



US00D818658S

(12) **United States Design Patent**  
**Pellereau et al.**

(10) **Patent No.:** **US D818,658 S**  
(45) **Date of Patent:** **\*\* May 22, 2018**

(54) **COMBINED BRUSH CLEANER AND DRYER SET**

FOREIGN PATENT DOCUMENTS

CN 304052646 \* 9/2016

(71) Applicant: **Aventom Ltd.**, Loughton, Essex (GB)

OTHER PUBLICATIONS

(72) Inventors: **Thomas Pellereau**, St. Albans (GB);  
**Lord Alan Michael Sugar**, St. Albans (GB)

StylPro Make Up Brush Cleaner posted by Sam McCauley Chemists posted date Sep. 22, 2016, © YouTube, [online], [site visited Jan. 3, 2018]. Available from Internet, <https://www.youtube.com/watch?v=sIWBO9KENpw> (Year: 2016).\*

(73) Assignee: **AVENTOM LTD**, Essex (GB)

Lux Makeup Brush Cleaner Tutorial posted by Luxe Support posted date Nov. 30, 2016, @ YouTube, [online], [site visited Jan. 3, 2018]. Available from Internet <https://www.youtube.com/watch?v=GPIdSELc3Xs> (Year: 2016).\*

(\*\*) Term: **15 Years**

Makeup Brush Cleaner posted by Akean © Amazon, [online], [site visited Jan. 3, 2018]. Available from Internet [https://www.amazon.com/Cleaner-Akean-Professional-Machine-Brushes/dp/B075HCC8NL/ref=cm\\_cr\\_arp\\_d\\_product\\_top?ie=UTF8](https://www.amazon.com/Cleaner-Akean-Professional-Machine-Brushes/dp/B075HCC8NL/ref=cm_cr_arp_d_product_top?ie=UTF8) (Year: 2017).\*

(21) Appl. No.: **29/588,939**

(22) Filed: **Dec. 25, 2016**

(51) **LOC (11) Cl.** ..... **07-05**

(52) **U.S. Cl.**

USPC ..... **D32/35**

(58) **Field of Classification Search**

USPC ..... D32/23, 35, 100, 1; D19/35, 108; D28/73; 510/10; 15/104; 134/115; 204/15; 132/29

CPC . B08B 11/02; A46B 2200/1053; A46B 17/06; A45D 44/00

See application file for complete search history.

(Continued)

*Primary Examiner* — Cynthia Ramirez

*Assistant Examiner* — Laura H Yu

(74) *Attorney, Agent, or Firm* — Inventa Capital PLC

(57) **CLAIM**

The ornamental design for a combined brush cleaner and dryer set, as shown and described.

**DESCRIPTION**

FIG. 1 is a perspective view of a combined brush cleaner and dryer set showing my new design;

FIG. 2 is a top view thereof;

FIG. 3 is a right side view thereof;

FIG. 4 is a left side view thereof;

FIG. 5 is a front side view thereof;

FIG. 6 is a rear side view thereof; and,

FIG. 7 is a bottom view thereof.

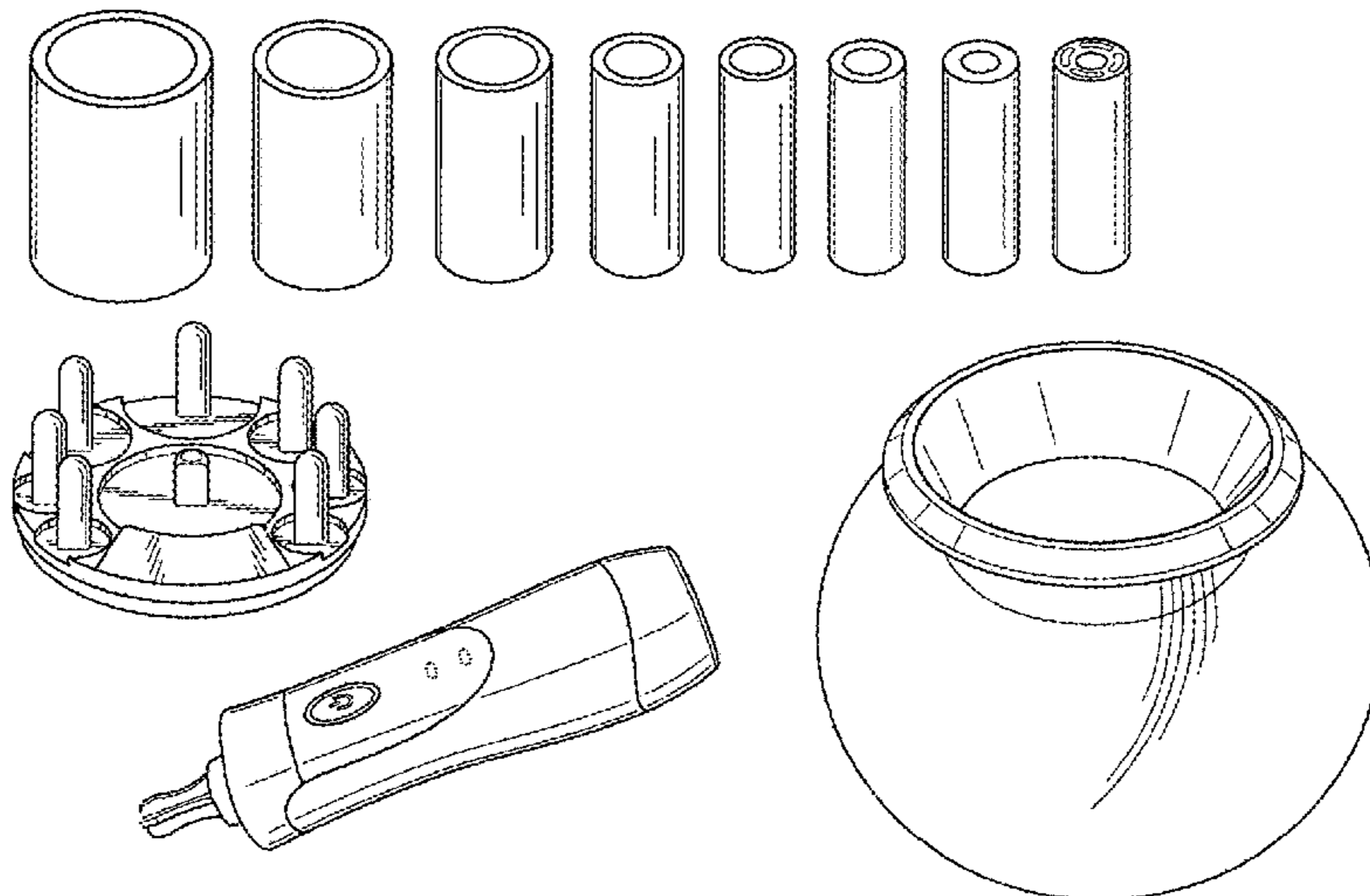
The broken lines in the drawings show portions of the combined brush cleaner and dryer set that form no part of the claimed design.

(56) **References Cited**

U.S. PATENT DOCUMENTS

D451,640 S *	12/2001	Adams	.....	D28/38
D454,982 S *	3/2002	Renfrew	.....	D28/61
D544,151 S *	6/2007	Kieren	.....	D28/73
D617,515 S *	6/2010	Dunn	.....	D32/35
8,689,974 B2 *	4/2014	Riad	.....	D06H 3/16
				206/278
D752,833 S *	3/2016	Espin	.....	D32/35
9,380,860 B1 *	7/2016	Taylor	.....	A46B 17/06
2014/0096801 A1 *	4/2014	McCormick	.....	B08B 11/02
				134/115 R
2017/0196340 A1 *	7/2017	Duru	.....	A45D 40/262

**1 Claim, 7 Drawing Sheets**



(56)

**References Cited**

OTHER PUBLICATIONS

Makeup Brush Cleaner posted by Mevolic review date Oct. 17, 2017 © Amazon, [online], [site visited Jan. 3, 2018]. Available from Internet [https://www.amazon.com/Mevolic-Cleaner-Machine-Completely-Rotation/dp/B0766LYKJC/ref=cm\\_cr\\_ar\\_p\\_d\\_product\\_top?ie=UTF8](https://www.amazon.com/Mevolic-Cleaner-Machine-Completely-Rotation/dp/B0766LYKJC/ref=cm_cr_ar_p_d_product_top?ie=UTF8) (Year: 2017).\*

\* cited by examiner

FIG. 1

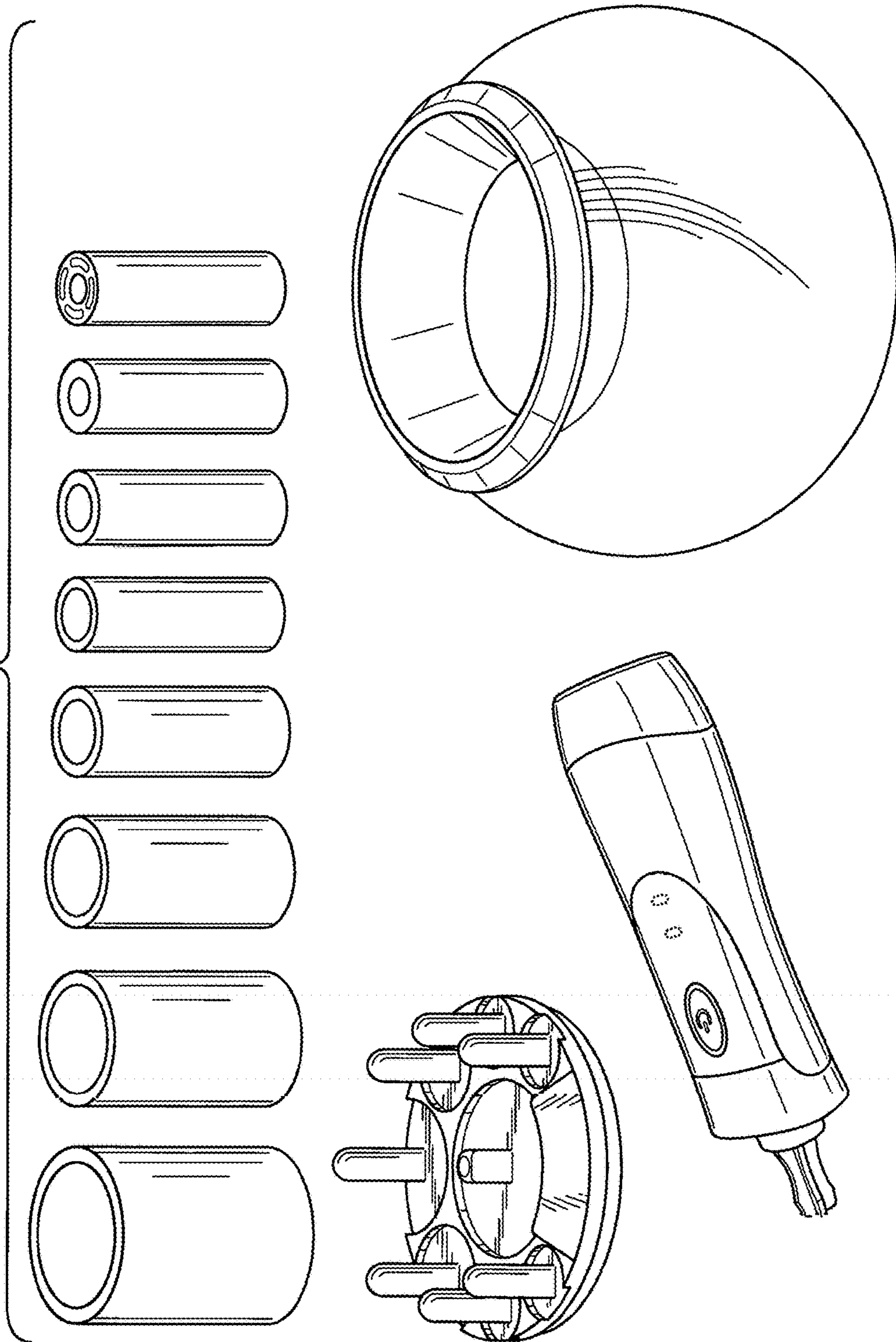




FIG. 2

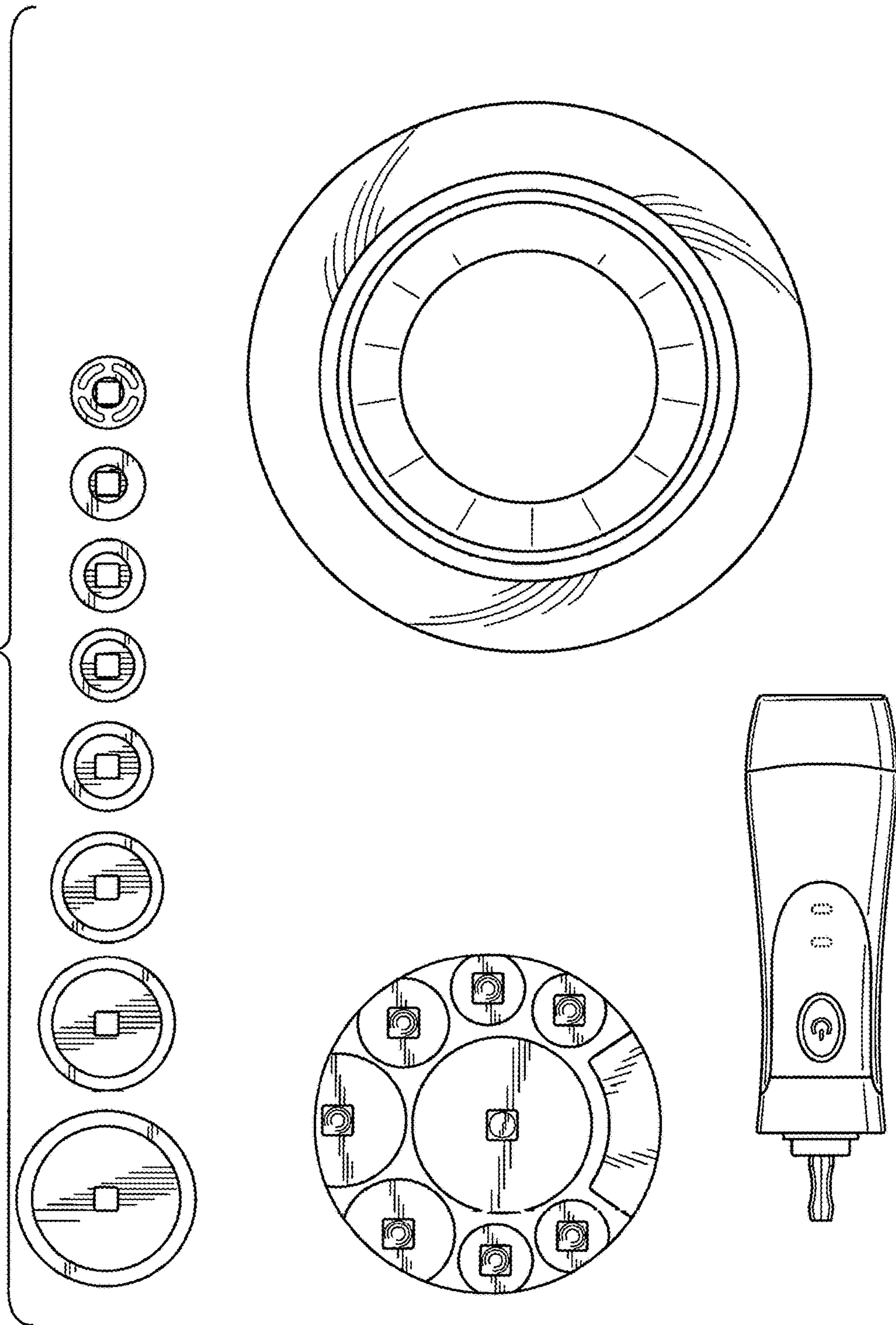


FIG. 3

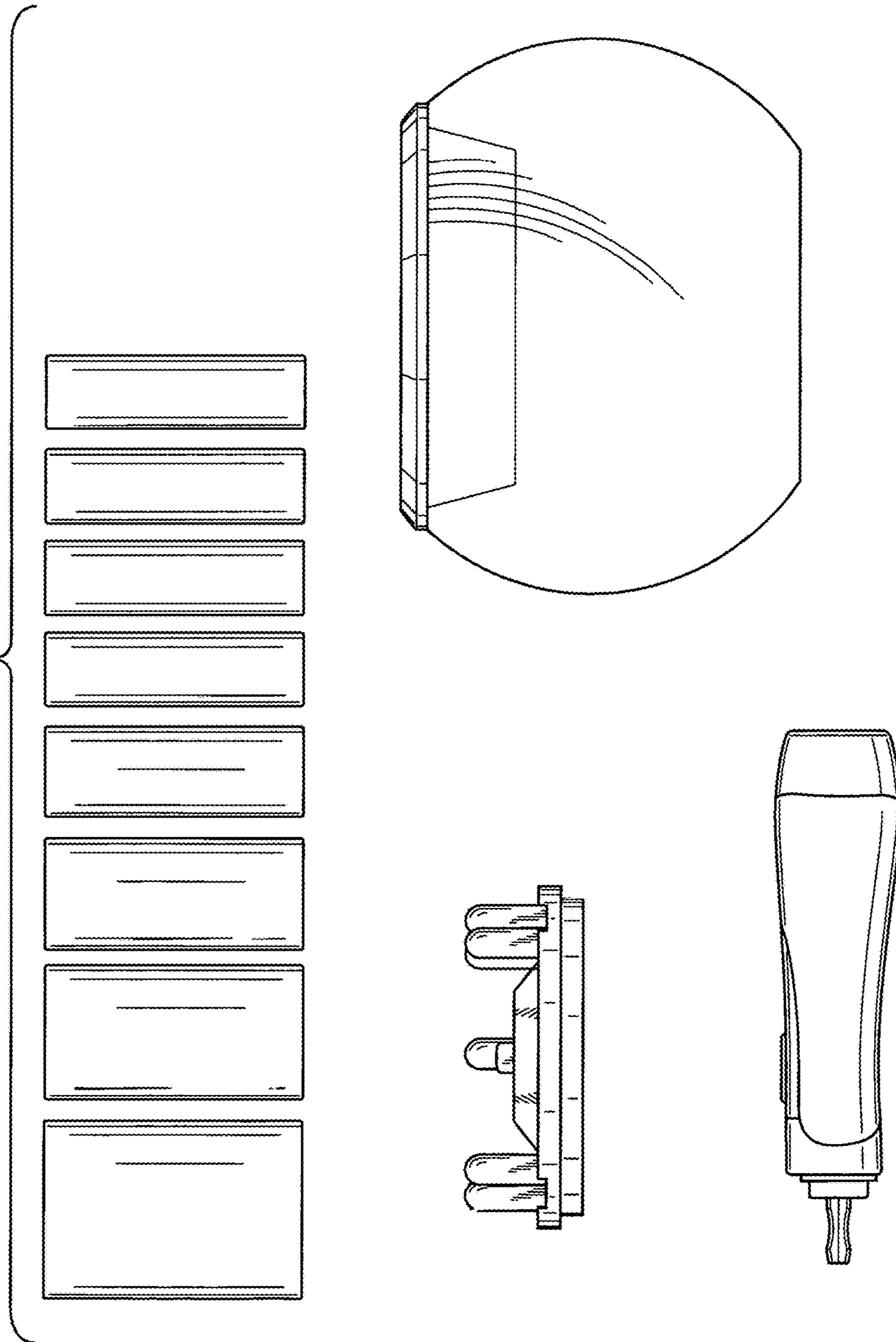


FIG. 4

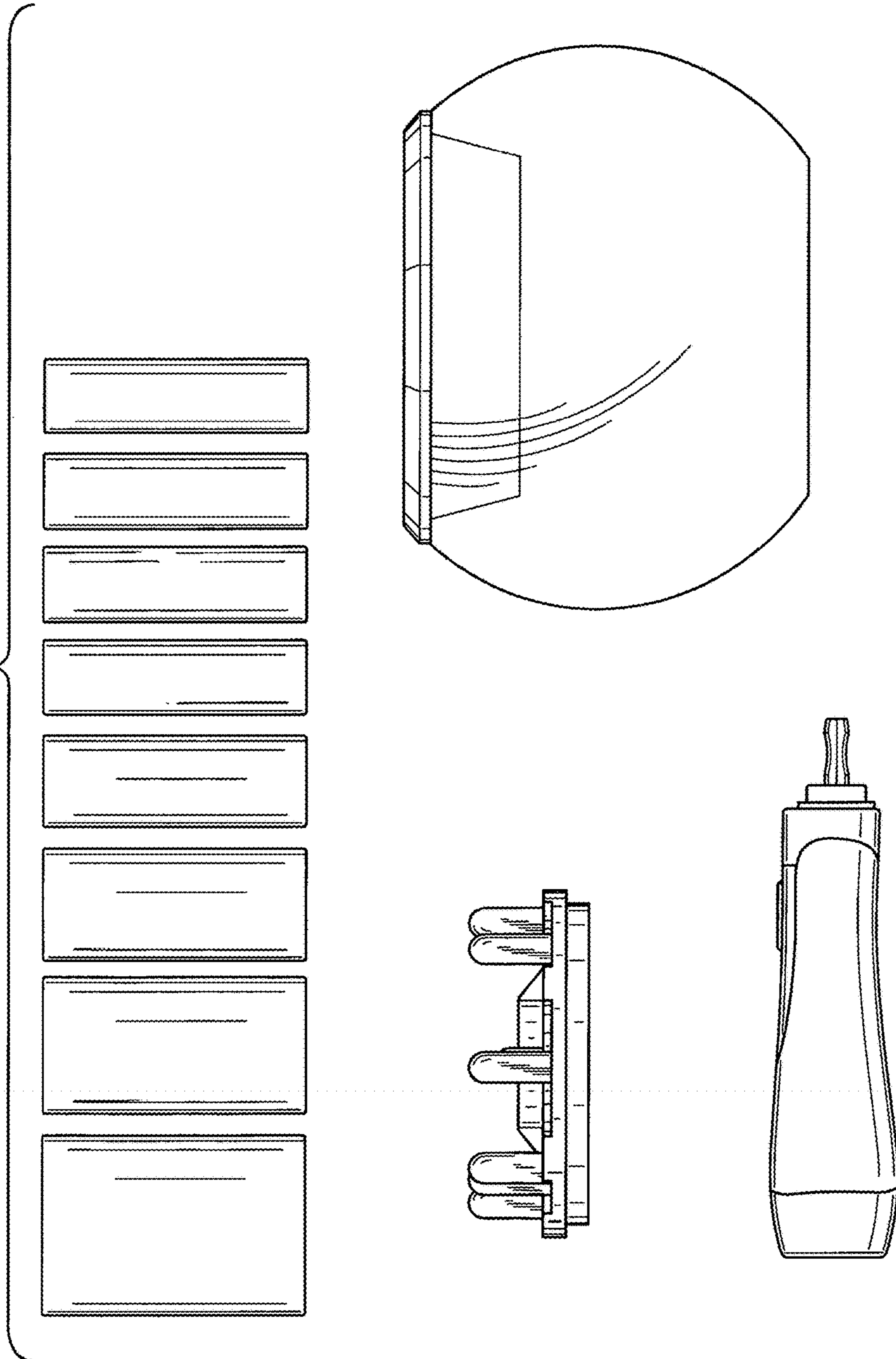


FIG. 5

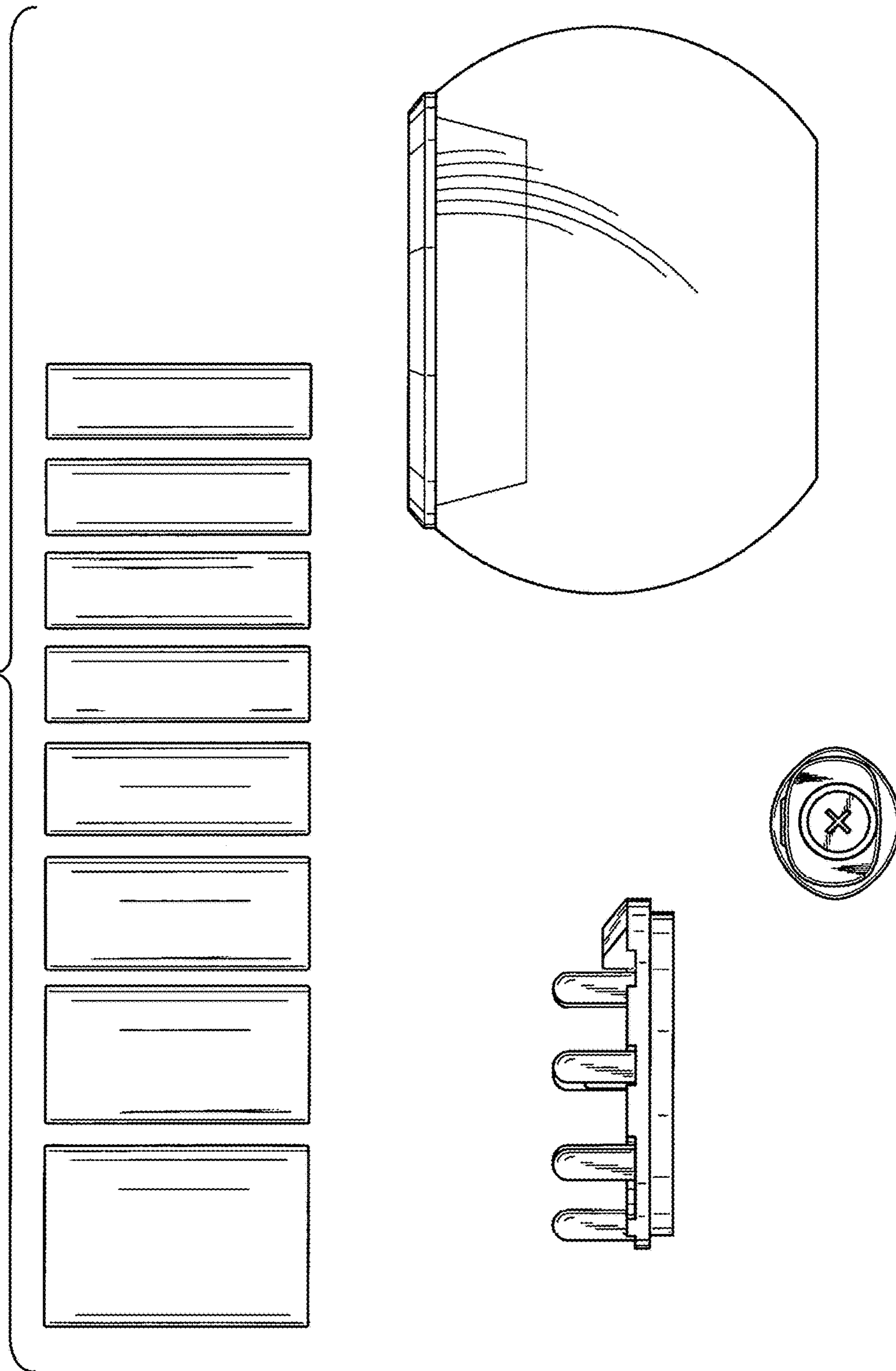


FIG. 6

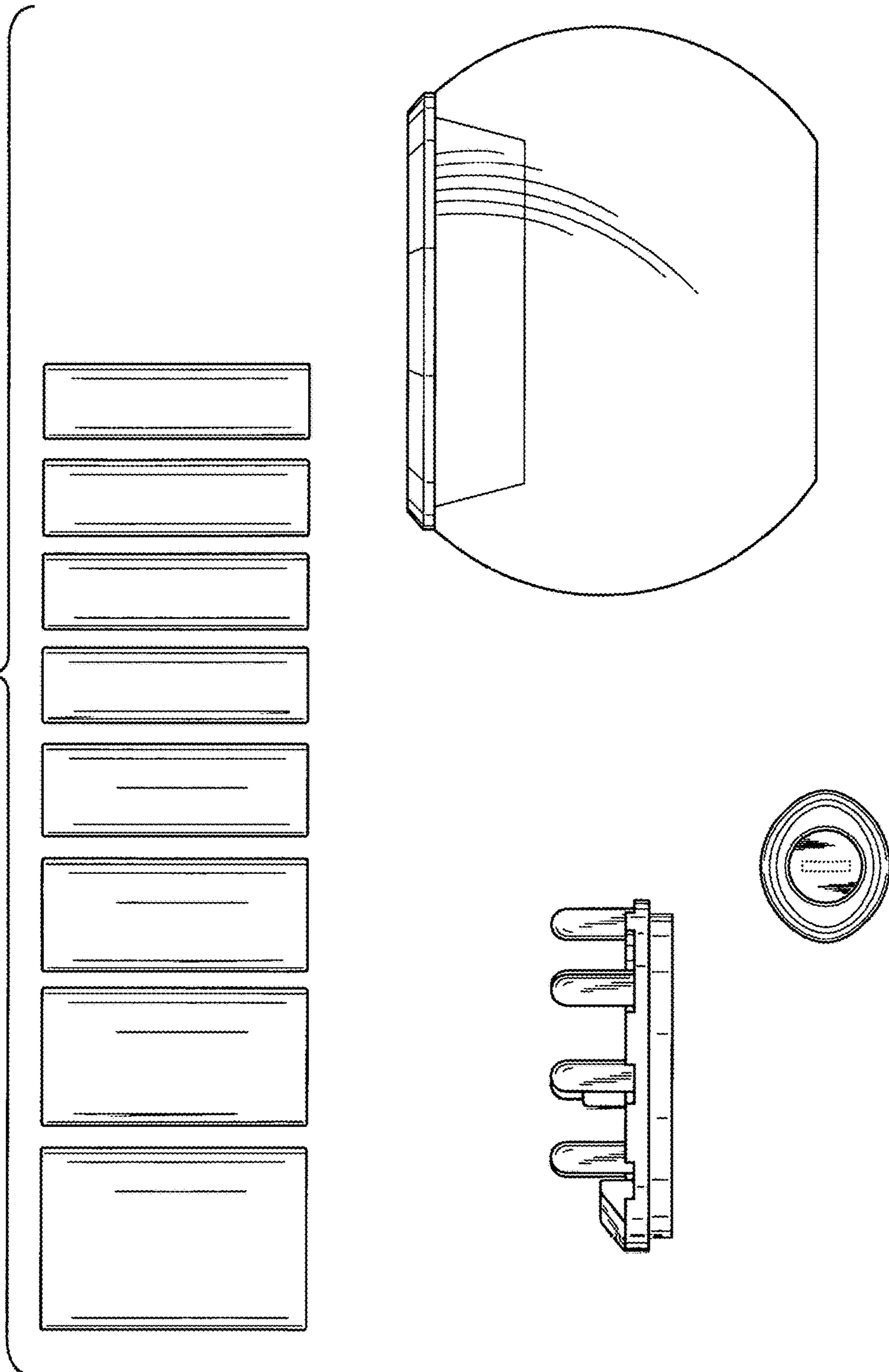




FIG. 7

