



US00D818657S

(12) **United States Design Patent** (10) **Patent No.:** **US D818,657 S**
Yoon et al. (45) **Date of Patent:** **** May 22, 2018**

(54) **VACUUM CLEANER**

(71) Applicant: **Samsung Electronics Co., Ltd.**,
Suwon-si (KR)

(72) Inventors: **Sanghun Yoon**, Seoul (KR);
Kyoungmin Lee, Goyang-si (KR);
Cheolyeon Jo, Seoul (KR); **Seokwoo Kim**, Seoul (KR)

(73) Assignee: **SAMSUNG ELECTRONICS CO., LTD.**, Suwon-si (KR)

(**) Term: **15 Years**

(21) Appl. No.: **29/548,280**

(22) Filed: **Dec. 11, 2015**

(30) **Foreign Application Priority Data**

Jun. 11, 2015 (KR) 30-2015-0029320

(51) **LOC (11) Cl.** **15-05**

(52) **U.S. Cl.**
USPC **D32/31**

(58) **Field of Classification Search**
USPC D32/17-18, 21-22, 31, 34
CPC A47L 5/24; A47L 5/28; A47L 5/34; A47L
5/362; A47L 5/36; A47L 11/34; A47L
9/325; A47L 9/20; A47L 9/02; A47L
9/32; A47L 9/322; A47L 9/327; A47L
7/0038
See application file for complete search history.

(56) **References Cited**

U.S. PATENT DOCUMENTS

D301,646 S *	6/1989	Yamamoto	D32/18
D305,167 S *	12/1989	Case	D32/18
D326,169 S *	5/1992	Stutzer	D32/18
D401,021 S *	11/1998	Stephens	D32/18

D404,857 S *	1/1999	Ng	D32/18
D448,894 S *	10/2001	Yuen	D32/18
D480,845 S *	10/2003	Ki	D32/18
D483,533 S *	12/2003	Ki	D32/18
D489,849 S *	5/2004	Ki	D32/18
D515,258 S *	2/2006	Robson	D32/18
D565,811 S *	4/2008	Fjellman	D32/18
D565,812 S *	4/2008	Fjellman	D32/18
D608,063 S *	1/2010	Okuda	D32/18
D608,511 S *	1/2010	Okuda	D32/18
D660,527 S *	5/2012	Kawase	D32/18
D660,528 S *	5/2012	Okuda	D32/18

FOREIGN PATENT DOCUMENTS

CN	3174177	1/2001
EM	002264424-0007	7/2013
EM	002495978-0003	7/2014

* cited by examiner

Primary Examiner — Ruth McInroy

(74) *Attorney, Agent, or Firm* — McAndrews Held & Malloy, Ltd.

(57) **CLAIM**

The ornamental design for a vacuum cleaner, as shown and described.

DESCRIPTION

FIG. 1 is a front perspective view of a vacuum cleaner showing our new design;
 FIG. 2 is a front elevation view thereof;
 FIG. 3 is a rear elevation view thereof;
 FIG. 4 is a left-side elevation view thereof;
 FIG. 5 is a right-side elevation view thereof;
 FIG. 6 is a top plan view thereof;
 FIG. 7 is a bottom plan view thereof; and,
 FIG. 8 is a rear perspective view thereof.
 The broken lines in the drawings illustrate portions of the vacuum cleaner that form no part of the claimed design.

1 Claim, 8 Drawing Sheets

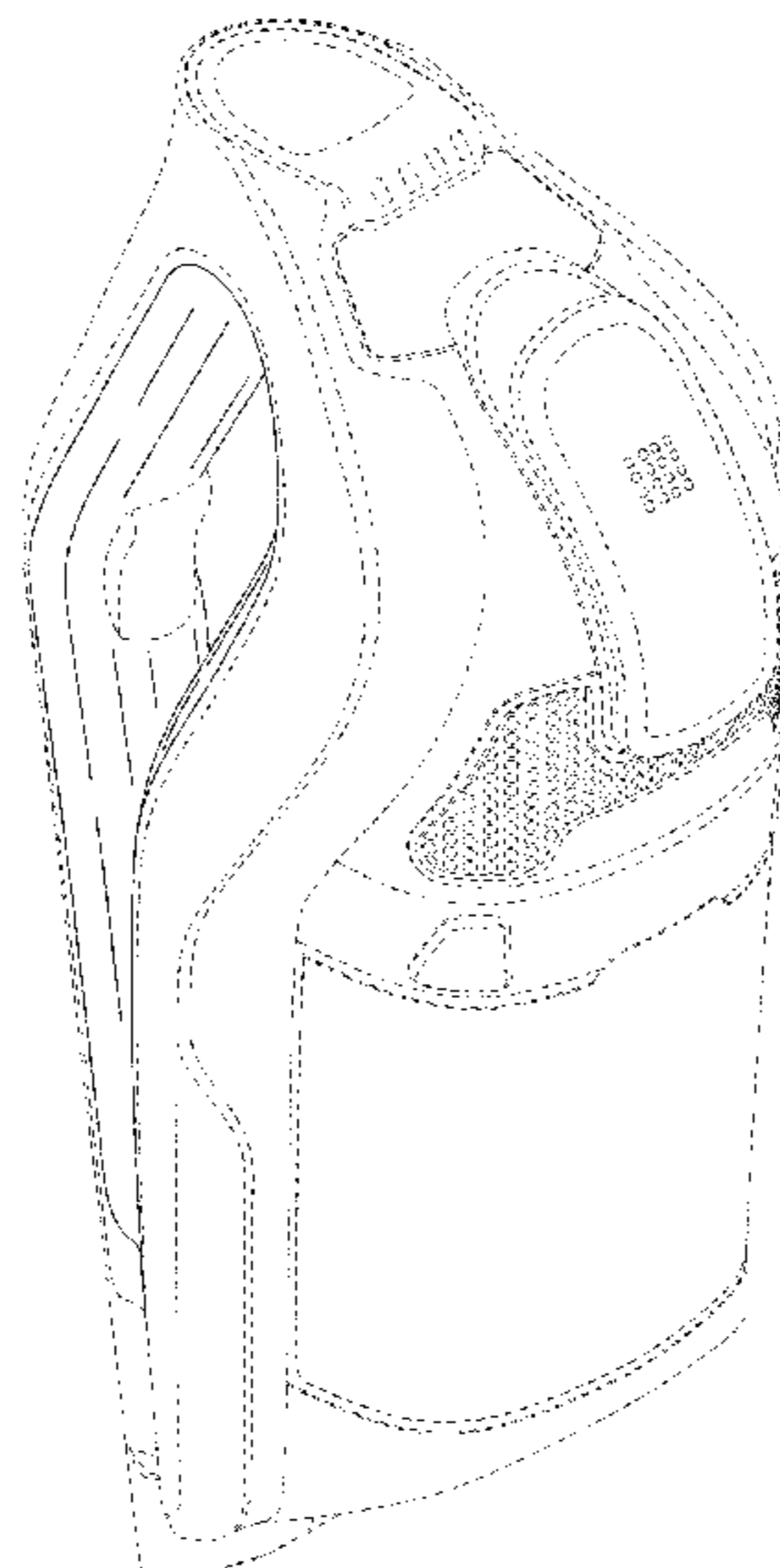


FIG. 1

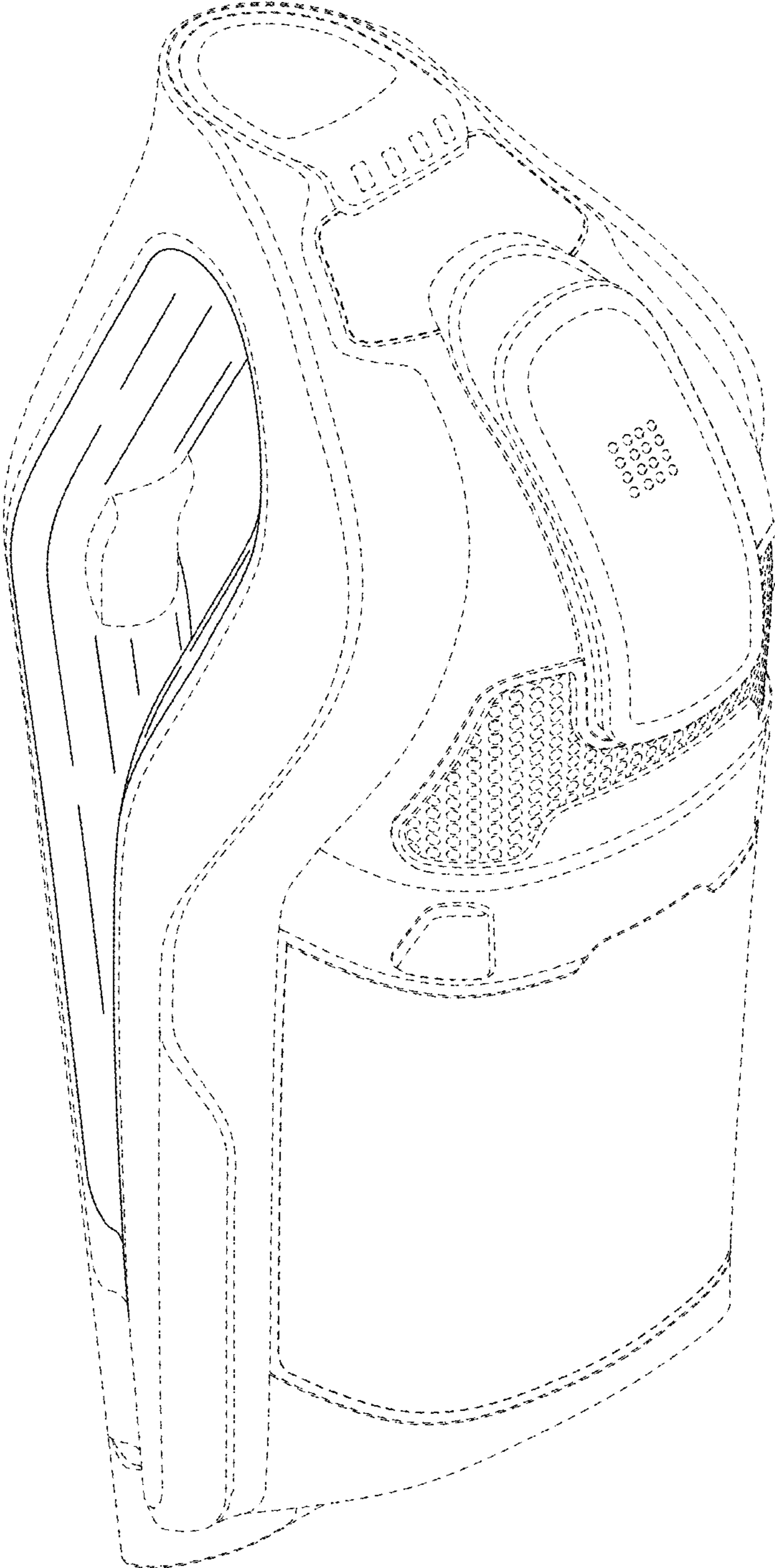


FIG. 2

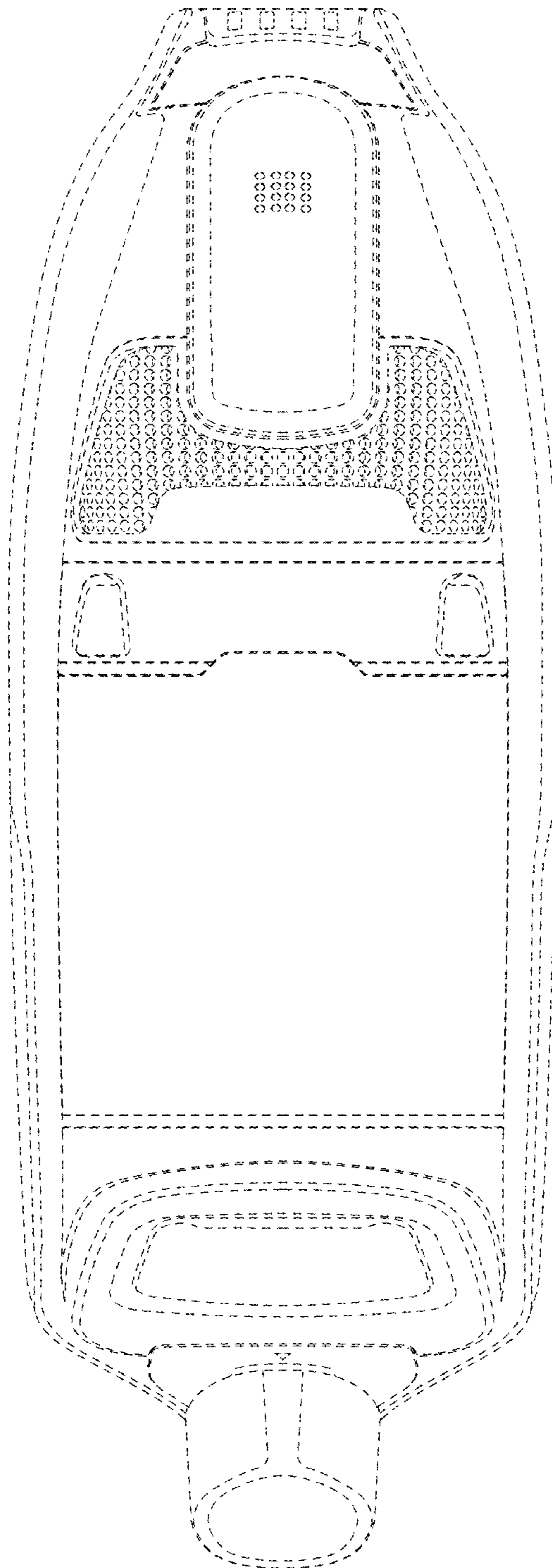


FIG. 3

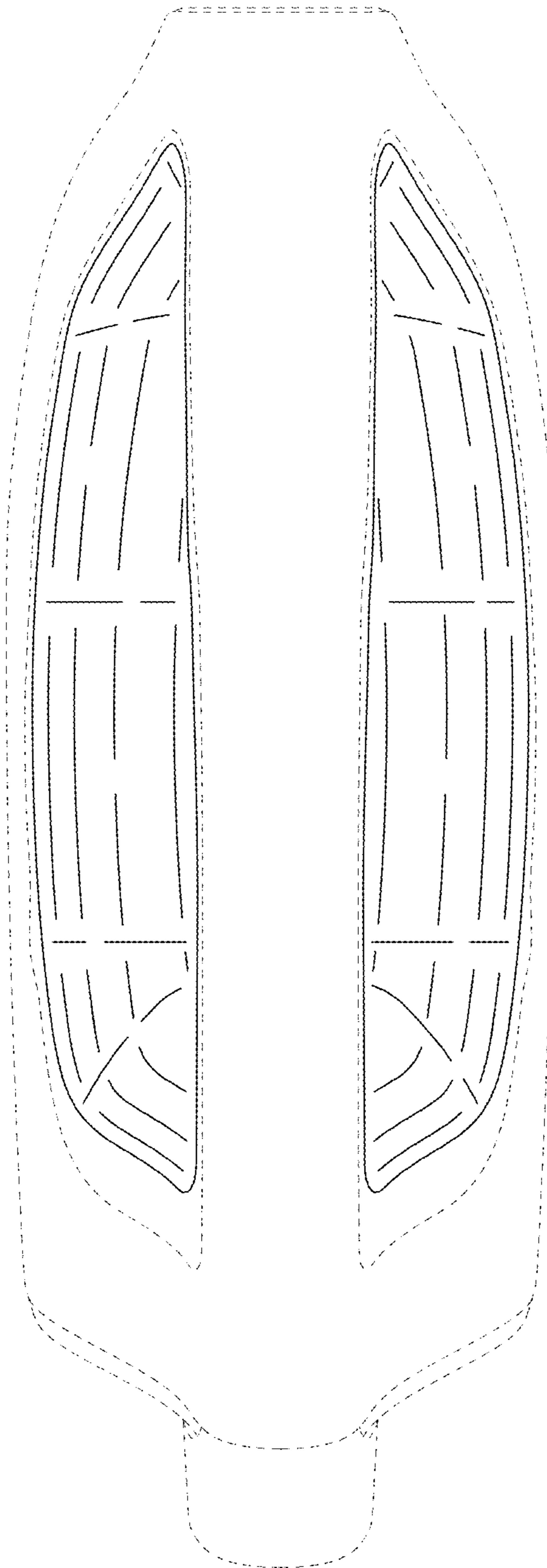


FIG. 4

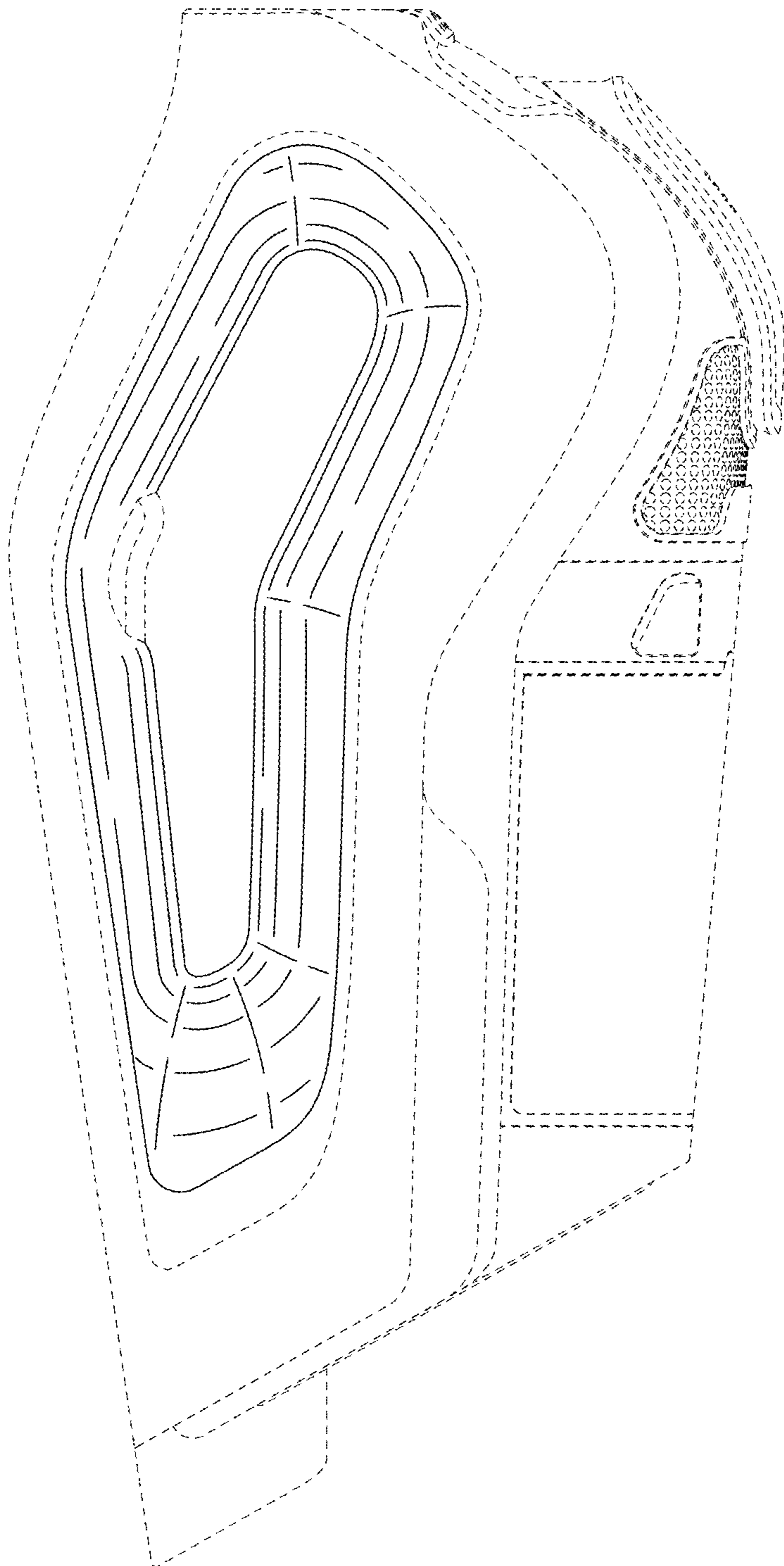


FIG. 5

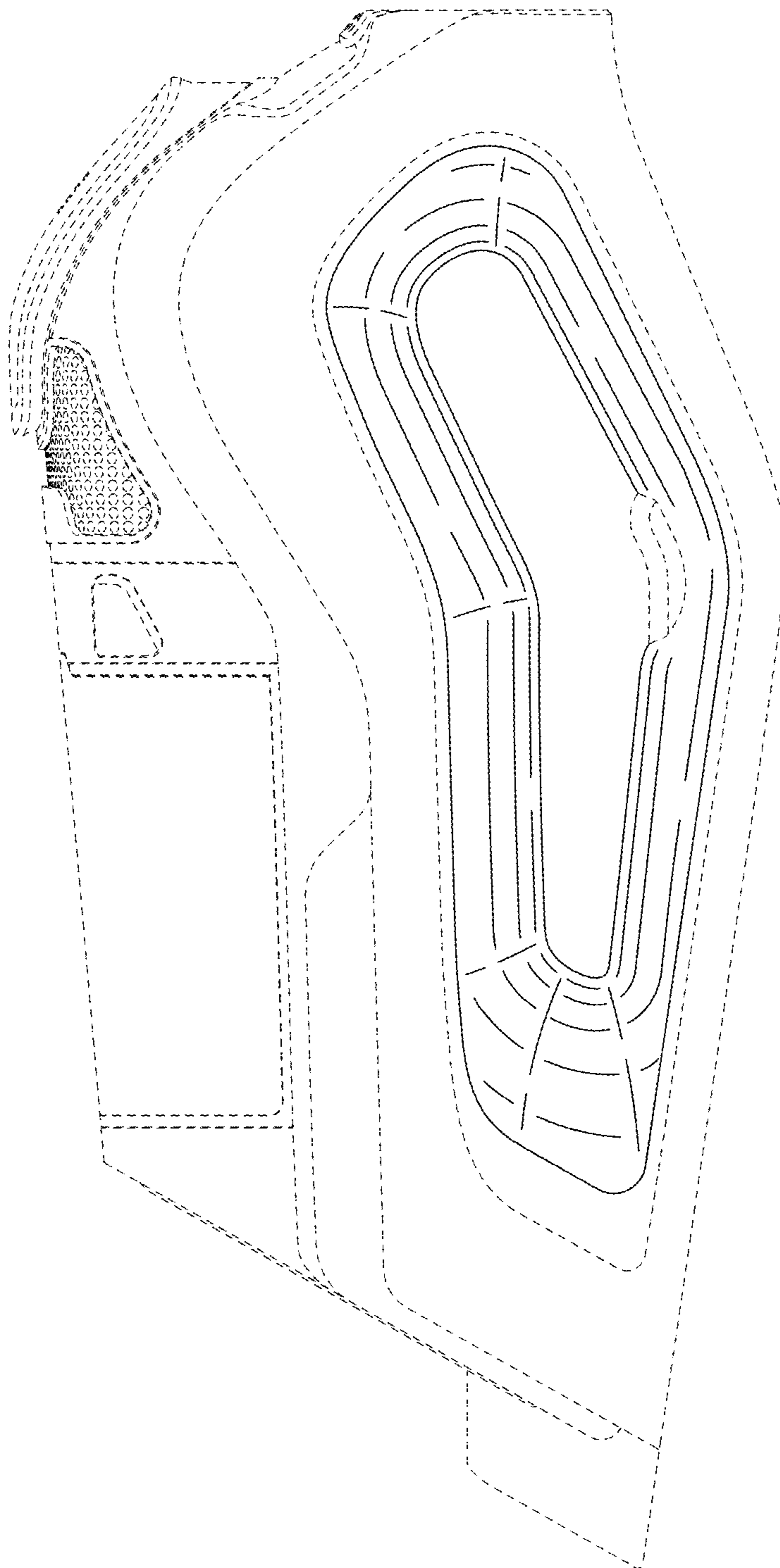


FIG. 6

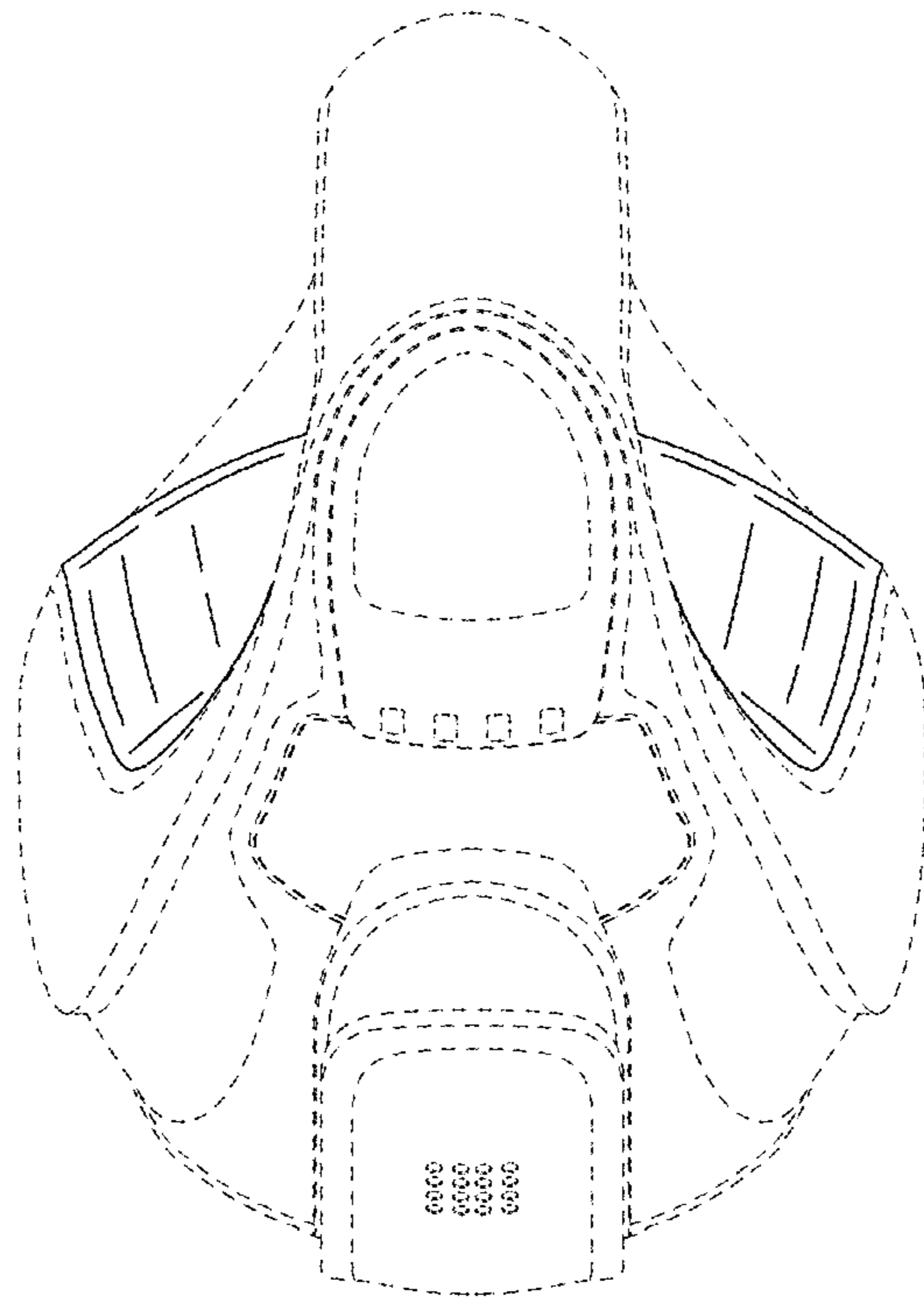


FIG. 7

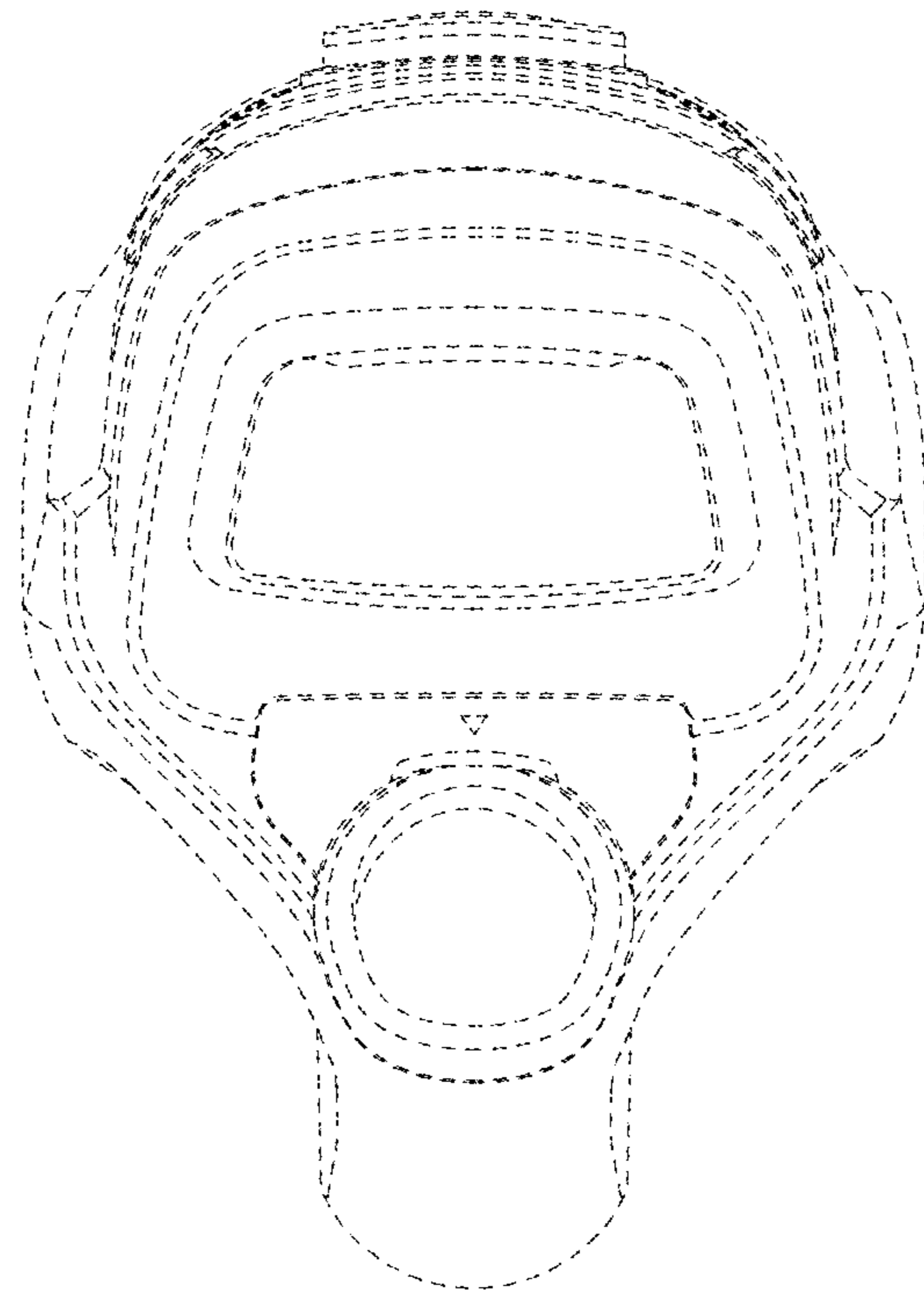


FIG. 8

