



US00D818656S

(12) **United States Design Patent** (10) **Patent No.:** **US D818,656 S**
Roberson (45) **Date of Patent:** **** May 22, 2018**

- (54) **DISHWASHER BAR HANDLE**
- (71) Applicant: **BSH Home Appliances Corporation**, Irvine, CA (US)
- (72) Inventor: **Lindsay Roberson**, Durham, NC (US)
- (73) Assignee: **BSH Home Appliances Corporation**, Irvine, CA (US)
- (**) Term: **15 Years**
- (21) Appl. No.: **29/562,273**
- (22) Filed: **Apr. 25, 2016**

Related U.S. Application Data

- (62) Division of application No. 29/524,049, filed on Apr. 16, 2015, now Pat. No. Des. 763,522, which is a division of application No. 29/462,377, filed on Aug. 2, 2013, now Pat. No. Des. 732,249.
- (51) **LOC (11) Cl.** **15-05**
- (52) **U.S. Cl.**
USPC **D32/3**
- (58) **Field of Classification Search**
USPC D32/1-3, 6, 25, 28-29, 34; D8/300-303, D8/305-321; D7/393-394, 405, 402
CPC A47L 15/50
See application file for complete search history.

(56) **References Cited**

U.S. PATENT DOCUMENTS

D458,422 S *	6/2002	Richardson	D32/2
D493,016 S *	7/2004	Kaczmarek	D32/3
D511,870 S *	11/2005	Paik	D32/2
D564,836 S *	3/2008	Crookshanks	D7/405
D572,109 S *	7/2008	Busalt	D8/316
D572,110 S *	7/2008	Busalt	D8/316
D587,067 S *	2/2009	Kim	D7/402
D610,594 S *	2/2010	Martin	D15/89
D612,681 S *	3/2010	Baker	D7/405
D646,141 S *	10/2011	Jeon, II	D8/316

D654,310 S *	2/2012	Benold	D7/402
D692,629 S *	10/2013	Eng	D32/3
D730,593 S *	5/2015	Eng	D32/3
D732,249 S *	6/2015	Roberson	D32/3
D741,683 S *	10/2015	Park	D8/319
D758,827 S *	6/2016	Grasselli	D8/315
D763,522 S *	8/2016	Roberson	D32/3

(Continued)

FOREIGN PATENT DOCUMENTS

KR	300432230.0000	*	11/2016
RU	00077577	*	2/2011

OTHER PUBLICATIONS

Bosch SHX88PW55N Fully Integrated Dishwasher, website 2017, <https://www.ajmadison.com/cgi-bin/ajmadison/SHX88PW55N.html>, site visited Dec. 28, 2017.*

Primary Examiner — John Windmuller
Assistant Examiner — John R Yeh
(74) *Attorney, Agent, or Firm* — Michael E. Tschupp; Andre Pallapies; Brandon G. Braun

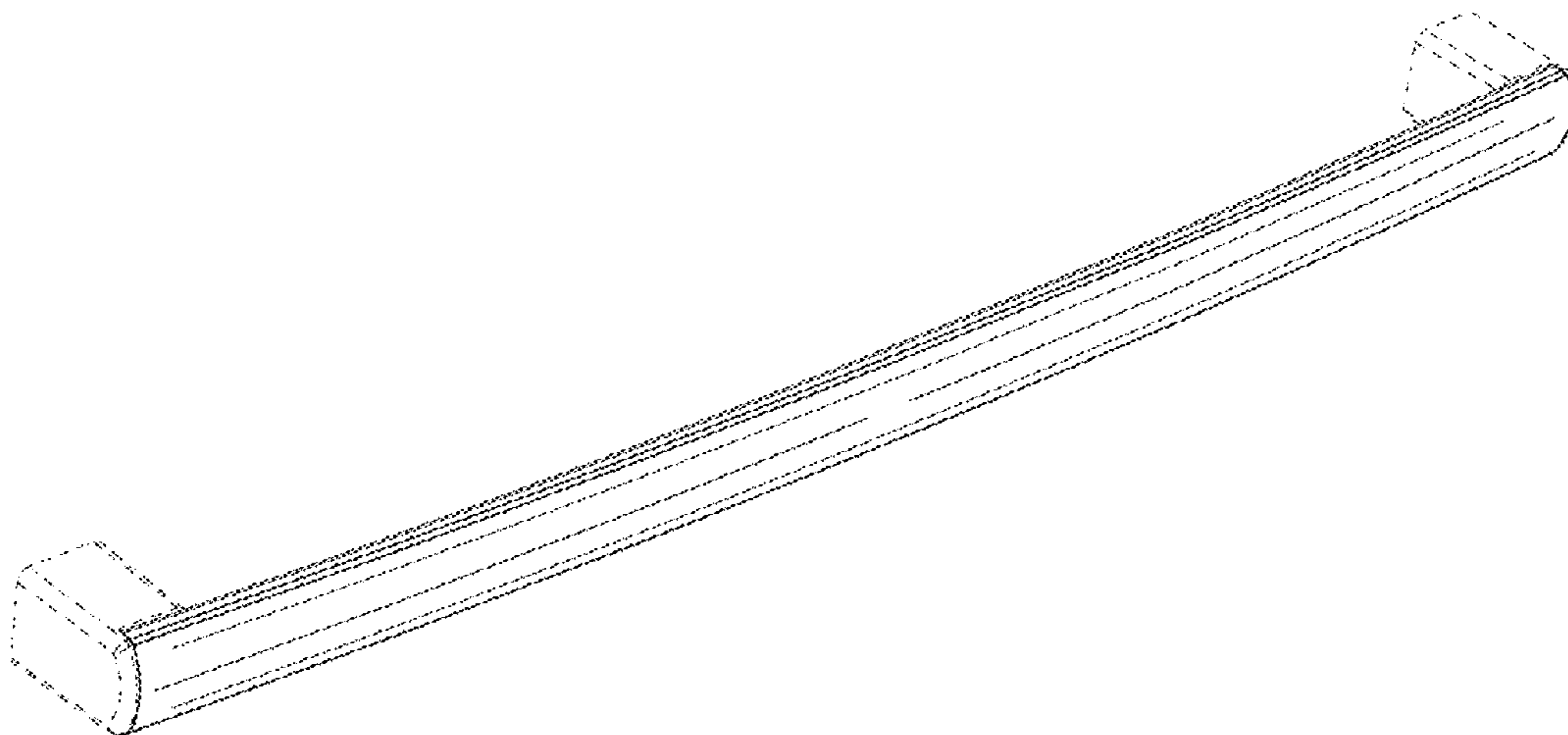
(57) **CLAIM**

The ornamental design for a dishwasher bar handle, as shown and described.

DESCRIPTION

FIG. 1 is a front perspective view of a dishwasher bar handle according to my new ornamental design;
FIG. 2 a top view thereof, with the bottom view being a mirror image thereof;
FIG. 3 is a front view thereof;
FIG. 4 is a rear view thereof; and,
FIG. 5 is a right side view thereof, with the left side view thereof being a mirror image thereof.
The broken lines of the dishwasher bar handle indicate surrounding environment or structure and do not form a part of the claimed design.

1 Claim, 2 Drawing Sheets



(56)

References Cited

U.S. PATENT DOCUMENTS

D763,654 S *	8/2016	Chung	D8/315
D763,656 S *	8/2016	Lee	D8/317
D764,230 S *	8/2016	Shoemaker	D7/405
D764,890 S *	8/2016	Shoemaker	D15/89
D773,920 S *	12/2016	Funnell, II	D8/315
D781,641 S *	3/2017	Incukur	D7/393
D781,642 S *	3/2017	Incukur	D7/393
D791,418 S *	7/2017	Warren	D32/3
D792,752 S *	7/2017	Chung	D8/315

* cited by examiner

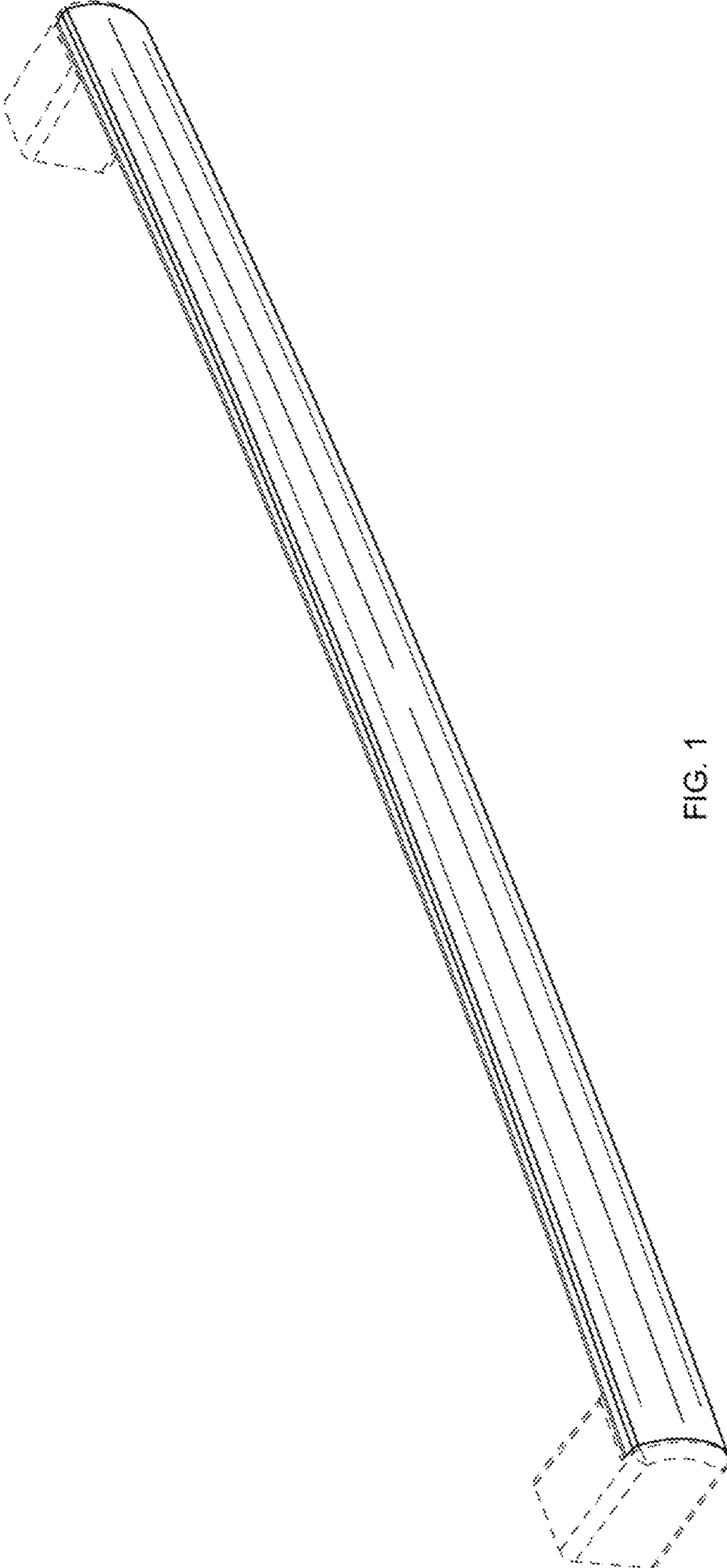


FIG. 1

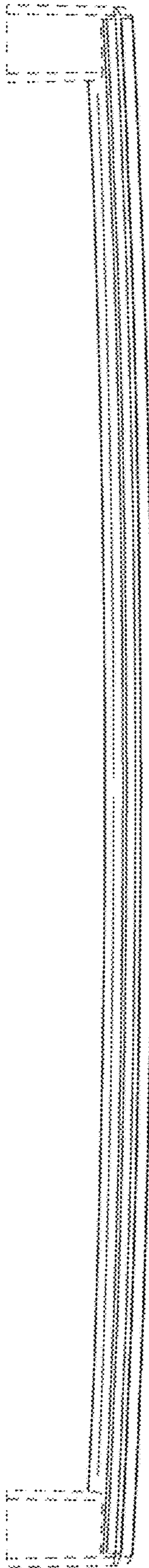


FIG. 2

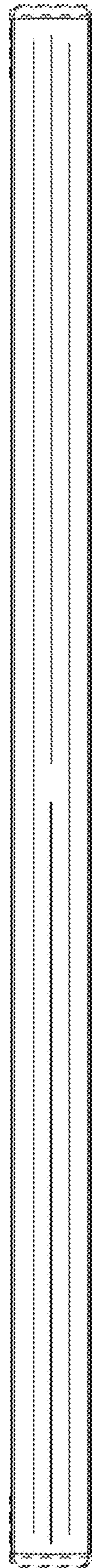


FIG. 3

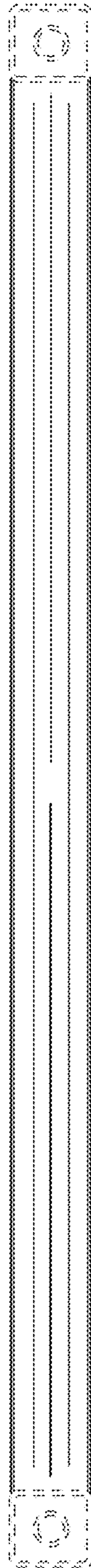


FIG. 4



FIG. 5