



US00D818652S

(12) **United States Design Patent** (10) **Patent No.:** **US D818,652 S**
Song (45) **Date of Patent:** **** May 22, 2018**

(54) **PET BED**
(71) Applicant: **Worldwise, Inc.**, Novato, CA (US)
(72) Inventor: **Wonjung Song**, San Francisco, CA (US)
(73) Assignee: **Worldwise, Inc.**, Novato, CA (US)
(**) Term: **15 Years**
(21) Appl. No.: **29/574,814**
(22) Filed: **Aug. 18, 2016**
(51) **LOC (11) Cl.** **30-01**
(52) **U.S. Cl.**
USPC **D30/118**; D6/601
(58) **Field of Classification Search**
USPC D30/118, 117, 108; D6/390, 349, 596,
D6/601, 604, 605, 583, 381; D28/8.1;
119/28.5
CPC A01K 1/0353; A01K 1/035; A01K 1/034;
A01K 1/033; A01K 1/03
See application file for complete search history.

(56) **References Cited**
U.S. PATENT DOCUMENTS
D239,424 S * 4/1976 Offredi D6/381
3,989,008 A * 11/1976 Neumann A01K 1/0353
119/28.5
5,588,393 A * 12/1996 Heilborn A01K 1/0353
119/28.5
5,784,995 A * 7/1998 Willinger A01K 1/0353
119/28.5
D432,808 S * 10/2000 Binder D6/381
D563,058 S * 2/2008 Lamstein D30/118
8,316,482 B1 * 11/2012 Martin A47C 29/00
5/655
D703,877 S * 4/2014 Popkin D30/118
D725,832 S * 3/2015 Coulter D30/118

2008/0127898 A1* 6/2008 Morse A01K 1/0353
119/28.5
2014/0230735 A1* 8/2014 Coulter A01K 1/0353
119/28.5
2017/0258036 A1* 9/2017 Galloway A01K 1/0353

OTHER PUBLICATIONS

HappyCare Textiles Reversible Rectangle Dog & Cat Bed, announced Jun. 4, 2017 [online], [site visited Jan. 17, 2018] Available from Internet URL: <<https://www.chewy.com/happycare-textiles-reversible/dp/149169>>.*
Harmony Grey Cuddler Memory Foam Dog Bed, announced Jan. 2017 [online], [site visited Jan. 17, 2018] Available from Internet URL: <<https://www.petco.com/shop/en/petcostore/product/dog-dog-beds-and-bedding/harmony-grey-cuddler-memory-foam-dog-bed>>.*
TrustyPup Dog Beds and Toys, announced Jun. 25, 2017 [online], [site visited Jan. 17, 2018] Available from Internet URL: <<http://www.tiffanyreviews.com/2017/06/25/trustypup/>>.*

(Continued)

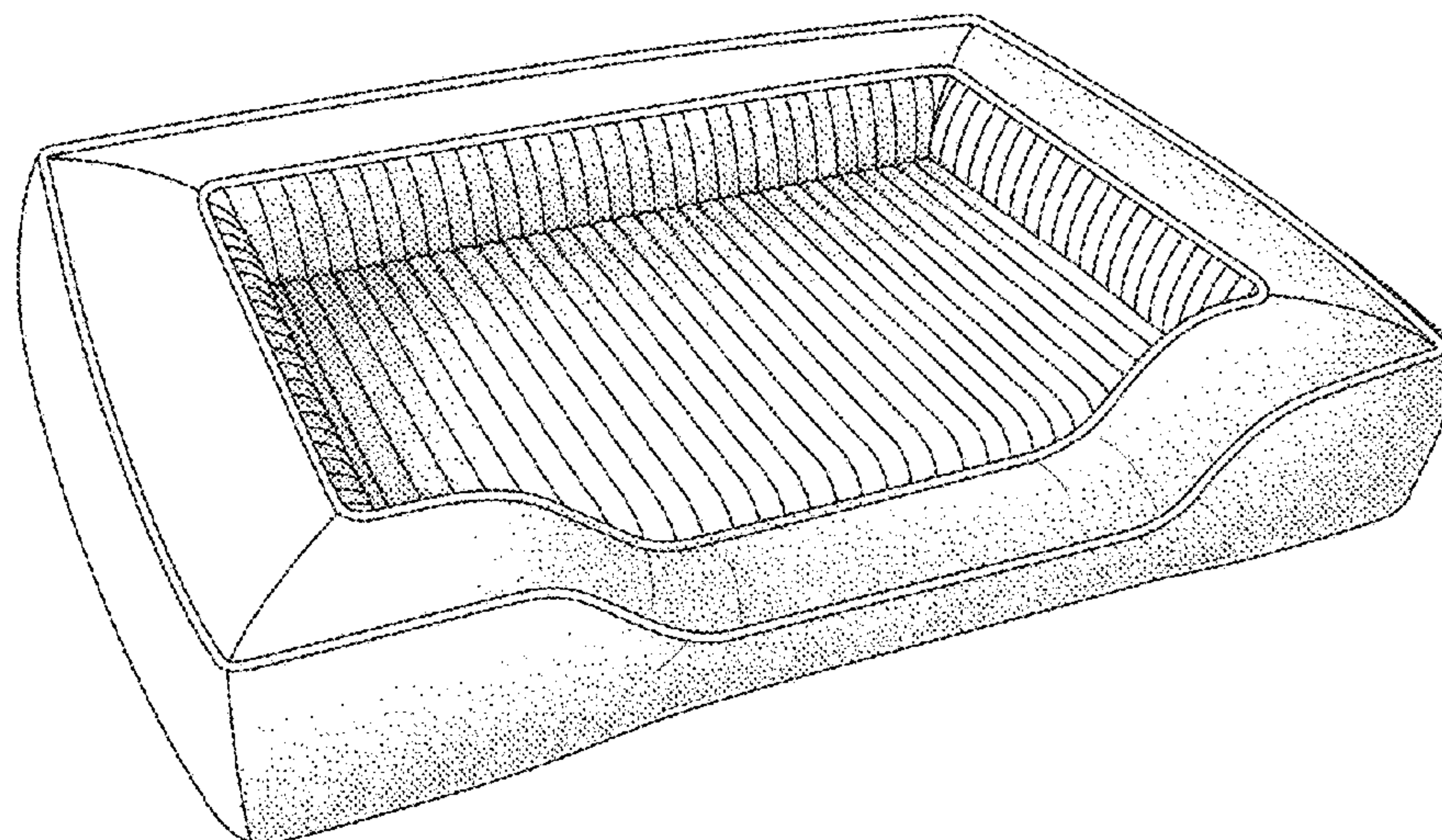
Primary Examiner — Barbara Fox
Assistant Examiner — Mary C Ramirez
(74) *Attorney, Agent, or Firm* — Bay Area Technology Law Group PC

(57) **CLAIM**
The ornamental design for a pet bed, as shown and described.

DESCRIPTION

FIG. 1 is a perspective view of a pet bed showing my new design;
FIG. 2 is a top view of FIG. 1;
FIG. 3 is a bottom view of FIG. 1;
FIG. 4 is a front view of FIG. 1;
FIG. 5 is a back view of FIG. 1;
FIG. 6 is a left side view of FIG. 1; and,
FIG. 7 is a right side view of FIG. 1.

1 Claim, 3 Drawing Sheets



(56)

References Cited

OTHER PUBLICATIONS

DMC Chopped Memory Foam Couch Pet Bed, announced Aug. 2017 [online], [site visited Jan. 17, 2018] Available from Internet URL: <<https://www.samsclub.com/sams/chopped-mem-foam-bed-28x40x3-5-brown/prod21220104.ip>>.*

Pepper Dog Sofa, announced 2018 [online], [site visited Jan. 17, 2018] Available from Internet URL: <<https://www.wayfair.com/pet/pdp/chapter-3-inc-pepper-dog-sofa-chpc1014.html>>.*

* cited by examiner

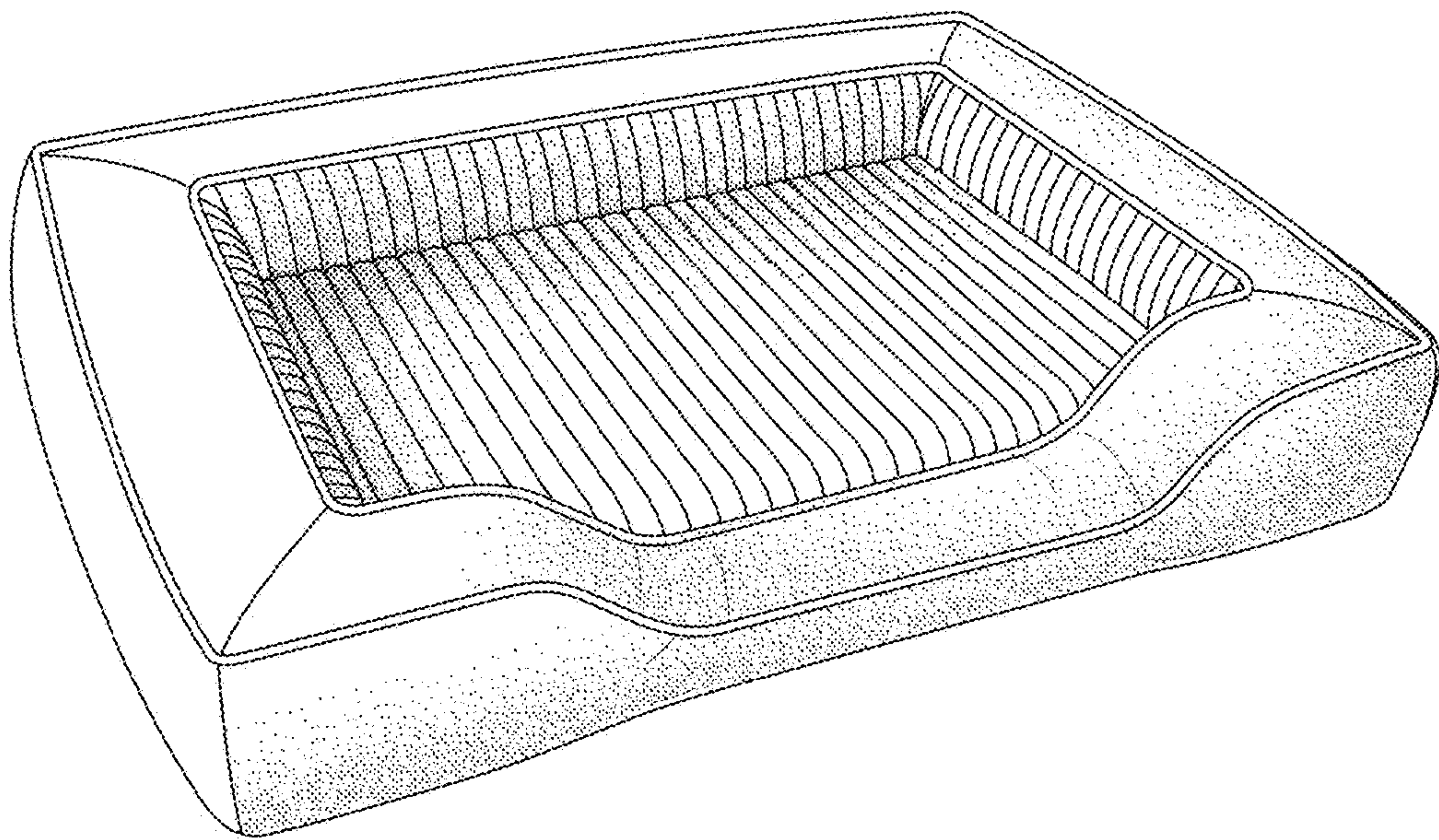


FIG. 1

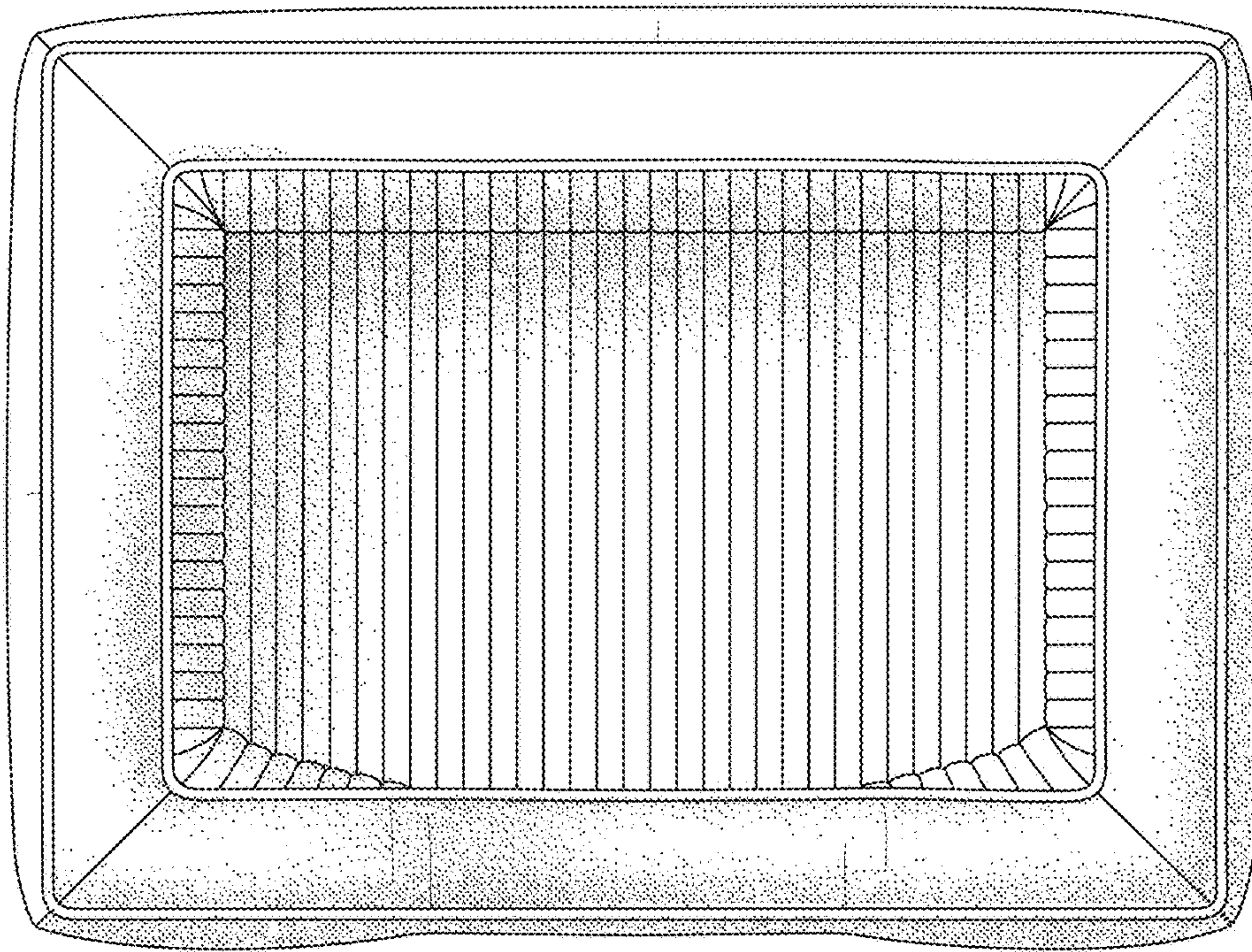


FIG. 2

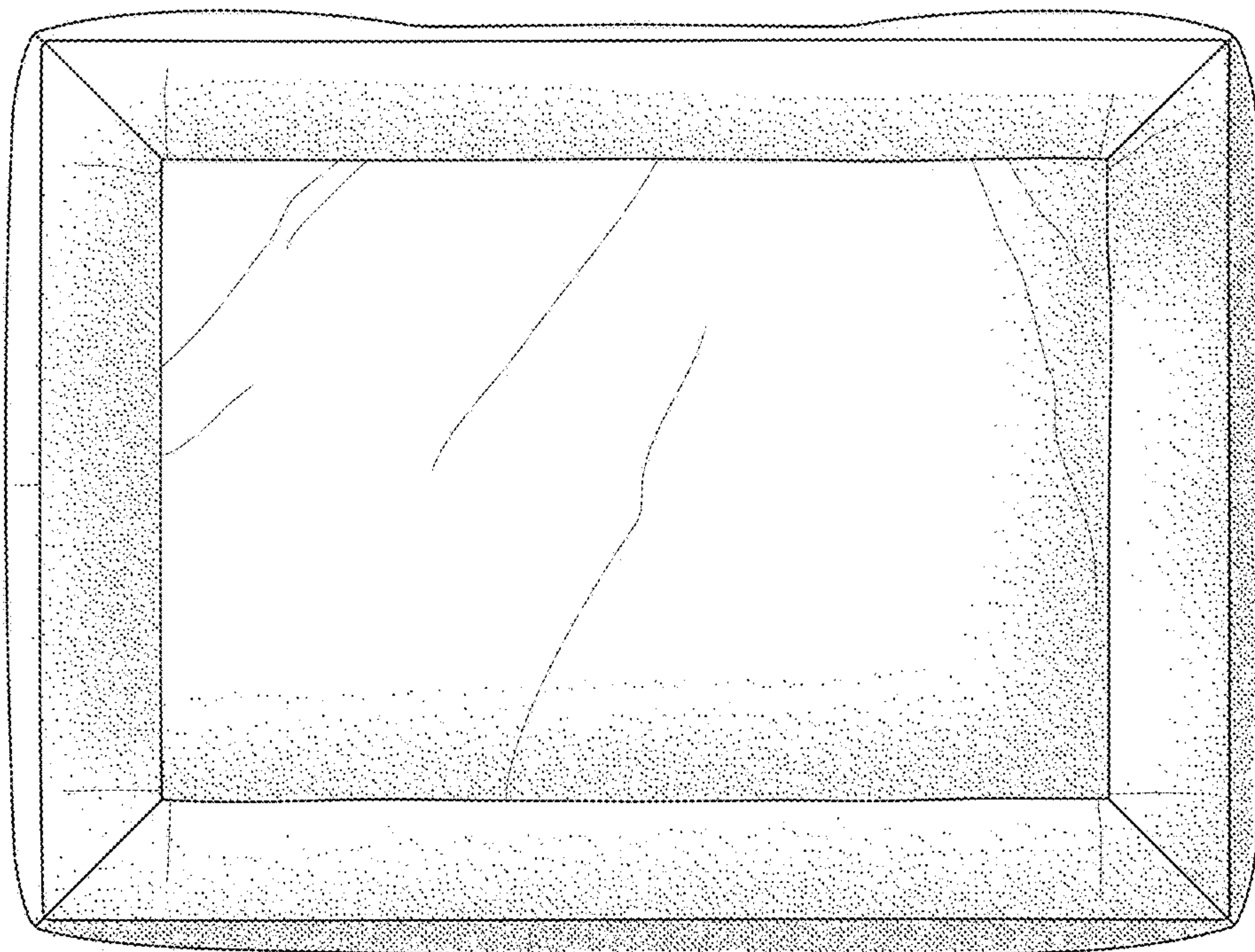


FIG. 3

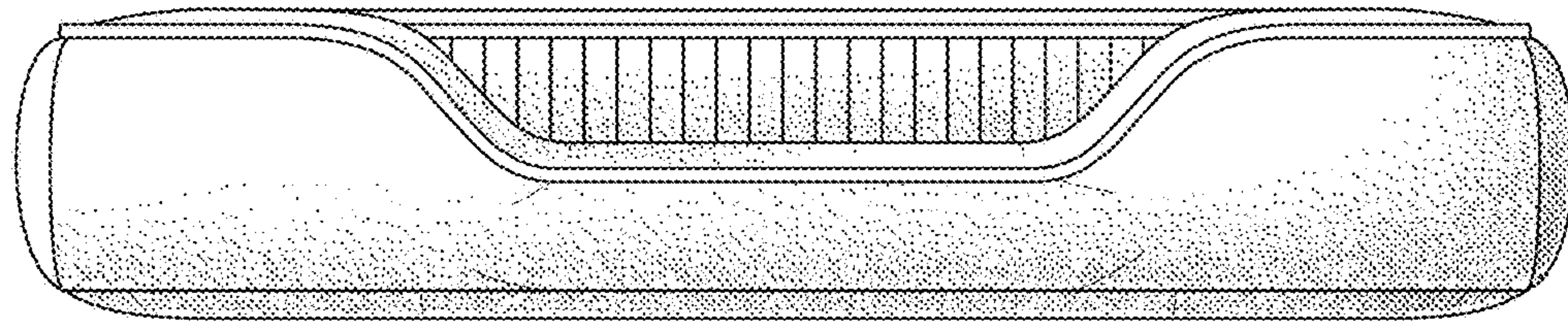


FIG. 4

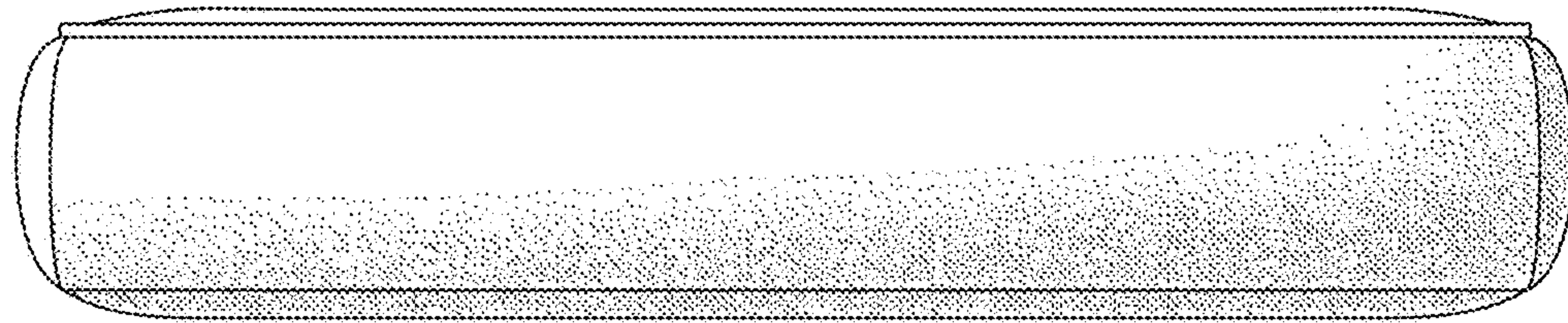


FIG. 5

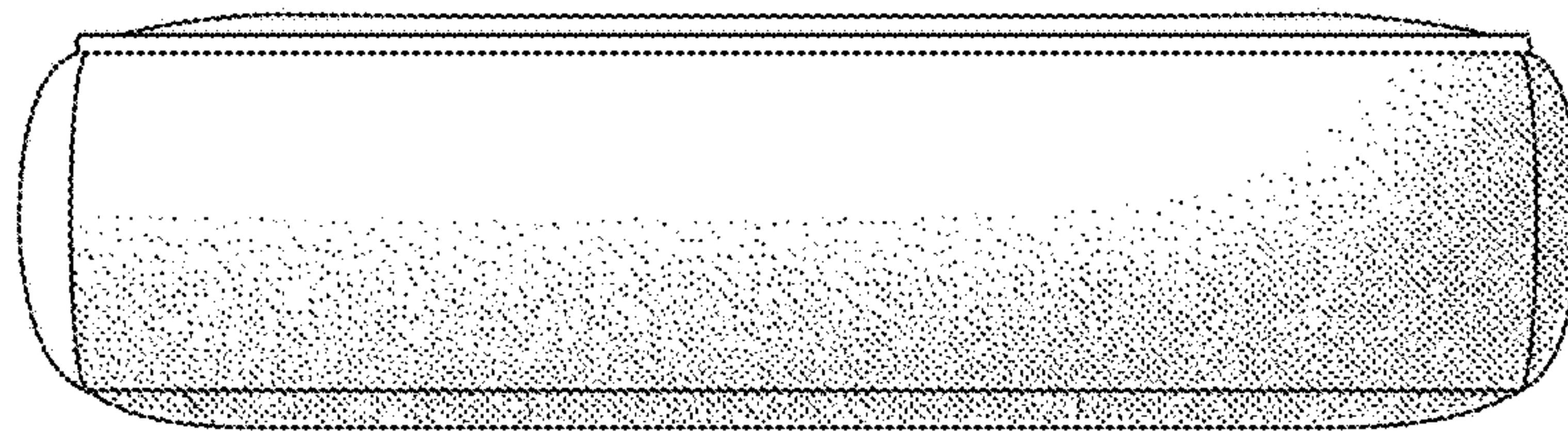


FIG. 6

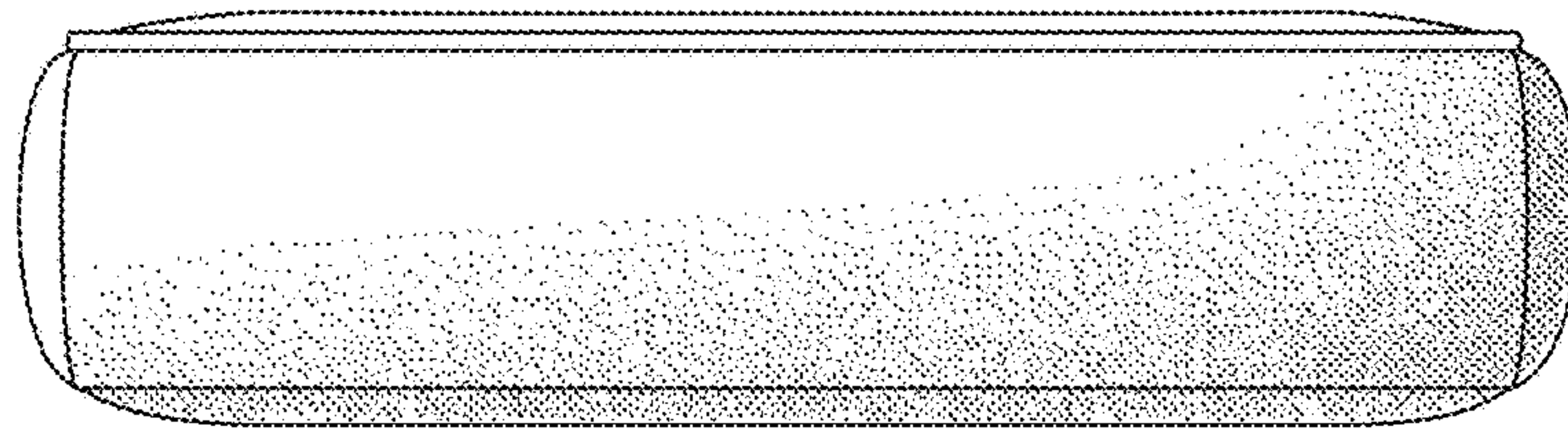


FIG. 7