



US00D818651S

(12) **United States Design Patent** (10) **Patent No.:** **US D818,651 S**  
**Vanbuuren et al.** (45) **Date of Patent:** **\*\* May 22, 2018**

(54) **ANIMAL HOUSING UNIT**  
(71) Applicant: **Poly Dome Ontario Inc.**, Grassie (CA)  
(72) Inventors: **Darren Vanbuuren**, Grassie (CA);  
**Marc Jean-Luc Beaudry**, Boucherville (CA)  
(73) Assignee: **Poly Dome Ontario Inc.**, Ontario (CA)  
(\*\*) Term: **15 Years**  
(21) Appl. No.: **29/561,596**  
(22) Filed: **Apr. 18, 2016**

**Related U.S. Application Data**

(62) Division of application No. 29/492,936, filed on Jun. 4, 2014, now Pat. No. Des. 757,371.  
(51) **LOC (11) Cl.** ..... **30-02**  
(52) **U.S. Cl.**  
USPC ..... **D30/113**  
(58) **Field of Classification Search**  
USPC ..... D30/108, 113-114, 116  
CPC ... A01K 1/00; A01K 1/02; A01K 1/03; A01K 1/0218; A01K 1/035  
See application file for complete search history.

(56) **References Cited**

**U.S. PATENT DOCUMENTS**

363,367 A 5/1887 Crompton  
D240,051 S \* 5/1976 Mayfield ..... D30/113

D267,904 S \* 2/1983 Hampel ..... D30/108  
D343,481 S \* 1/1994 Hampel ..... D30/108  
D450,890 S 11/2001 Van Buuren  
D651,766 S 1/2012 Van Buuren  
D652,995 S 1/2012 VanBuuren et al.  
D791,411 S \* 7/2017 VanBuuren ..... D30/113  
2005/0241593 A1 \* 11/2005 Kaura ..... A01K 1/0088  
119/496  
2008/0011239 A1 1/2008 Byers

\* cited by examiner

*Primary Examiner* — Cathy Anne MacCormac

(74) *Attorney, Agent, or Firm* — Norris McLaughlin & Marcus, P.A.

(57) **CLAIM**

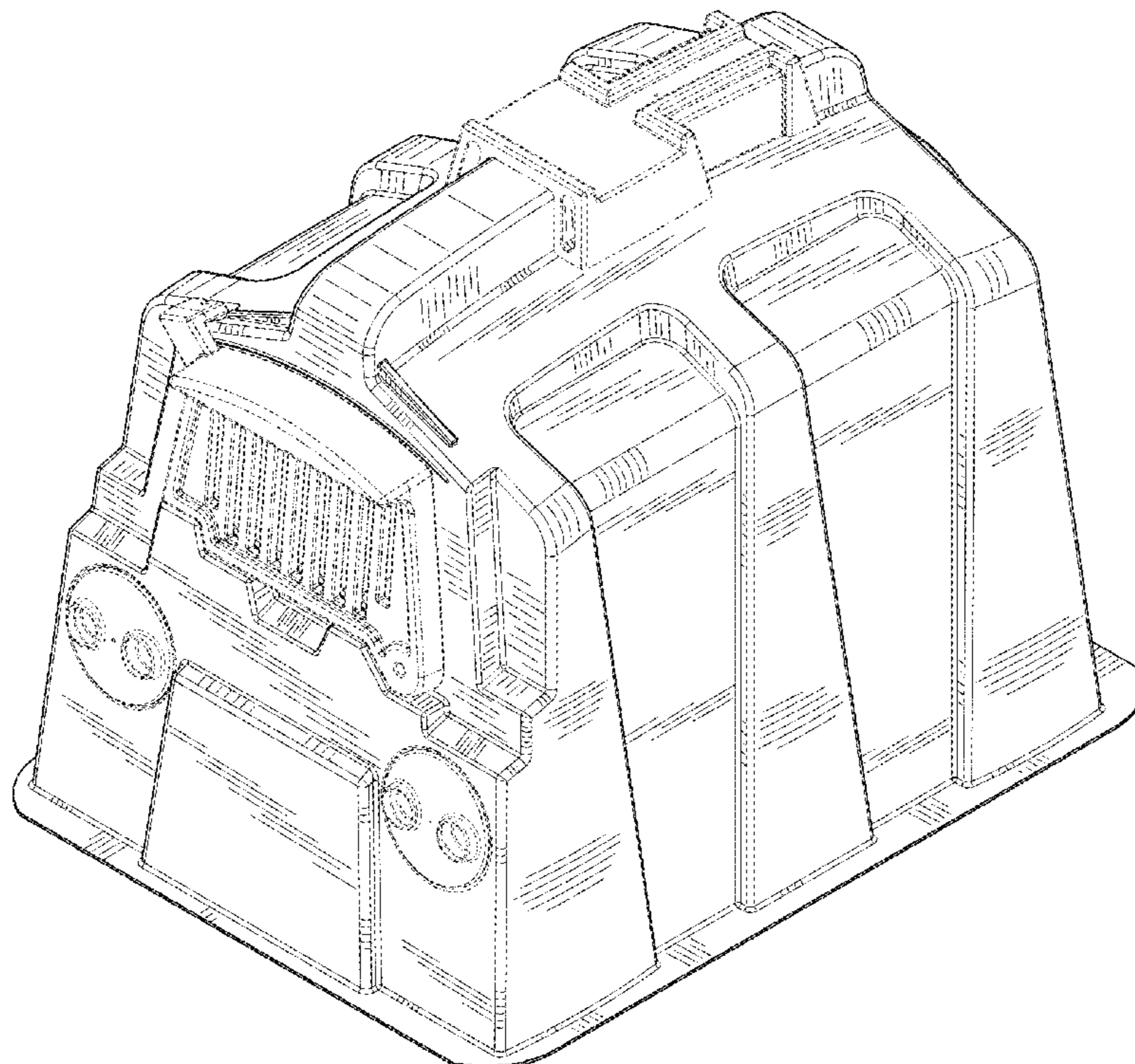
The ornamental design for an animal housing unit, as shown and described.

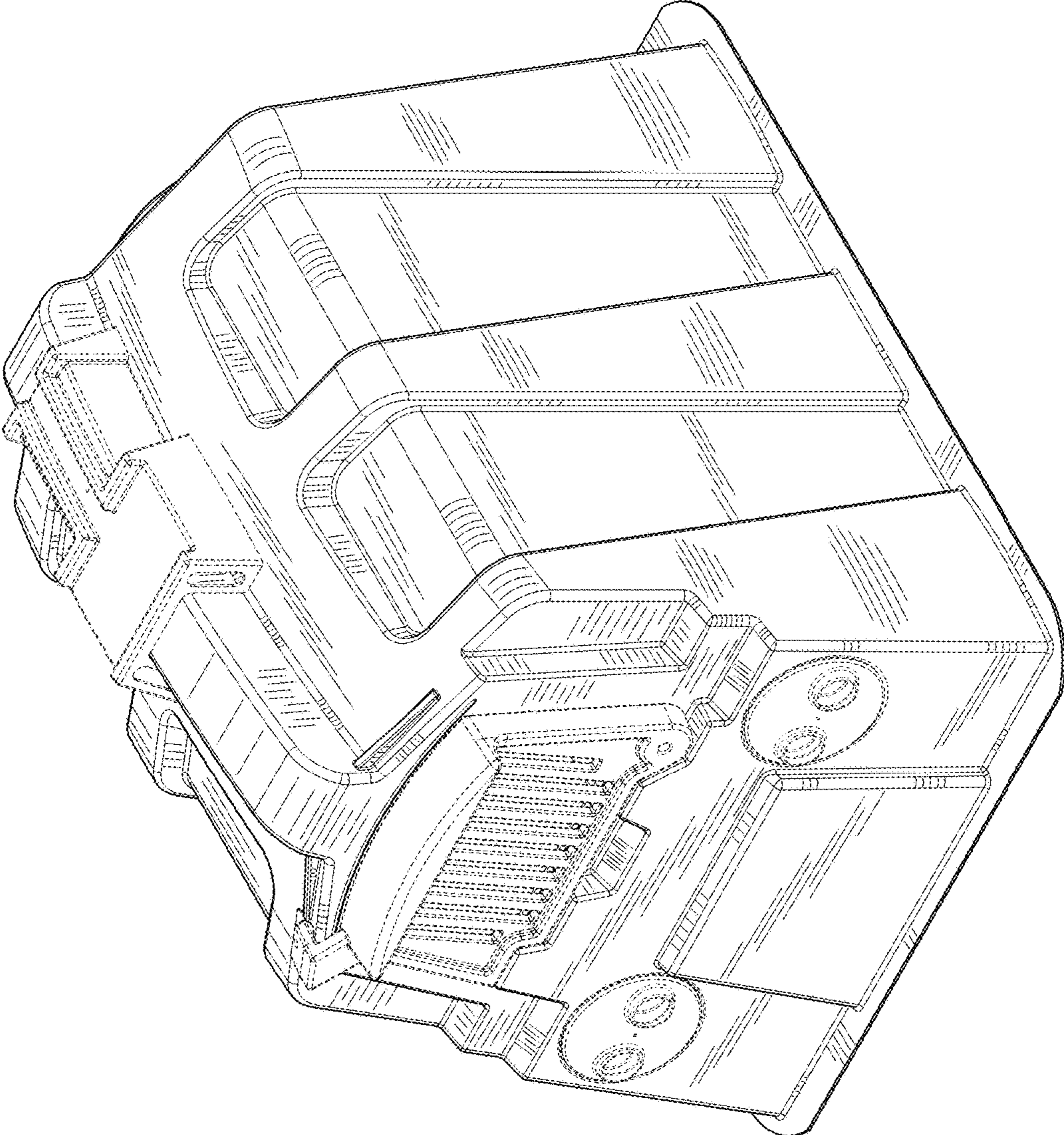
**DESCRIPTION**

FIG. 1 is a top front perspective view of an animal housing unit according to our new design.  
FIG. 2 is a top rear perspective view thereof.  
FIG. 3 is a left side elevation view thereof.  
FIG. 4 is a front elevation view thereof.  
FIG. 5 is a right side elevation view thereof.  
FIG. 6 is a rear elevation view thereof; and,  
FIG. 7 is a top plan view thereof.

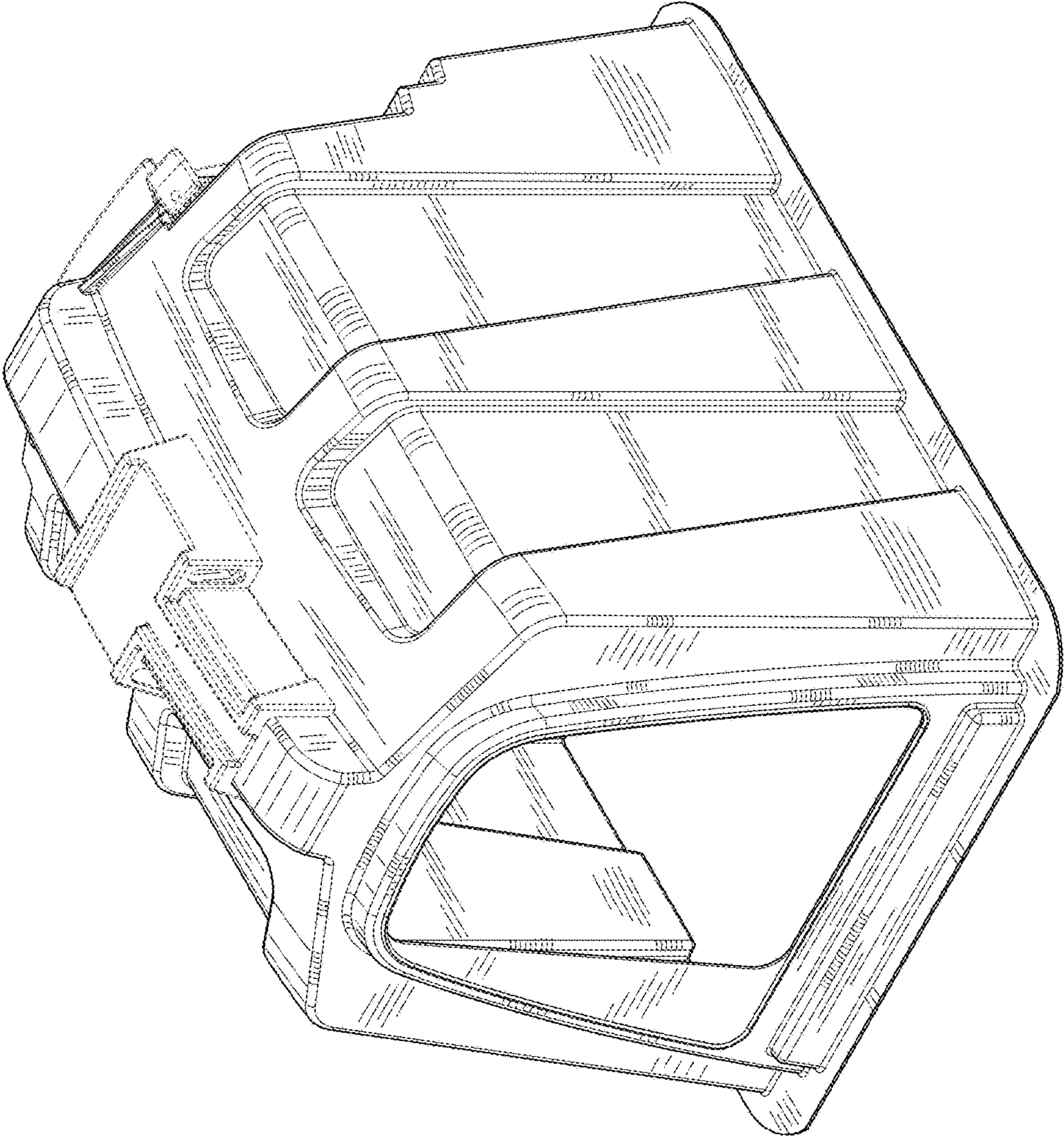
The broken lines depict environmental subject matter, are for illustration only and form no part of the claimed design.

**1 Claim, 7 Drawing Sheets**

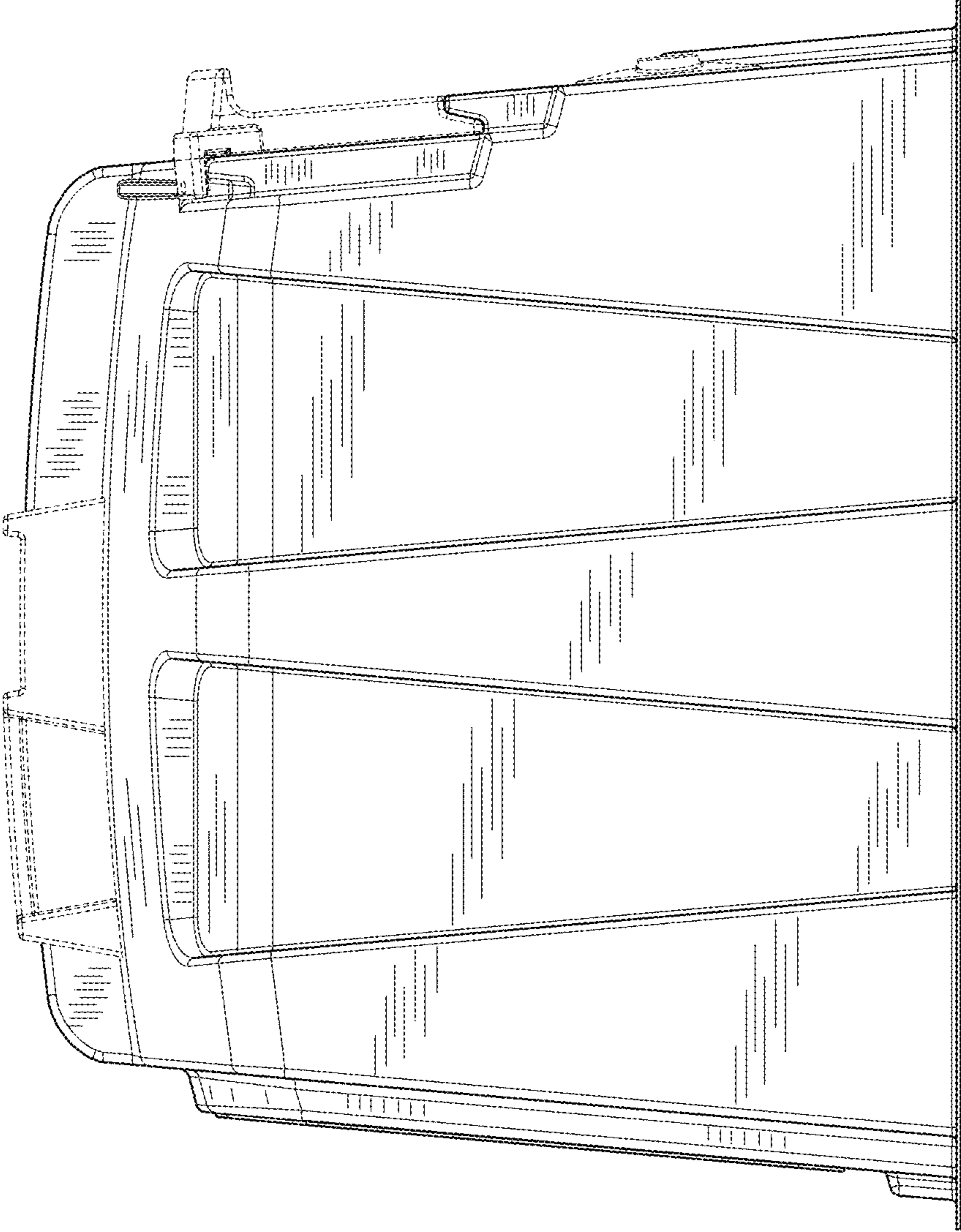




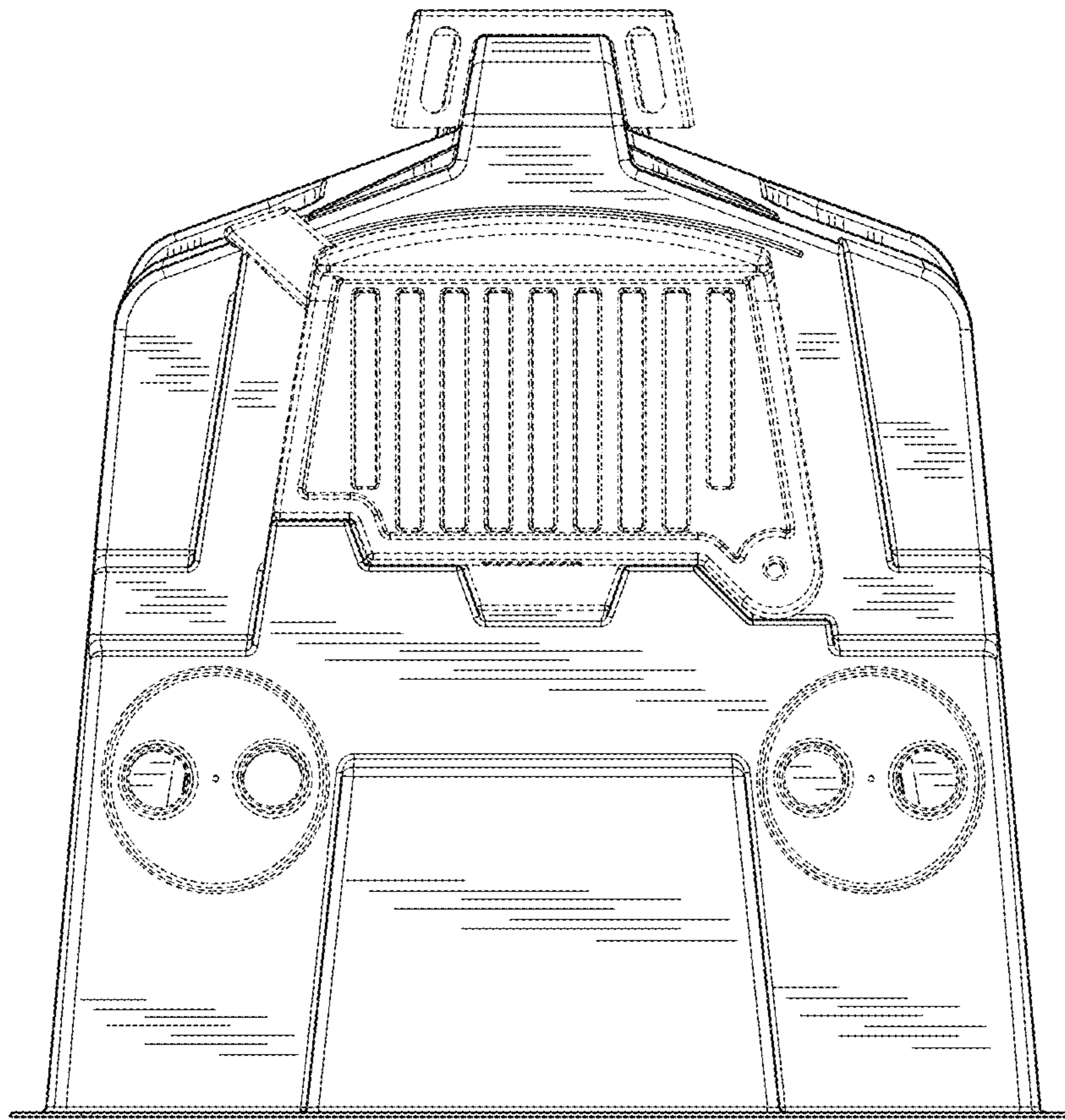
**FIG. 1**



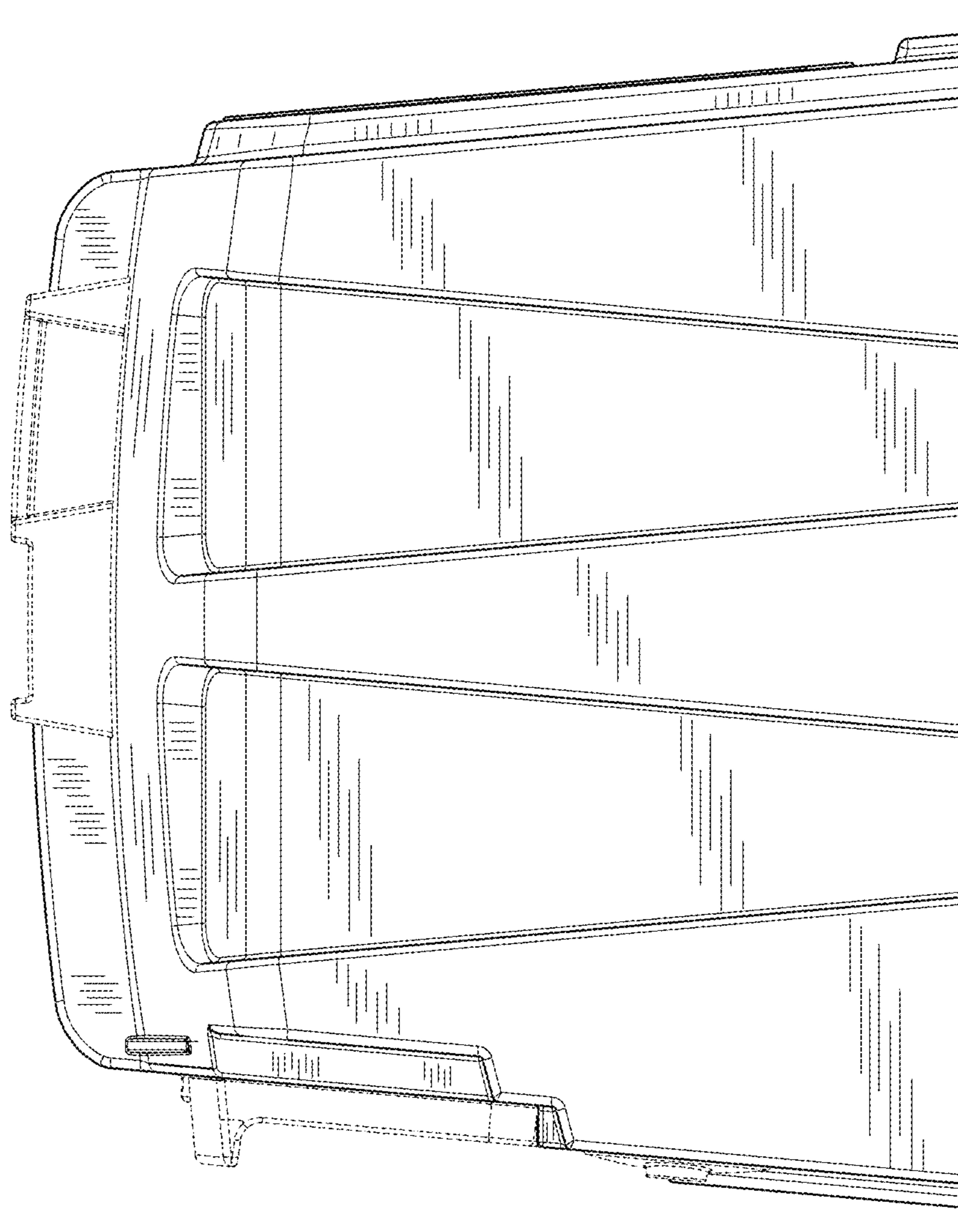
**FIG. 2**



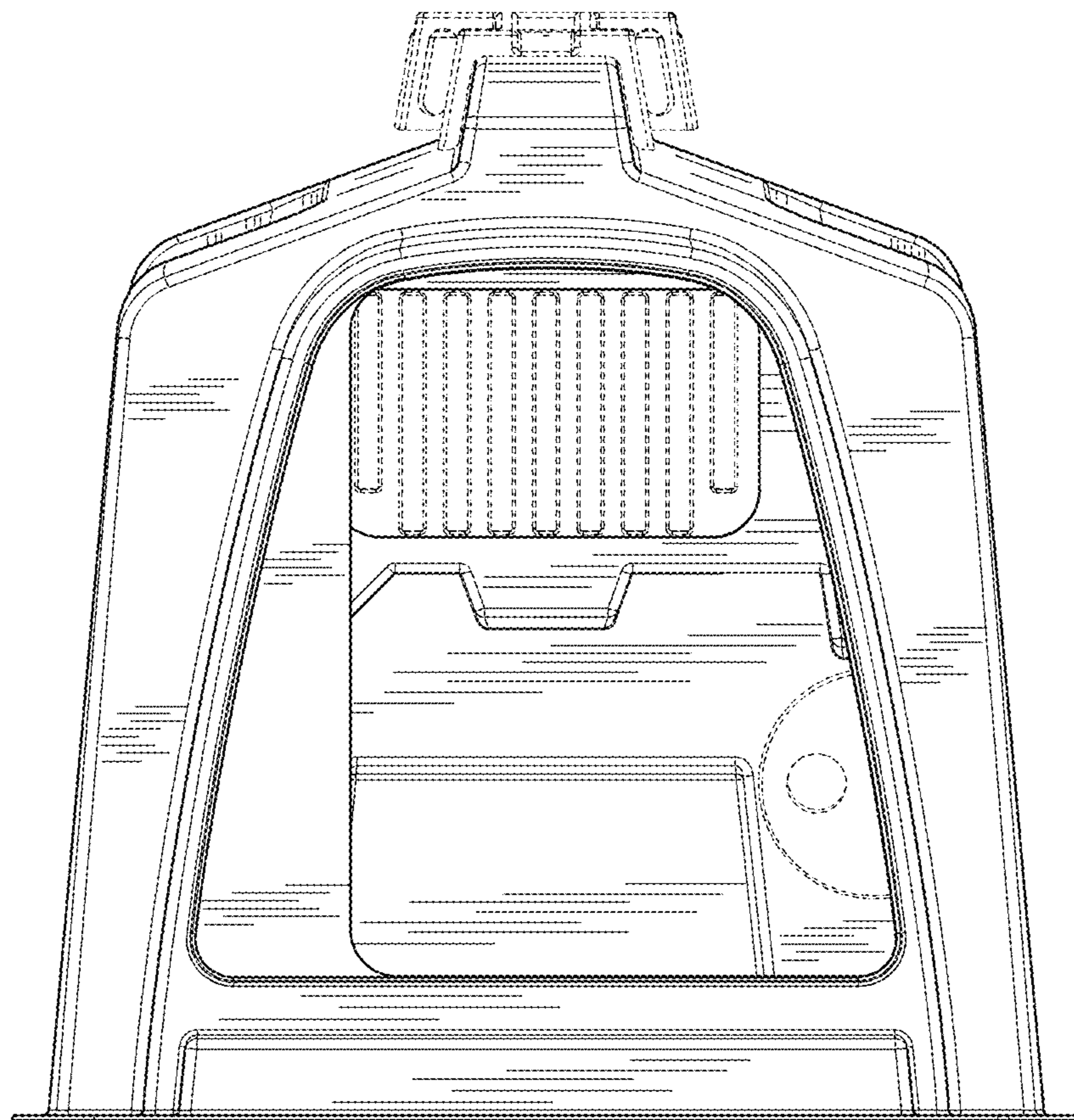
**FIG. 3**



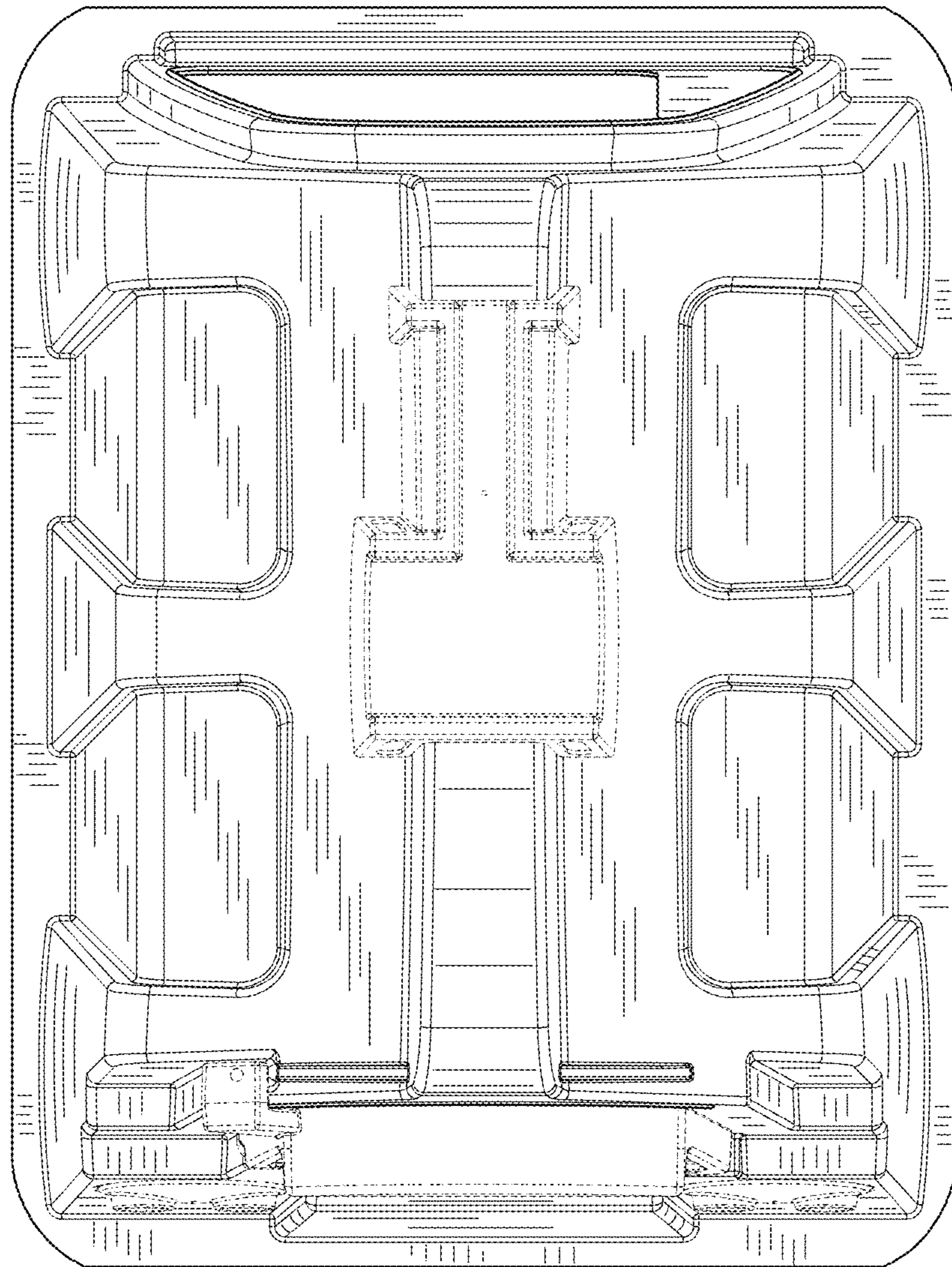
**FIG. 4**



**FIG. 5**



**FIG. 6**



**FIG. 7**