



US00D818650S

(12) **United States Design Patent**
Lamson et al.

(10) **Patent No.:** **US D818,650 S**
(45) **Date of Patent:** **** May 22, 2018**

(54) **CHIN CUP COVER**

DESCRIPTION

- (71) Applicant: **Xenith, LLC**, Lowell, MA (US)
- (72) Inventors: **Kyle Larry Lamson**, Chelmsford, MA (US); **Ryan Patrick Sullivan**, Detroit, MI (US); **David William Selby**, Wixom, MI (US)
- (73) Assignee: **XENITH, LLC**, Lowell, MA (US)
- (**) Term: **15 Years**
- (21) Appl. No.: **29/592,965**
- (22) Filed: **Feb. 3, 2017**
- (51) **LOC (11) Cl.** **29-02**
- (52) **U.S. Cl.**
USPC **D29/122**
- (58) **Field of Classification Search**
USPC D29/100, 102, 106, 108, 110, 122;
D2/865, 880, 881; 2/455, 456, 410, 7,
(Continued)

(56) **References Cited**

U.S. PATENT DOCUMENTS

- 6,282,725 B1 9/2001 Vanidestine, Jr.
- D560,315 S * 1/2008 Wong D29/122
(Continued)

OTHER PUBLICATIONS

Nike Chin Strap Shield; <http://www.dickssportinggoods.com/p/nike-chin-strap-shield/16nikankchnshld30fta>; downloaded Feb. 1, 2017; 3 pages.

(Continued)

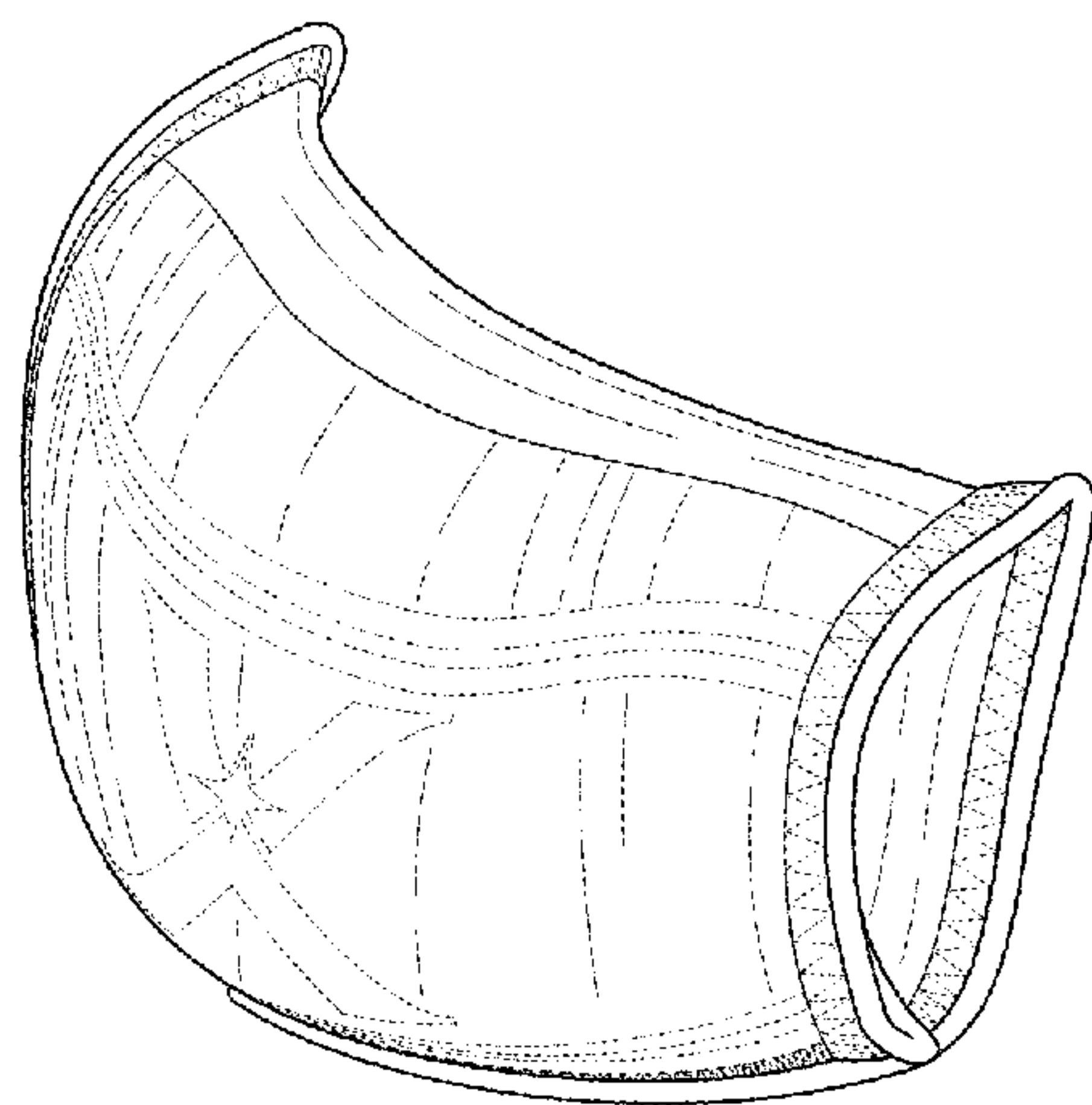
Primary Examiner — Randall H Gholson
(74) *Attorney, Agent, or Firm* — Morgan, Lewis & Bockius LLP

(57) **CLAIM**

The ornamental design for a chin cup cover, as shown and described.

FIG. 1 is a front perspective view of a chin cup cover showing our new design in a closed configuration;
 FIG. 2 is a rear perspective view of the chin cup cover shown in FIG. 1;
 FIG. 3 is a front elevational view of the chin cup cover shown in FIG. 1;
 FIG. 4 is a rear elevational view of the chin cup cover shown in FIG. 1;
 FIG. 5 is a left-side elevational view of the chin cup cover shown in FIG. 1;
 FIG. 6 is a right-side elevational view of the chin cup cover shown in FIG. 1;
 FIG. 7 is a top plan view of the chin cup cover shown in FIG. 1;
 FIG. 8 is a bottom plan view of the chin cup cover shown in FIG. 1;
 FIG. 9 is a front perspective view of the chin cup cover of FIG. 1 shown in an open configuration;
 FIG. 10 is a rear perspective view of the chin cup cover shown in FIG. 9;
 FIG. 11 is a front elevational view of the chin cup cover shown in FIG. 9;
 FIG. 12 is a rear elevational view of the chin cup cover shown in FIG. 9;
 FIG. 13 is a left-side elevational view of the chin cup cover shown in FIG. 9;
 FIG. 14 is a right-side elevational view of the chin cup cover shown in FIG. 9;
 FIG. 15 is a top plan view of the chin cup cover shown in FIG. 9; and,
 FIG. 16 is a bottom plan view of the chin cup cover shown in FIG. 1.
 The broken lines shown in the drawings represent portions of the chin cup cover that form no part of the claimed design.

1 Claim, 10 Drawing Sheets



(58) **Field of Classification Search**

USPC 2/8.2, 424, 425, 9, 468, 171, 205, 206;
128/201.23, 857
CPC A41D 13/05; A41D 13/11; A41D 13/1107;
A41D 13/1161; A41D 13/113; A41D
13/1138; A41D 13/1146; A42B 3/18;
A42B 3/20; A42B 3/205; A42B 3/32;
A42B 3/326; A42B 3/00; A42B 3/04;
A42B 3/0406; A42B 3/08; A42B 3/085;
A42B 1/008; A61F 9/06; A63B 71/08;
A63B 7/085; A63B 71/10; A63B 71/12;
A63B 71/1291

See application file for complete search history.

(56) **References Cited**

U.S. PATENT DOCUMENTS

D606,707 S * 12/2009 Schiebl D29/122
7,735,160 B1 * 6/2010 Schiebl A42B 3/08
2/425

8,006,322 B1 * 8/2011 Schiebl A42B 3/205
2/421
D715,005 S * 10/2014 Schiebl D29/122
9,095,182 B1 8/2015 Rochholz
9,345,281 B1 * 5/2016 Schiebl A42B 3/205

OTHER PUBLICATIONS

Under Armour Home & Away Chin Pads; <http://www.dickssportinggoods.com/p/under-armour-home-away-chin-pads/>

16uaruhmndwychnpdfa; downloaded Feb. 1, 2017; 5 pages.

Nike Adult Football Chin Shield II; <http://www.dickssportinggoods.com/p/nike-adult-football-chin-shield-ii/16nikankchnshldxxfta;>

downloaded Feb. 1, 2017; 5 pages.

* cited by examiner

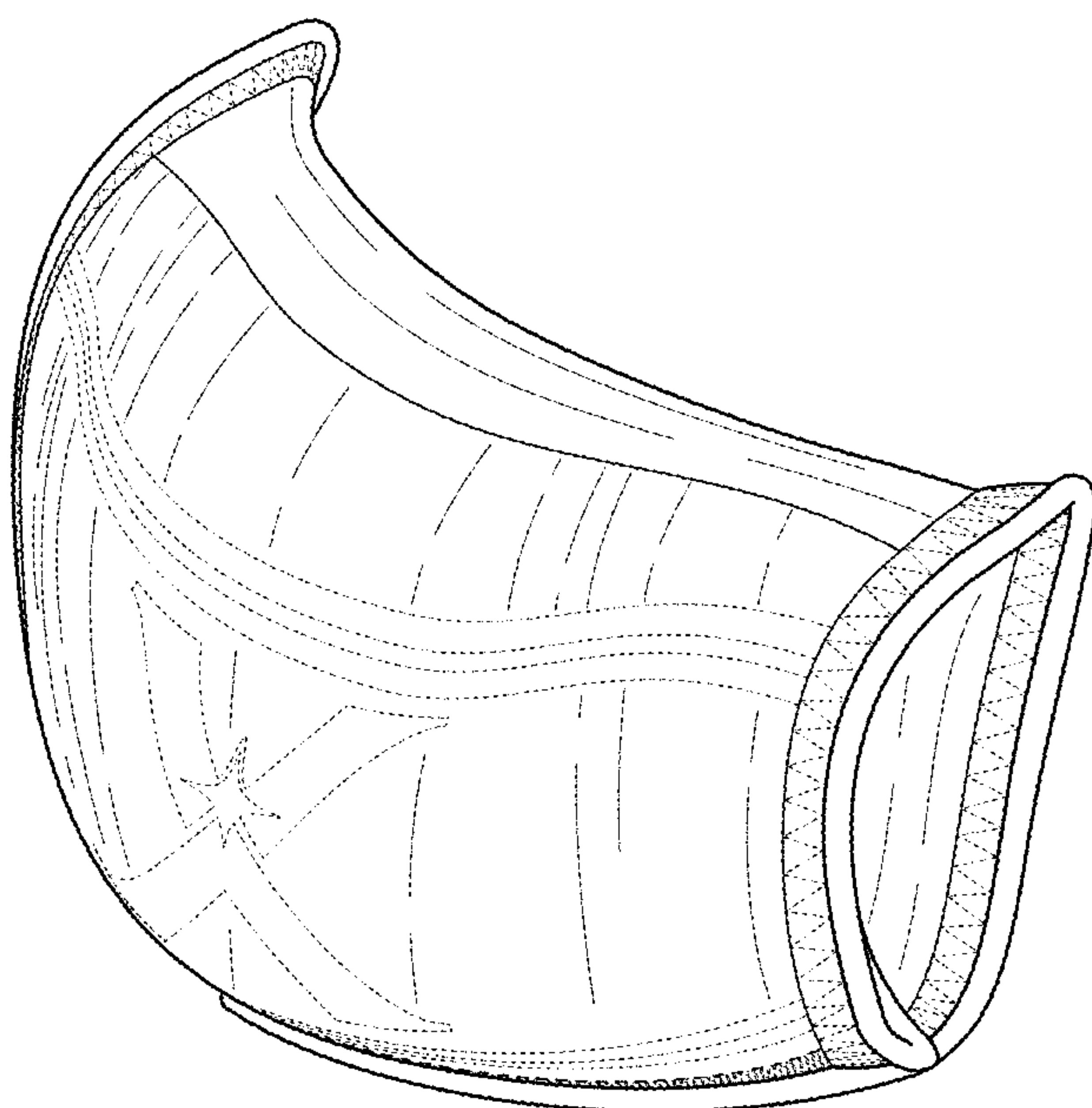


FIG. 1

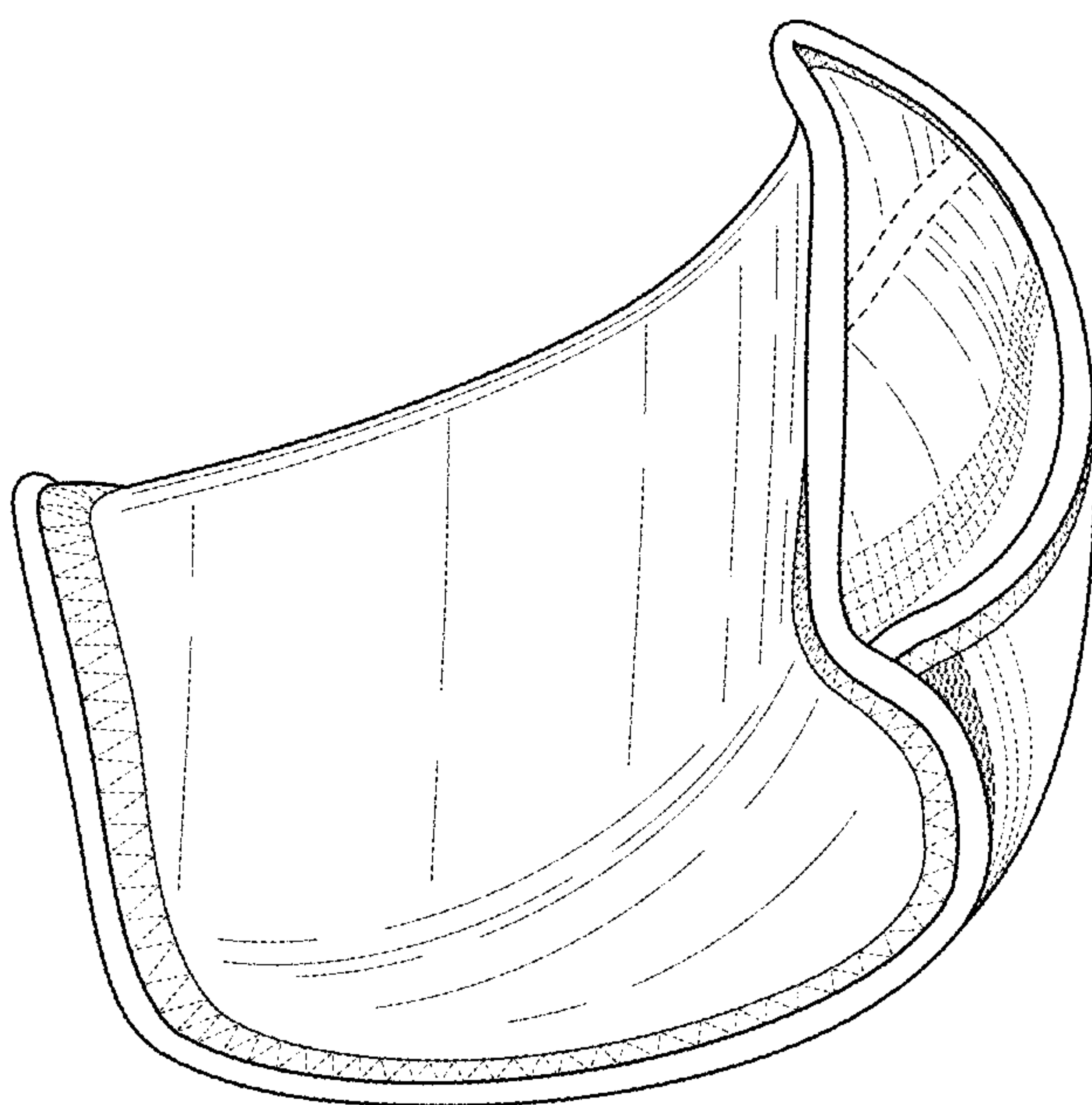


FIG. 2

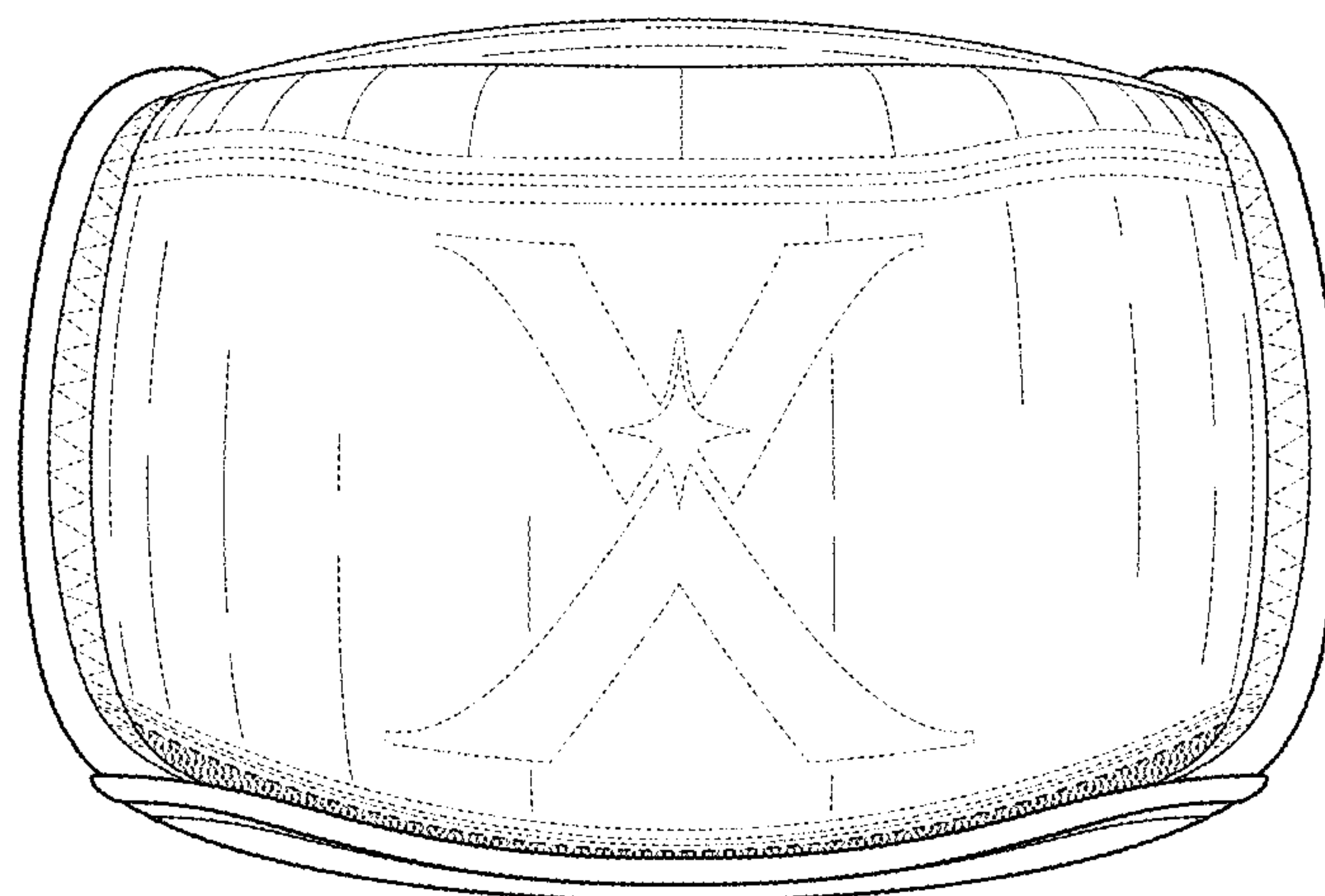


FIG. 3

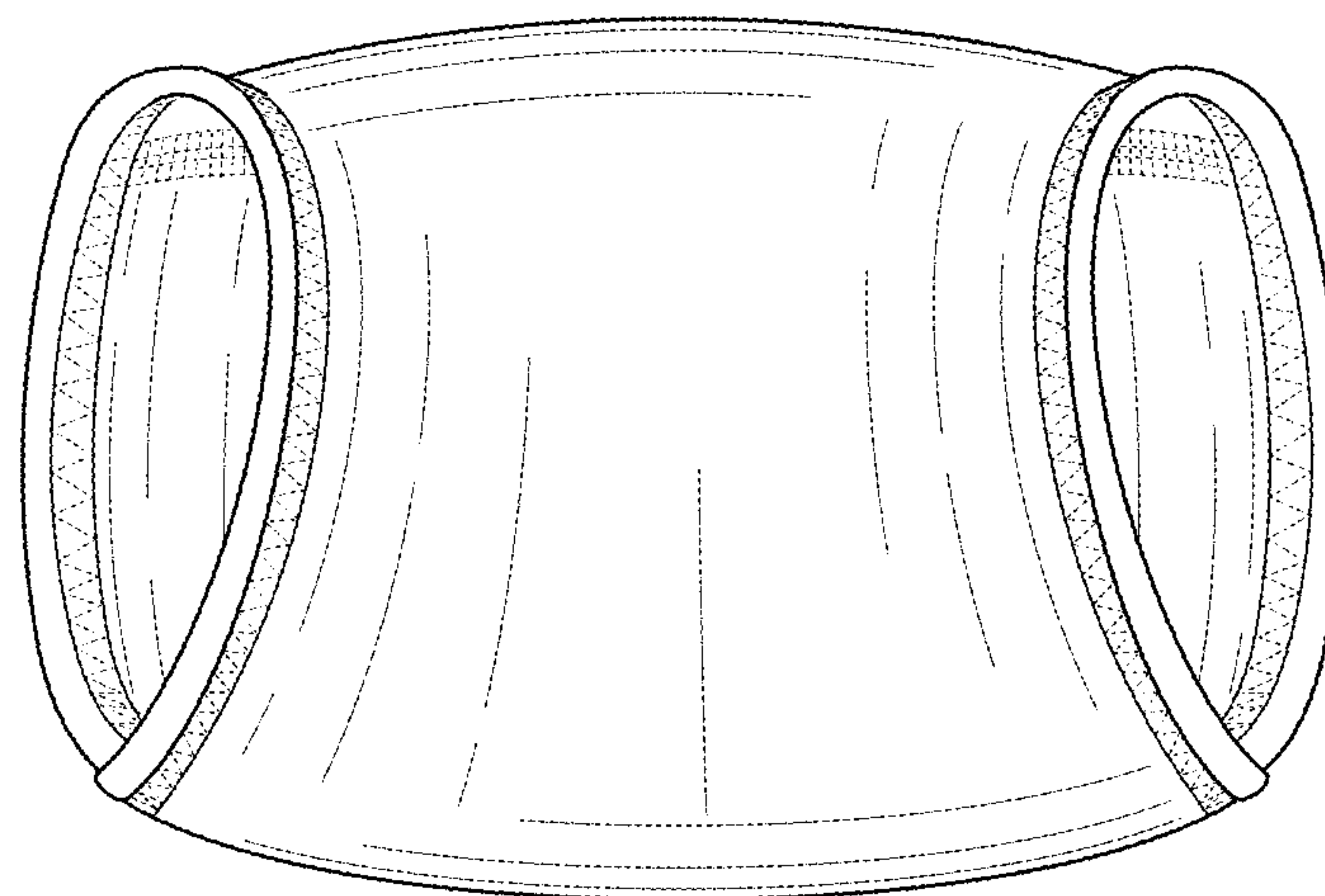


FIG. 4

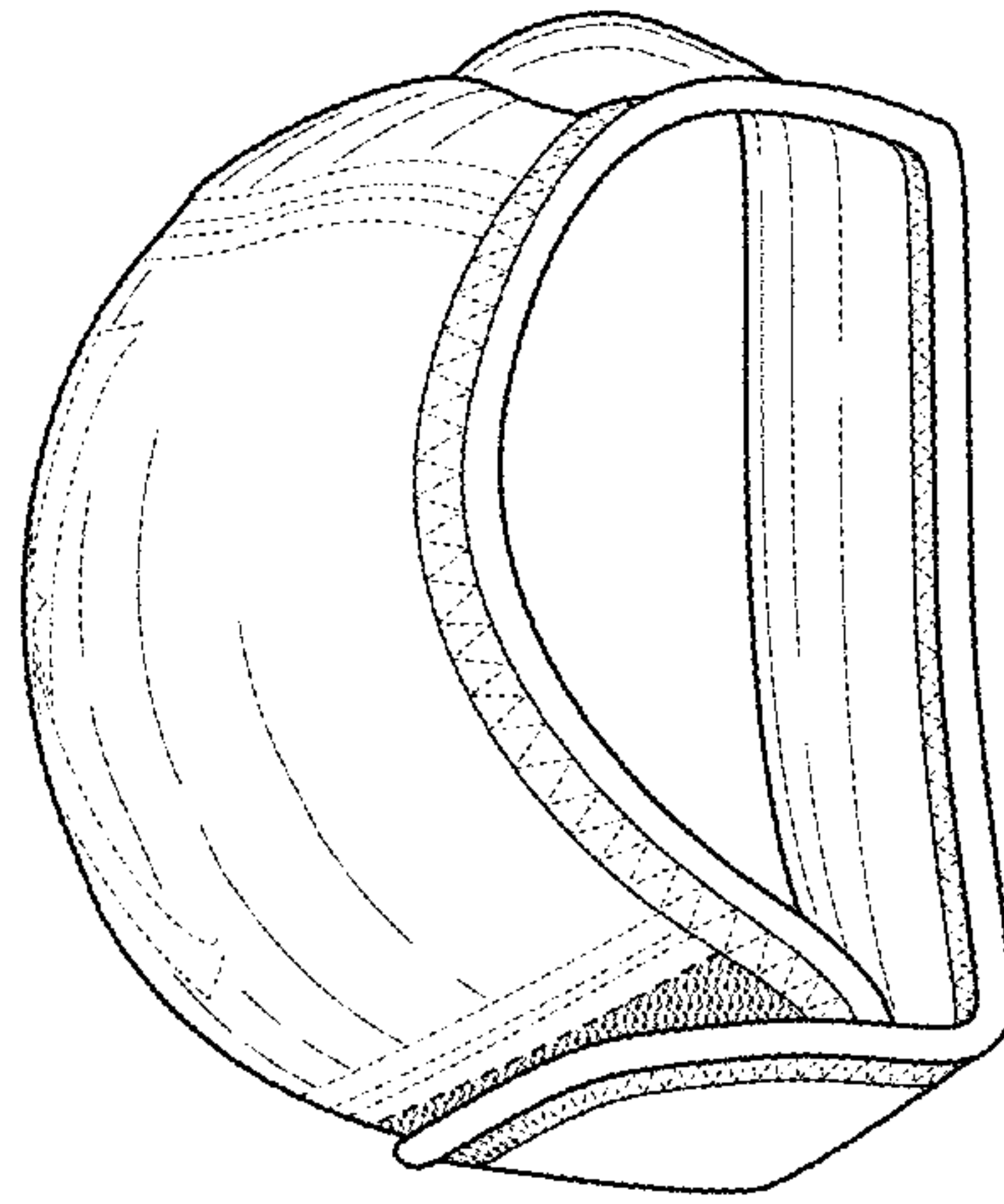


FIG. 5

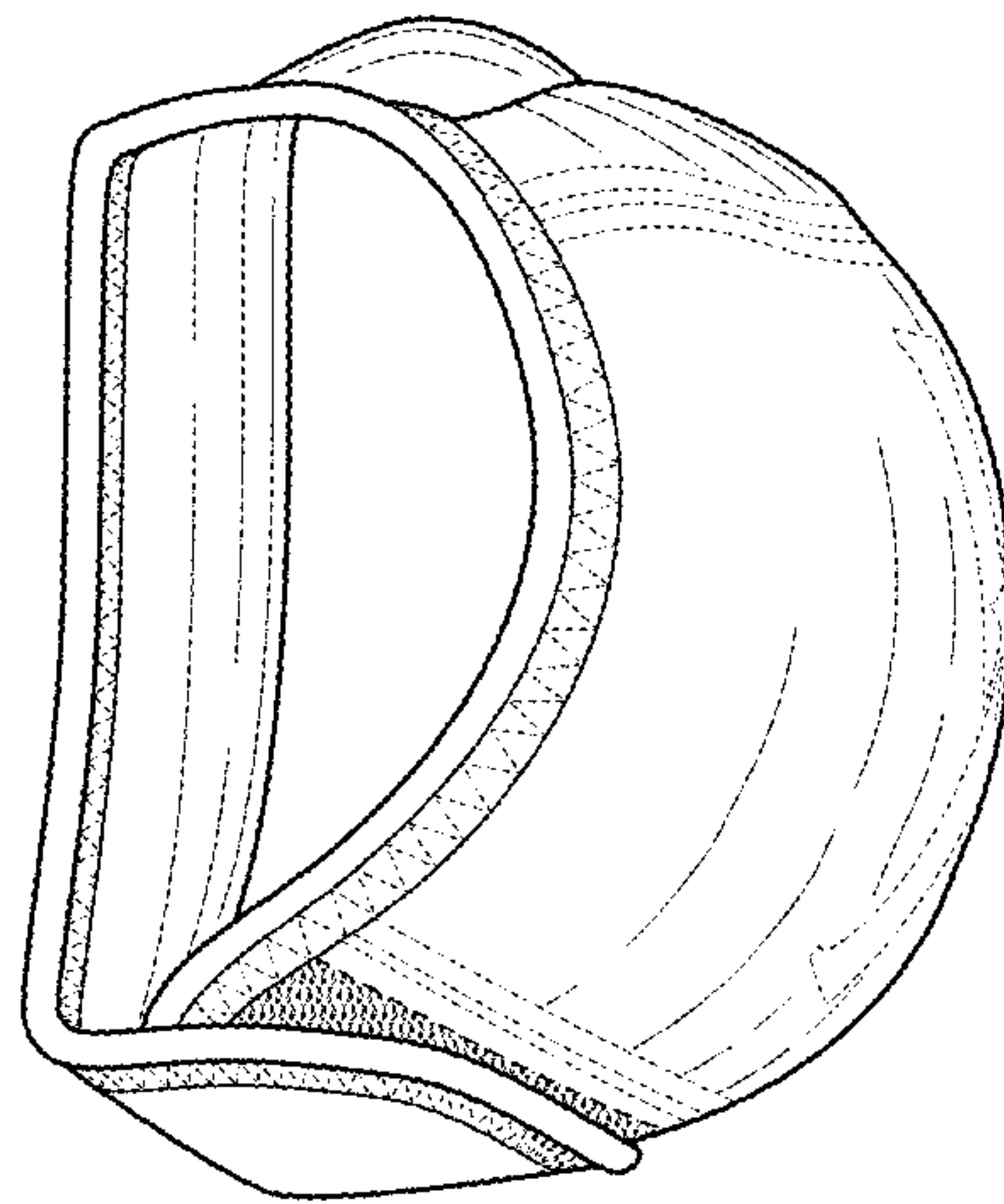


FIG. 6

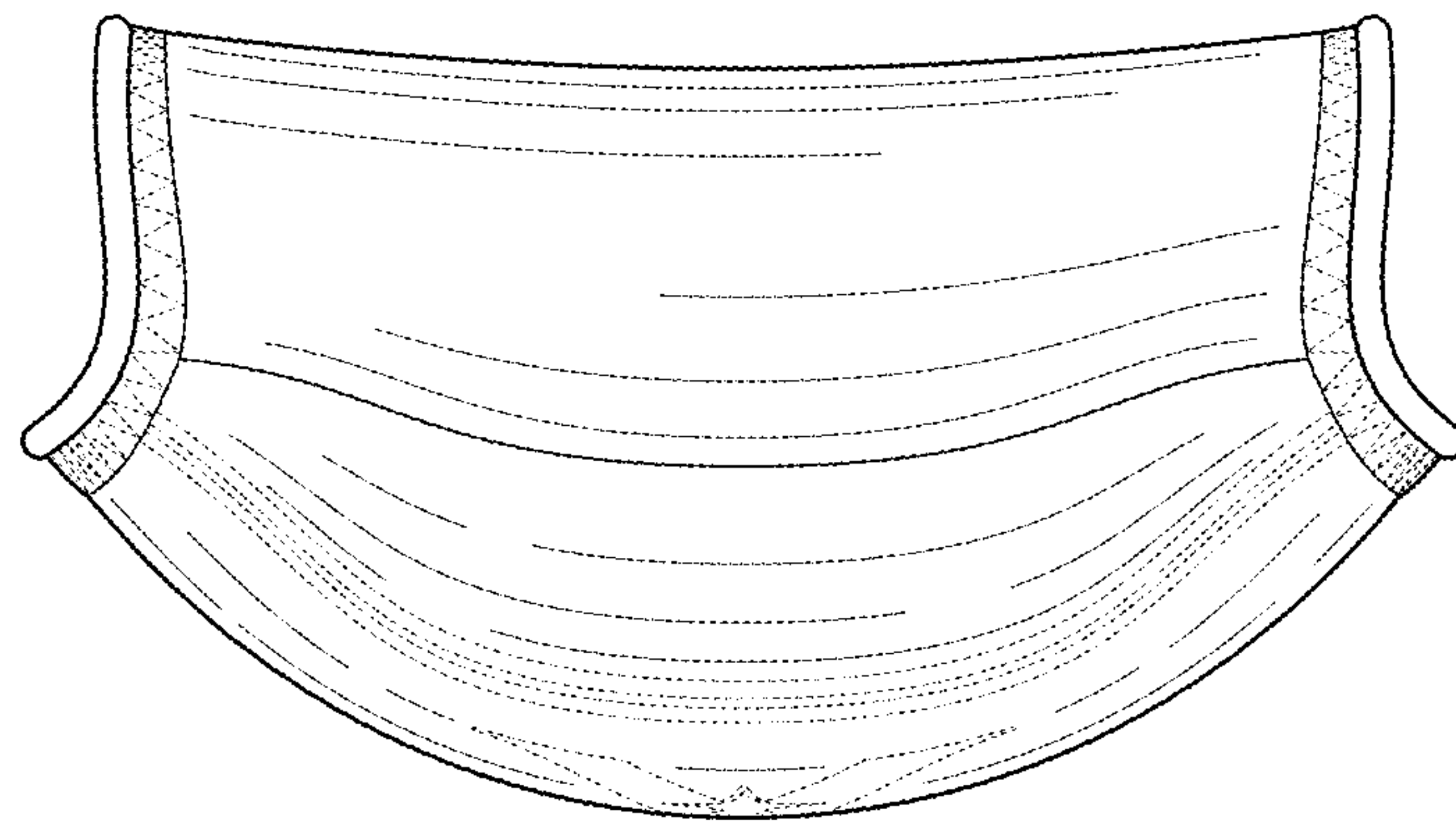


FIG. 7

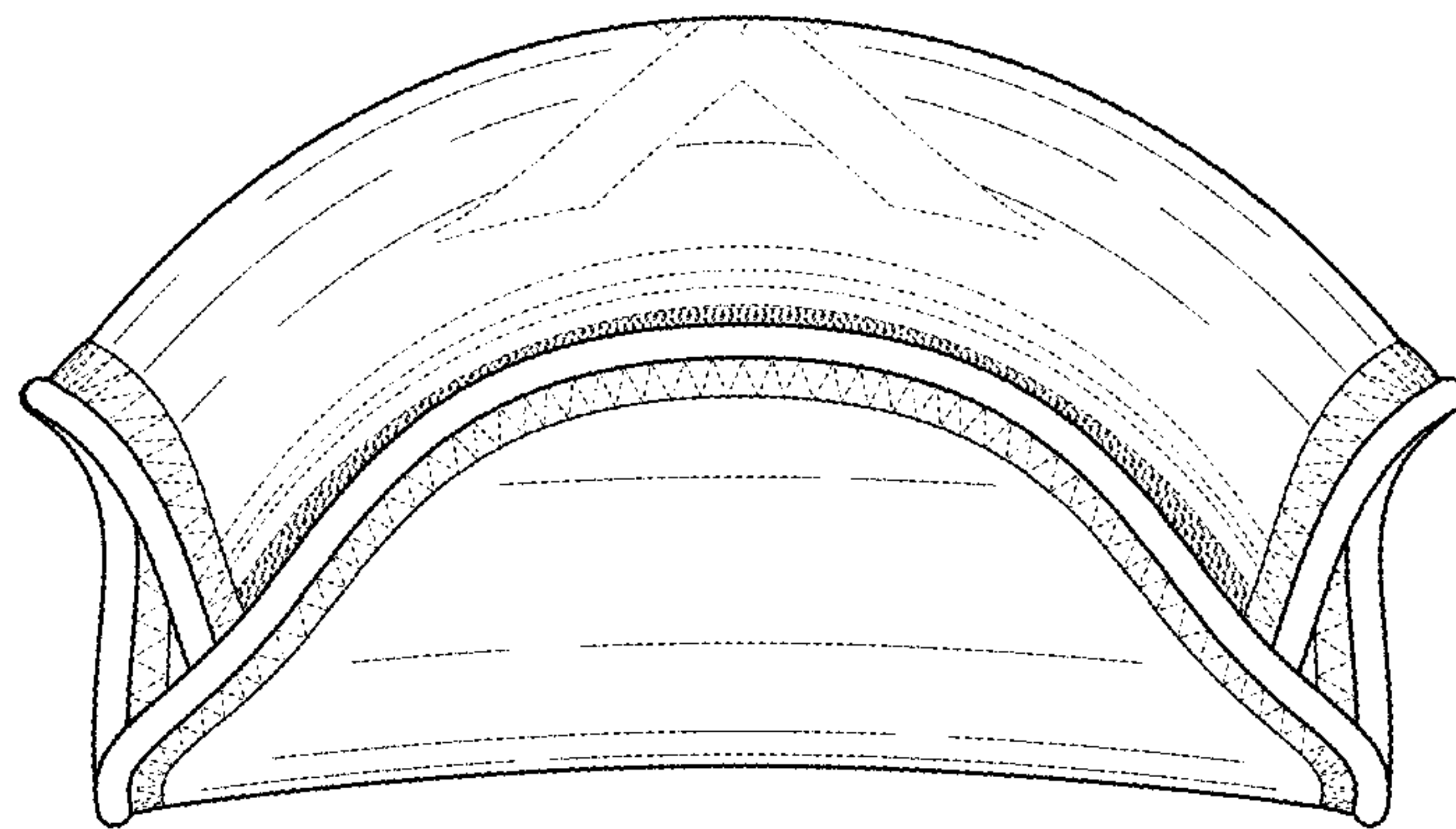


FIG. 8

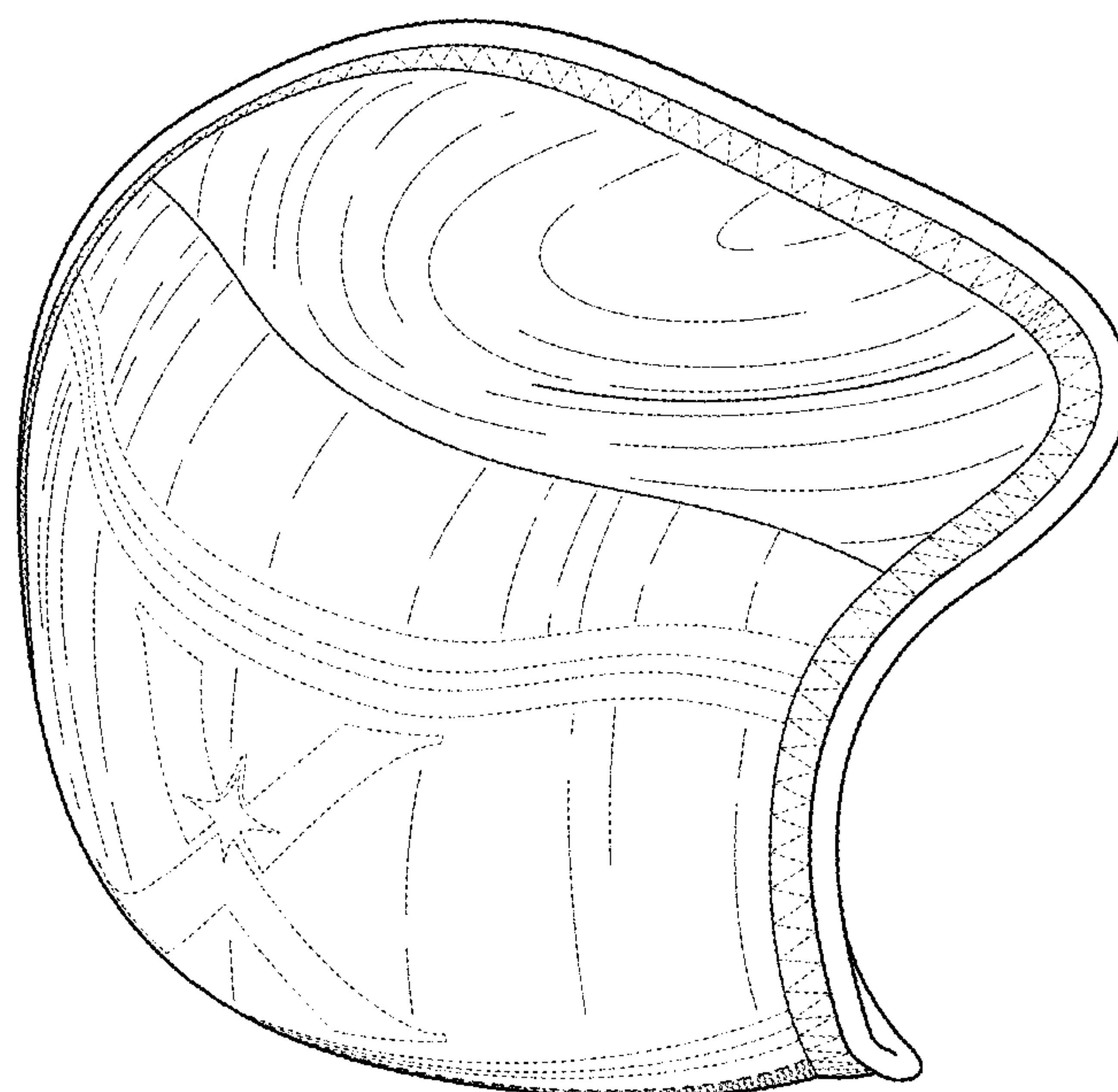


FIG. 9

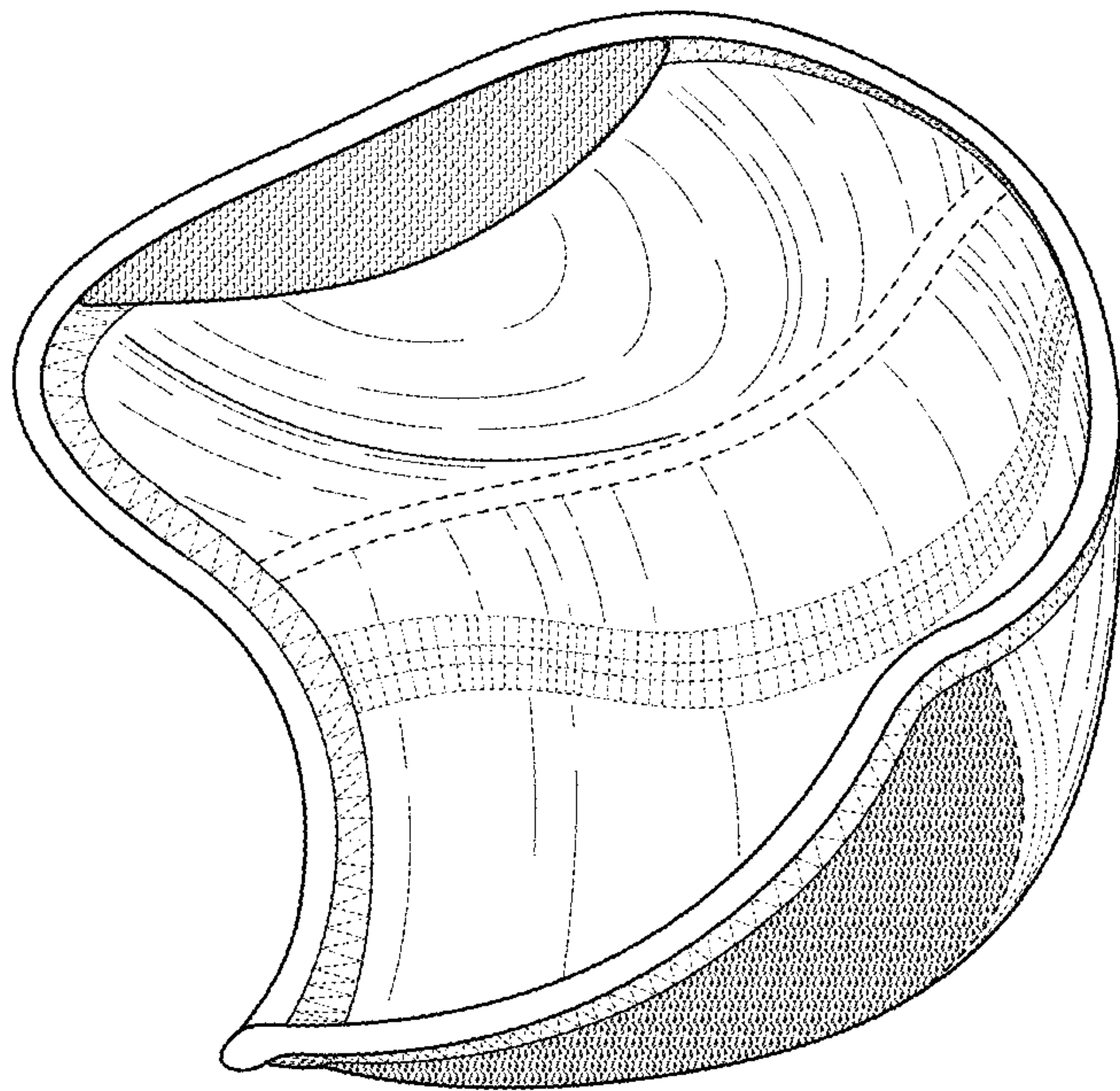


FIG. 10

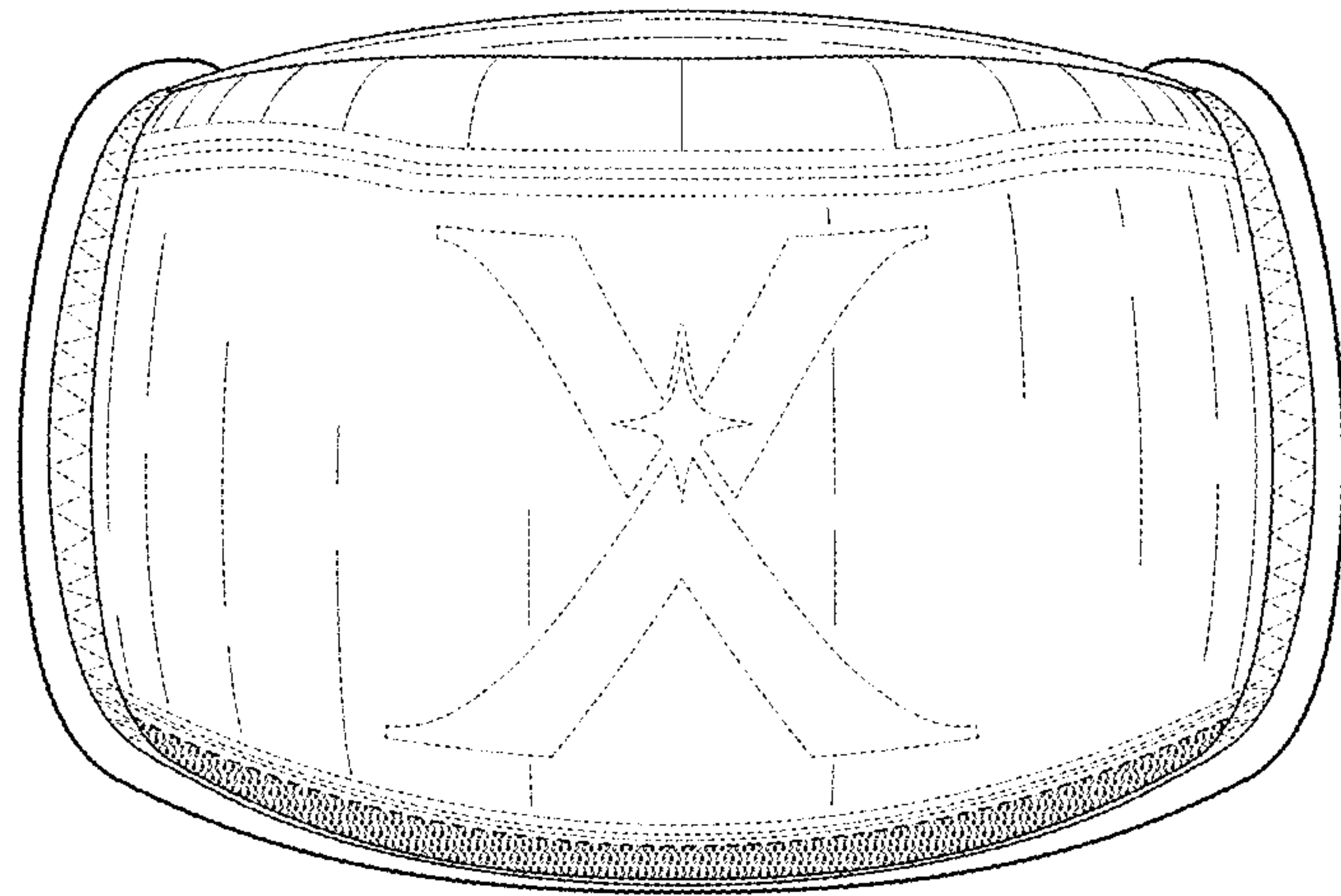


FIG. 11

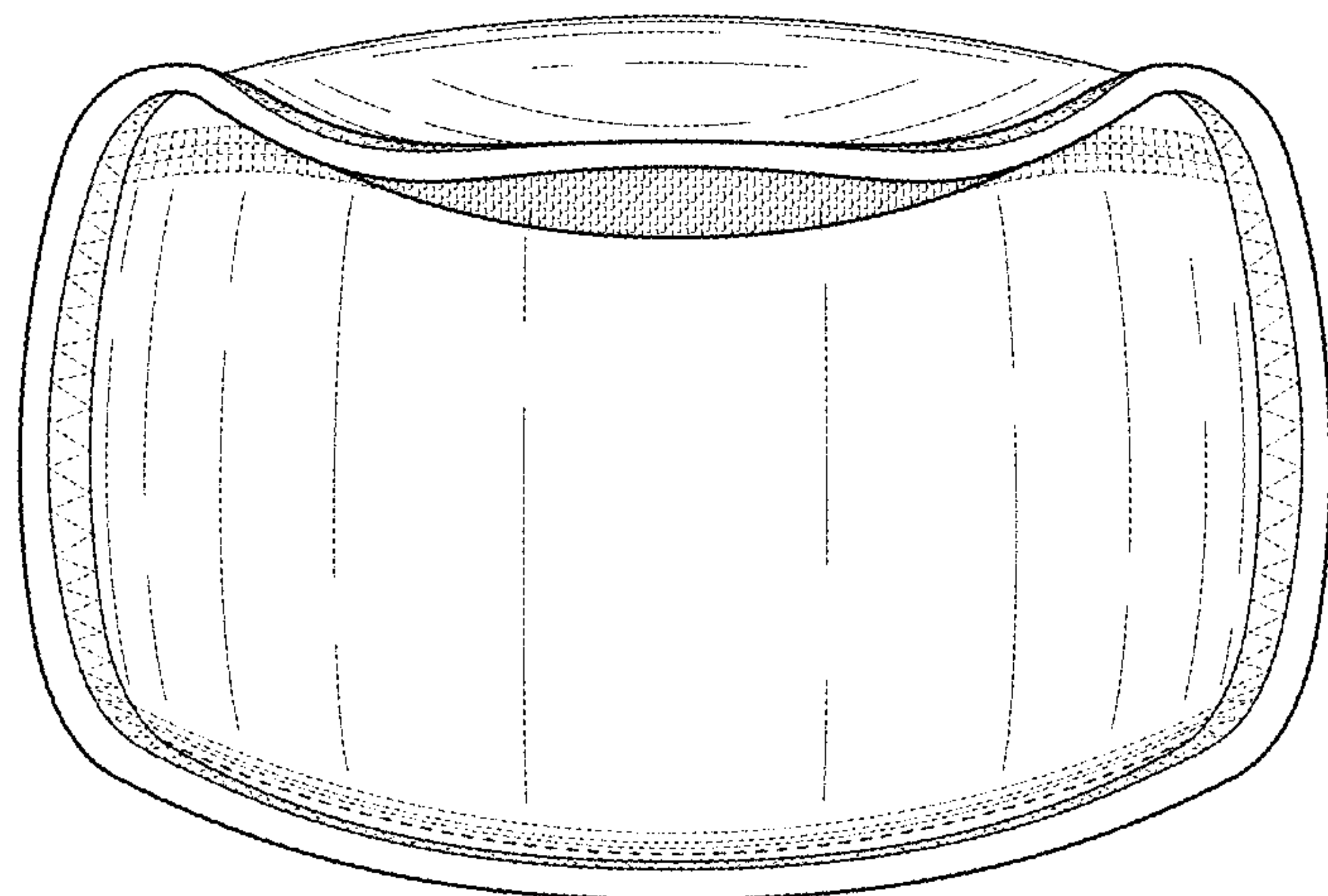


FIG. 12

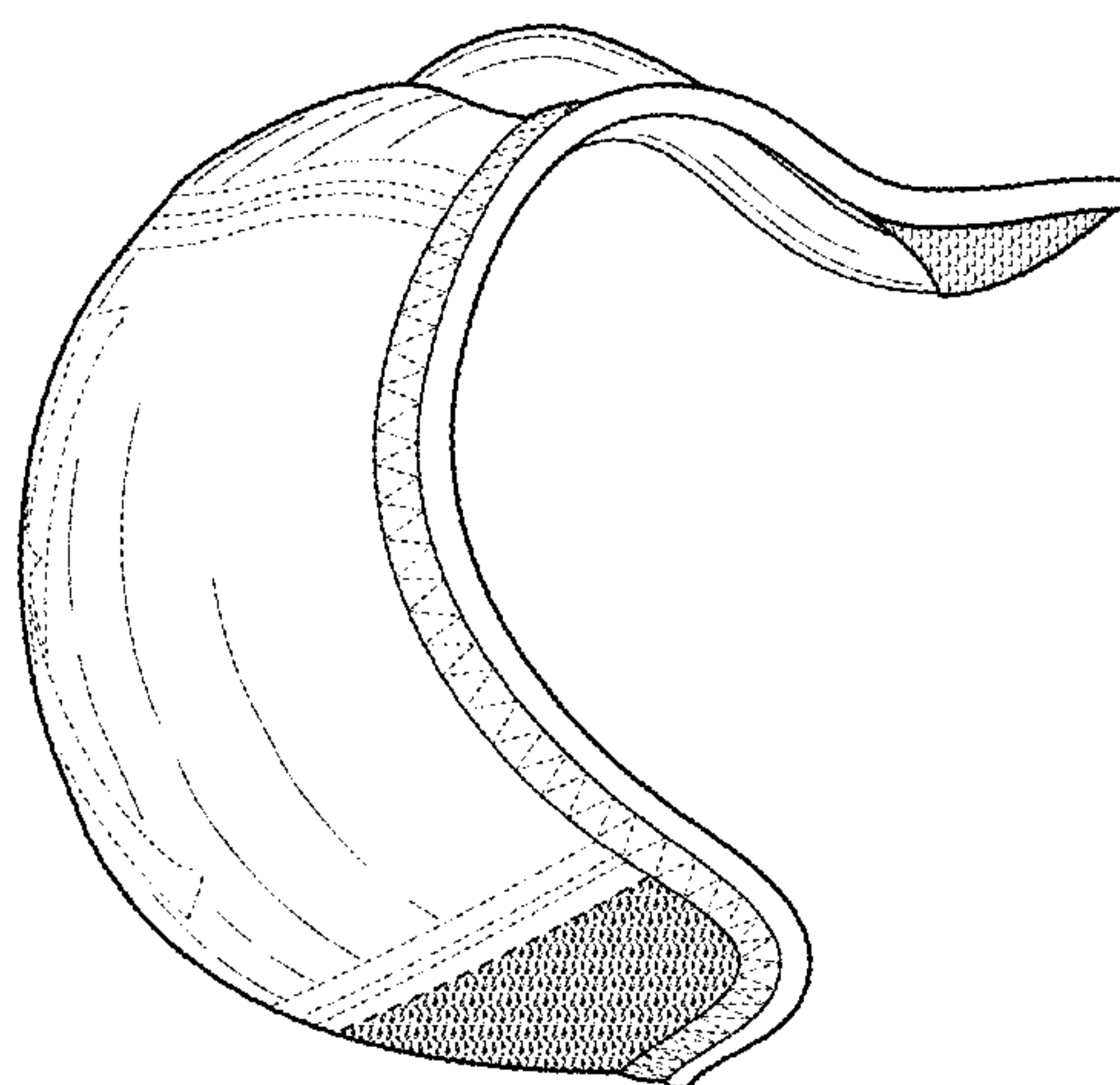


FIG. 13

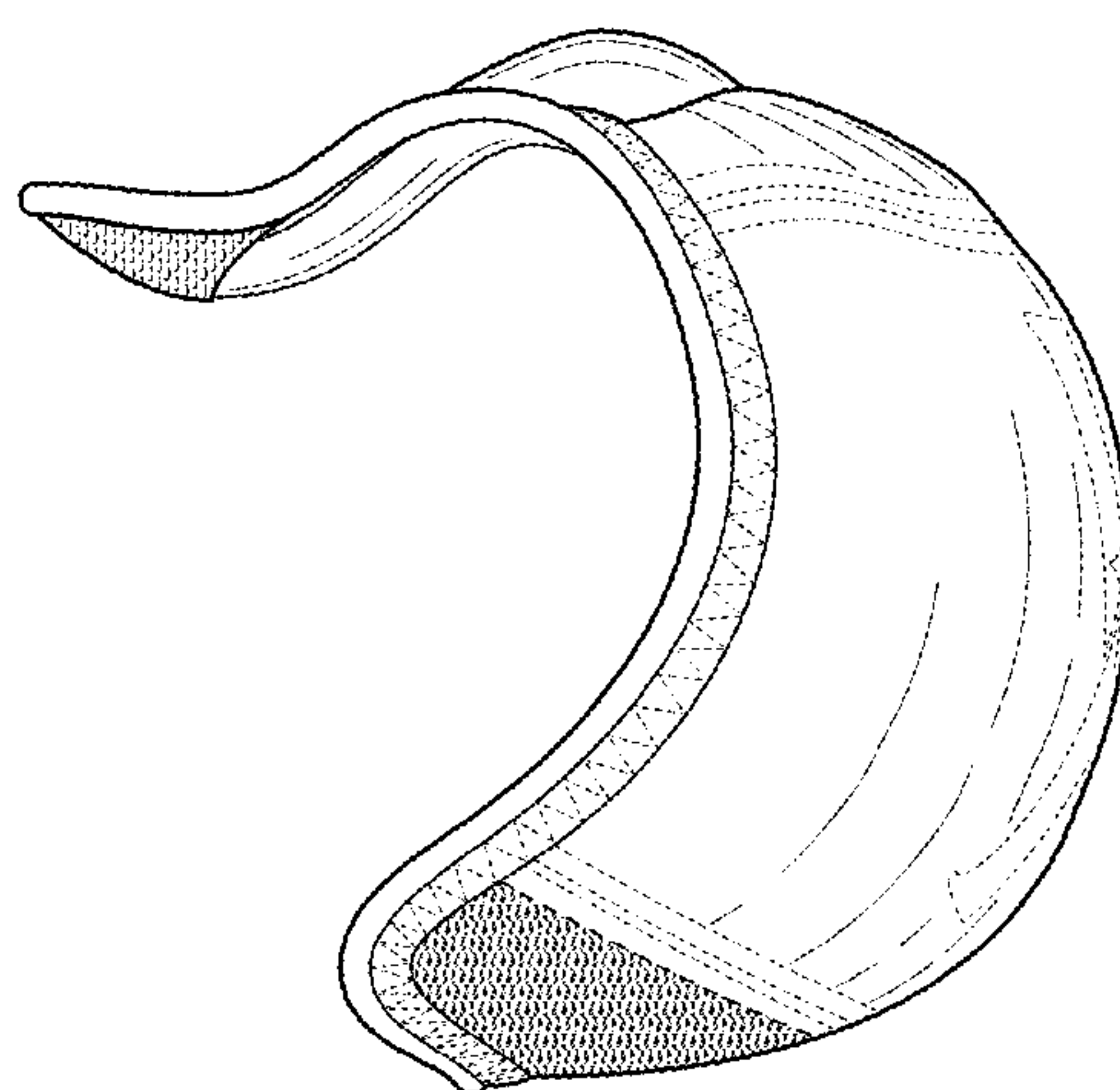


FIG. 14

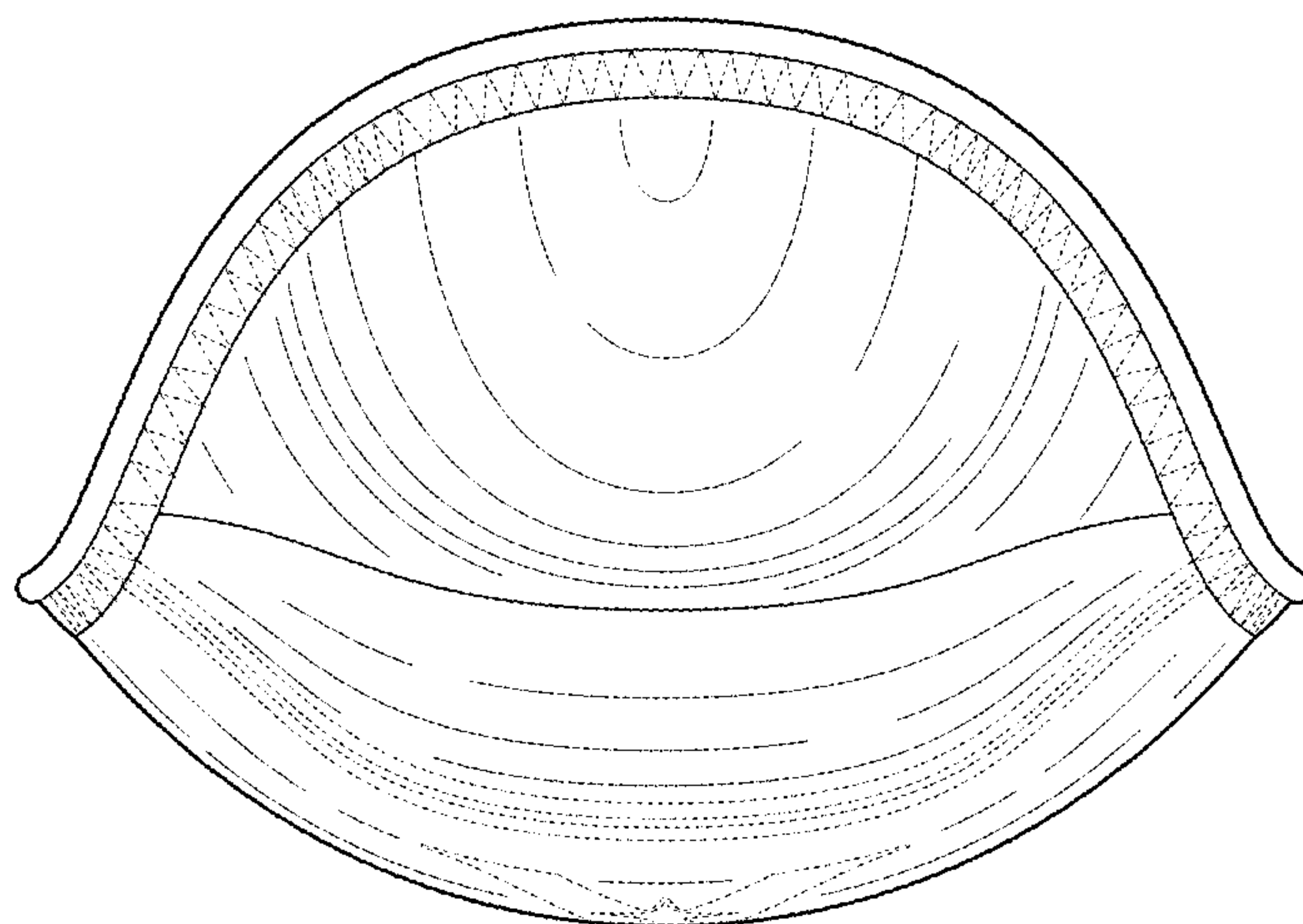


FIG. 15

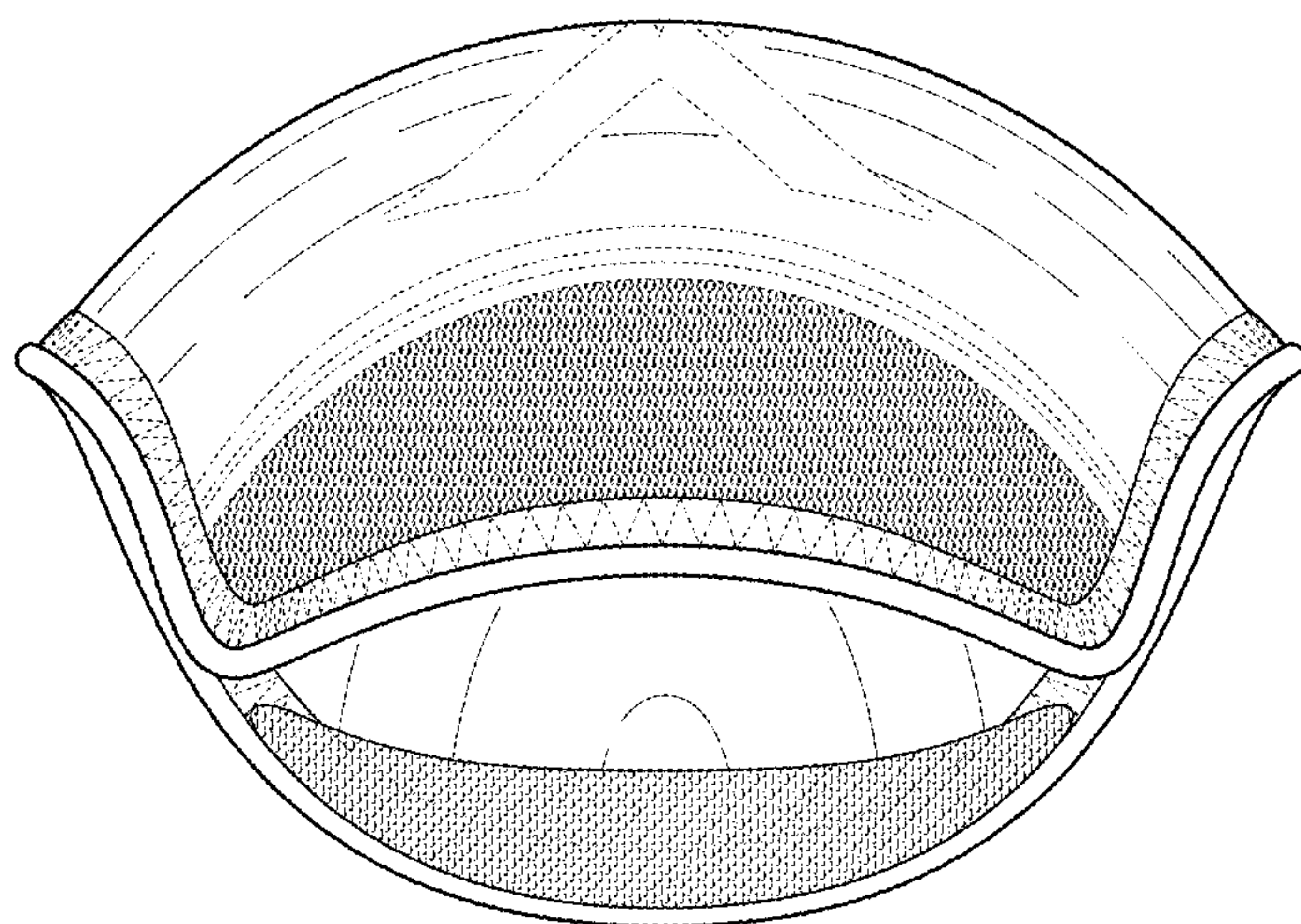


FIG. 16