



US00D818645S

(12) **United States Design Patent**
Cabrera

(10) **Patent No.:** **US D818,645 S**

(45) **Date of Patent:** **** May 22, 2018**

- (54) **SAFETY RAZOR HANDLE**
- (71) Applicant: **Edgewell Personal Care Brands, LLC.**, Chesterfield, MO (US)
- (72) Inventor: **Samantha Cabrera**, Milford, CT (US)
- (73) Assignee: **Edgewell Personal Care Brands, LLC.**, Chesterfield, MO (US)
- (**) Term: **15 Years**

D640,414 S *	6/2011	Wonderley	D28/46
D650,943 S *	12/2011	Micinilio	D28/46
D651,345 S	12/2011	Micinilio	
D659,287 S *	5/2012	Psimadas	D28/48
D674,546 S *	1/2013	Barrow	D28/46
D698,998 S *	2/2014	Lukan	D28/46
D698,999 S *	2/2014	Otsuka	D28/47
D699,396 S *	2/2014	Hasegawa	D28/48
D714,492 S *	9/2014	Cataudella	D28/48
D730,577 S *	5/2015	Mahony	D28/46
D736,466 S *	8/2015	Cataudella	D28/48
D773,734 S *	12/2016	Li	D28/48
D789,609 S *	6/2017	Kong	D28/48

- (21) Appl. No.: **29/595,194**
- (22) Filed: **Feb. 27, 2017**
- (51) **LOC (11) Cl.** **28-03**
- (52) **U.S. Cl.**
USPC **D28/48**
- (58) **Field of Classification Search**
USPC D28/44, 45-48
CPC B26B 21/54-21/60; B26B 21/00-21/06;
B26B 21/08-21/125; B26B 21/14-21/20;
B26B 21/22-21/24; B26B 21/28; B26B
21/30-21/32; B26B 21/34-21/38; B26B
21/40-21/4031; B26B 21/4043; B26B
21/4062; B26B 21/4068-21/4075; B26B
21/44-21/443; B26B 21/52-21/528
See application file for complete search history.

OTHER PUBLICATIONS

<http://www.schick.com/wproducts/schick-intuition-fab-razor>[Jan. 8, 2018 10:04:38 AM], schick intuition fab razor, 5 pages.*

* cited by examiner

Primary Examiner — Jennifer Rivard
(74) *Attorney, Agent, or Firm* — Edgewell Personal Care Brands, LLC.

(57) **CLAIM**

I claim ornamental design for the safety razor handle, as shown and described.

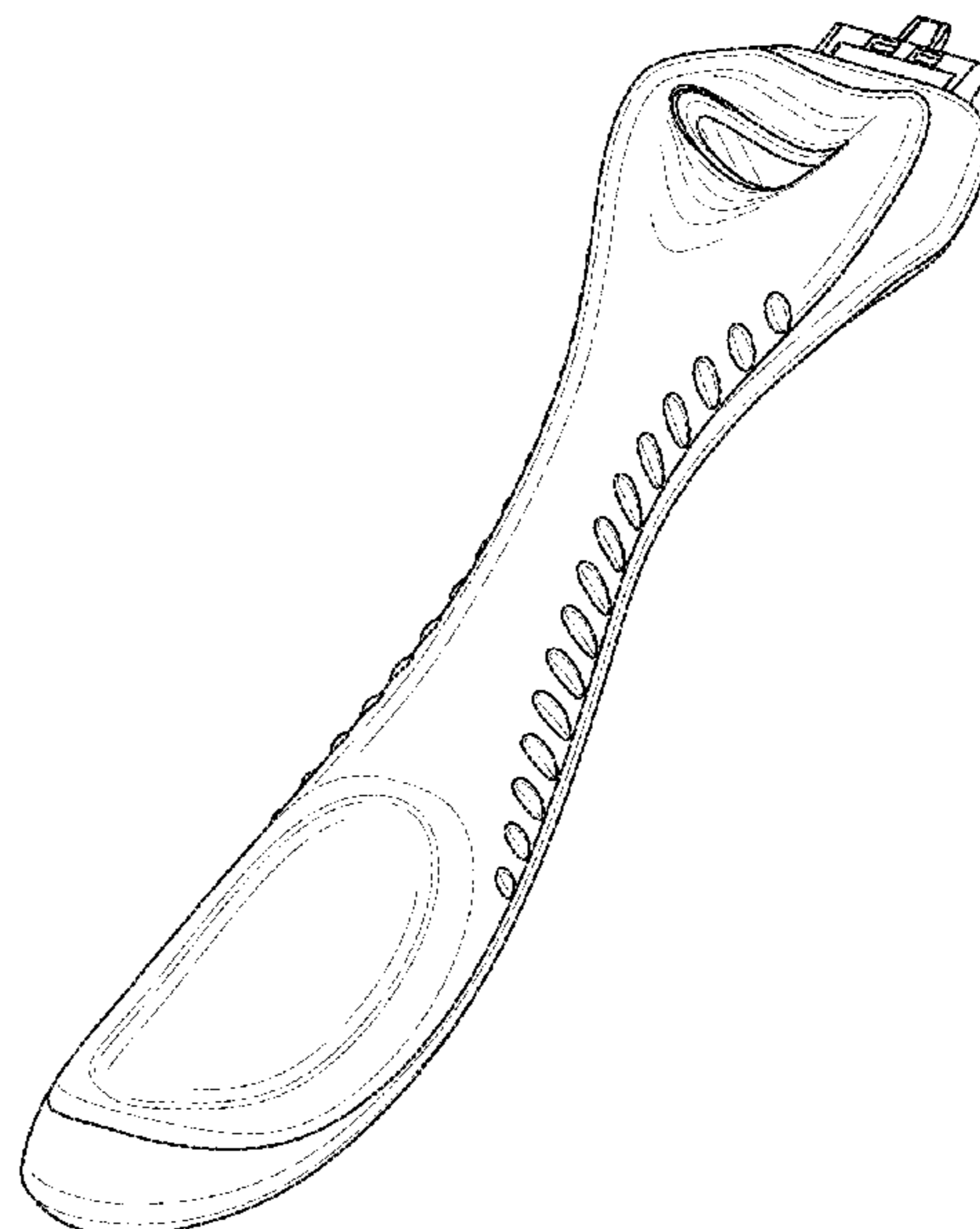
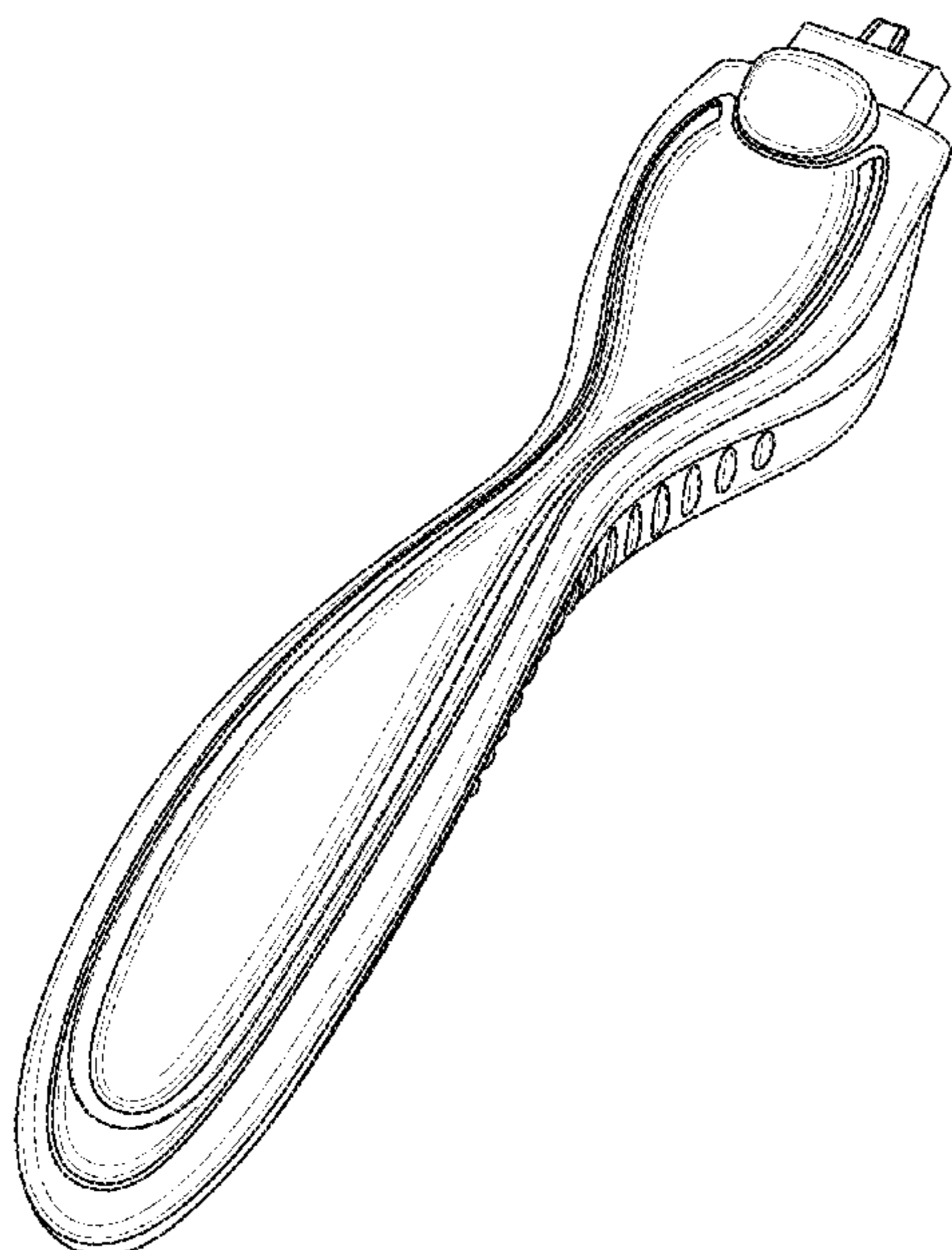
DESCRIPTION

FIG. 1 is an upper perspective view of a safety razor handle. FIG. 2 is a lower perspective view thereof. FIG. 3 is a rear view thereof. FIG. 4 is a front view thereof. FIG. 5 is a left side view of FIG. 3. FIG. 6 is a right side view of FIG. 3. FIG. 7 is a top view thereof; and, FIG. 8 is a bottom view thereof.

1 Claim, 4 Drawing Sheets

(56) **References Cited**
U.S. PATENT DOCUMENTS

D495,828 S	9/2004	Ham et al.	
D536,830 S	2/2007	Ramm et al.	
D558,923 S	1/2008	Watson et al.	
D563,047 S	2/2008	Ramm et al.	
D635,718 S *	4/2011	White, Jr.	D28/48
D636,533 S *	4/2011	Andersen	D28/48
D636,938 S *	4/2011	White, Jr.	D28/48
D640,004 S *	6/2011	Wonderley	D28/46



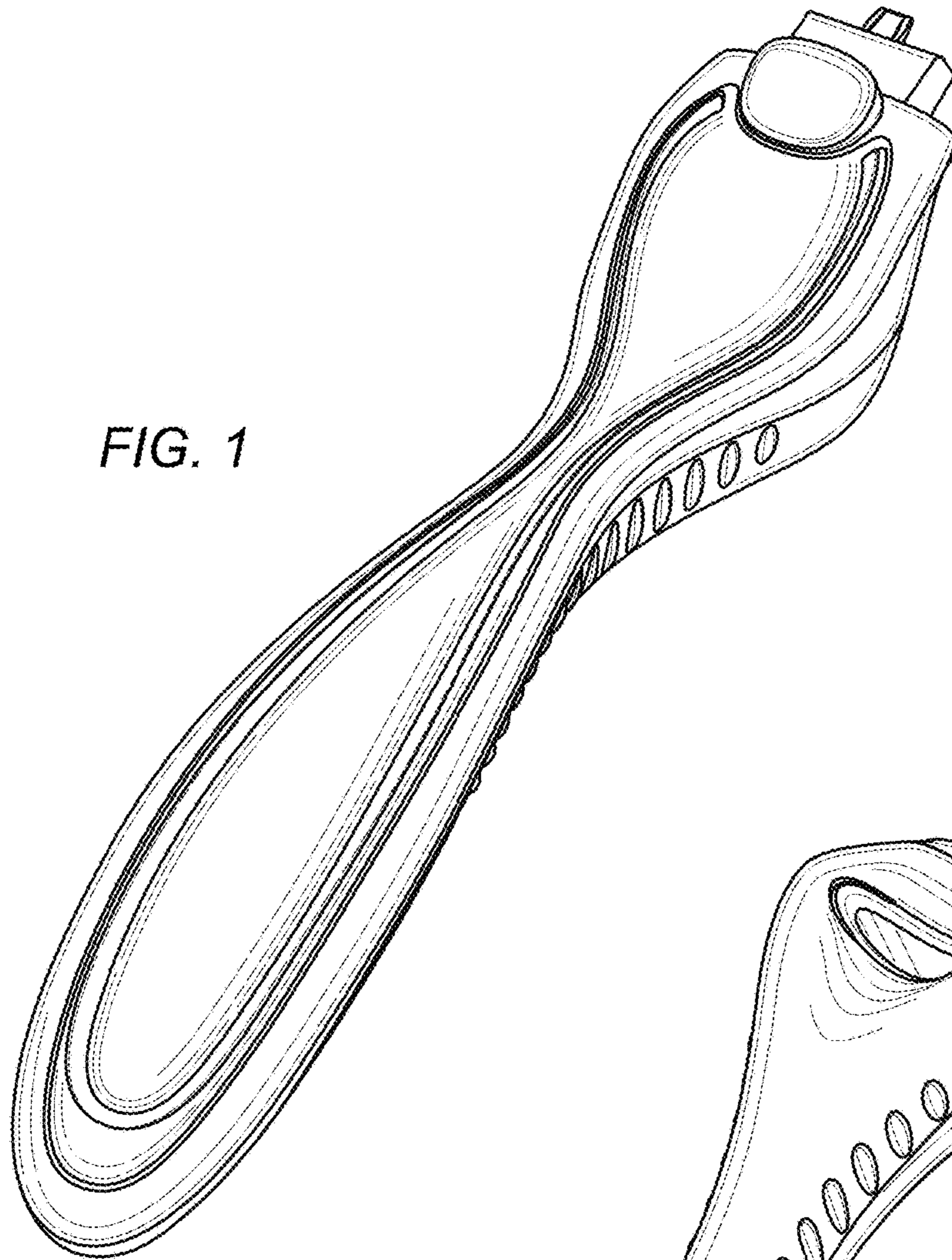


FIG. 1

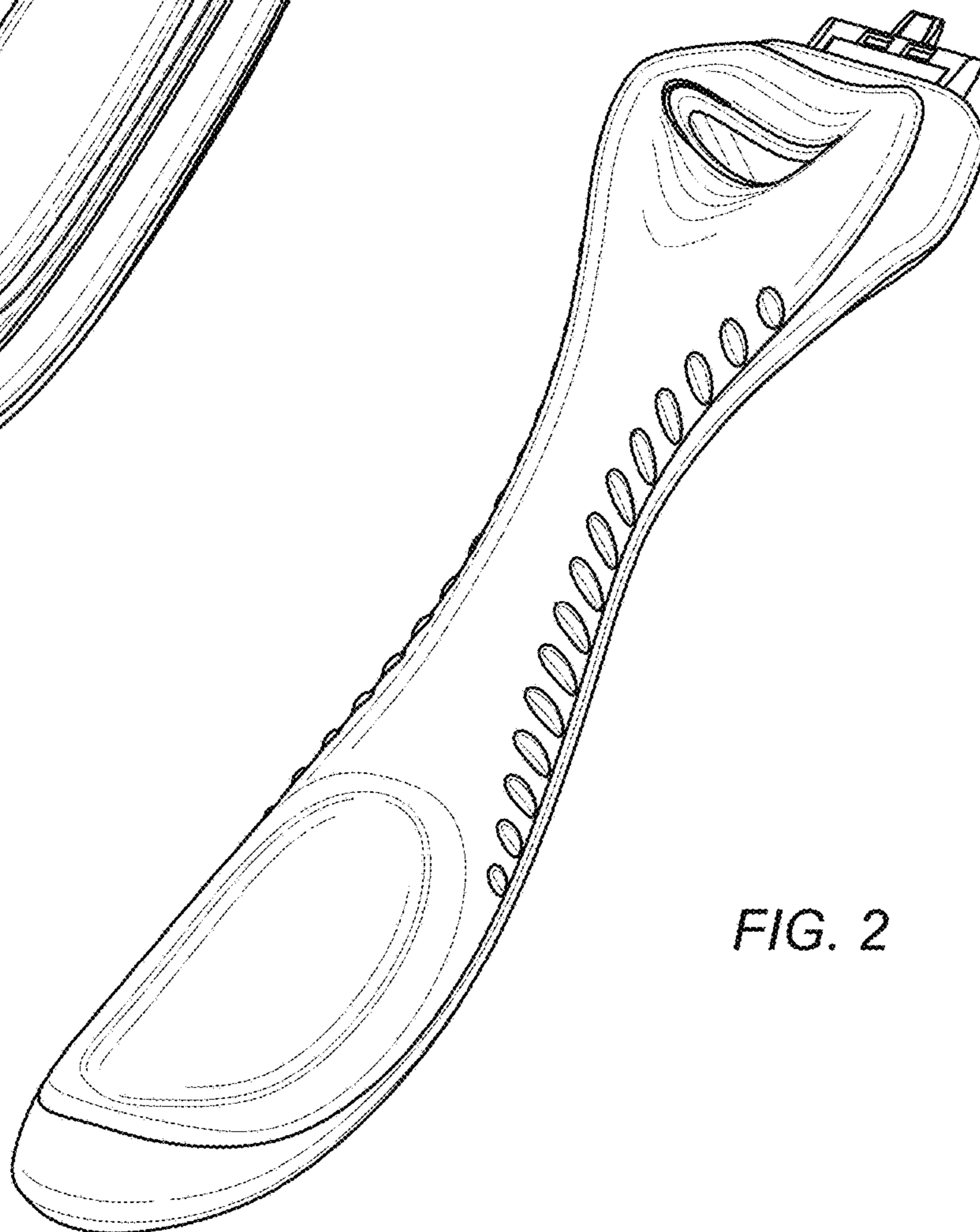


FIG. 2

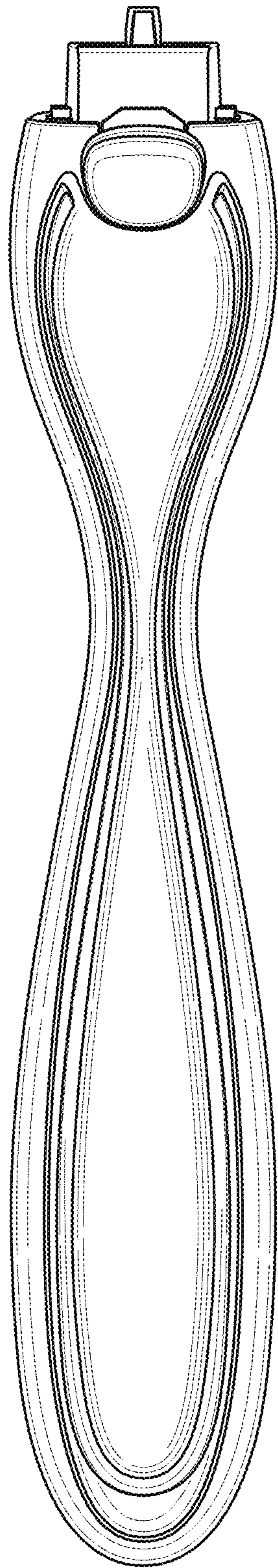


FIG. 3

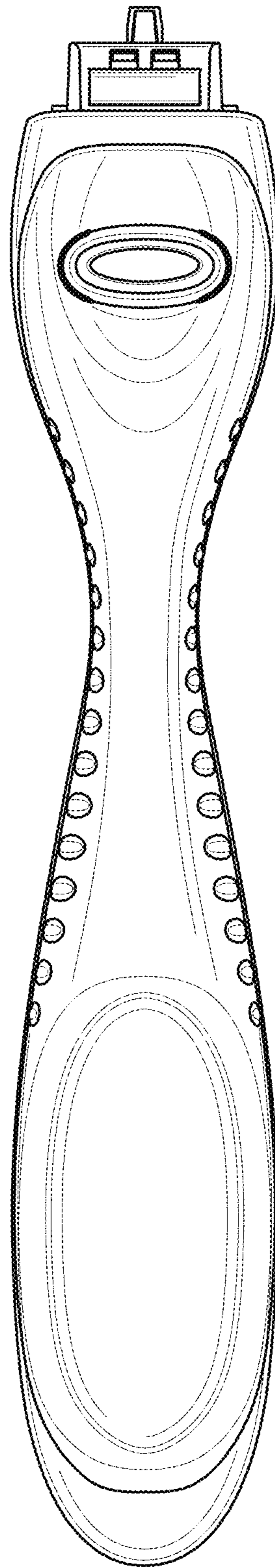


FIG. 4

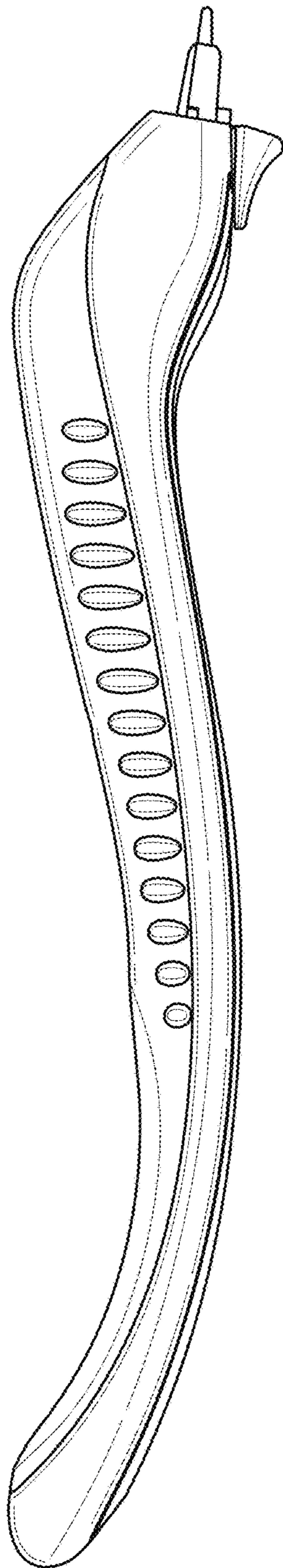


FIG. 5

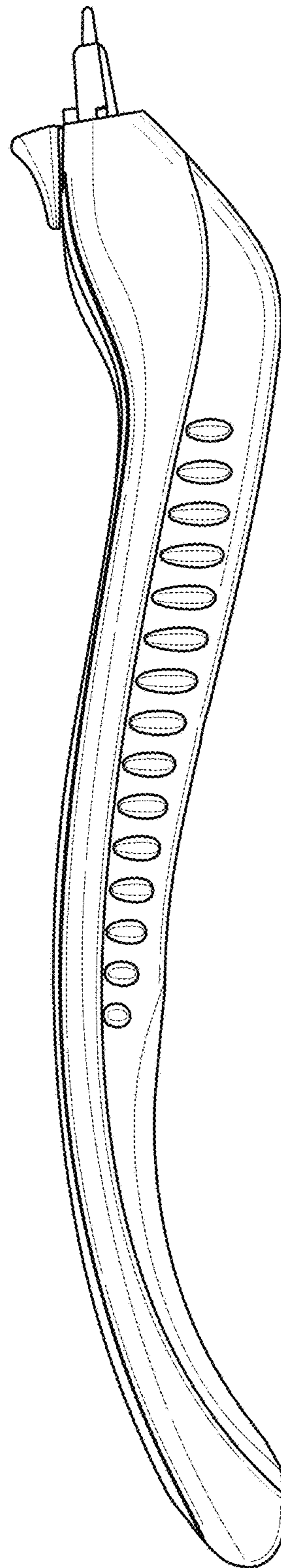


FIG. 6

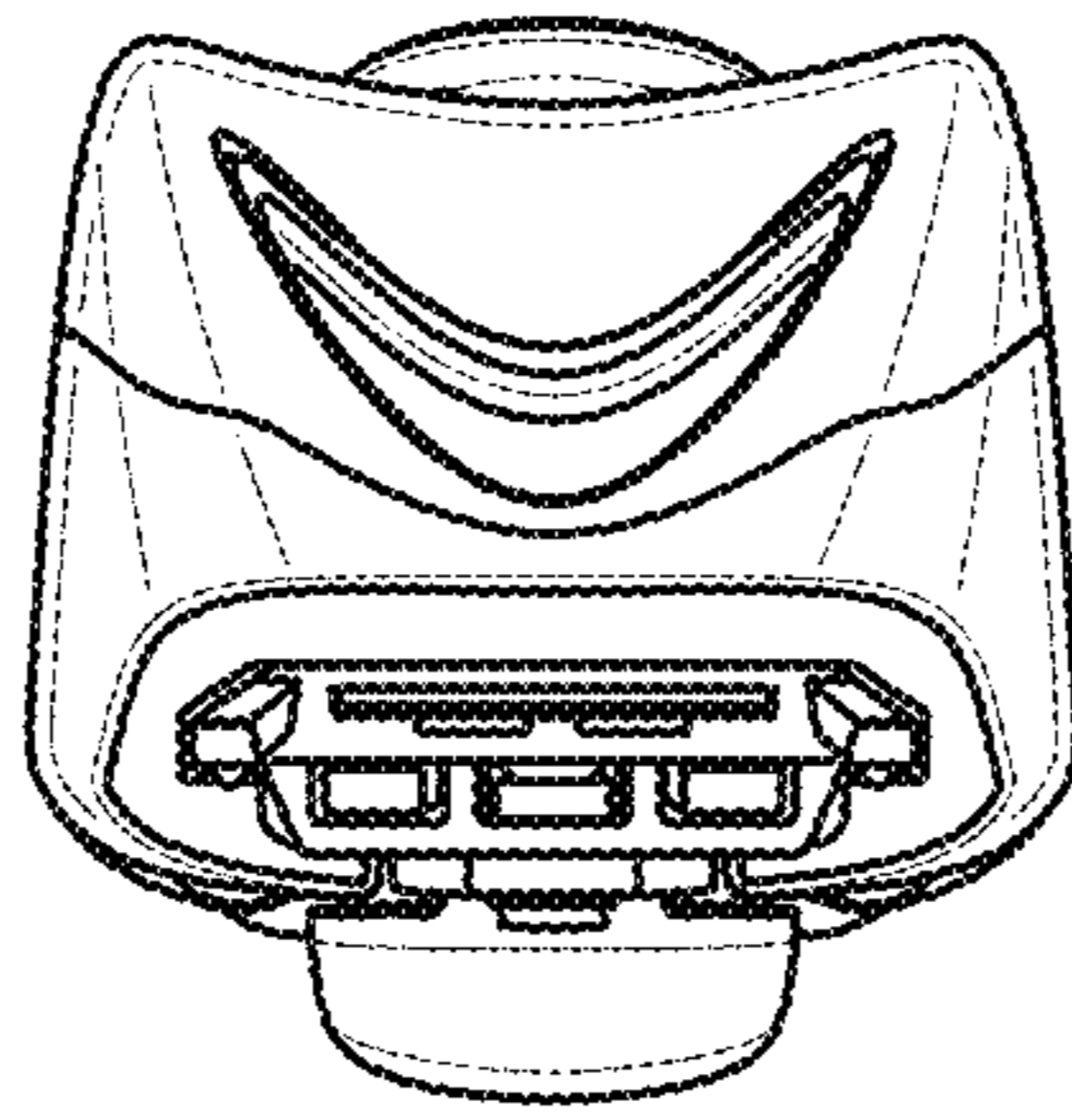


FIG. 7

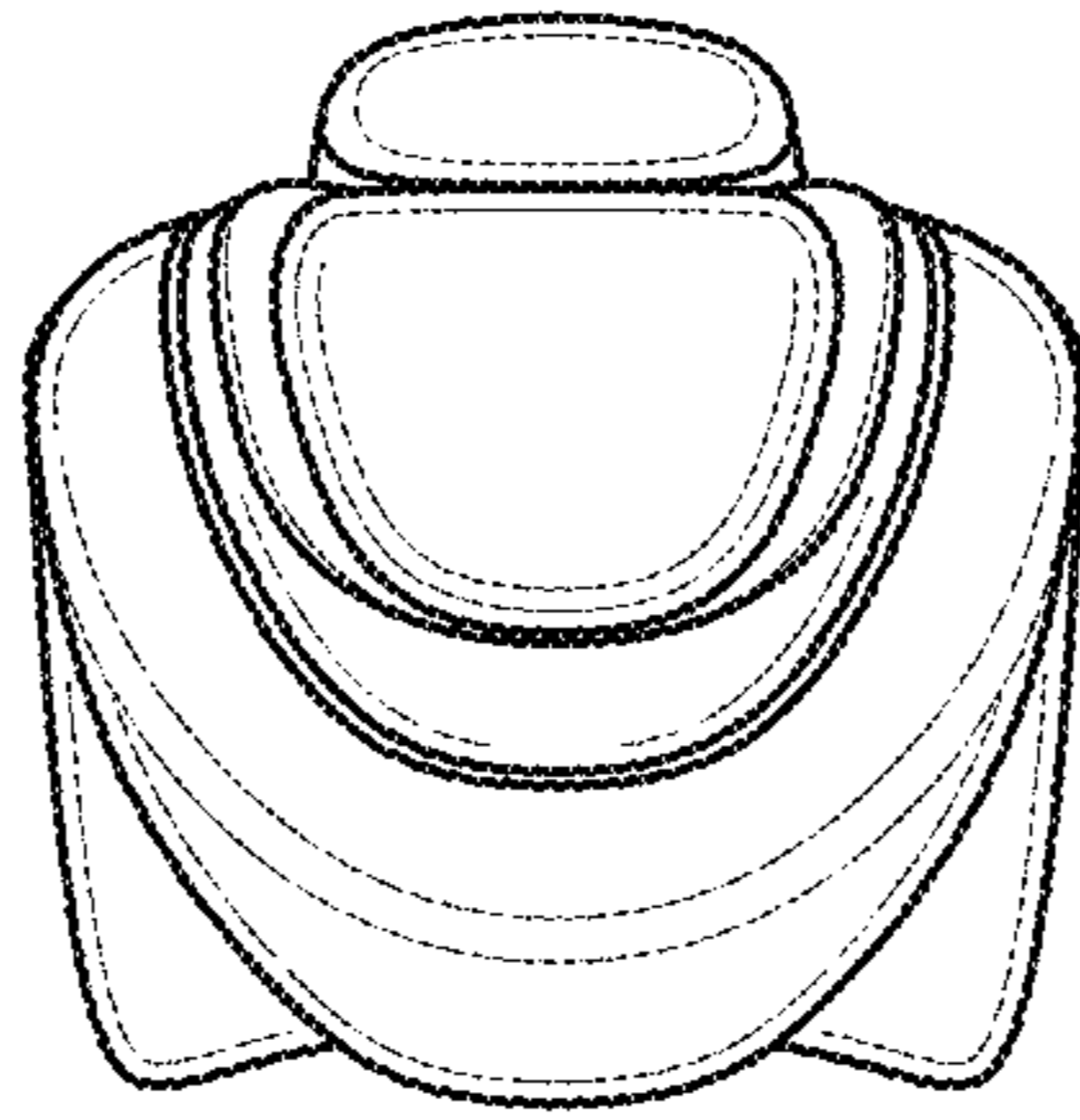


FIG. 8