



US00D818644S

(12) **United States Design Patent** (10) **Patent No.:** **US D818,644 S**
Poladian (45) **Date of Patent:** **** May 22, 2018**

- (54) **RAZOR HANDLE**
- (71) Applicant: **Thomas M. Poladian**, Dearborn, MI (US)
- (72) Inventor: **Thomas M. Poladian**, Dearborn, MI (US)
- (**) Term: **15 Years**
- (21) Appl. No.: **29/585,380**
- (22) Filed: **Nov. 23, 2016**
- (51) **LOC (11) Cl.** **28-03**
- (52) **U.S. Cl.**
USPC **D28/48**
- (58) **Field of Classification Search**
USPC D28/46-48
CPC B26B 21/08-21/32; B26B 21/34-21/38;
B26B 21/405-21/4062; B26B
21/52-21/528; B26B 21/4068-21/4075
See application file for complete search history.

(56) **References Cited**

U.S. PATENT DOCUMENTS

- 2,019,957 A * 11/1935 England B26B 21/06
30/32
- 2,573,980 A * 11/1951 Mitchell B26B 21/16
30/83
- 2,794,246 A * 6/1957 Marsh B26B 21/06
30/32
- 3,078,569 A * 2/1963 Sidney B26B 21/06
30/32
- D254,692 S * 4/1980 Del Re D28/46
- 4,700,477 A * 10/1987 Heller B26B 21/4043
30/27
- D293,036 S * 12/1987 Iten D28/48
- D369,437 S * 4/1996 Armbruster D28/46

- 5,865,189 A * 2/1999 Andrews B26B 21/00
132/200
- D696,461 S * 12/2013 Prat-Pfister D28/53
- 2004/0035003 A1 * 2/2004 Stiles B26B 21/22
30/50
- 2008/0040936 A1 * 2/2008 Stiles B26B 21/22
30/541
- 2009/0007443 A1 * 1/2009 Cuocolo, Jr. B26B 21/10
30/526
- 2009/0126197 A1 * 5/2009 Tomassetti B26B 21/446
30/41
- 2013/0247393 A1 * 9/2013 Poladian B26B 21/06
30/526
- 2013/0276311 A1 * 10/2013 Clemons B26B 21/4037
30/50
- 2015/0360378 A1 * 12/2015 Stiles B26B 21/22
30/526

* cited by examiner

Primary Examiner — Jennifer Rivard
(74) *Attorney, Agent, or Firm* — Ronald R. Kilponen

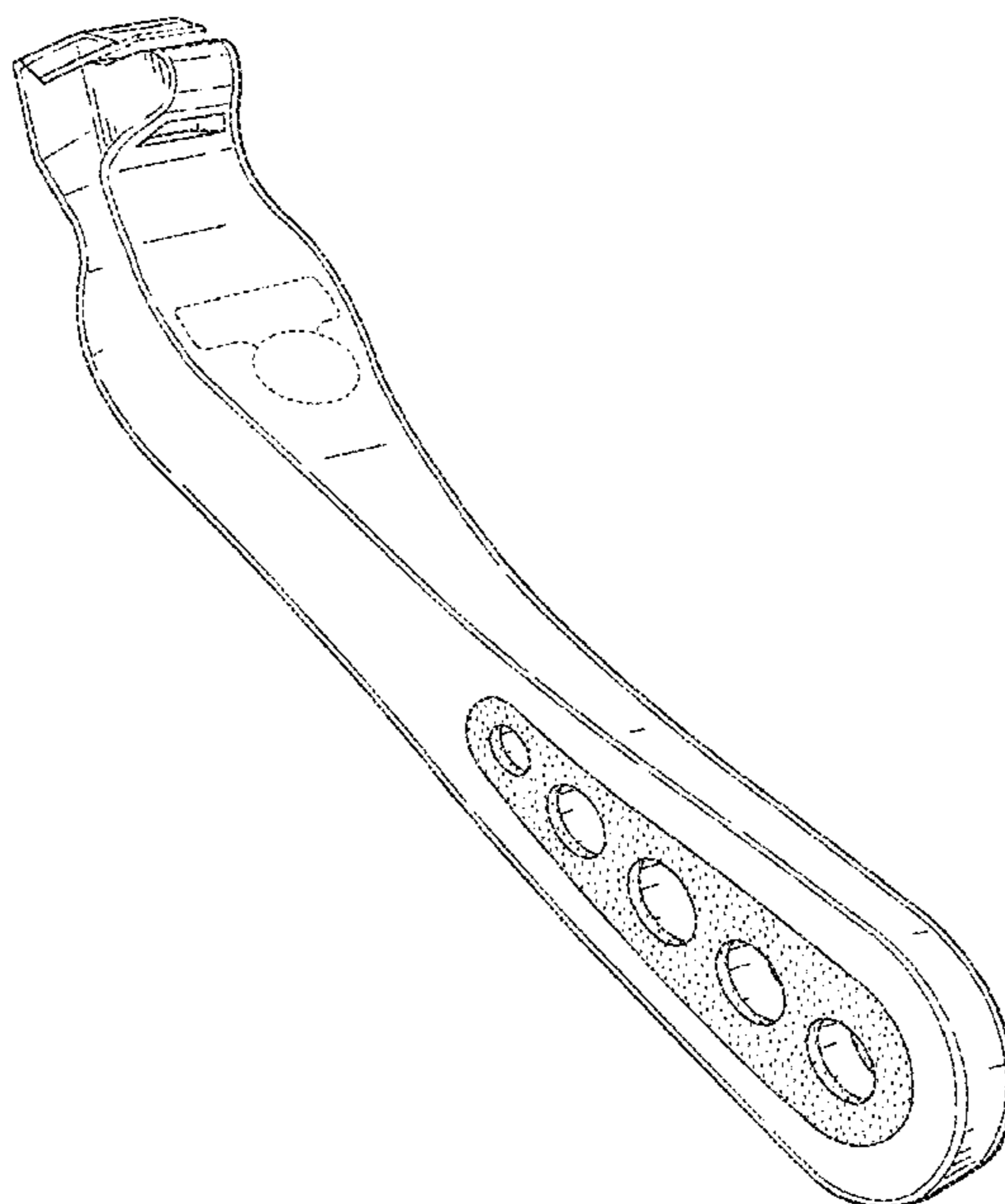
(57) **CLAIM**

I claim the ornamental design for a razor handle, as shown and described.

DESCRIPTION

FIG. 1 is a perspective view of the razor handle showing the new design;
FIG. 2 is a left side view thereof;
FIG. 3 is a right side view with thereof;
FIG. 4 is a back side view thereof;
FIG. 5 is a front side view thereof;
FIG. 6 is a top view thereof; and,
FIG. 7 is a bottom view thereof.
The broken lines illustrate the environment of the razor handle and form no part of the claimed design.

1 Claim, 4 Drawing Sheets



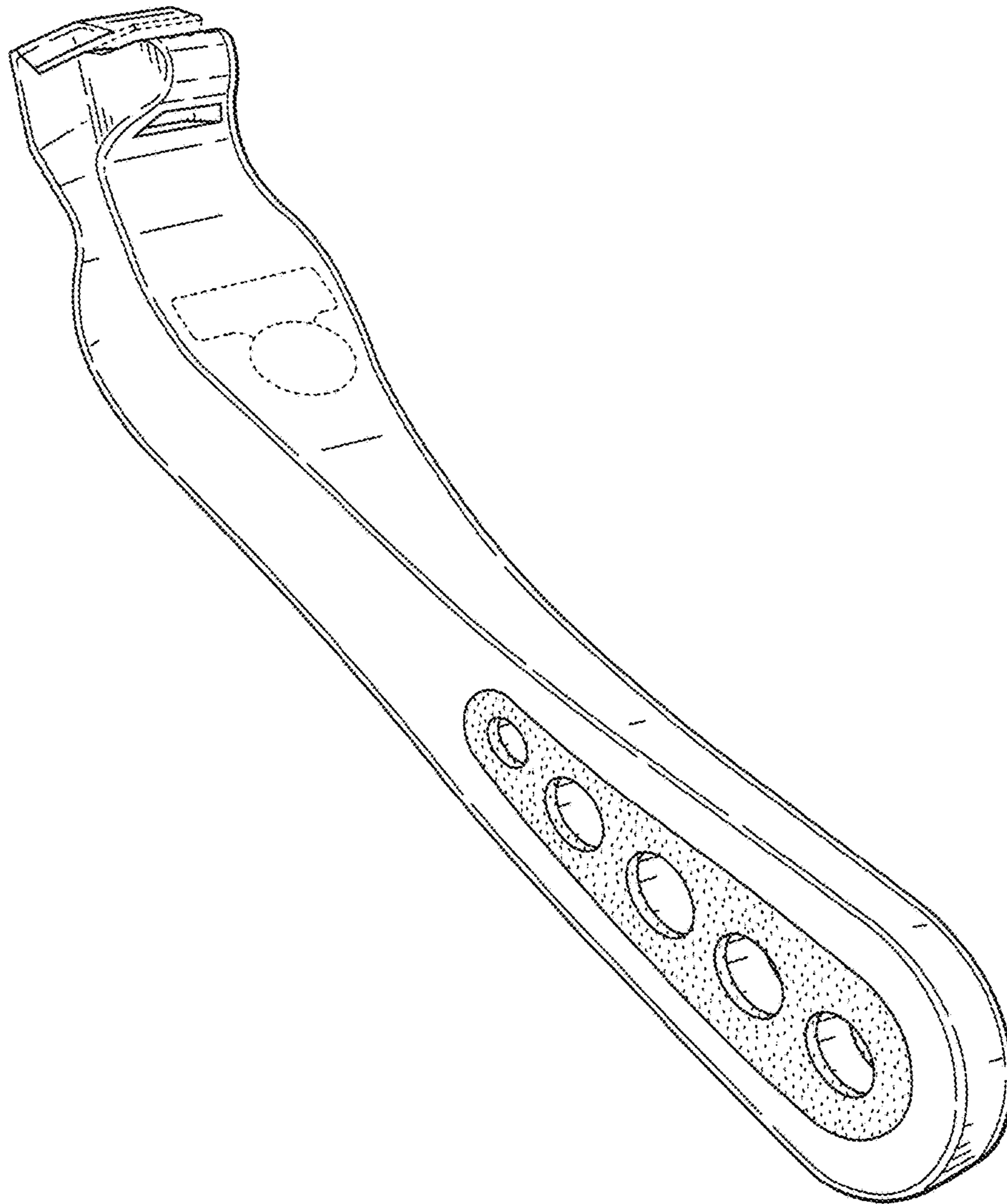


FIG. 1

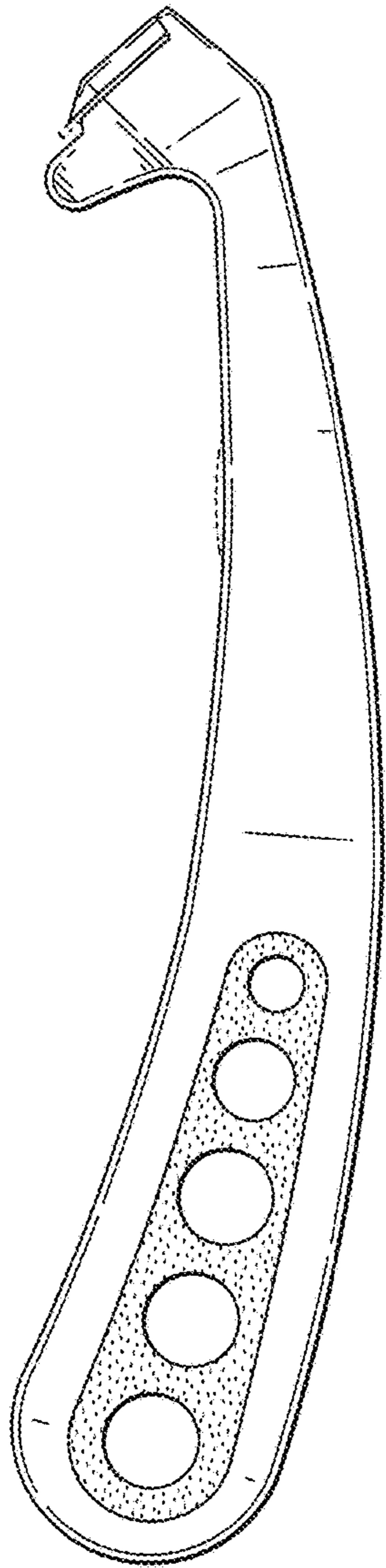


FIG. 2

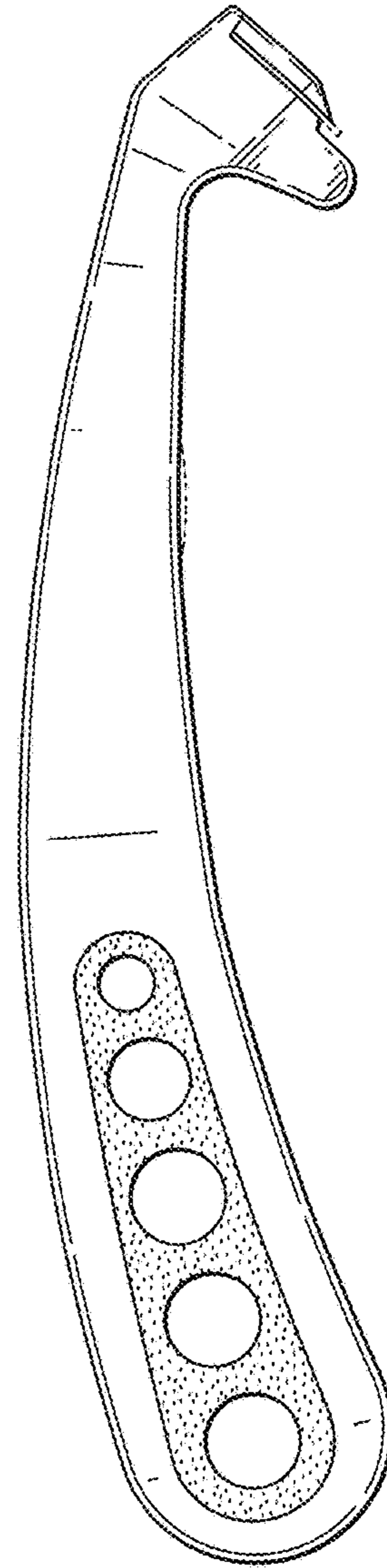


FIG. 3

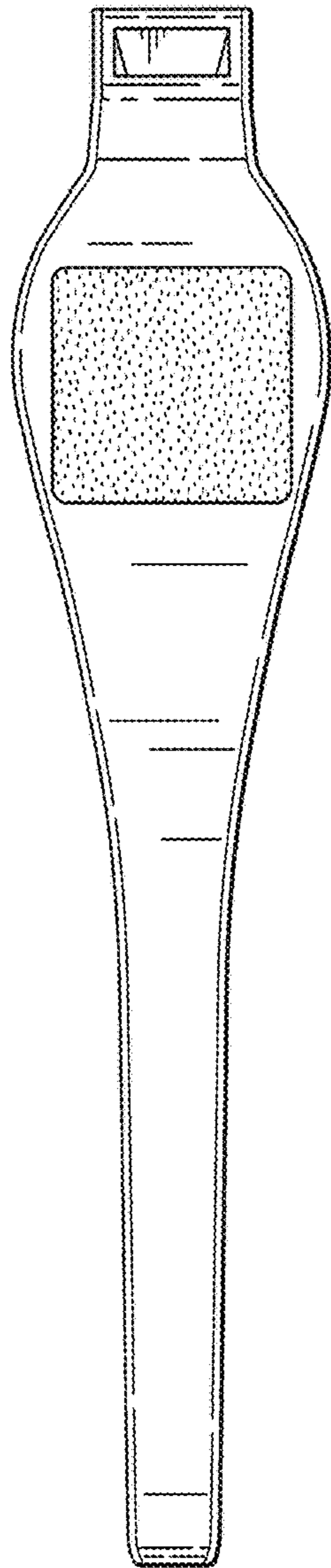


FIG. 4

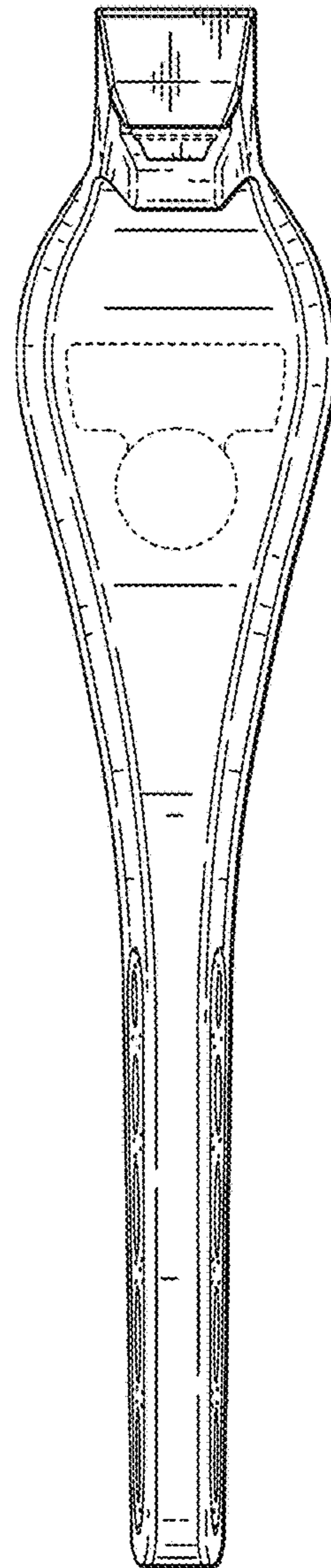


FIG. 5

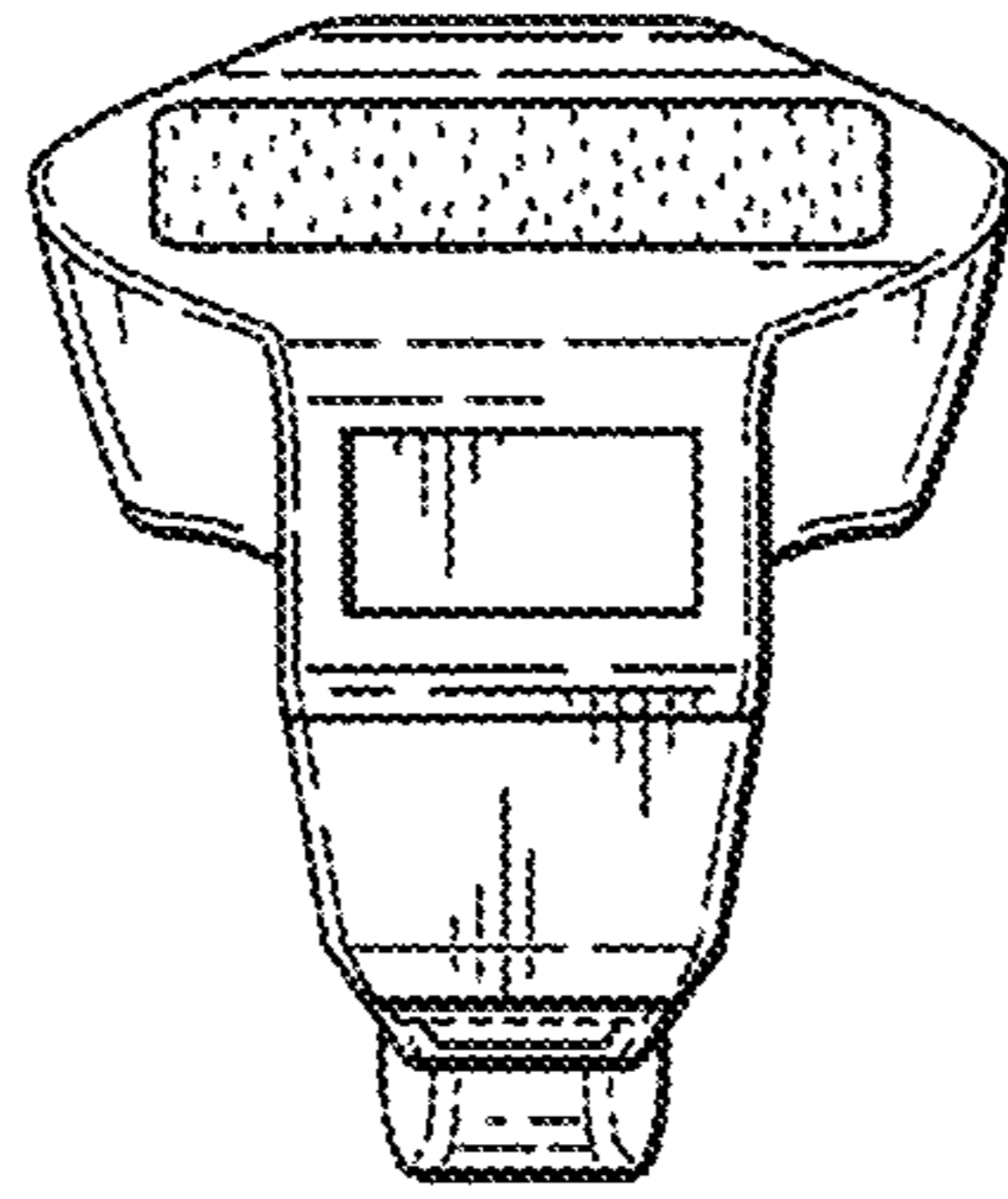


FIG. 6

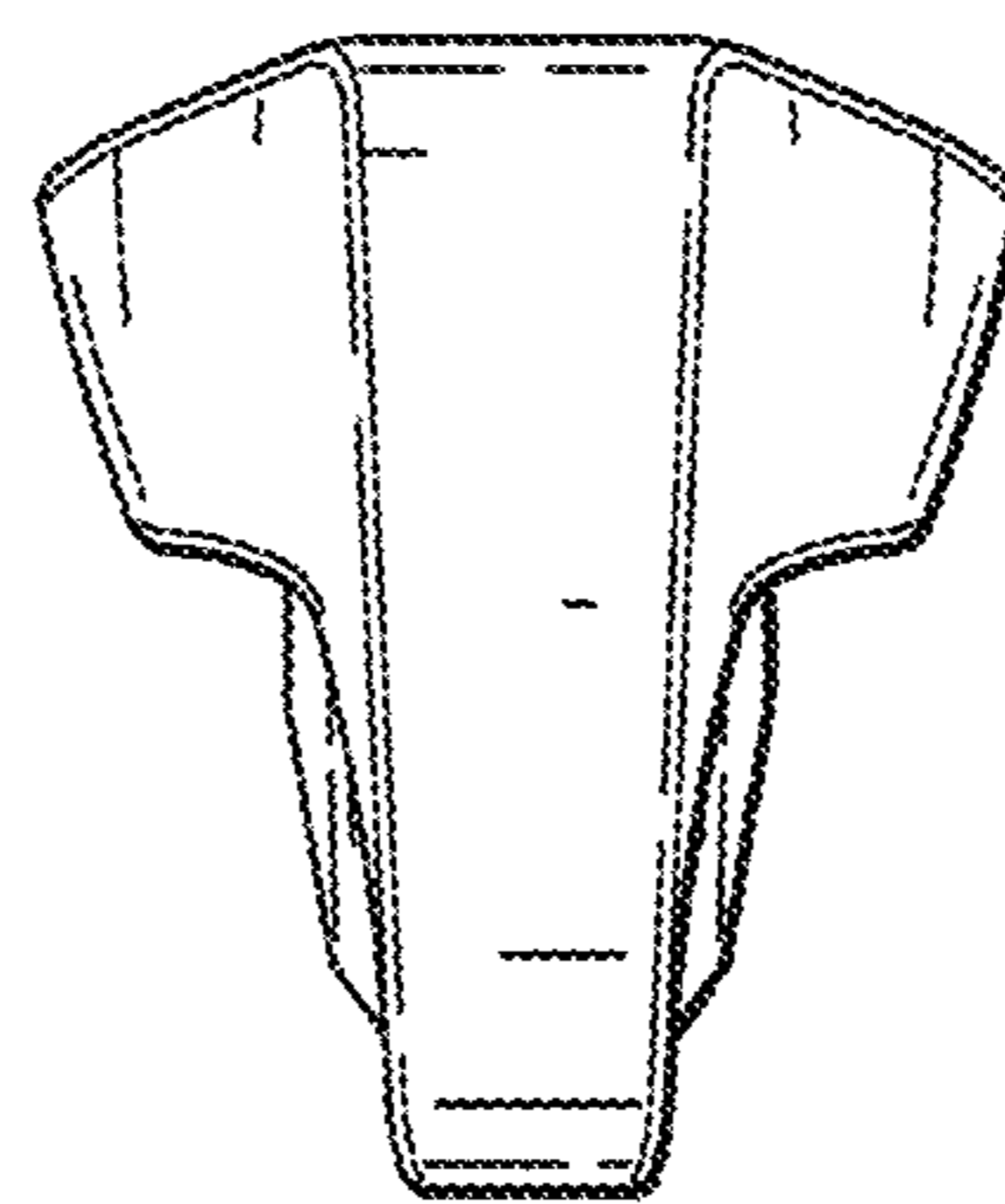


FIG. 7