



US00D818642S

(12) **United States Design Patent**
Hogan et al.

(10) **Patent No.:** **US D818,642 S**
(45) **Date of Patent:** **** May 22, 2018**

- (54) **HAIR COLORATION DEVICE**
- (71) Applicant: **Henkel AG & Co. KGaA**, Duesseldorf (DE)
- (72) Inventors: **Louise Hogan**, Hamburg (DE); **Erik Schulze zur Wiesche**, Hamburg (DE)
- (73) Assignee: **Henkel AG & Co. KGaA** (DE)
- (**) Term: **15 Years**
- (21) Appl. No.: **29/587,297**
- (22) Filed: **Dec. 12, 2016**
- (51) **LOC (11) Cl.** **28-03**
- (52) **U.S. Cl.**
USPC **D28/7**
- (58) **Field of Classification Search**
USPC D28/20, 7, 10, 18; D8/90; D9/759, 760; D19/103, 104; D32/40; 8/431, 405; 15/209.1, 210.1, 210.5, 118; 132/317; 401/23, 25, 296, 207, 139
CPC A45D 40/00; A45D 40/18; A45D 40/0087; A45D 40/222; A45D 40/225; A45D 33/00; A45D 33/006; A45D 33/008; A45D 33/003; A45D 33/18; A45D 33/025; A45D 2034/007
See application file for complete search history.

- 6,524,175 B2 * 2/2003 Beaudry B24D 15/023 451/523
- D478,689 S 8/2003 Thorpe
- D480,619 S * 10/2003 Koenig, Jr. D8/90
- D484,364 S 12/2003 Bailey et al.
- D527,974 S * 9/2006 Petersen D8/90
- 7,117,874 B2 * 10/2006 Gubernick A45D 33/003 132/294
- D561,944 S 2/2008 Ashiwa et al.
- D577,167 S * 9/2008 Bogaerts D32/40
- D578,718 S * 10/2008 Bettanin D32/40
- D587,416 S * 2/2009 Ashe D32/40
- D591,018 S * 4/2009 Bogaerts D32/40
- D591,175 S 4/2009 Larson
- D599,611 S 9/2009 Hoekstra
- D636,219 S 4/2011 Cornu et al.
- D643,311 S 8/2011 Meyers
- D667,187 S * 9/2012 Sowinski D32/40
- D674,565 S * 1/2013 Koenig D32/40
- D727,750 S 4/2015 Murphy
- D732,781 S * 6/2015 Gimbel D32/40

(Continued)

Primary Examiner — Susan Bennett Hattan
Assistant Examiner — Rebecca Tsehaye
(74) *Attorney, Agent, or Firm* — P. Scott Smith

(57) **CLAIM**

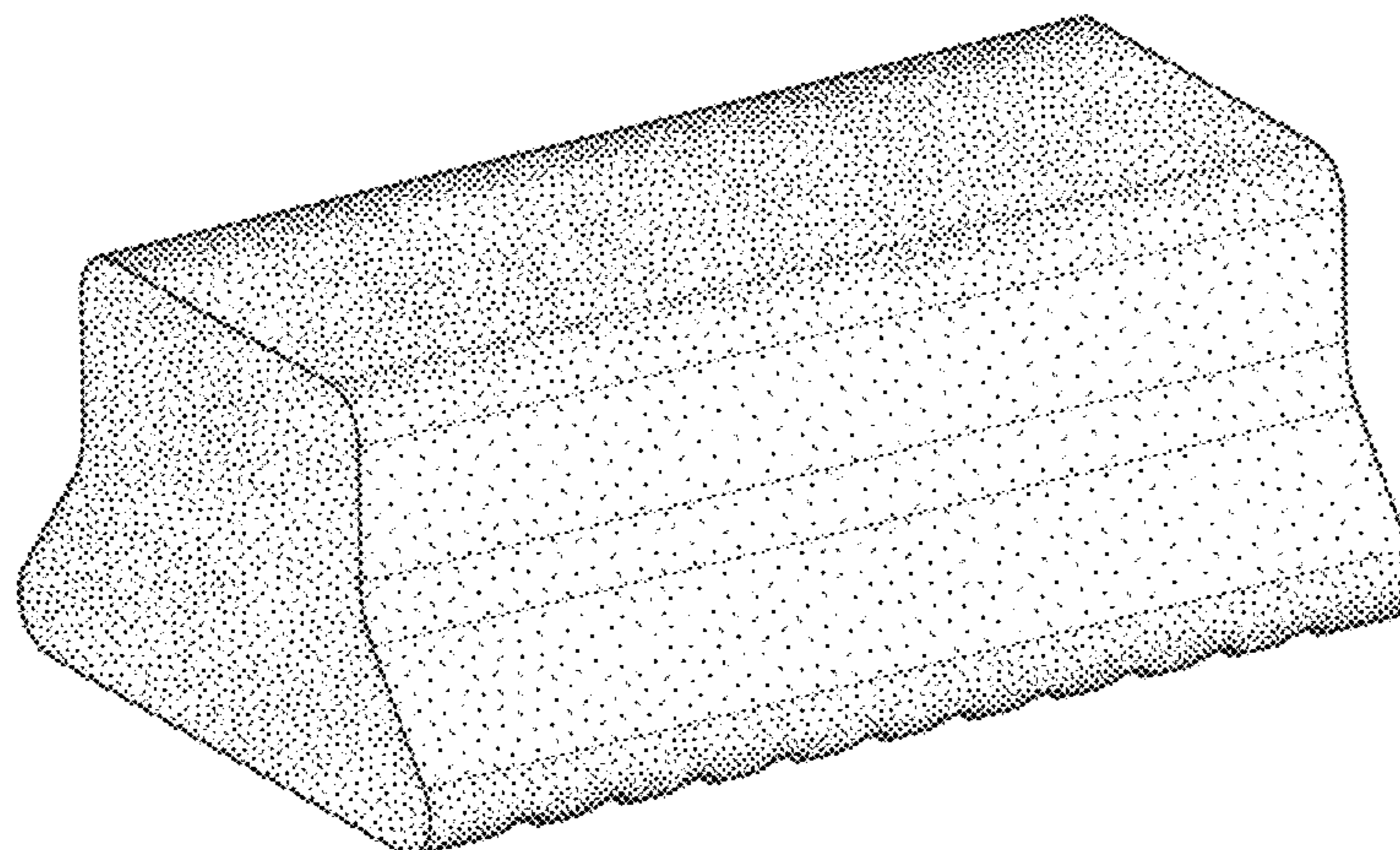
The ornamental design for “a” hair coloration device, as shown and described.

DESCRIPTION

FIG. 1 is a top perspective view of our hair coloration device in accordance with our invention;
FIG. 2 is a bottom perspective view thereof;
FIG. 3 is a front view thereof, an opposing rear view being a mirror image thereof;
FIG. 4 is a side view thereof, an opposing side view being a mirror image thereof;
FIG. 5 is a top view thereof; and,
FIG. 6 is a bottom view thereof.

1 Claim, 3 Drawing Sheets

- (56) **References Cited**
U.S. PATENT DOCUMENTS
- D241,176 S 8/1976 Kingsford
- D262,833 S 1/1982 Pedersen
- D272,203 S 1/1984 Di Bartolo
- D277,037 S 1/1985 Nadel
- D280,245 S 8/1985 Buchet
- D367,172 S 2/1996 Brightbill et al.
- D367,878 S 3/1996 Lee et al.
- D420,855 S 2/2000 Hurley
- D422,753 S 4/2000 Einarson



(56)

References Cited

U.S. PATENT DOCUMENTS

D743,812 S 11/2015 Lamb et al.
D803,906 S * 11/2017 Lehoux D15/126

* cited by examiner

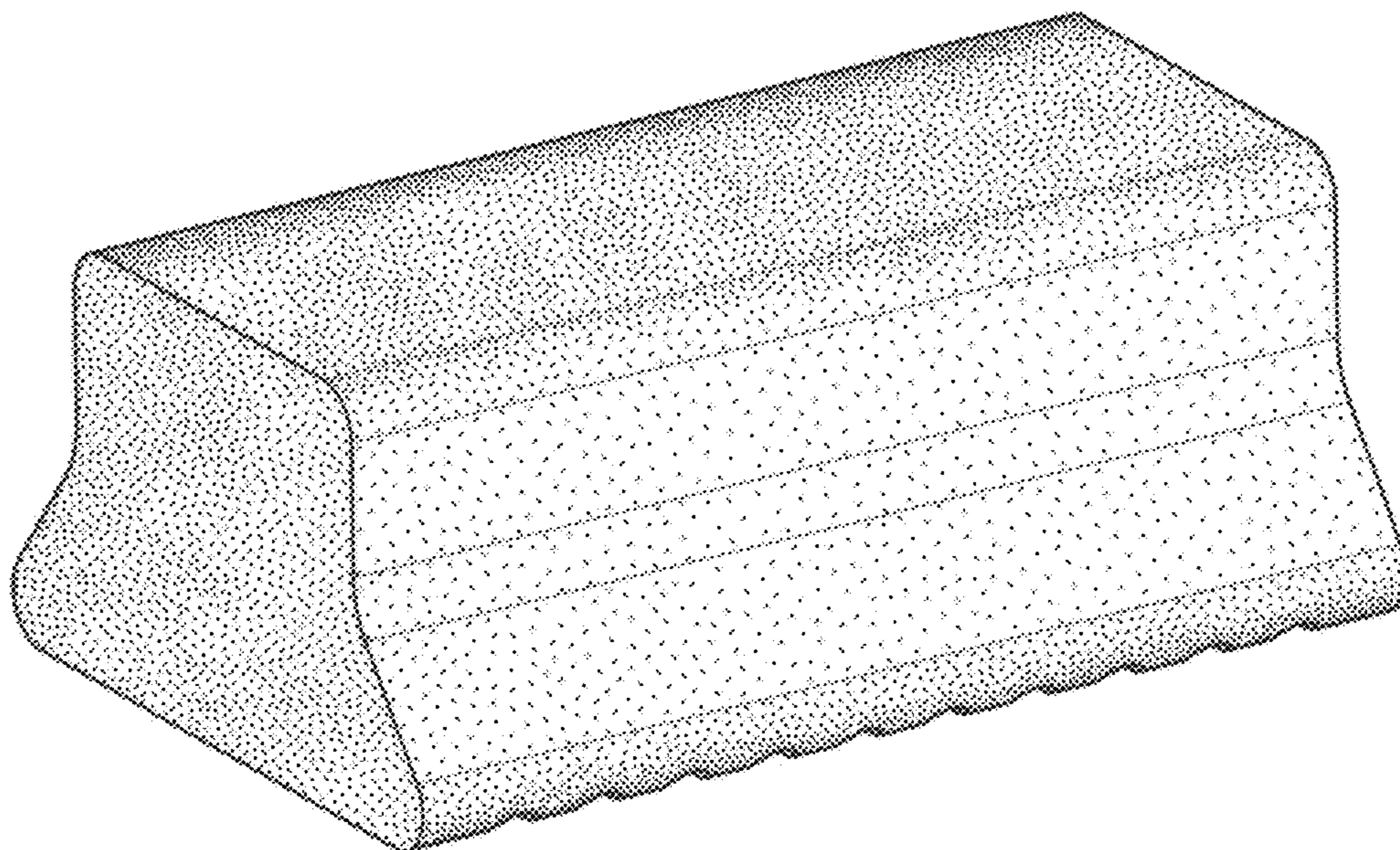


FIG. 1

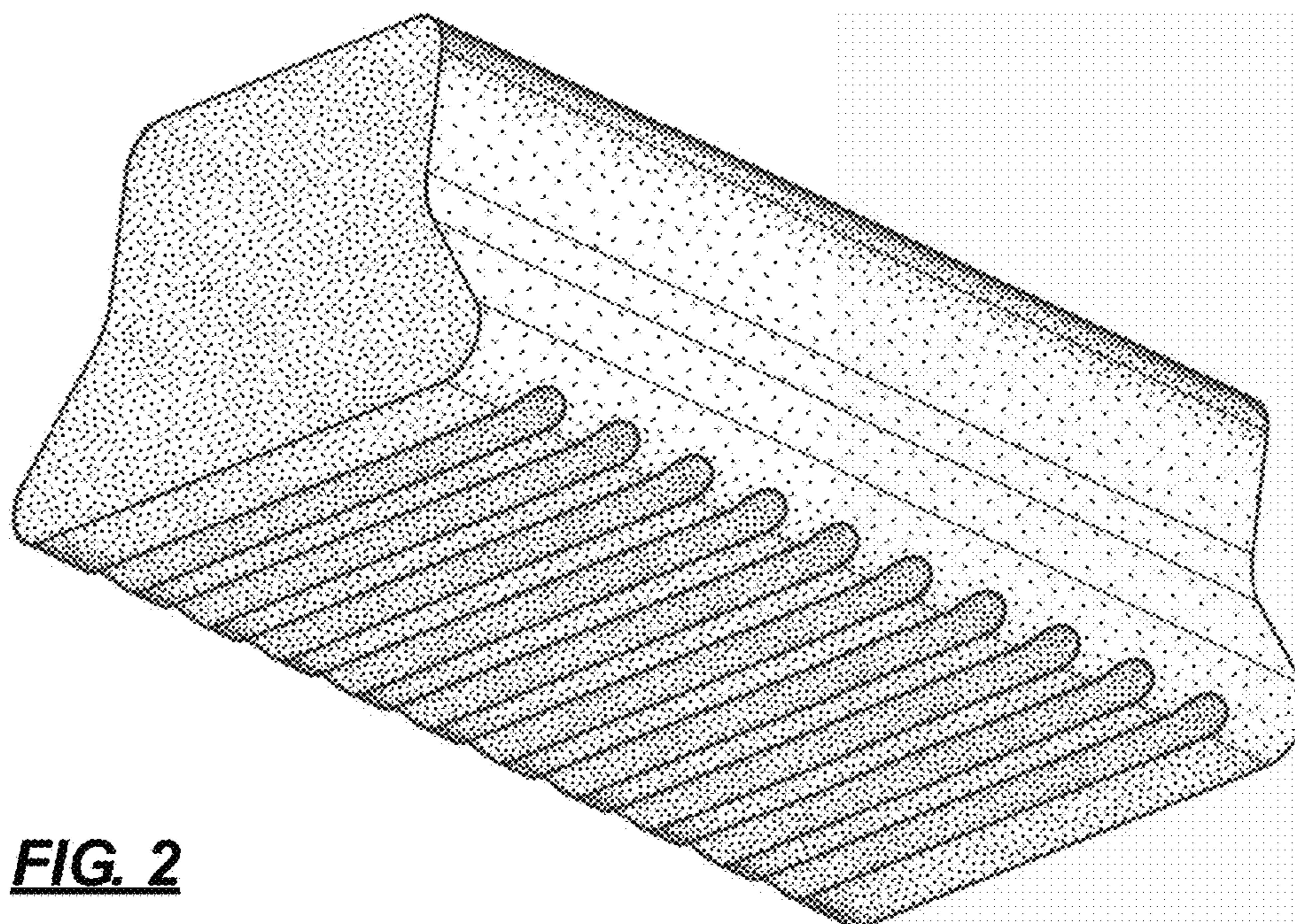


FIG. 2

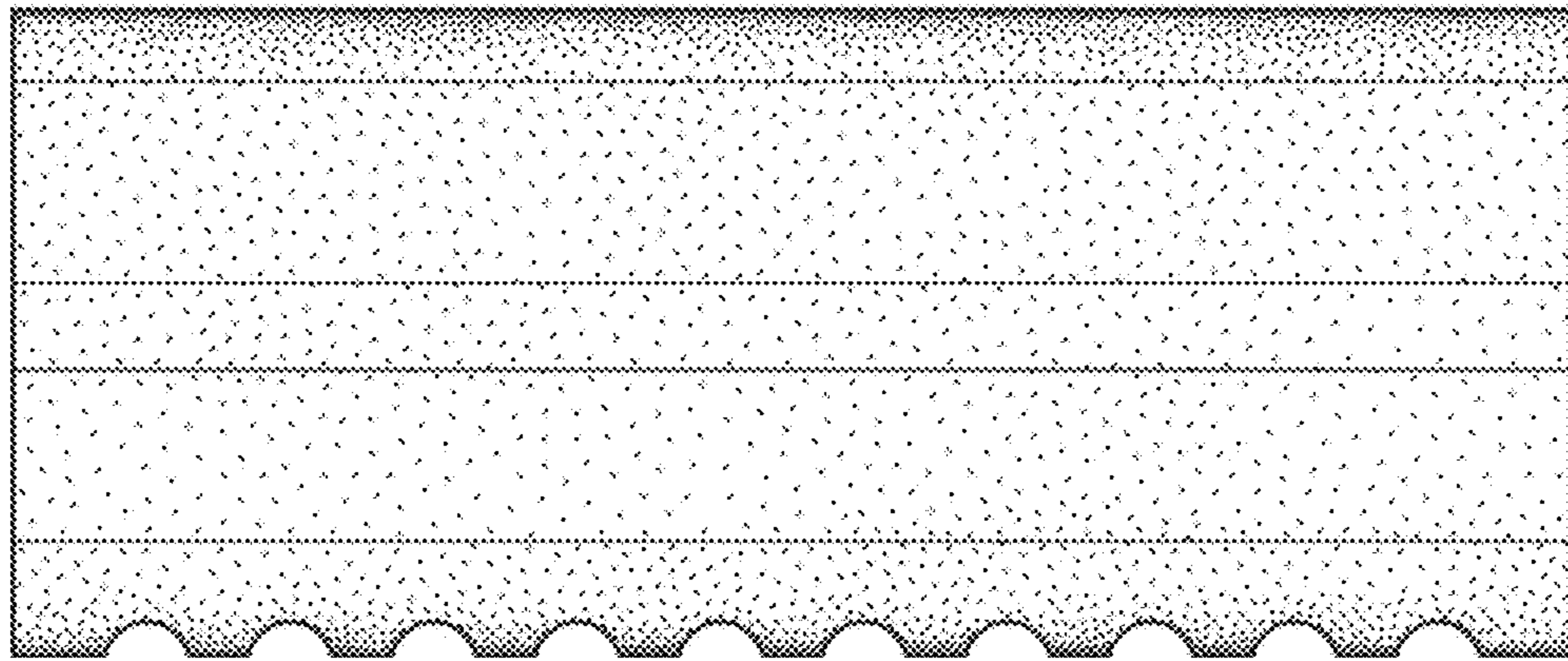


FIG. 3

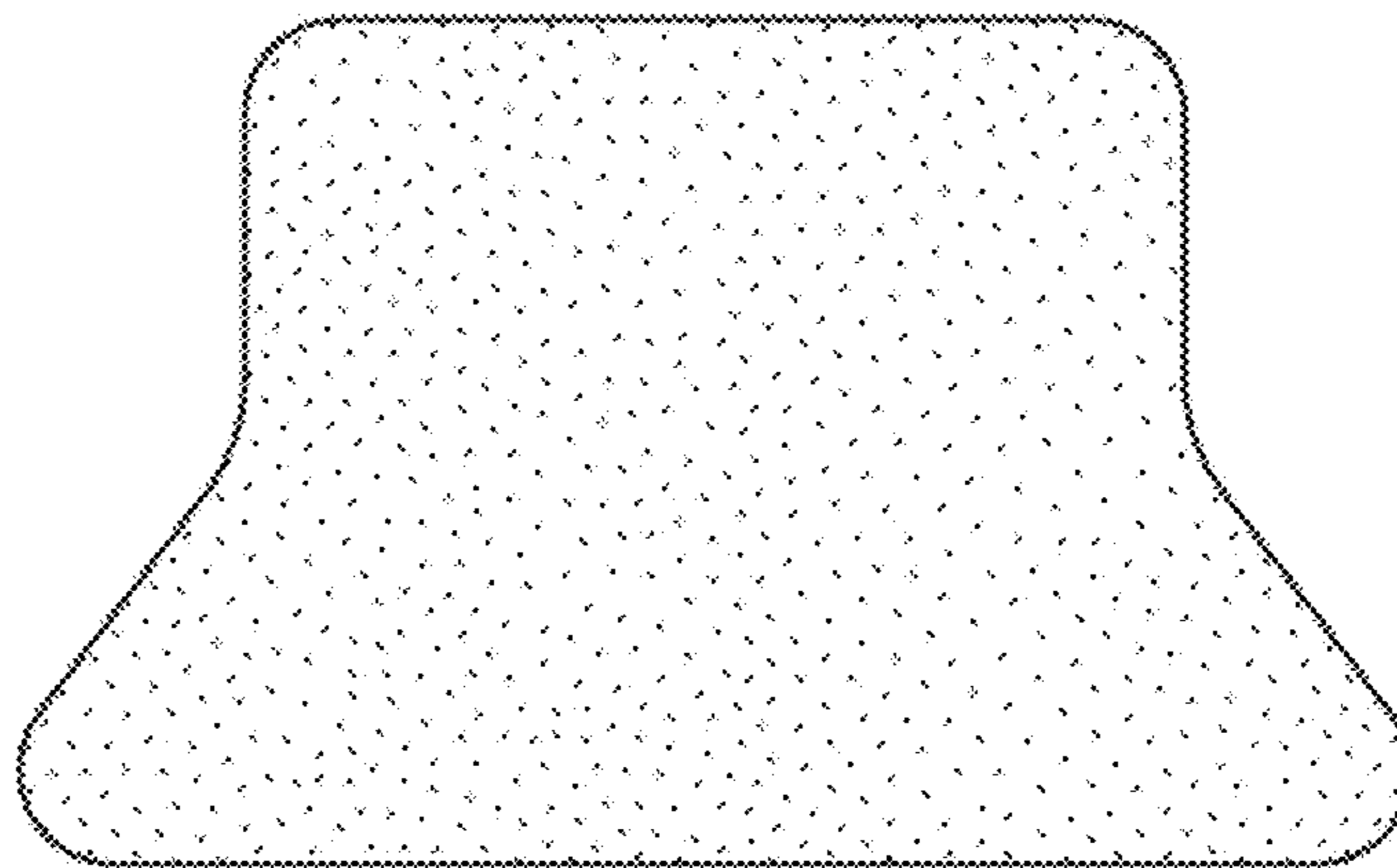


FIG. 4

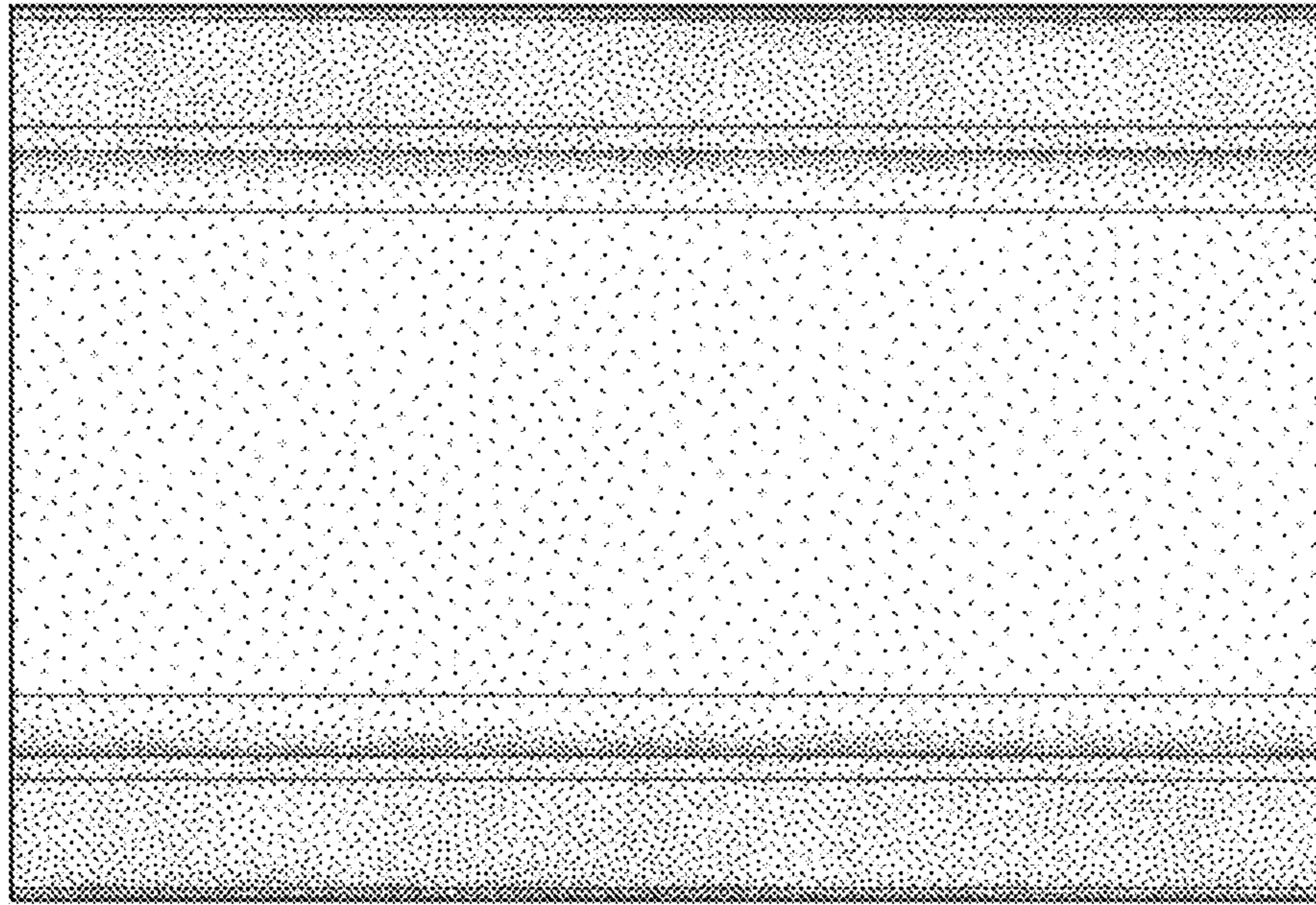


FIG. 5

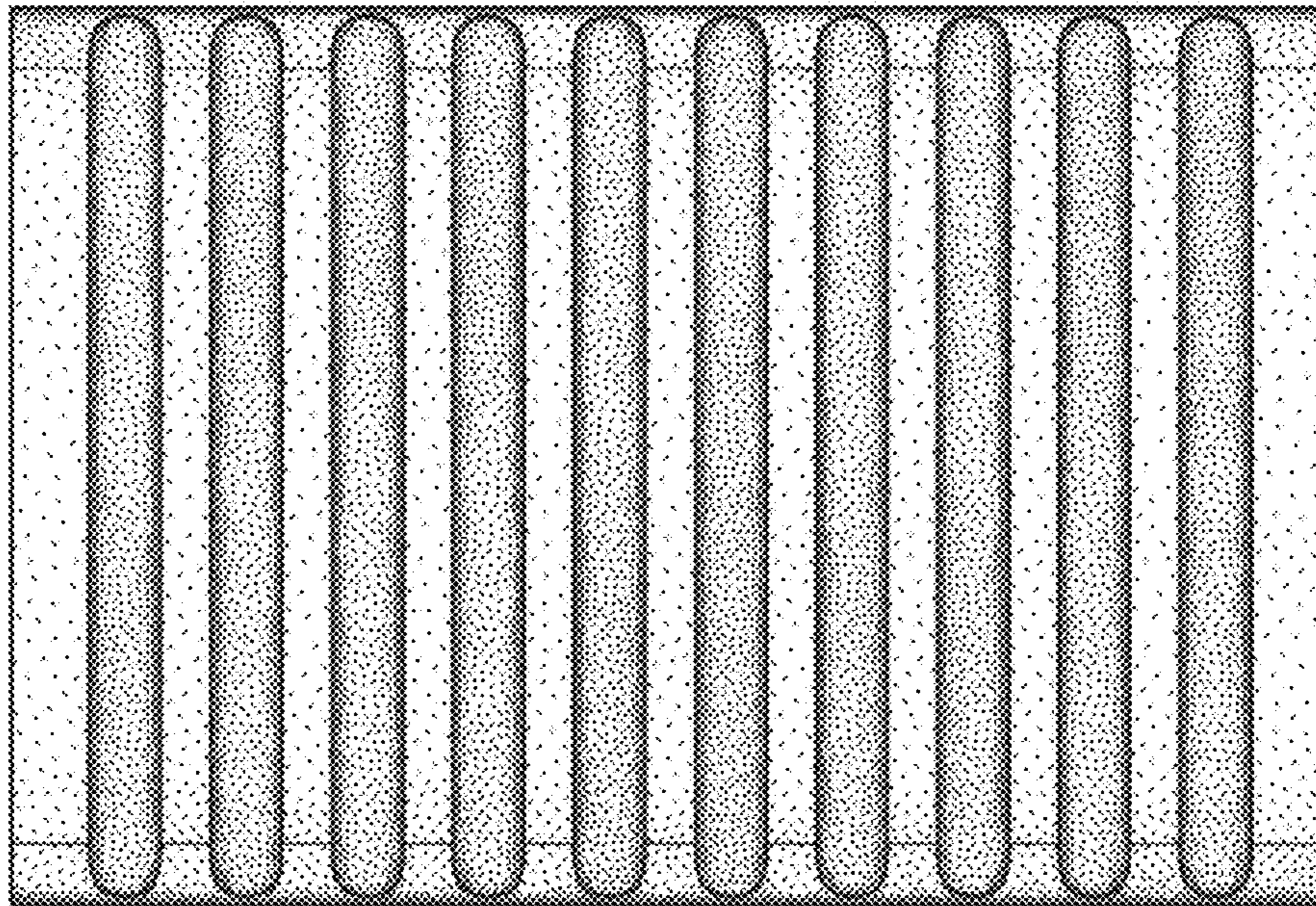


FIG. 6