



US00D818640S

(12) **United States Design Patent** (10) **Patent No.:** **US D818,640 S**
Kakoun (45) **Date of Patent:** **** May 22, 2018**

(54) **TOBACCO BOX**

(71) Applicant: **Haim Michael Kakoun**, Kfar Neter (IL)

(72) Inventor: **Haim Michael Kakoun**, Kfar Neter (IL)

(73) Assignee: **Haim Michael Kakoun**, Kfar Neter (IL)

(**) Term: **15 Years**

(21) Appl. No.: **29/589,878**

(22) Filed: **Jan. 5, 2017**

(51) **LOC (11) Cl.** **27-06**

(52) **U.S. Cl.**
USPC **D27/189**

(58) **Field of Classification Search**
USPC D27/100, 101, 162-170, 172-195
CPC A24F 15/00; A24F 17/00; A24F 23/00
See application file for complete search history.

(56) **References Cited**

U.S. PATENT DOCUMENTS

2,019,235	A	*	10/1935	Parkin	A24F 15/18	206/1.5
D138,373	S	*	7/1944	Crane	206/256	
D142,450	S	*	9/1945	Toklab	D27/189	
D144,278	S	*	3/1946	Wohl	206/256	
D379,010	S	*	4/1997	DiGianni	D27/189	
D379,552	S	*	5/1997	Vokebe	D27/189	
D379,553	S	*	5/1997	DiGianni	D27/189	
D380,063	S	*	6/1997	DiGianni	D27/189	
D401,012	S	*	11/1998	Montoya	D27/187	
6,027,187	A	*	2/2000	Siepmann	A24F 25/02	206/213.1
D595,454	S	*	6/2009	Fuente	D27/189	
D596,350	S	*	7/2009	Fuente	D27/189	
D596,788	S	*	7/2009	Fuente	D27/189	
D600,855	S	*	9/2009	Krohn	D27/189	
D612,094	S	*	3/2010	Bellamah	D27/189	

D612,095	S	*	3/2010	Brown	D27/189
D626,688	S	*	11/2010	Gibson	D27/183
D692,615	S	*	10/2013	Verleur	D27/186
D693,054	S	*	11/2013	Verleur	D27/189
D693,055	S	*	11/2013	Manca	D27/189
D703,374	S	*	4/2014	Brannon	D27/189

(Continued)

OTHER PUBLICATIONS

TBox by TBox. dated 2015. found online [Dec. 7, 2017] <http://www.tobacco-box.com/>.*

Primary Examiner — Robert M. Spear

Assistant Examiner — Marissa J Cash

(74) *Attorney, Agent, or Firm* — Polsinelli PC

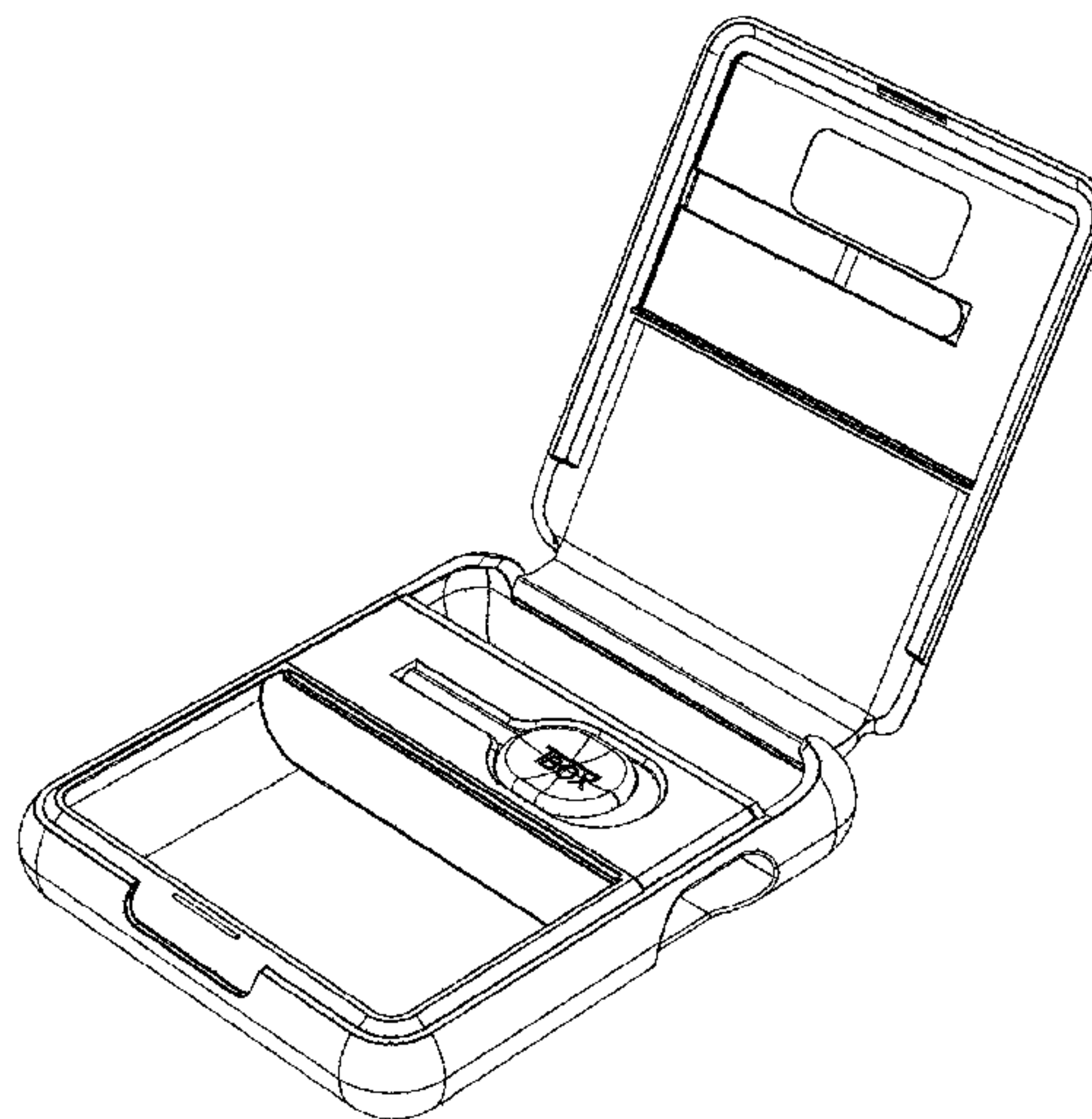
(57) **CLAIM**

I claim the ornamental design for a tobacco box, as shown and described.

DESCRIPTION

FIG. 1 is a closed front elevational view a tobacco box, showing my new design;
 FIG. 2 is a top plan view thereof;
 FIG. 3 is a bottom plan view thereof;
 FIG. 4 is a rear elevational view thereof;
 FIG. 5 is a left side elevational view thereof and the right side elevational view is a mirror image of the left side elevational view;
 FIG. 6 is a perspective view thereof;
 FIG. 7 is an open front elevational view of the tobacco box of FIG. 1;
 FIG. 8 is a top plan view of FIG. 7;
 FIG. 9 is a bottom plan view of FIG. 7;
 FIG. 10 is a rear elevational view of FIG. 7;
 FIG. 11 is a left side elevational view of FIG. 7 and the right side elevational view is a mirror image of the left side elevational view; and,
 FIG. 12 is a perspective view of FIG. 7.

1 Claim, 12 Drawing Sheets



(56)

References Cited

U.S. PATENT DOCUMENTS

D712,090 S *	8/2014	Liu	D27/189	D768,331 S *	10/2016	Chen	D27/101
D723,737 S *	3/2015	Liu	D27/189	D768,918 S *	10/2016	Ward	D27/167
D729,444 S *	5/2015	Leidel	D27/163	D770,678 S *	11/2016	Shin	D27/163
D729,445 S *	5/2015	Leidel	D27/163	D770,680 S *	11/2016	Bennett	D27/189
D730,572 S *	5/2015	Leidel	D27/163	D776,340 S *	1/2017	Seibel	D27/189
D731,114 S *	6/2015	Leidel	D27/163	D779,726 S *	2/2017	Bennett	D27/189
D733,356 S *	6/2015	Leidel	D27/163	D780,373 S *	2/2017	Bennett	D27/186
D736,457 S *	8/2015	Liu	D27/189	D789,599 S *	6/2017	Kesselman	D27/189
D736,458 S *	8/2015	Liu	D27/189	D790,129 S *	6/2017	Bennett	D27/189
D736,996 S *	8/2015	Liu	D27/189	D798,500 S *	9/2017	Joyce, III	D27/189
D736,997 S *	8/2015	Liu	D27/189	2009/0014019 A1 *	1/2009	Park	A24F 25/00 131/328
D748,325 S *	1/2016	Leidel	D27/163	2012/0103842 A1 *	5/2012	Koester	A24F 17/00 206/273
D751,756 S *	3/2016	Hearn	D27/189	2012/0255546 A1 *	10/2012	Goetz	A61M 11/041 128/202.21
D752,808 S *	3/2016	Hearn	D27/189	2015/0230520 A1 *	8/2015	Barrett	A24F 17/00 206/229
D754,920 S *	4/2016	Domon	D27/189					
D760,431 S *	6/2016	Liu	D27/189					

* cited by examiner

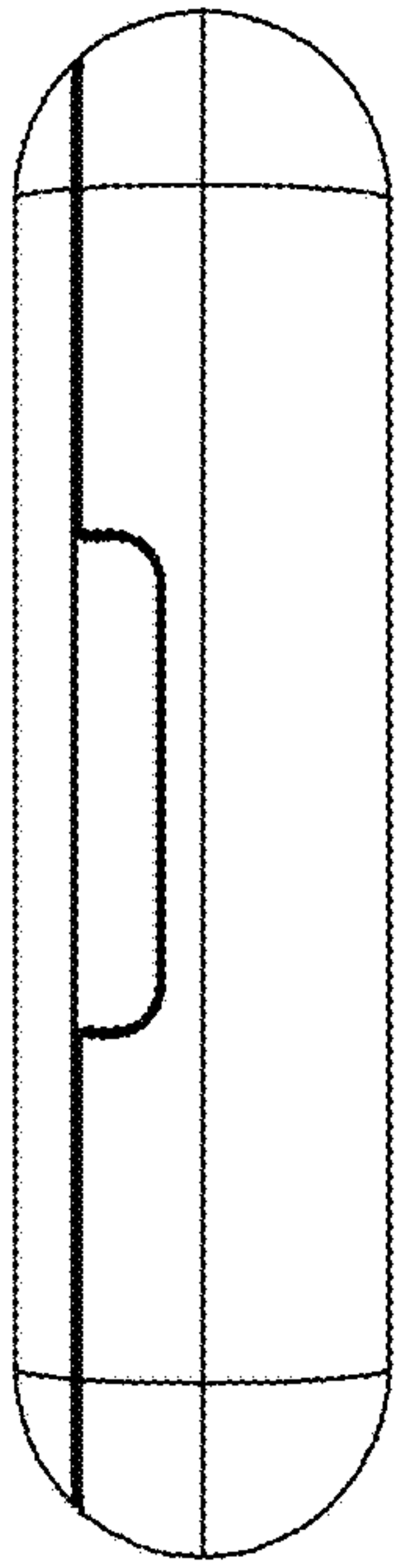


fig. 1

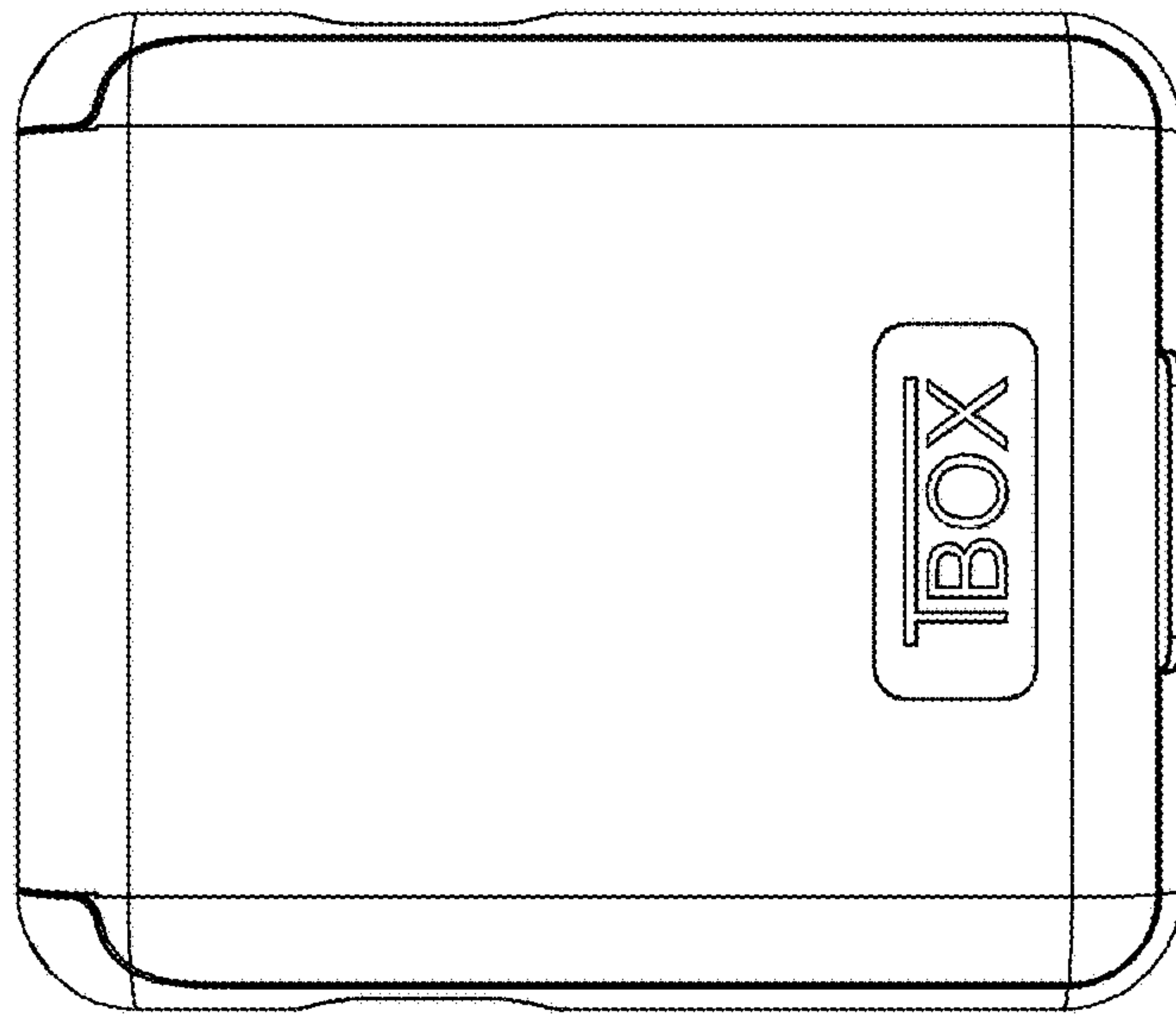


fig. 2

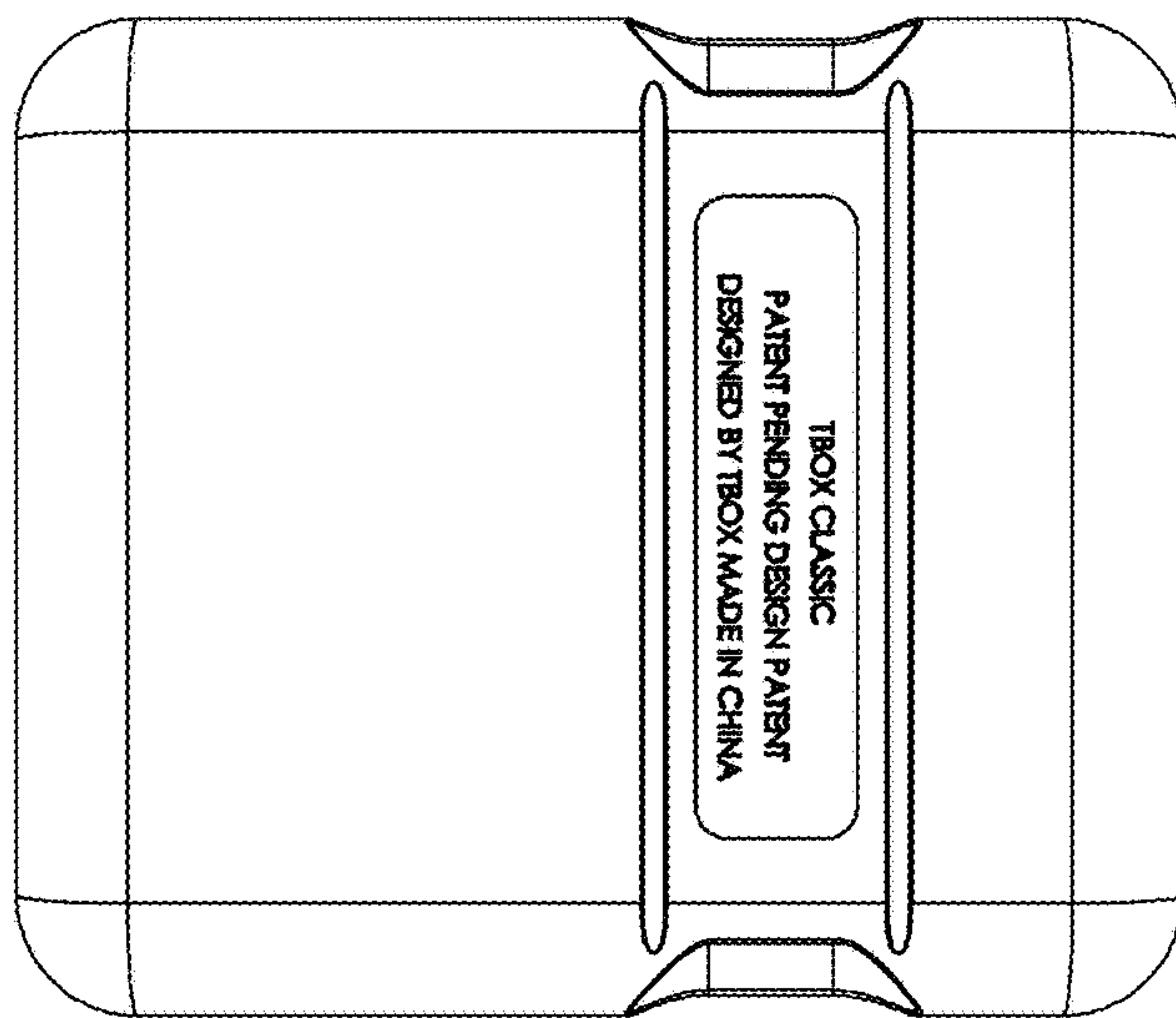


fig. 3

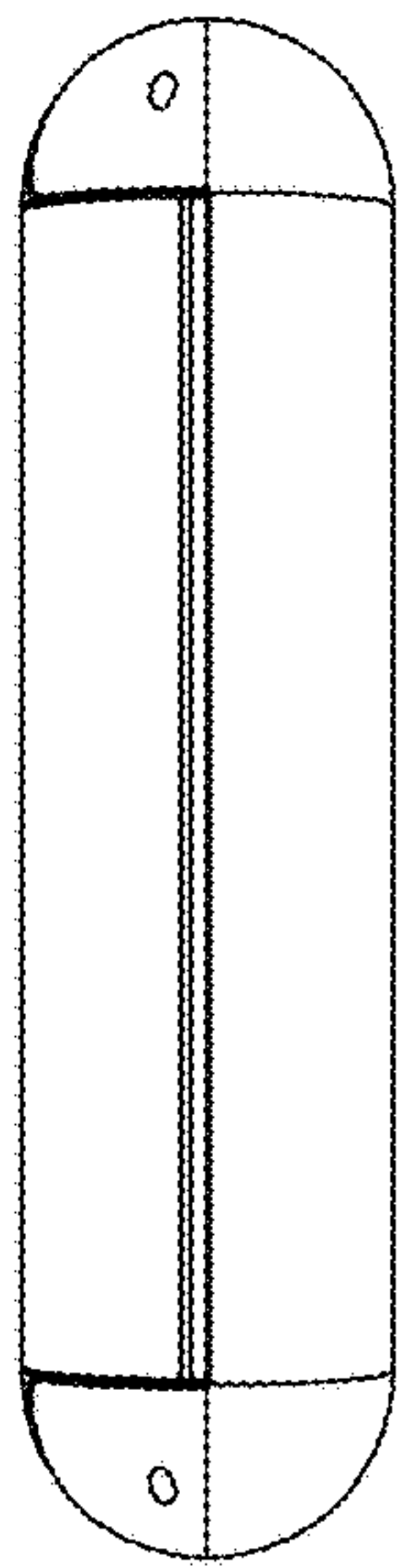


fig. 4

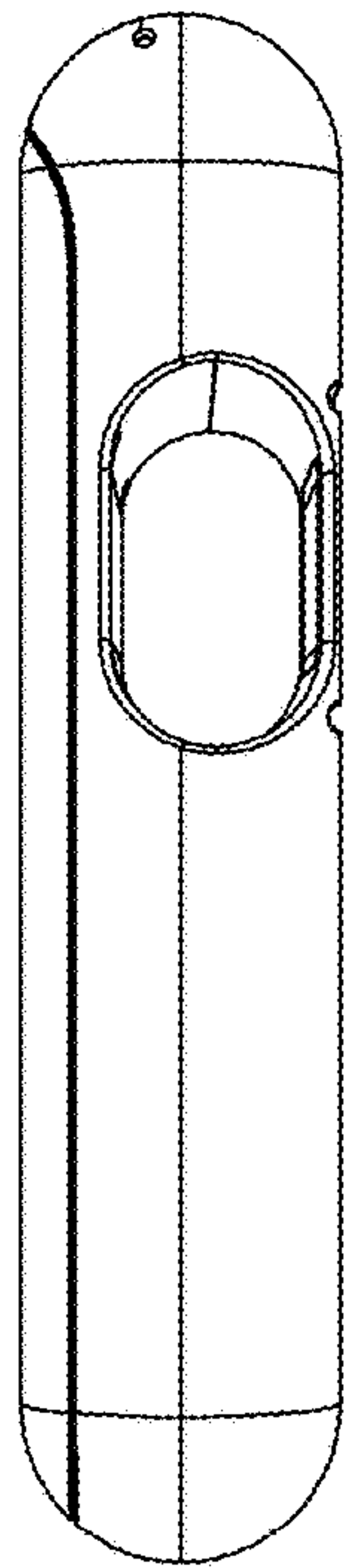


fig. 5

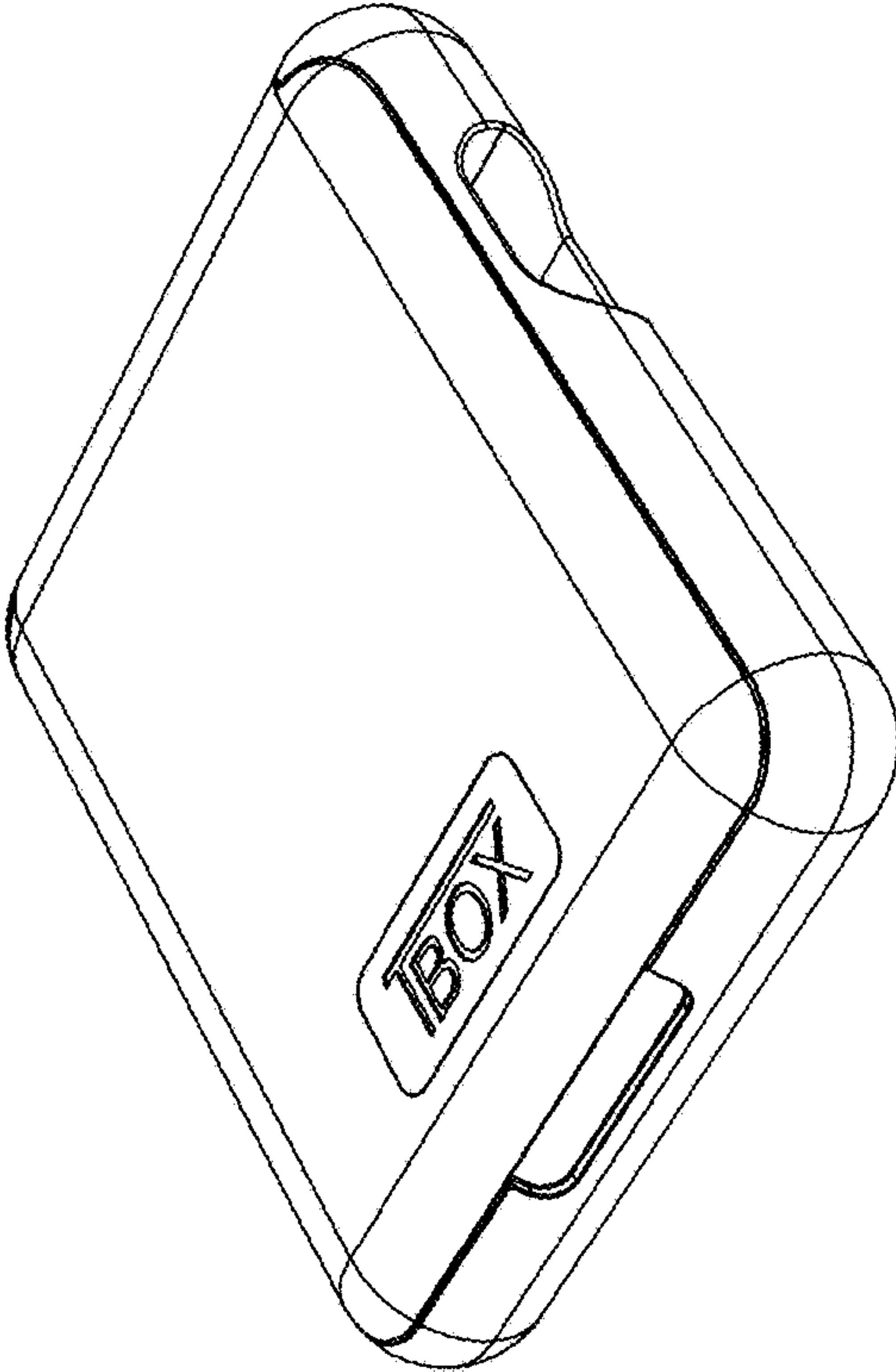


fig. 6

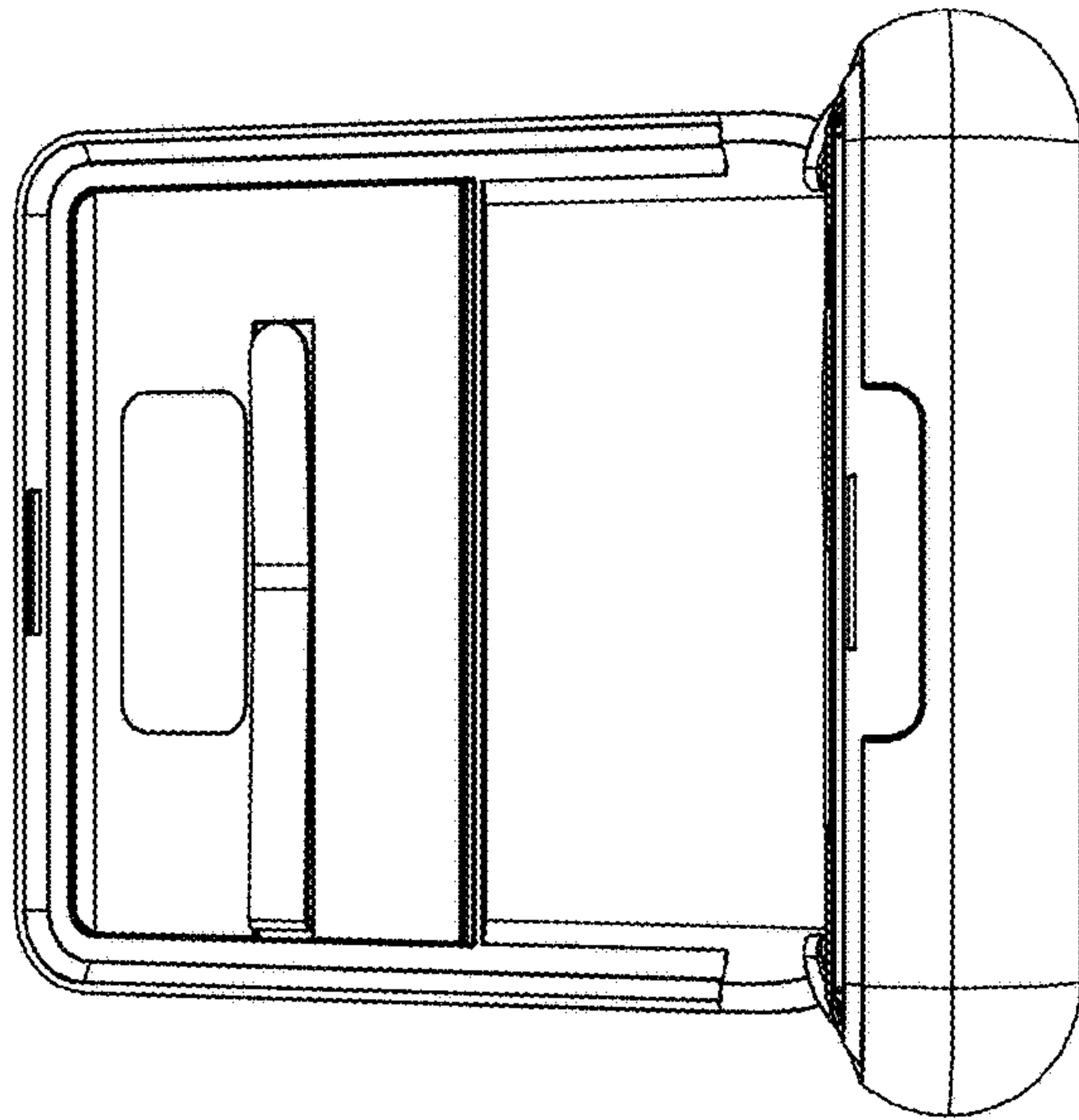


fig. 7

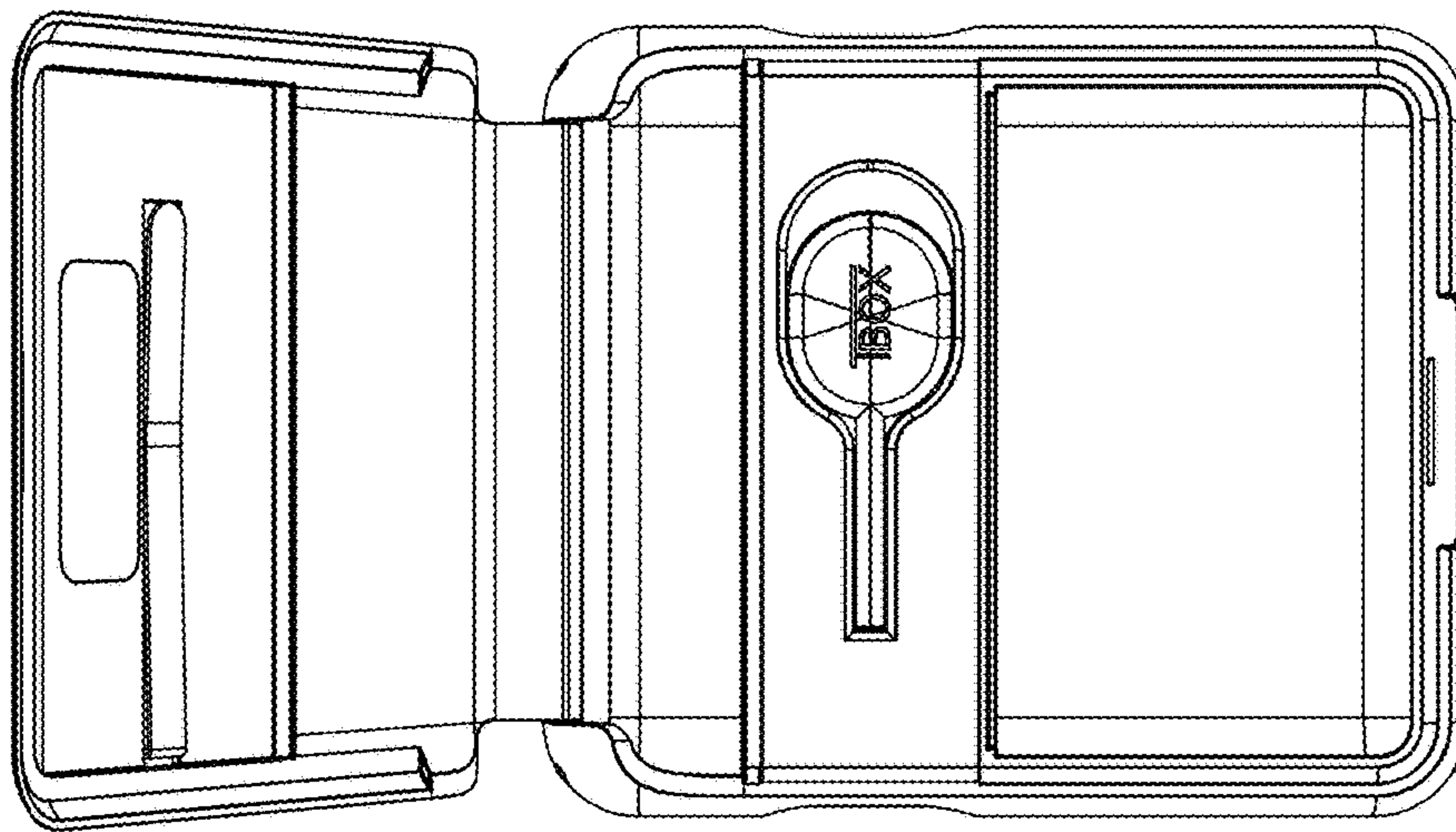


fig. 8

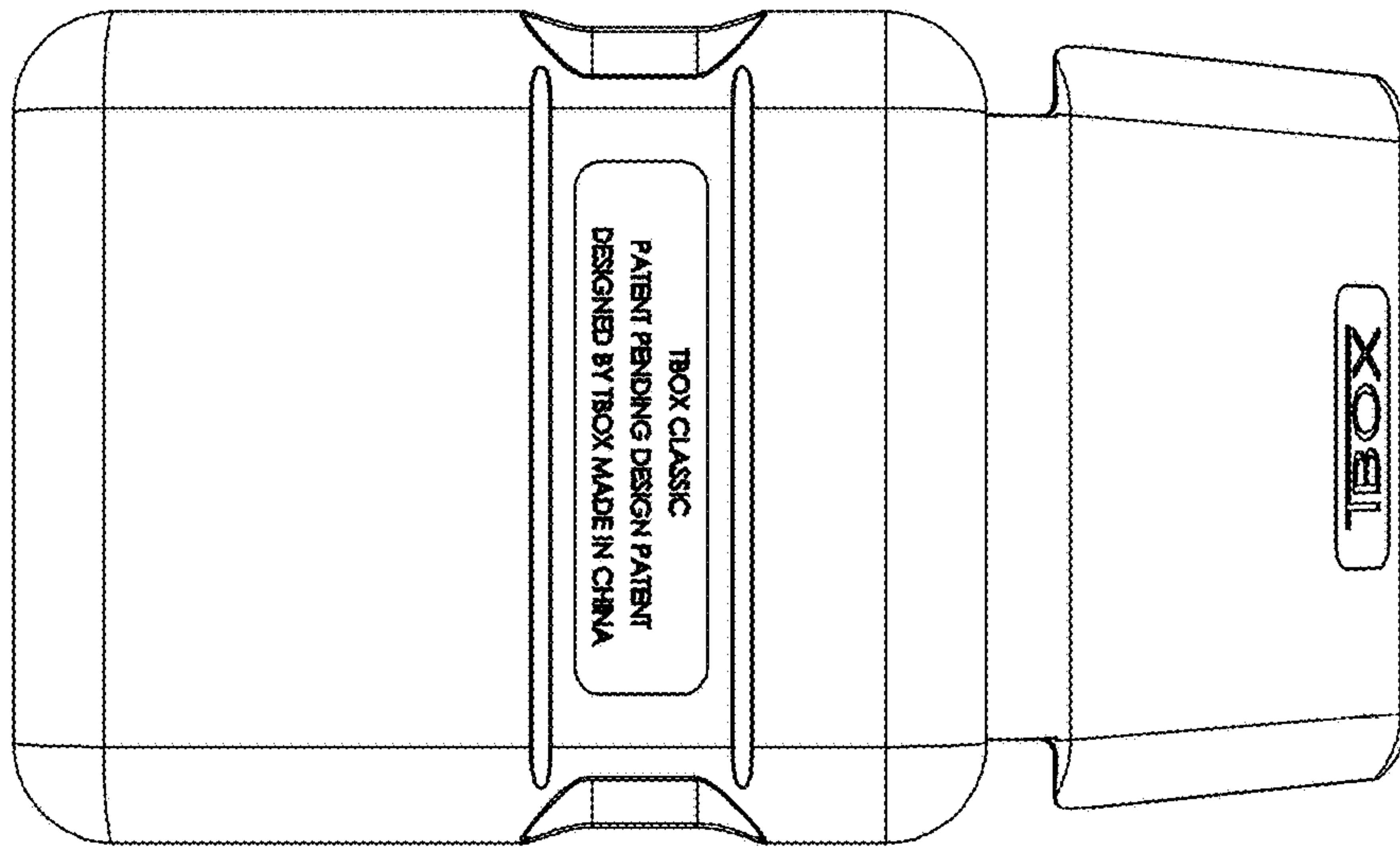


fig. 9

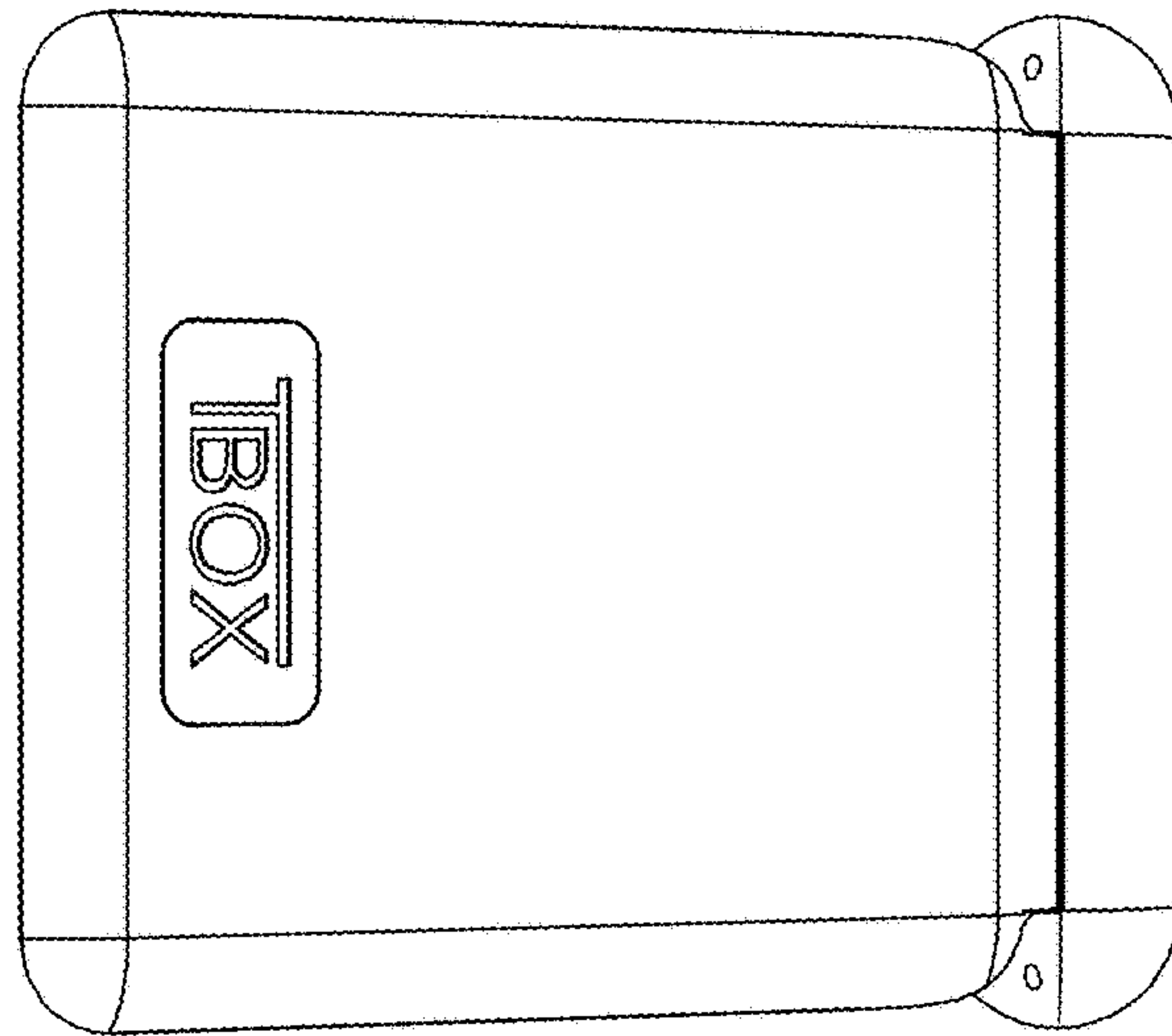


fig. 10

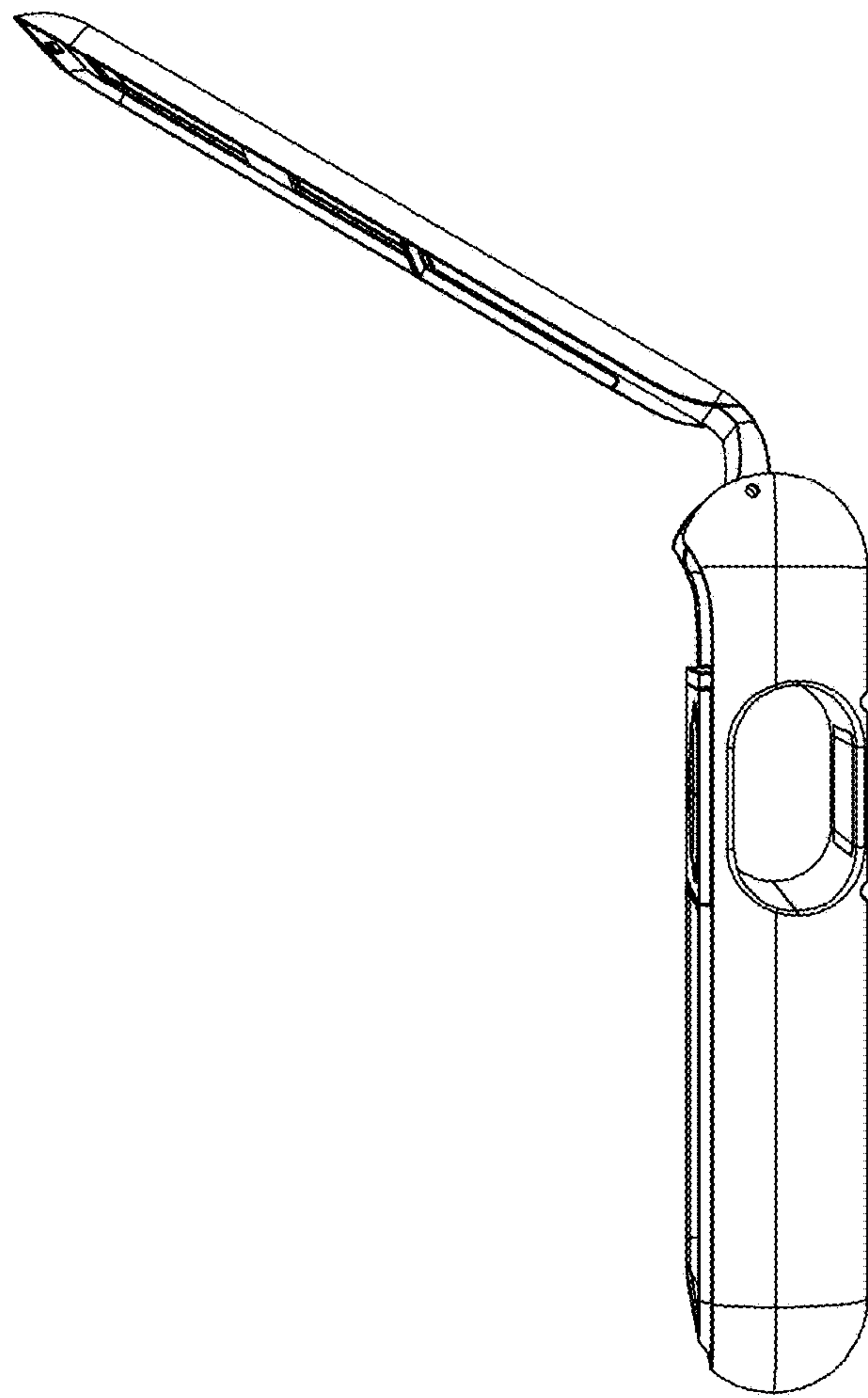


fig. 11

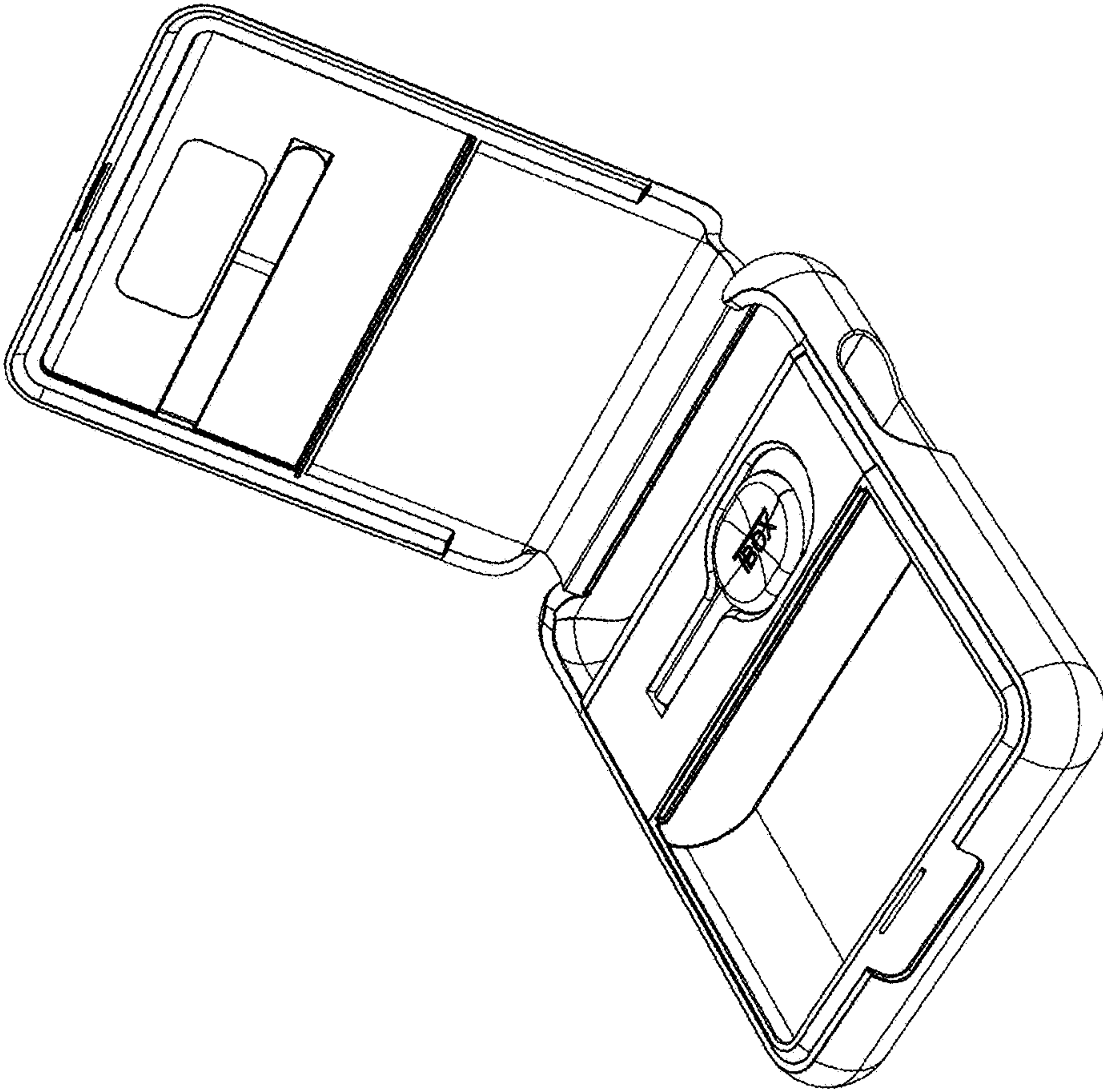


fig. 12