



US00D818637S

(12) **United States Design Patent** (10) **Patent No.:** **US D818,637 S**
Ringel (45) **Date of Patent:** **** May 22, 2018**

(54) **ELECTRONIC ARC LIGHTER**
 (71) Applicant: **Shir Ringel**, Irvine, CA (US)
 (72) Inventor: **Shir Ringel**, Irvine, CA (US)
 (**) Term: **15 Years**
 (21) Appl. No.: **29/591,866**

D468,055 S 12/2002 Cohen Harel
 RE38,260 E 10/2003 Wong
 D488,585 S 4/2004 Lin
 D489,479 S 5/2004 Chuang
 D498,020 S 11/2004 Wong
 D498,328 S 11/2004 Cohen Harel
 D498,330 S 11/2004 Koike
 D502,285 S * 2/2005 Tufts, Jr. D27/141
 D506,026 S 6/2005 Chen
 (Continued)

(22) Filed: **Jan. 24, 2017**
 (51) **LOC (11) Cl.** **27-05**
 (52) **U.S. Cl.**
 USPC **D27/141**
 (58) **Field of Classification Search**
 USPC D27/139, 141, 144, 153, 154, 155, 156,
 D27/157, 159, 160, 161, 189
 CPC F23Q 1/06; F23Q 7/14; F23Q 2/16
 See application file for complete search history.

Primary Examiner — Brandon M Rosati
Assistant Examiner — Marissa J Cash
 (74) *Attorney, Agent, or Firm* — QuickPatents, LLC;
 Kevin Prince

(57) **CLAIM**

I claim the ornamental design for an electronic arc lighter, as shown and described.

DESCRIPTION

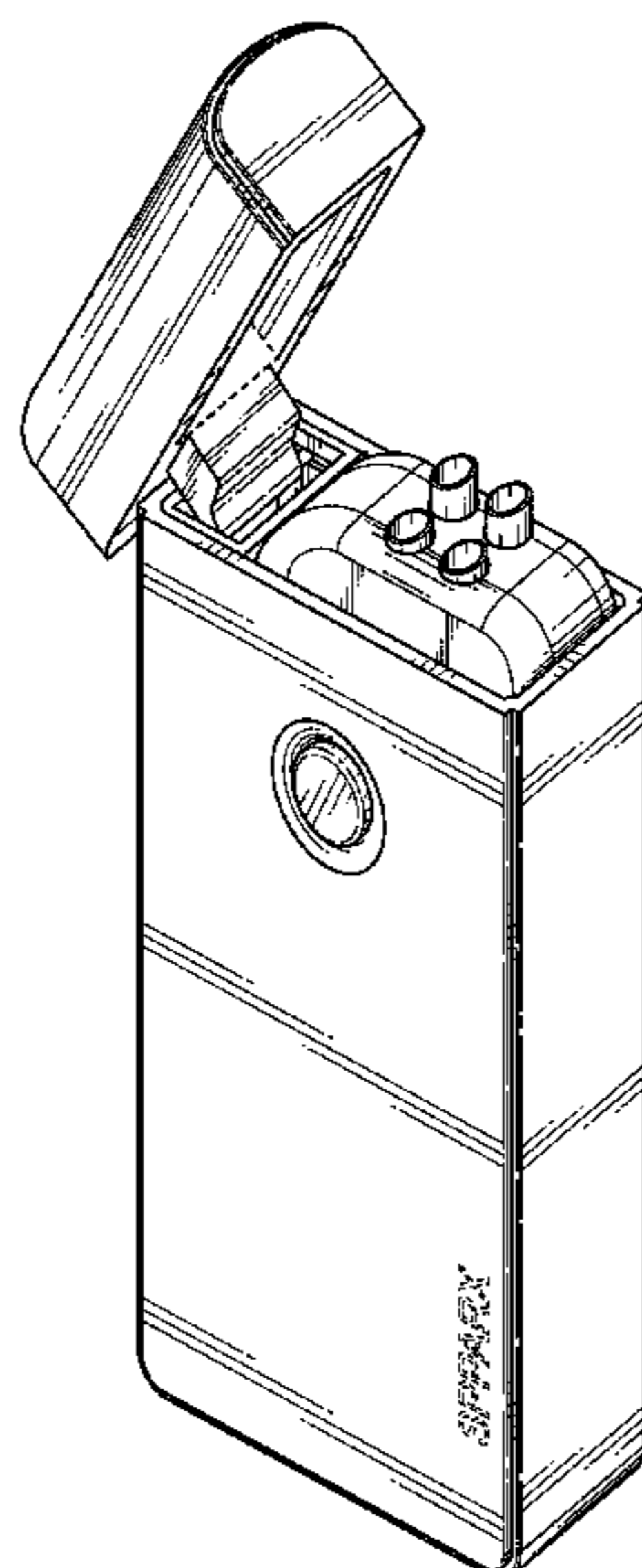
FIG. 1 is a top perspective view of an arc lighter, showing my new design with a top in a closed position; FIG. 2 is a bottom perspective view of FIG. 1; FIG. 3 is a front elevational view of FIG. 1; FIG. 4 is a rear elevational view of FIG. 1; FIG. 5 is a right-side elevational view of FIG. 1; FIG. 6 is a left-side elevational view of FIG. 1; FIG. 7 is a top plan view of FIG. 1; FIG. 8 is a bottom plan view thereof, illustrated with the top in an open position; FIG. 9 is a front perspective view of FIG. 8; FIG. 10 is a front elevational view of FIG. 8; FIG. 11 is a rear elevational view of FIG. 8; FIG. 12 is a right-side elevational view of FIG. 8; and, FIG. 13 is a top plan view of FIG. 8. The broken lines showing a logo in FIGS. 1, 3, 9 and 10 and the broken lines in FIG. 4 depict portions of the lighter that form no part of the claimed design.

(56) **References Cited**

U.S. PATENT DOCUMENTS

2,689,902 A *	9/1954	Burtman	F23Q 7/16 219/266
D180,401 S	6/1957	Harper	
D203,866 S	2/1966	Heuckeroth	
D205,680 S	9/1966	Haggstrom	
D216,273 S	12/1969	Sclamp	
D227,924 S	7/1973	Goto	
D239,777 S *	5/1976	Goto	D27/157
D243,775 S	3/1977	Ohsawa	
D244,784 S *	6/1977	O'Brien	D27/159
D246,471 S	11/1977	Stutzer	
D261,062 S	9/1981	Ichikawa	
D284,796 S	7/1986	Yoshinaga	
D314,837 S	2/1991	Nitta	
D339,209 S *	9/1993	Ichikawa	D27/157
D364,245 S	11/1995	Anderson	
D391,013 S	2/1998	Inoue	
D455,520 S	4/2002	Wong	
D463,064 S	9/2002	Hong	
D463,618 S	9/2002	Smith	
D464,464 S	10/2002	Park	

1 Claim, 7 Drawing Sheets



(56)

References Cited

U.S. PATENT DOCUMENTS

D514,741	S	2/2006	Cohen Harel	
D526,440	S	8/2006	Smith	
D536,480	S	2/2007	Park	
D539,473	S	3/2007	Almsberger	
D548,396	S	8/2007	Chen	
D550,897	S *	9/2007	Smith	D27/159
D553,792	S	10/2007	Smith	
D557,455	S *	12/2007	Chen	D27/157
D580,096	S	11/2008	Hara	
D581,094	S	11/2008	Smith	
D593,406	S *	6/2009	Verebelyi	D27/189
D614,805	S *	4/2010	Klaes	D27/161
D624,694	S	9/2010	Zande	
D624,695	S	9/2010	Cohen Harel	
D625,465	S	10/2010	Clavero	
D625,466	S	10/2010	Martin	
D634,889	S	3/2011	Park	
D653,391	S *	1/2012	Chuan	D27/156
D736,455	S *	8/2015	Liu	D27/189
D736,995	S *	8/2015	Recio	D27/141
D742,063	S *	10/2015	Recio	D27/141
D757,354	S *	5/2016	Tong	D27/141
D759,299	S	6/2016	Almsberger	
D760,428	S *	6/2016	Rahbar	D27/141
D770,679	S *	11/2016	Weigensberg	D27/189
D779,115	S *	2/2017	Stoll	D27/153
D785,861	S *	5/2017	Stoll	D27/152
2014/0076879	A1 *	3/2014	Ye	F23Q 7/14 219/262

* cited by examiner

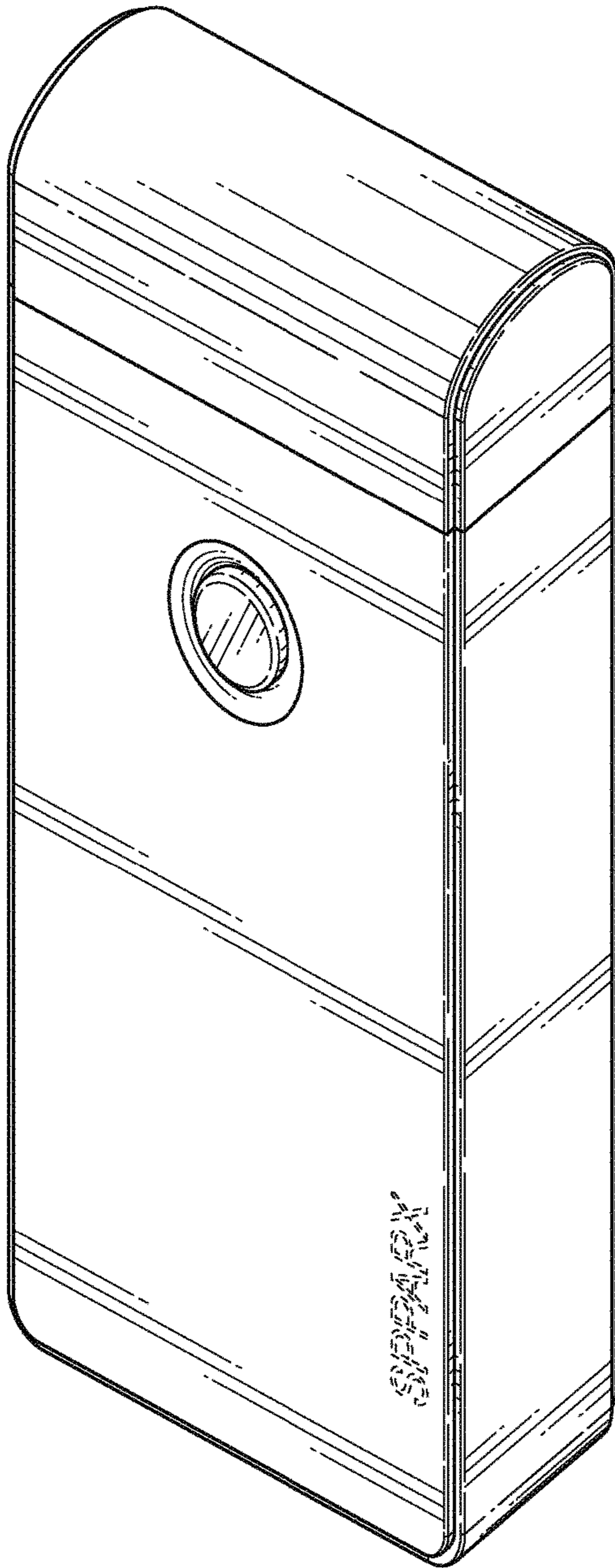


FIG. 1

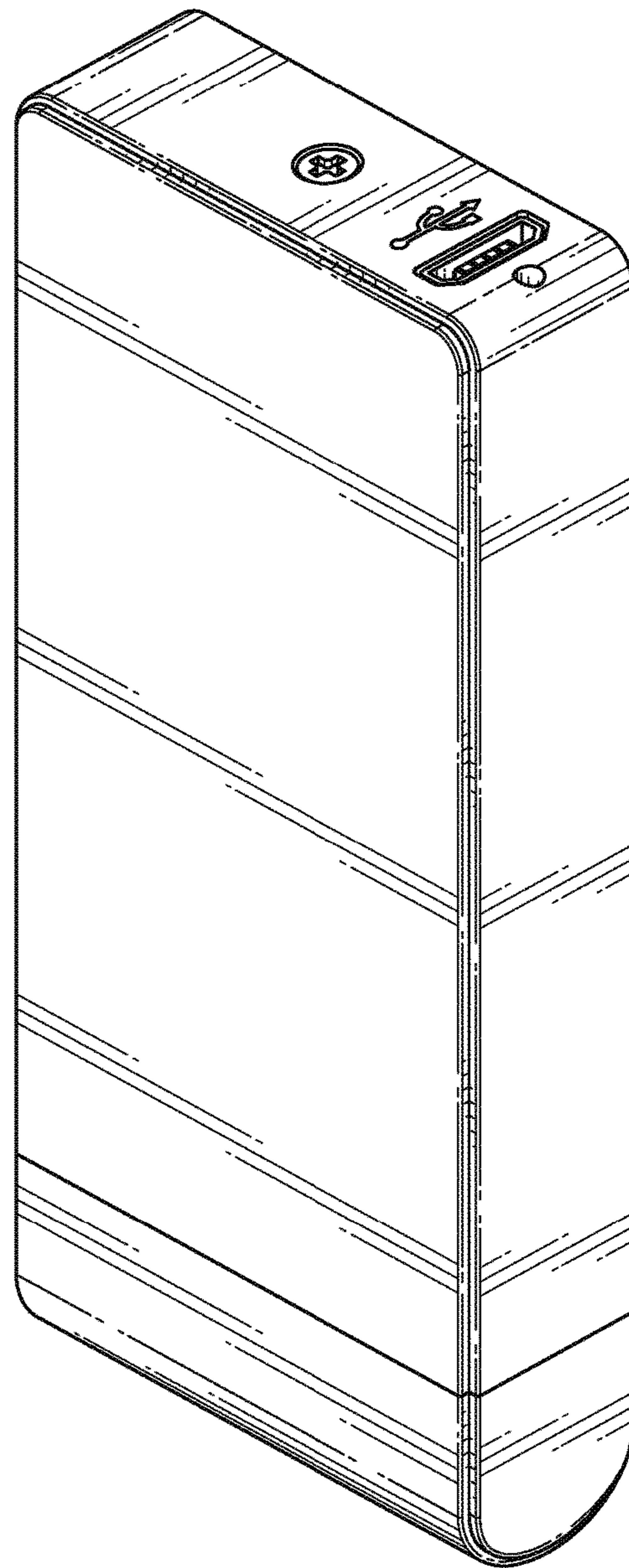


FIG. 2

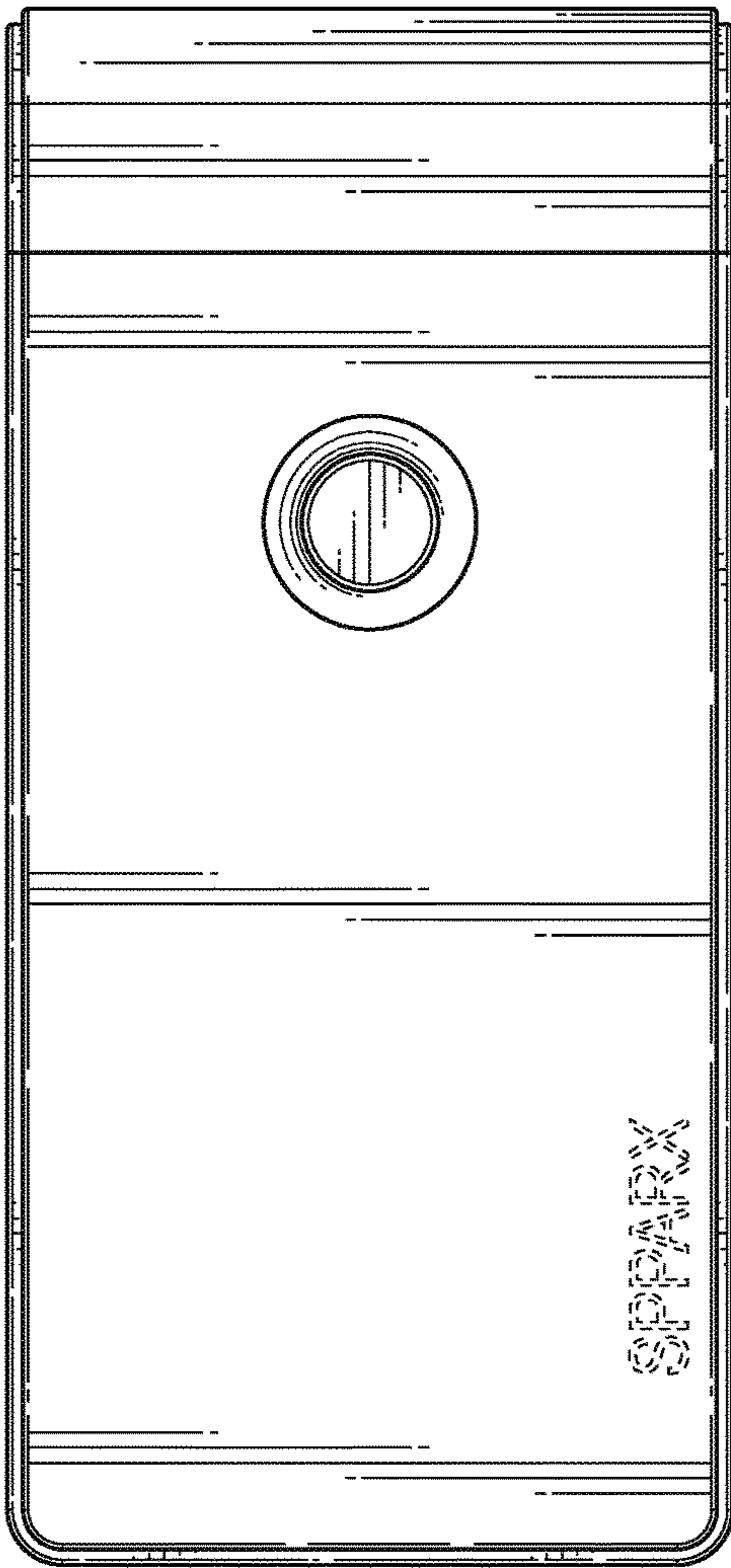


FIG. 3

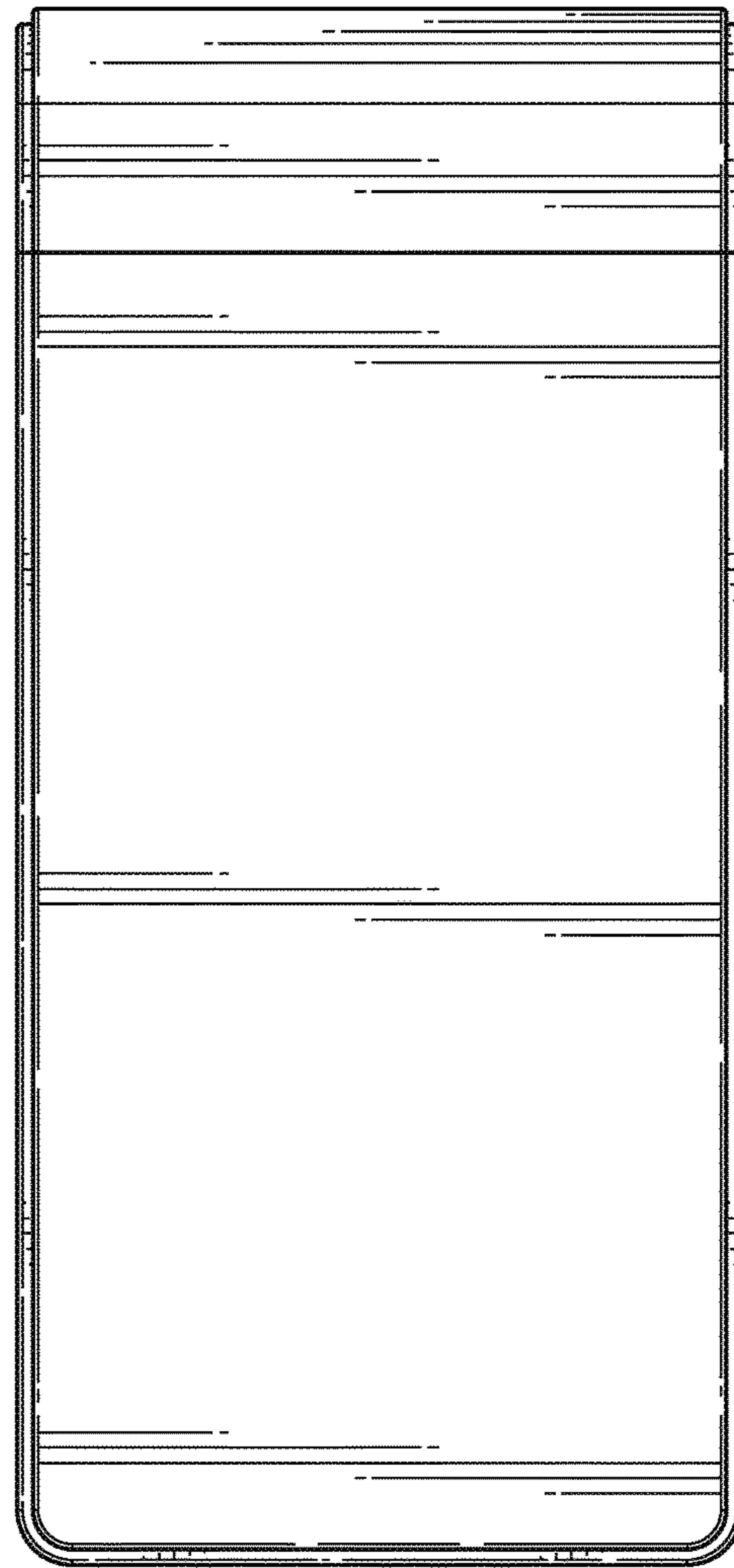


FIG. 4

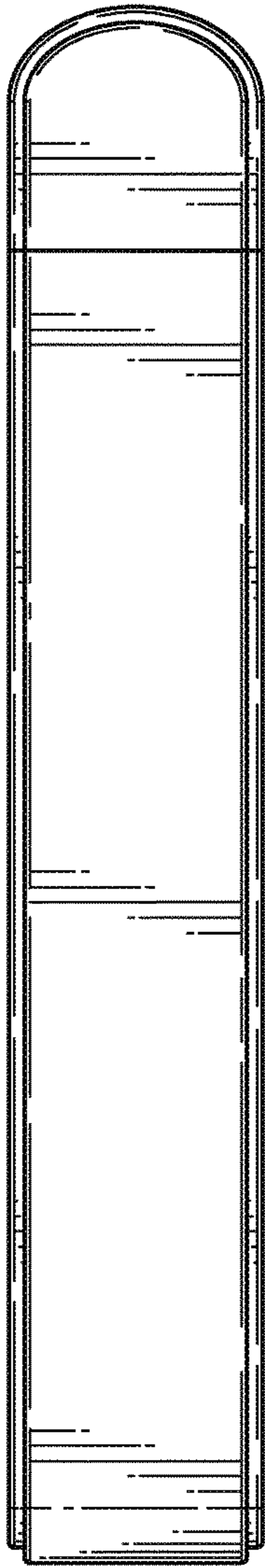


FIG. 5

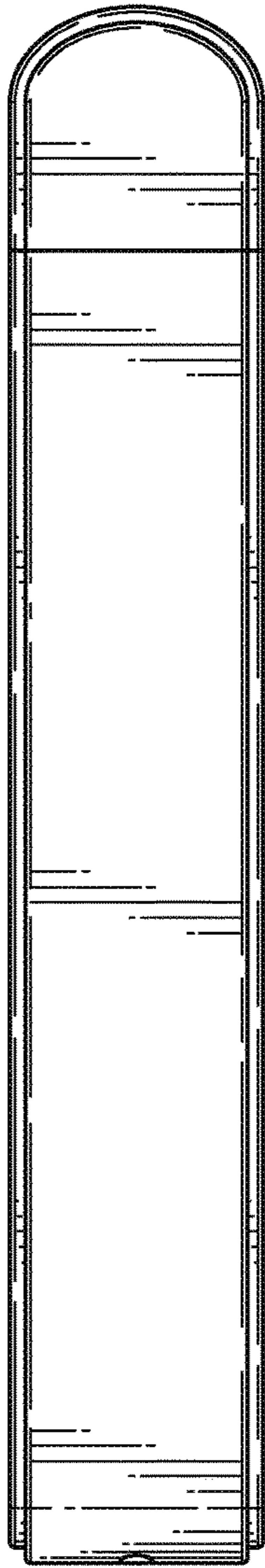


FIG. 6

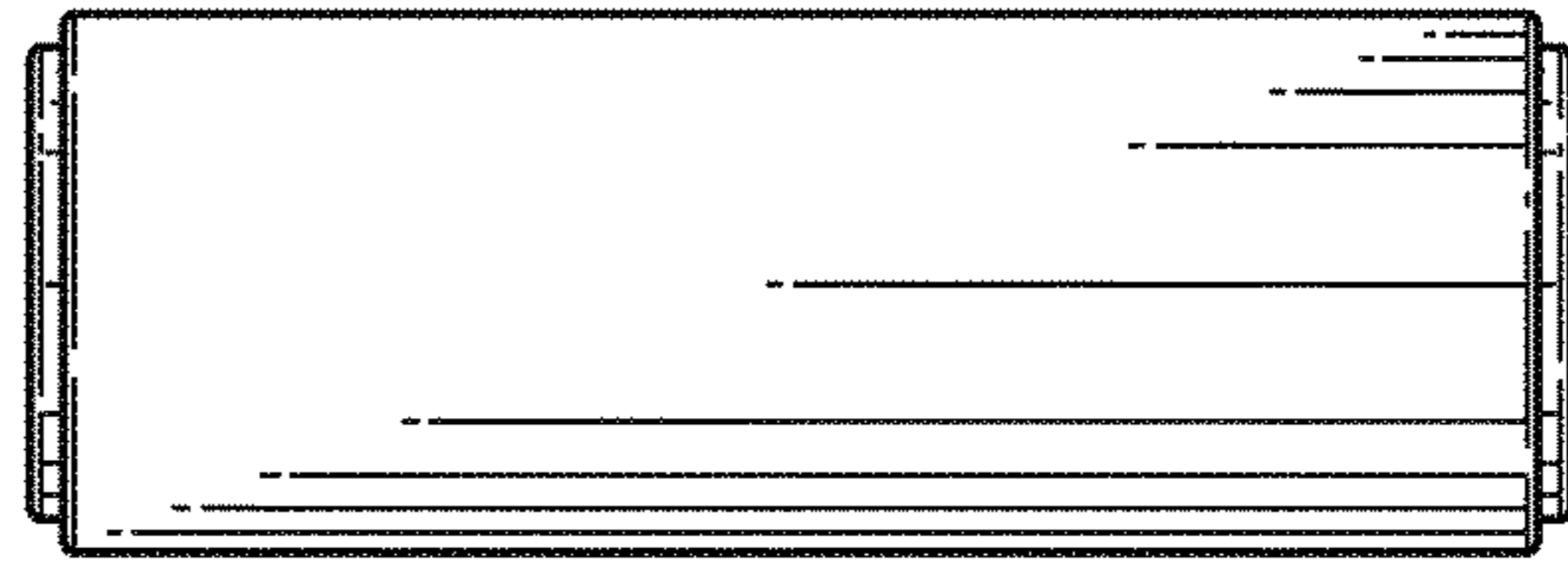


FIG. 7

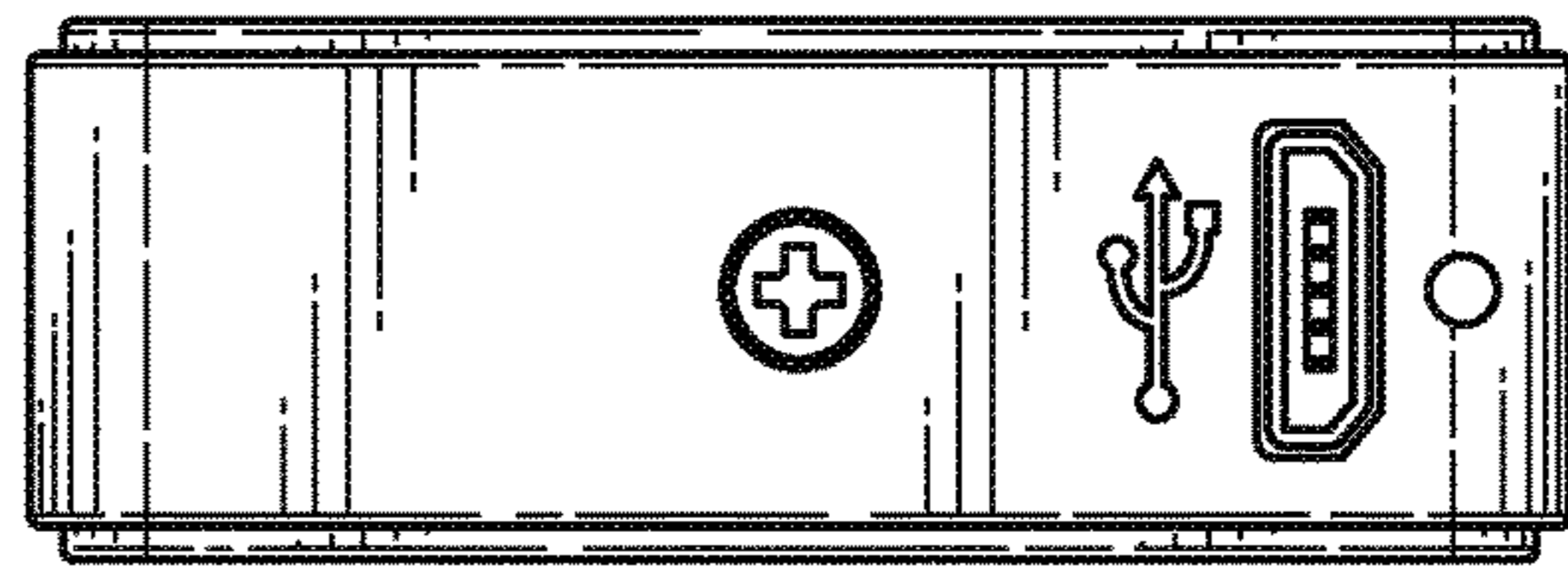


FIG. 8

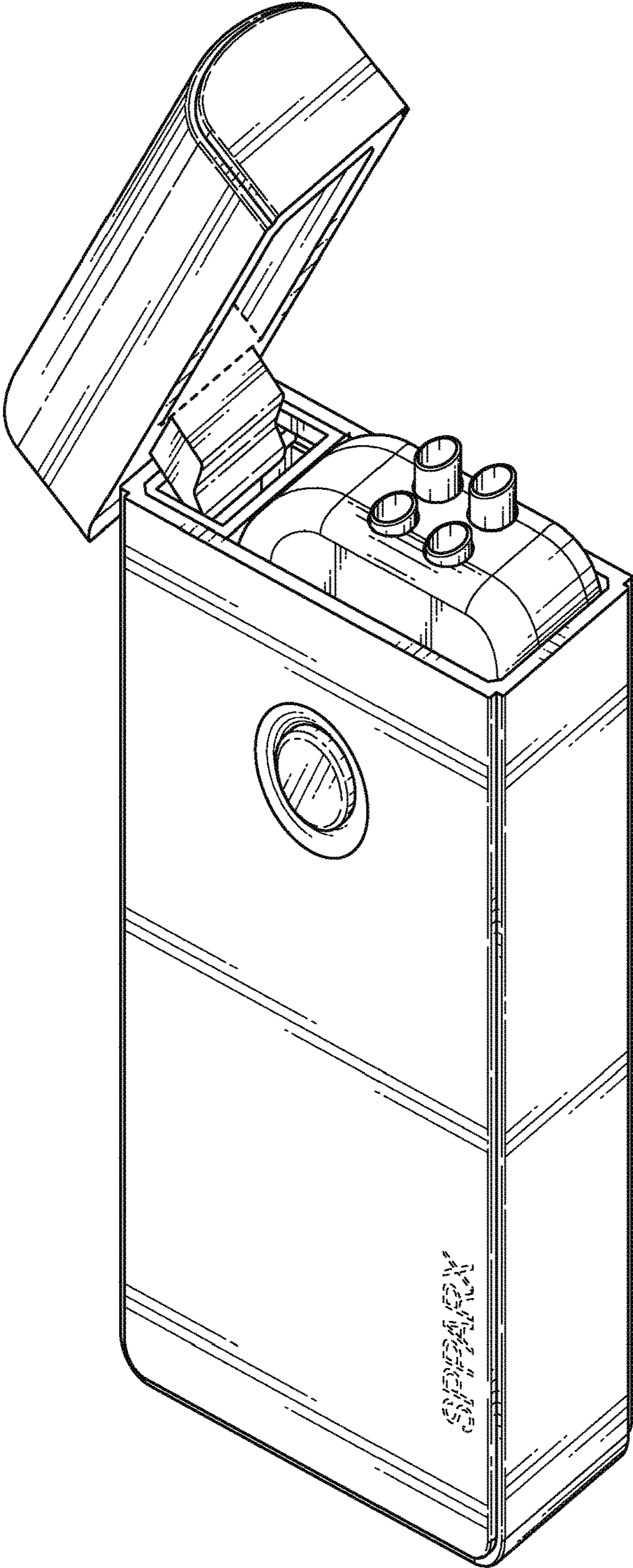


FIG. 9

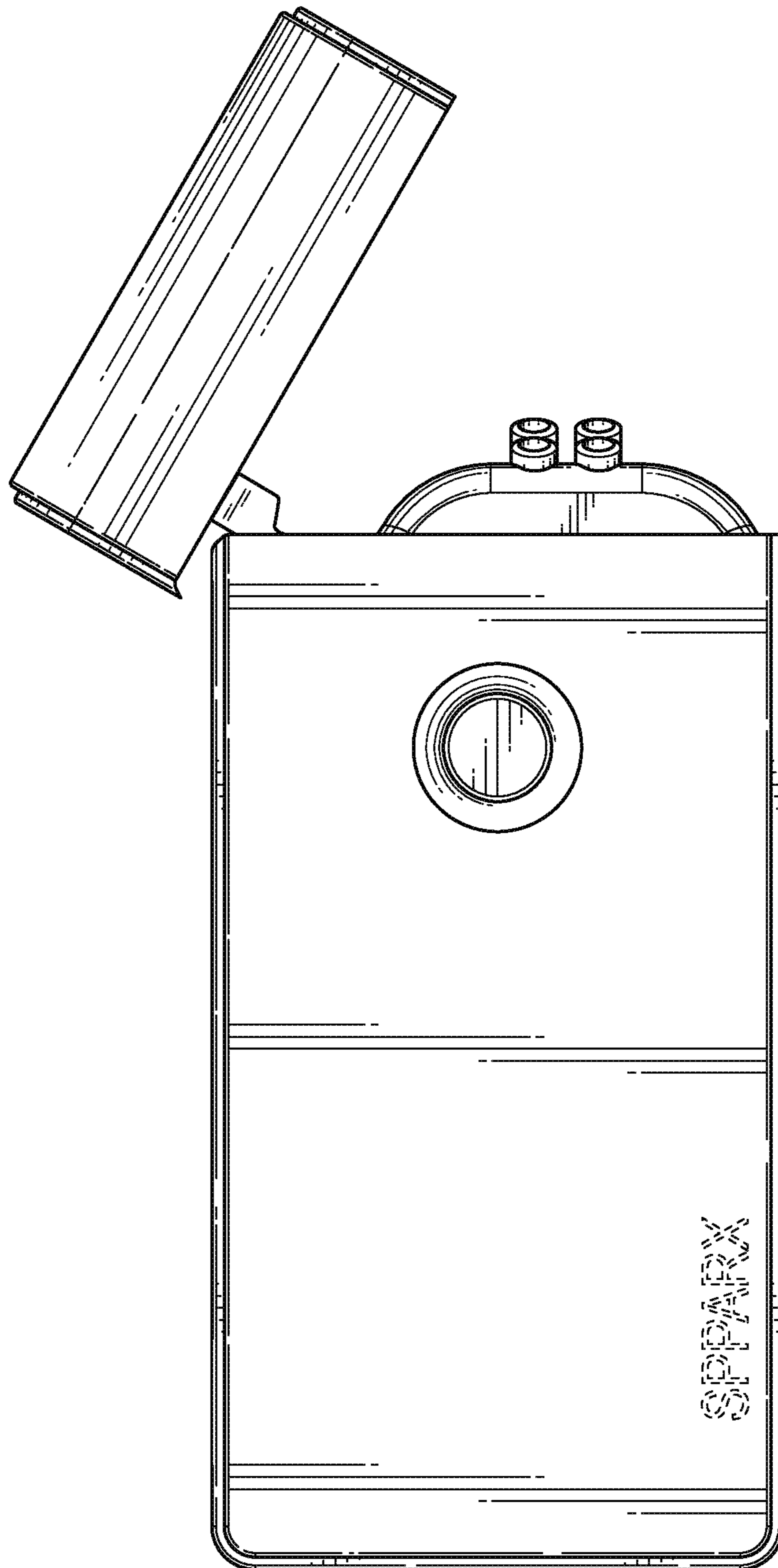


FIG. 10

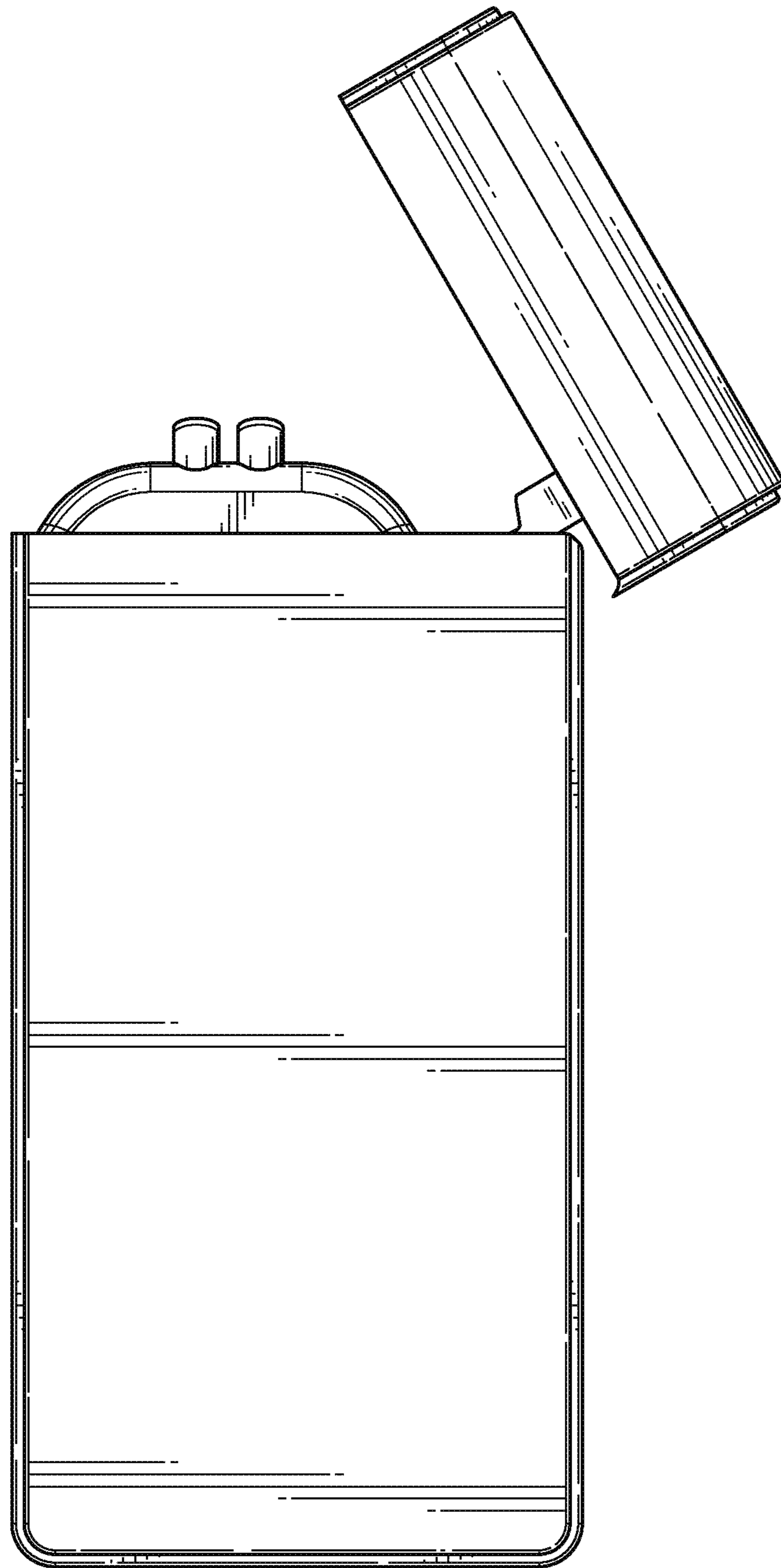


FIG. 11

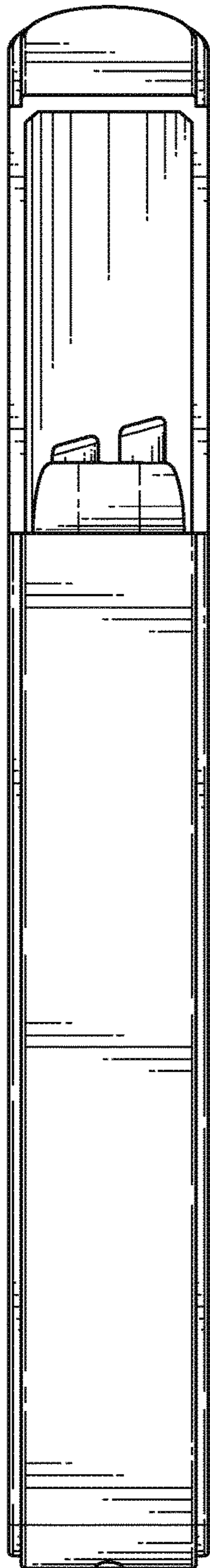


FIG. 12

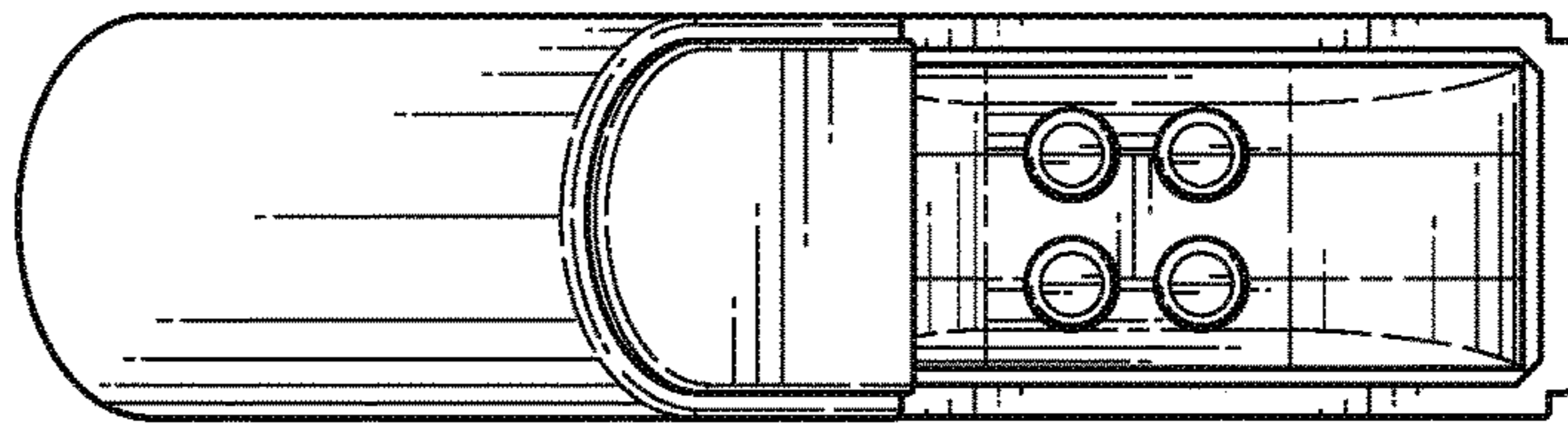


FIG. 13