



US00D818634S

(12) **United States Design Patent**
Sherman

(10) **Patent No.:** **US D818,634 S**

(45) **Date of Patent:** **** May 22, 2018**

(54) **SHELF LIGHT**

(71) Applicant: **Ryan Sherman**, Seattle, WA (US)

(72) Inventor: **Ryan Sherman**, Seattle, WA (US)

(73) Assignee: **LucaLight, LLC**, Seattle, WA (US)

(**) Term: **15 Years**

(21) Appl. No.: **29/598,759**

(22) Filed: **Mar. 28, 2017**

(51) **LOC (11) Cl.** **26-05**

(52) **U.S. Cl.**
USPC **D26/138**

(58) **Field of Classification Search**
USPC D26/1, 24, 26-28, 37-50, 60-66, 72-76,
D26/113, 118, 119, 120, 121, 122, 180;
D2/742; D14/218; D12/110, 114;
D25/119

CPC F21Y 2103/30; F21Y 2107/30; F21V
29/507; F21V 29/004; F21V 29/677;
F21V 29/60; F21V 5/04

See application file for complete search history.

(56) **References Cited**

U.S. PATENT DOCUMENTS

D389,460 S * 1/1998 Wei-Hong D13/155
D590,099 S * 4/2009 Maxik D26/118

D600,401 S *	9/2009	Varrin	D26/138
D623,343 S *	9/2010	Kluš	D26/138
D625,463 S *	10/2010	Klus	D26/138
D627,095 S *	11/2010	Miyairi	D26/120
D662,255 S *	6/2012	Klu	D26/138
D692,685 S *	11/2013	Chou	D6/580
D710,535 S *	8/2014	Edwards	D26/122
D731,110 S *	6/2015	Poppenheimer	D26/120
D793,617 S *	8/2017	Trzcielinski	D26/118
D797,349 S *	9/2017	Rashidi Doust	D26/118
D799,107 S *	10/2017	Sonneman	D26/138
2014/0134856 A1 *	5/2014	Hoffmeister	H01R 25/142 439/119

* cited by examiner

Primary Examiner — John Windmuller

Assistant Examiner — Benjamin M Weeks

(74) *Attorney, Agent, or Firm* — Forrest Law Office, P.C.

(57) **CLAIM**

The ornamental design for a shelf light, as shown.

DESCRIPTION

FIG. 1 is an upper perspective view of a shelf light according to the present invention.

FIG. 2 is a right side view of the shelf light in FIG. 1.

FIG. 3 is a left side view of the shelf light in FIG. 1.

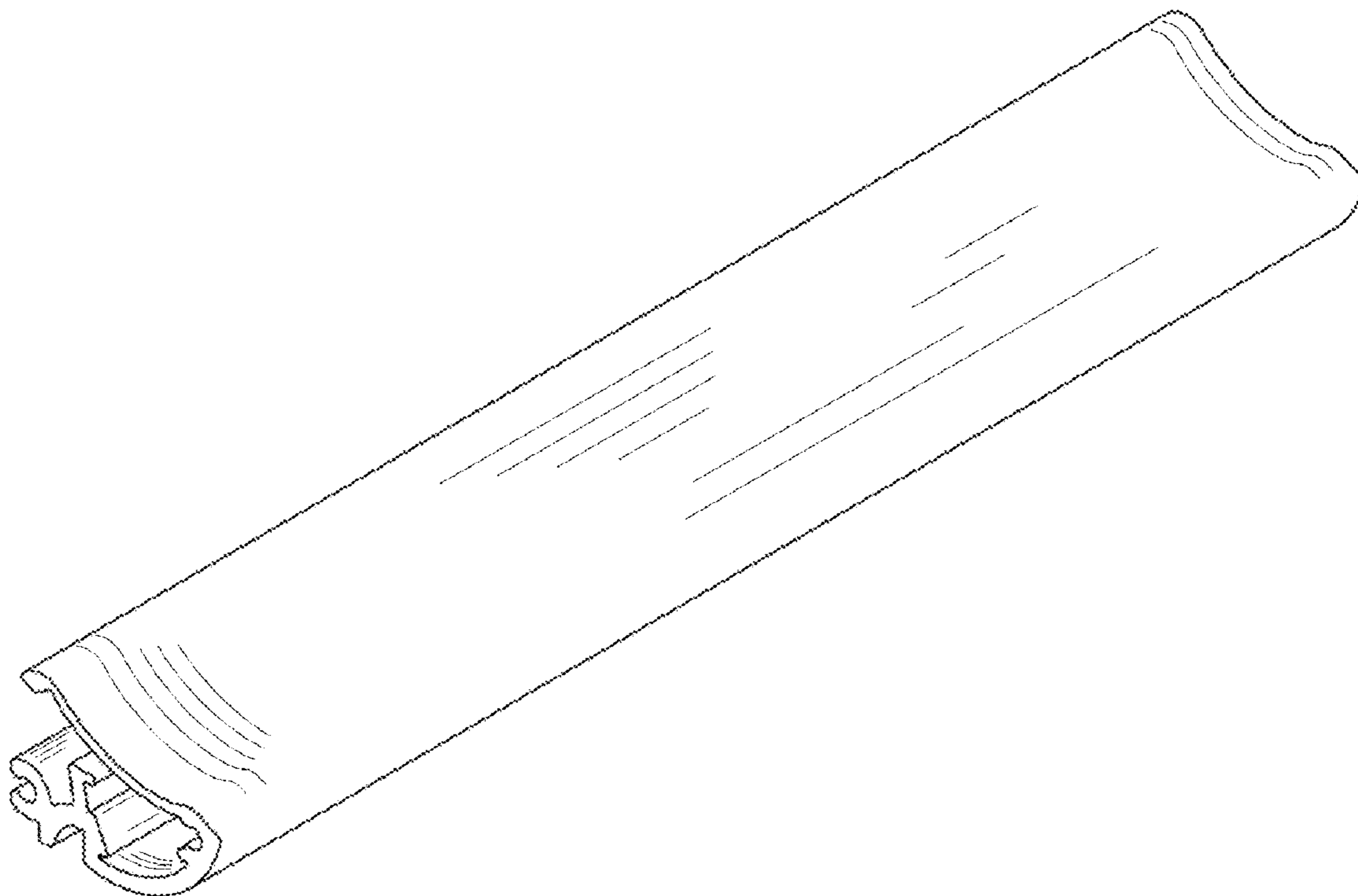
FIG. 4 is a front view of the shelf light in FIG. 1.

FIG. 5 is a back view of the shelf light in FIG. 1.

FIG. 6 is a top view of the shelf light in FIG. 1; and,

FIG. 7 is a bottom view of the shelf light in FIG. 1.

1 Claim, 4 Drawing Sheets



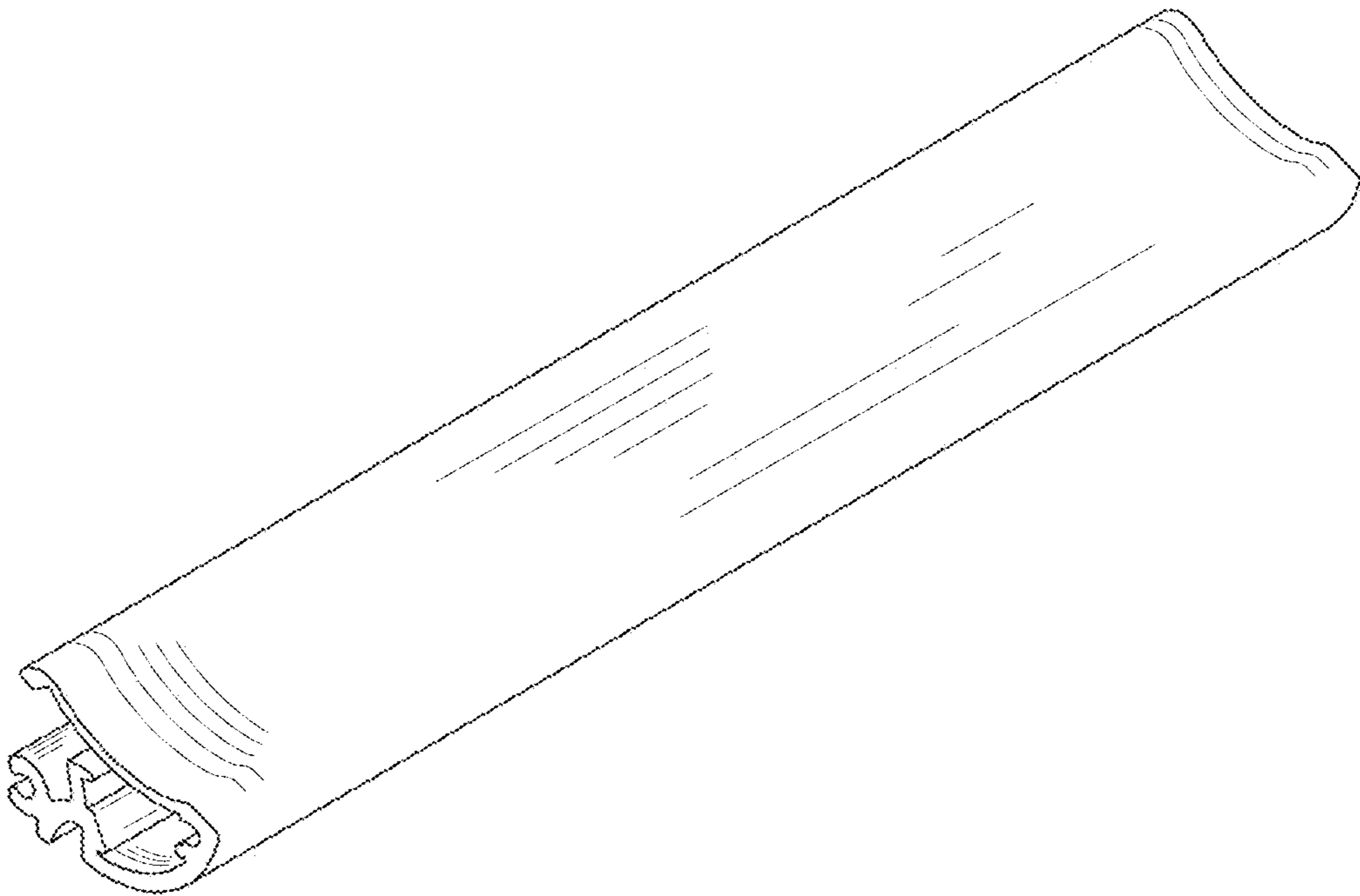


FIG. 1

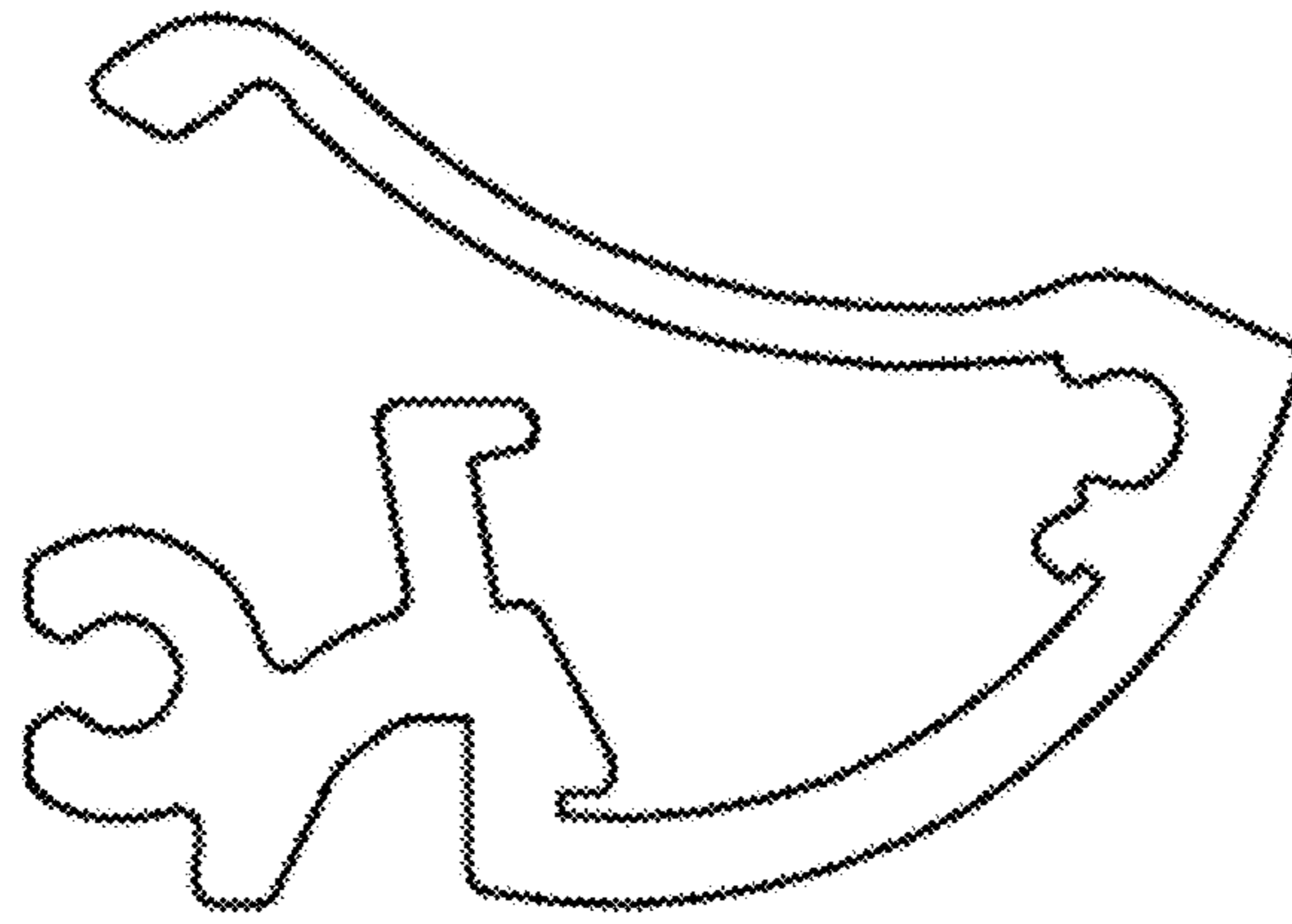


FIG. 2

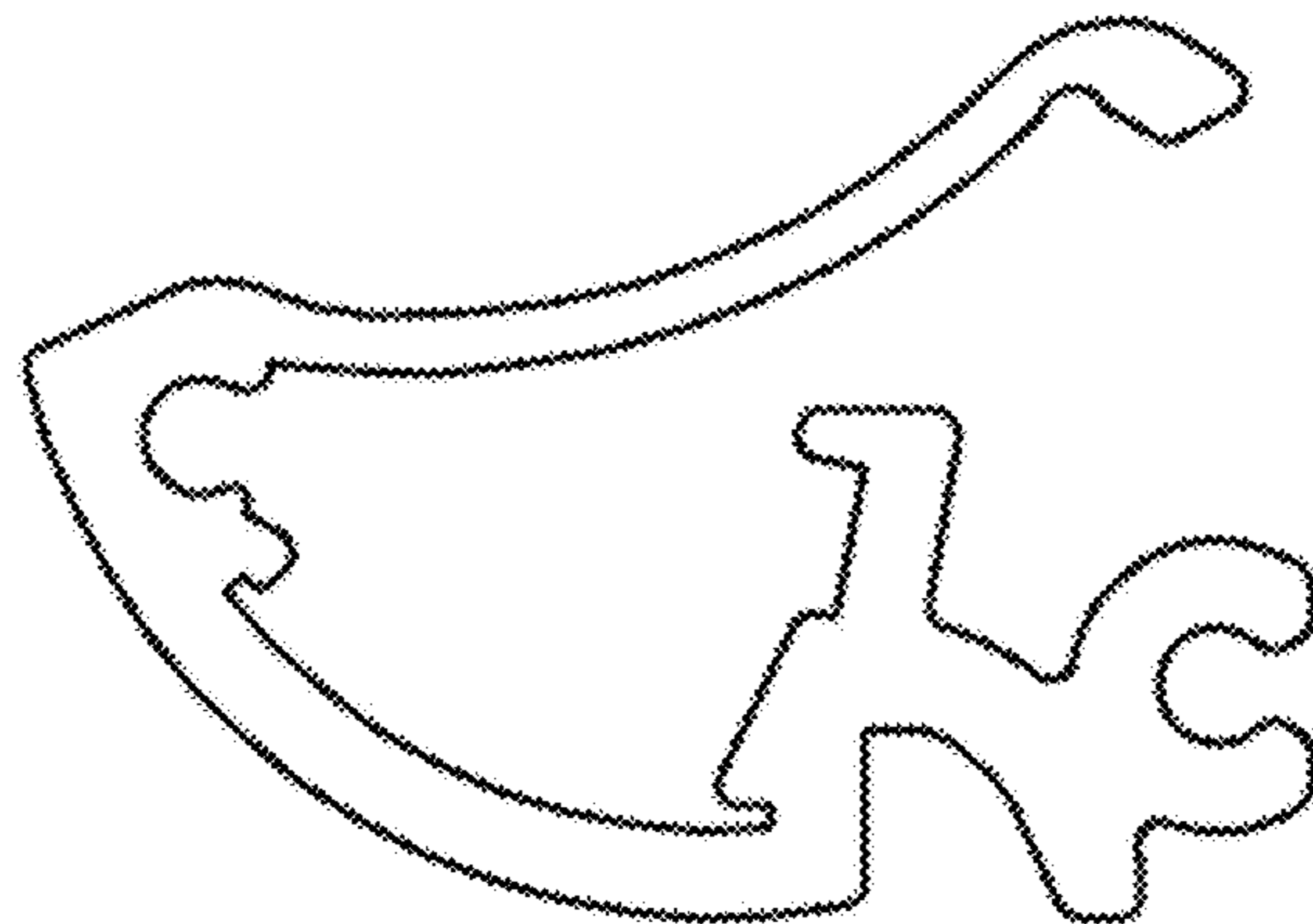


FIG. 3

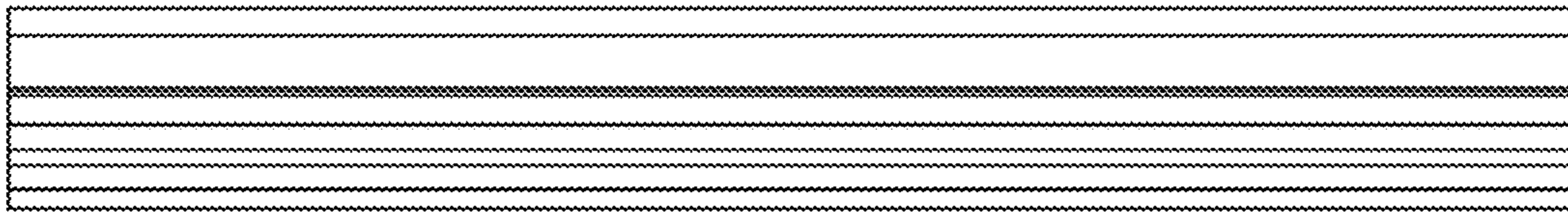


FIG. 4

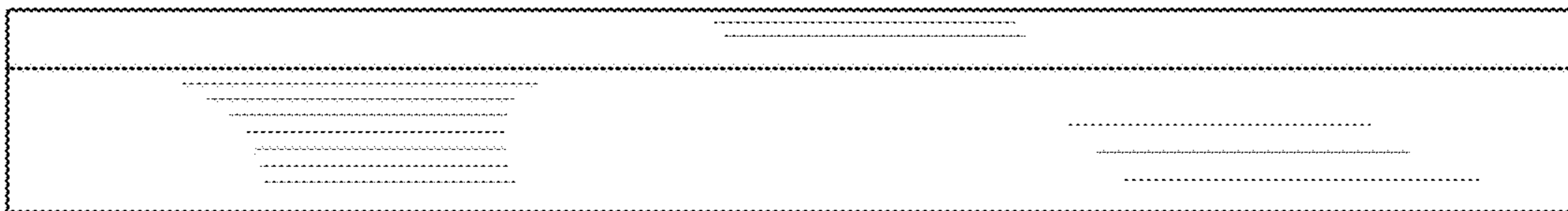


FIG. 5



FIG. 6

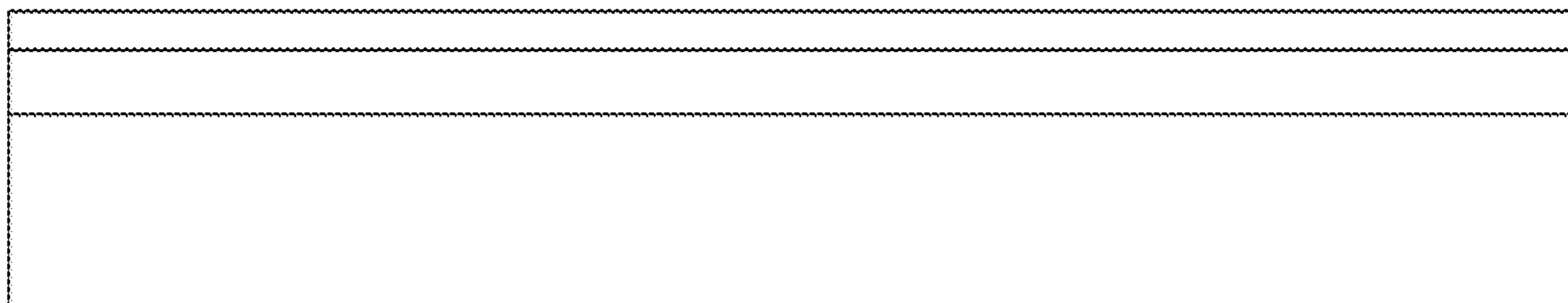


FIG. 7