



US00D818633S

(12) **United States Design Patent** (10) **Patent No.:** **US D818,633 S**
Barker et al. (45) **Date of Patent:** **** May 22, 2018**

(54) **CHANNEL FOR AN LED STRIP**
(71) Applicants: **Mason Barker**, Monterey Park, CA
(US); **Kevin Furry**, Folsom, CA (US)
(72) Inventors: **Mason Barker**, Monterey Park, CA
(US); **Kevin Furry**, Folsom, CA (US)
(73) Assignee: **Optic Arts, Inc.**, Monterey, CA (US)
(**) Term: **15 Years**
(21) Appl. No.: **29/581,614**
(22) Filed: **Oct. 20, 2016**
(51) **LOC (11) Cl.** **26-99**
(52) **U.S. Cl.**
USPC **D26/118**
(58) **Field of Classification Search**
USPC D26/118, 119, 138, 141
CPC G02B 5/126; H02G 3/0418; E04F 19/04;
B60Q 3/004; F21K 9/135; F21K 9/27;
F21S 8/02; F21Y 2101/00; F21Y
2103/10; F21Y 2107/30; F21Y 2115/10
See application file for complete search history.

(56) **References Cited**
U.S. PATENT DOCUMENTS
6,903,265 B1 * 6/2005 VanderVelde H02G 3/0418
174/481
D621,542 S * 8/2010 Klus D26/138

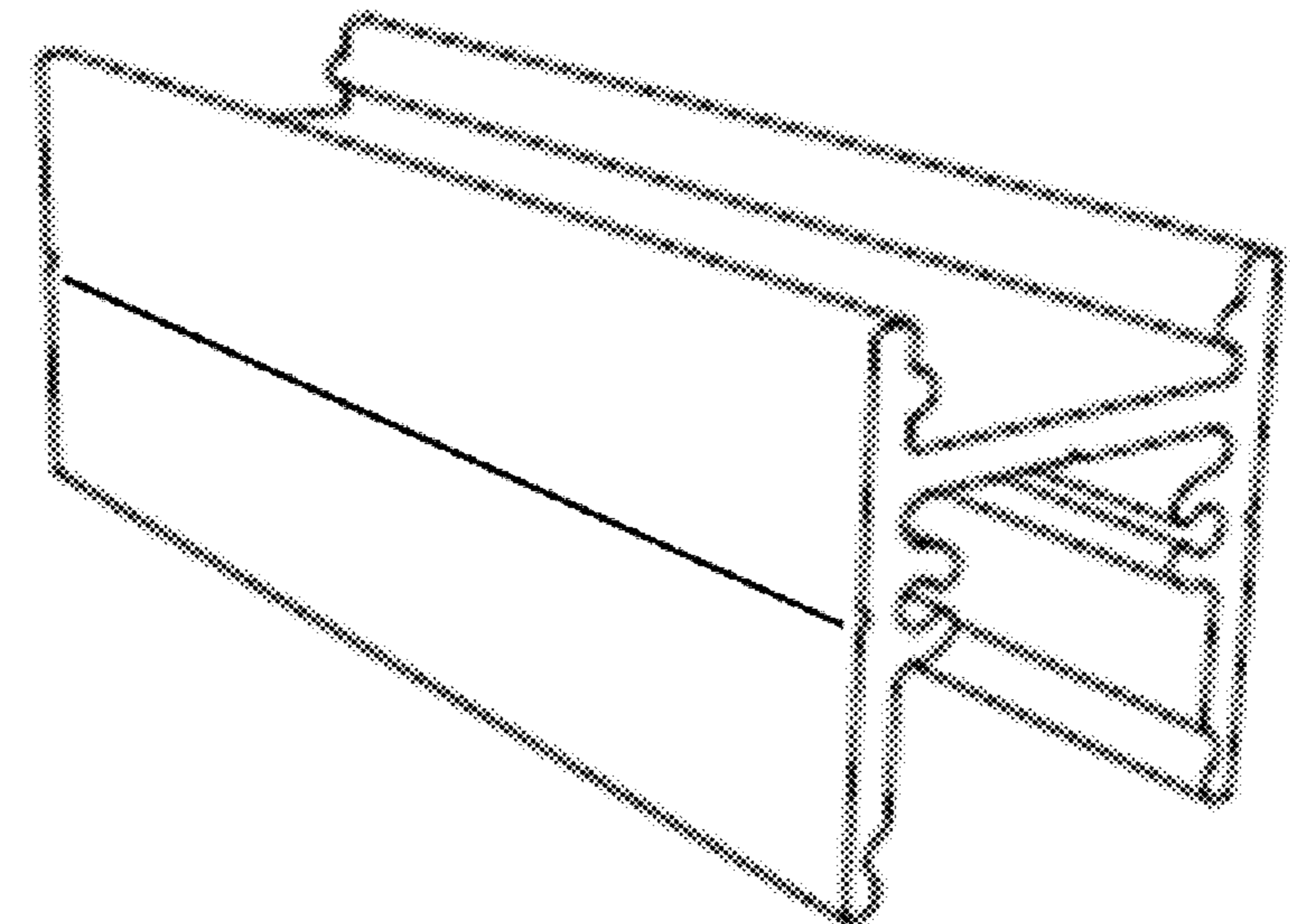
D623,342 S * 9/2010 Klu D26/138
D724,256 S * 3/2015 Klus D26/141
D731,700 S * 6/2015 Santoro D26/118
D792,017 S * 7/2017 Klus D26/138
D793,617 S * 8/2017 Trzcielinski D26/118
D796,111 S * 8/2017 Trzcielinski D26/142
D797,349 S * 9/2017 Rashidi Doust D26/118
D800,374 S * 10/2017 Klus D26/118

* cited by examiner
Primary Examiner — Brian N. Vinson
(74) *Attorney, Agent, or Firm* — Berliner & Associates

(57) **CLAIM**
The ornamental design for a channel for an LED strip, as shown and described.

DESCRIPTION
FIG. 1 is a perspective view of a channel for an LED strip of this invention;
FIG. 2 is a front end elevation view thereof, the rear end view being identical;
FIG. 3 is a top plan view thereof;
FIG. 4 is a bottom plan view thereof; and,
FIG. 5 is a side view thereof, the opposite side view being identical.

1 Claim, 1 Drawing Sheet



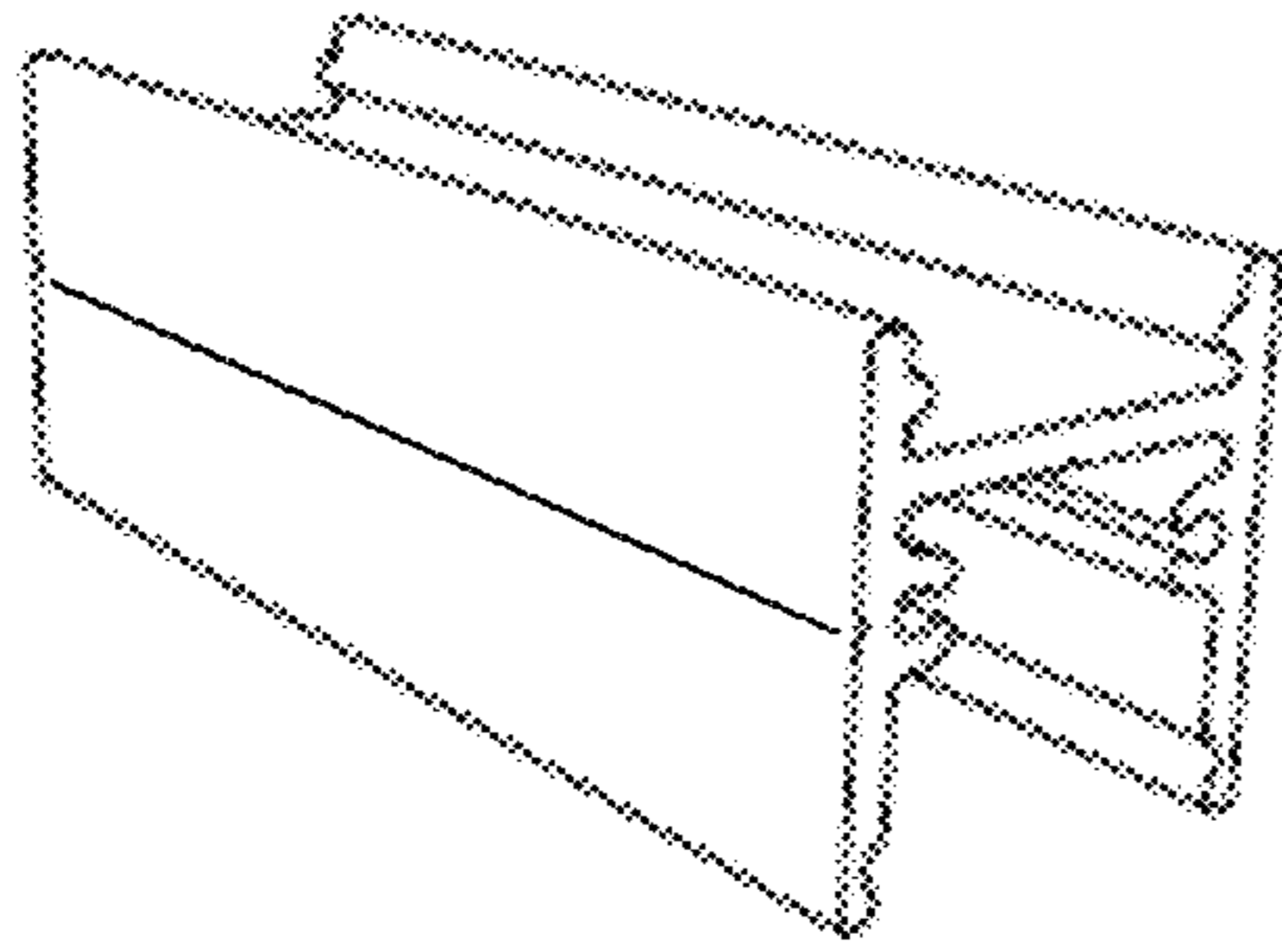


Fig. 1

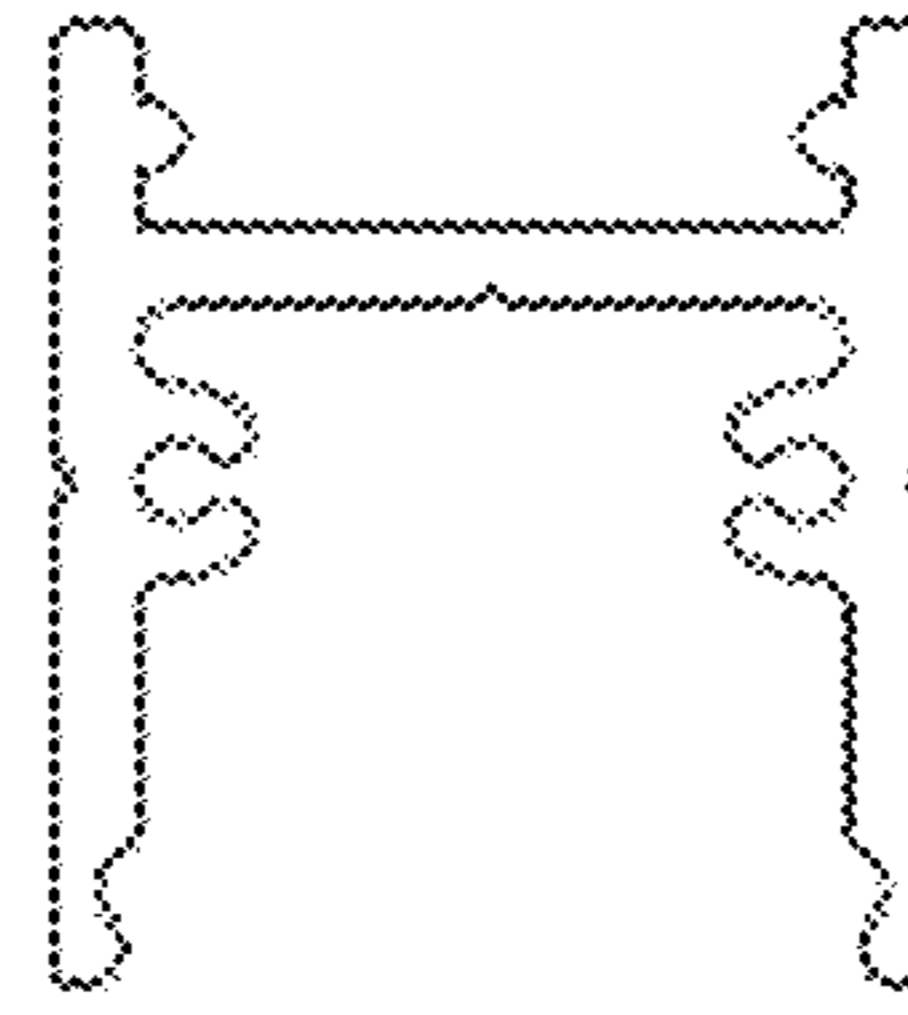


Fig. 2

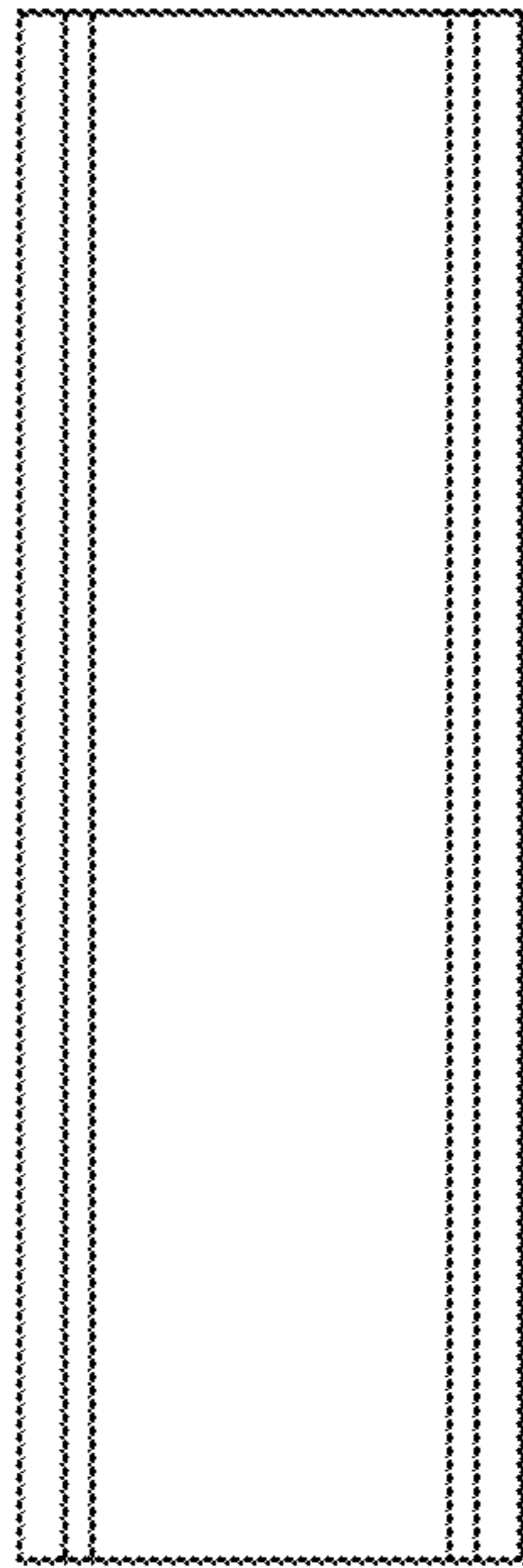


Fig. 3

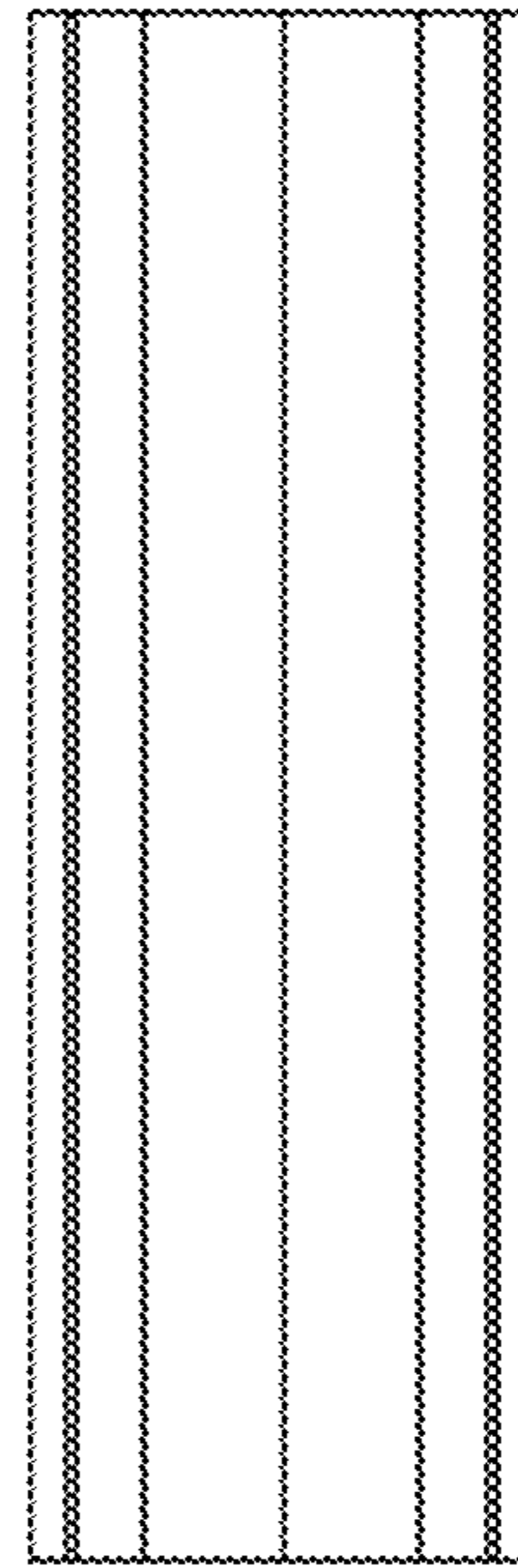


Fig. 4

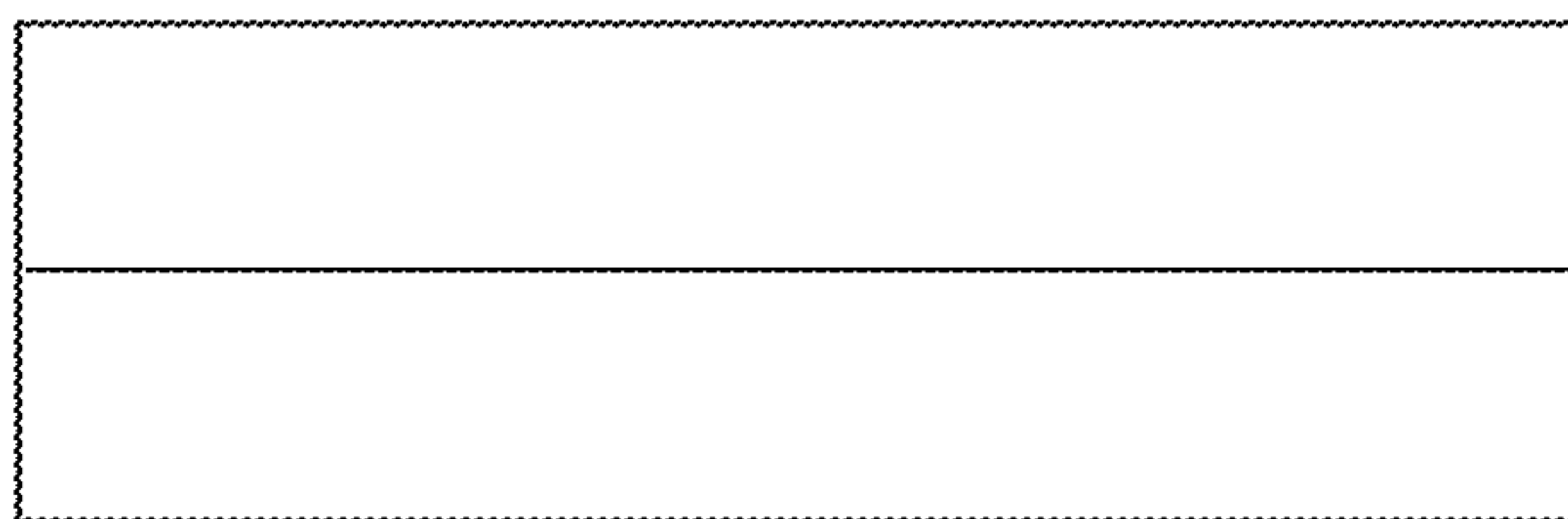


Fig. 5