



US00D818632S

(12) **United States Design Patent**
Kotovsky

(10) **Patent No.:** **US D818,632 S**

(45) **Date of Patent:** **** May 22, 2018**

(54) **LIGHTING APPARATUS**

(71) Applicant: **Irwin Kotovsky**, Pittsburgh, PA (US)

(72) Inventor: **Irwin Kotovsky**, Pittsburgh, PA (US)

(**) Term: **15 Years**

(21) Appl. No.: **29/581,218**

(22) Filed: **Oct. 17, 2016**

(51) **LOC (11) Cl.** **26-99**

(52) **U.S. Cl.**
USPC **D26/118**

(58) **Field of Classification Search**
USPC D26/1, 24, 61, 63, 65, 118, 124
CPC F21V 21/14; F21V 15/01; F21V 14/02;
F21V 21/30; F21V 14/00; F21V 21/08;
F21V 21/35; F21S 8/00; F21Y 2105/001
See application file for complete search history.

(56) **References Cited**

U.S. PATENT DOCUMENTS

- 3,725,695 A * 4/1973 Eversberg F21V 21/35
174/99 B
- 5,205,643 A * 4/1993 Lin F21V 21/08
362/371

- D358,667 S * 5/1995 Franson D25/124
- D370,076 S * 5/1996 Lecluze D26/63
- D437,651 S * 2/2001 Tang D26/63
- D437,955 S * 2/2001 Tang D26/63
- D586,491 S * 2/2009 Levine D26/63
- D663,877 S * 7/2012 Quevy D26/63
- D780,357 S * 2/2017 Kliegl D26/63
- D784,588 S * 4/2017 Piano D26/65

* cited by examiner

Primary Examiner — Brian N. Vinson

(74) *Attorney, Agent, or Firm* — Ansel M. Schwartz

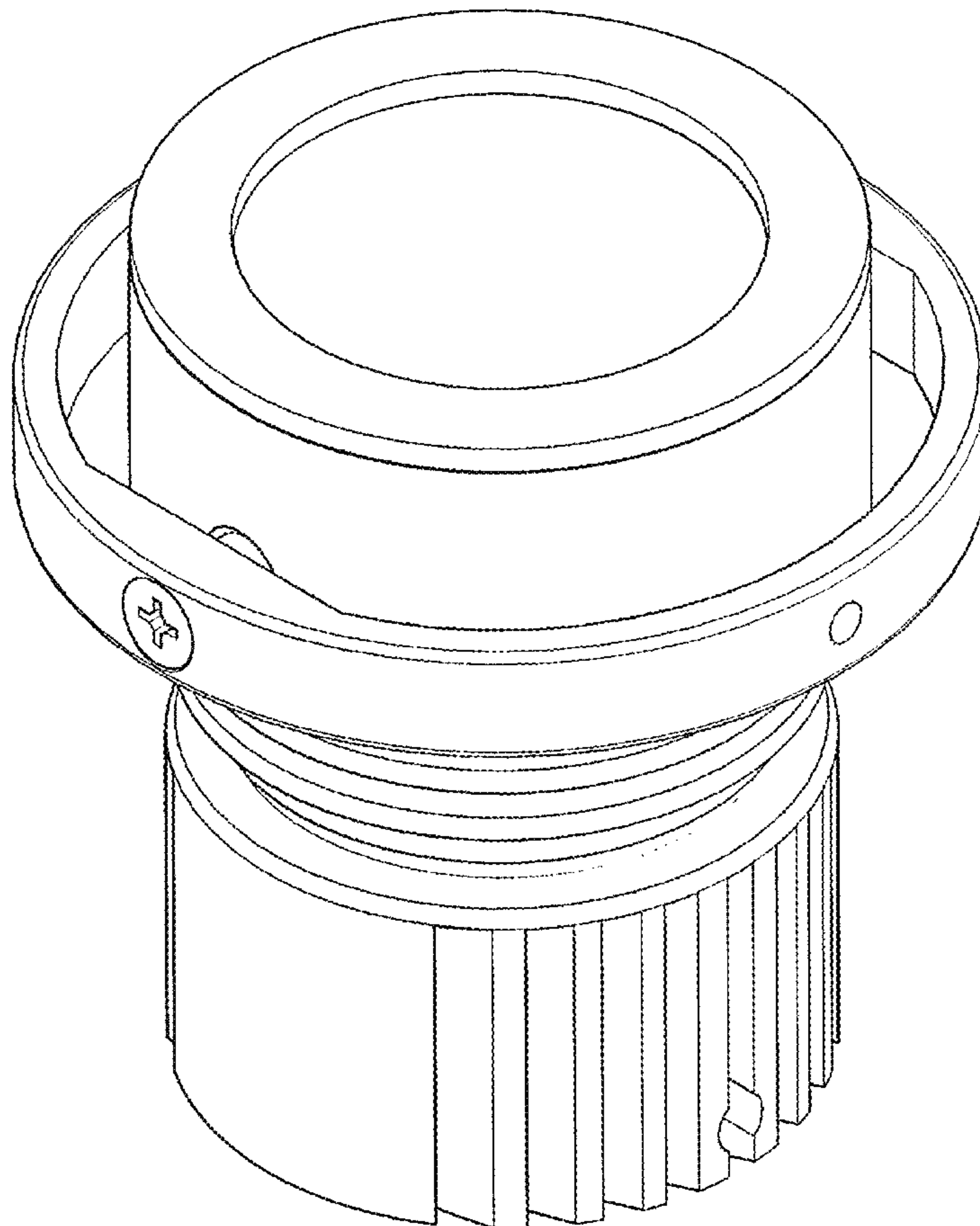
(57) **CLAIM**

The ornamental design for a lighting apparatus, as shown and described.

DESCRIPTION

FIG. 1 is a top elevational view of a lighting apparatus showing my new design;
FIG. 2 is a bottom elevational view thereof;
FIG. 3 is a right side elevational view thereof;
FIG. 4 is a left side elevational view thereof; and,
FIG. 5 is a front perspective view thereof.

1 Claim, 5 Drawing Sheets



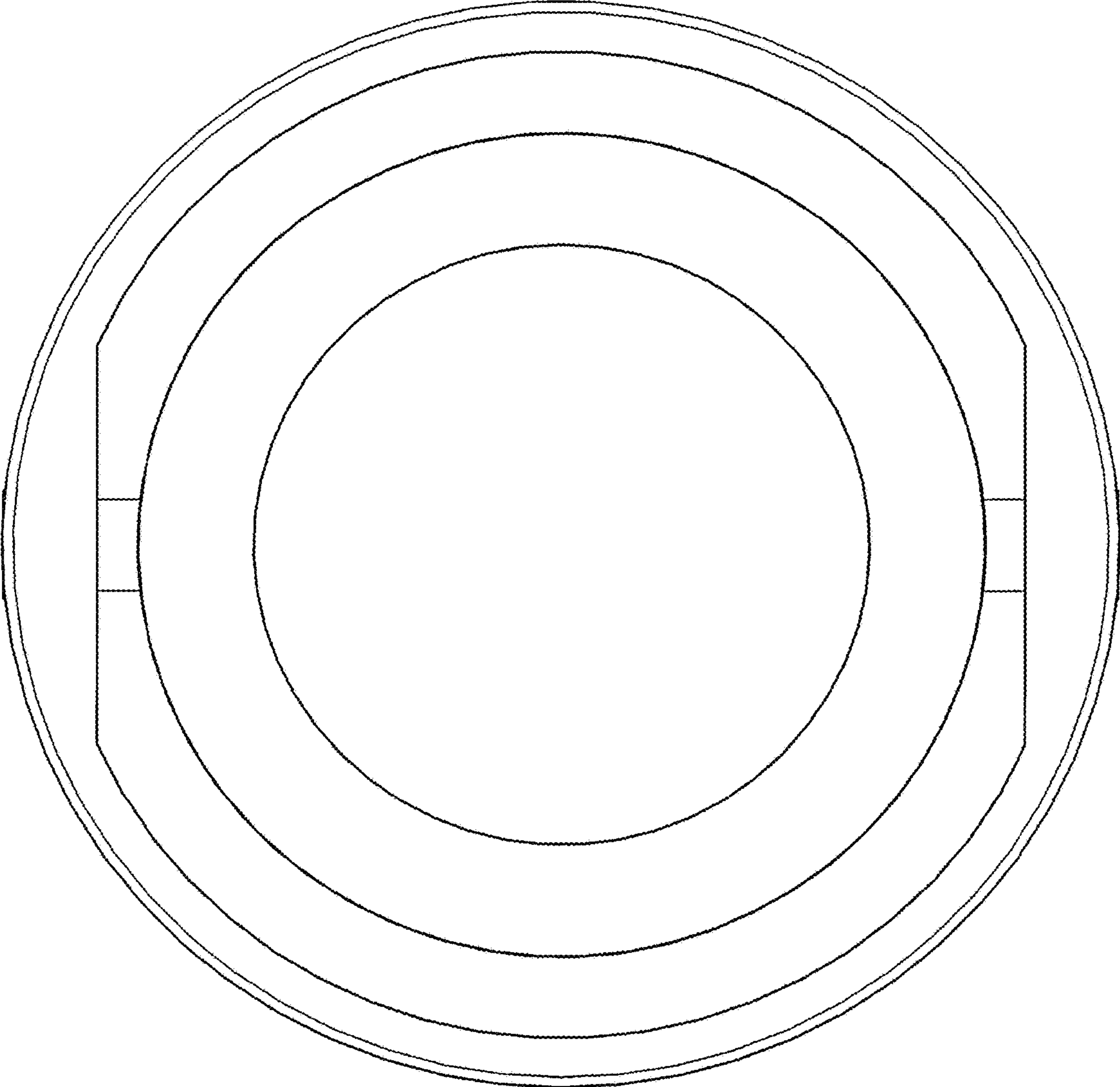


FIG. 1

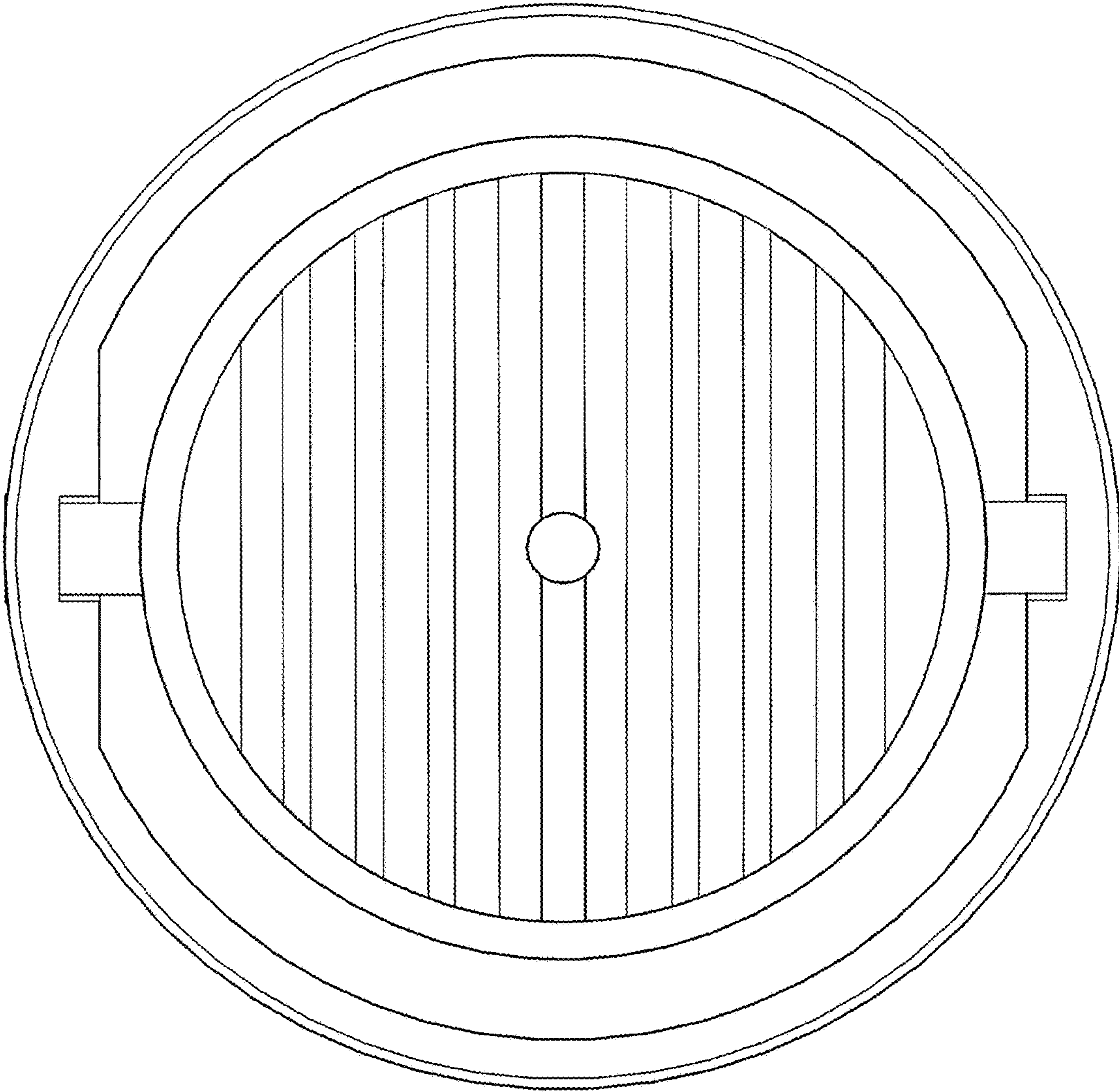


FIG. 2

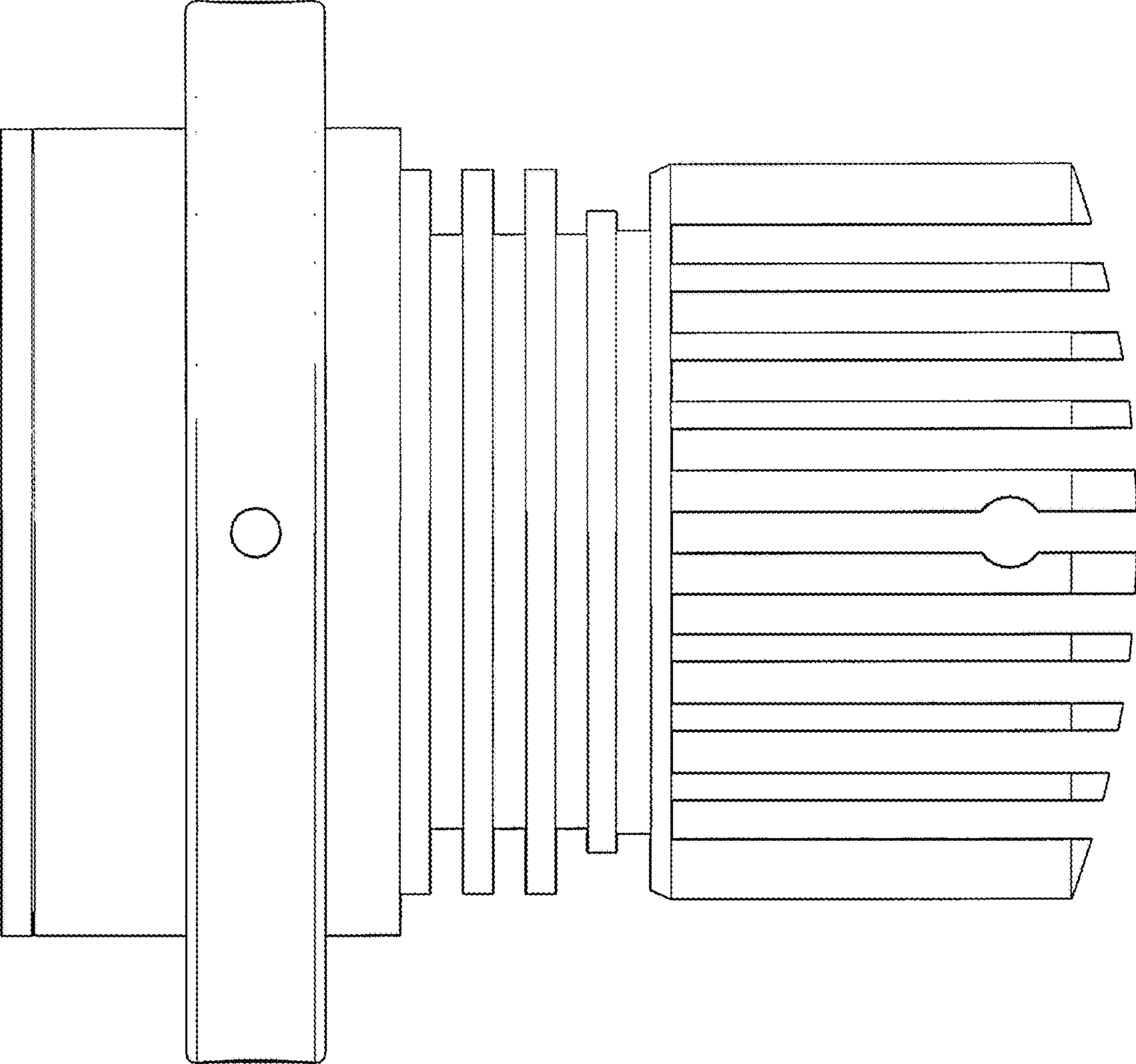


FIG. 3

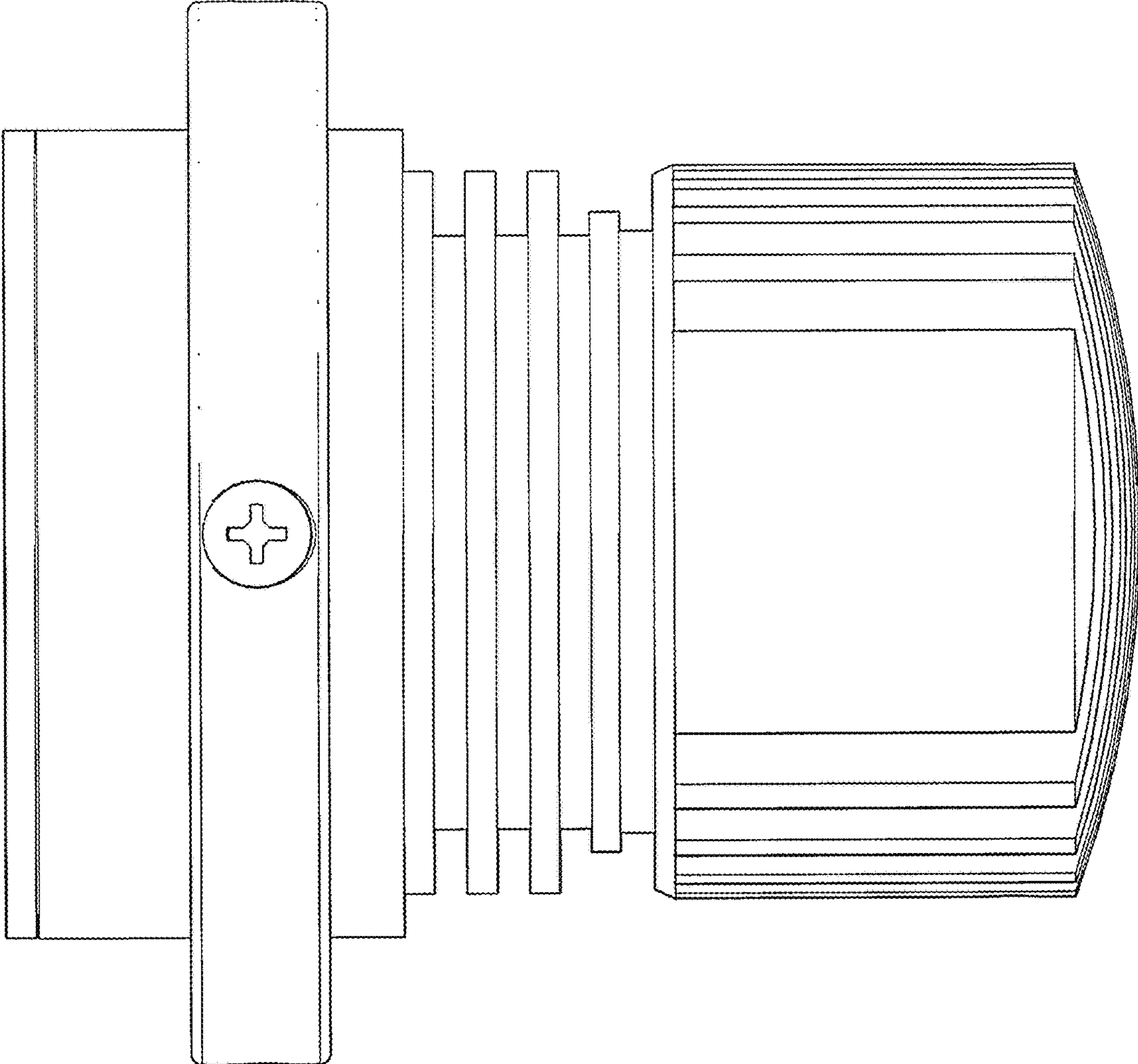


FIG. 4

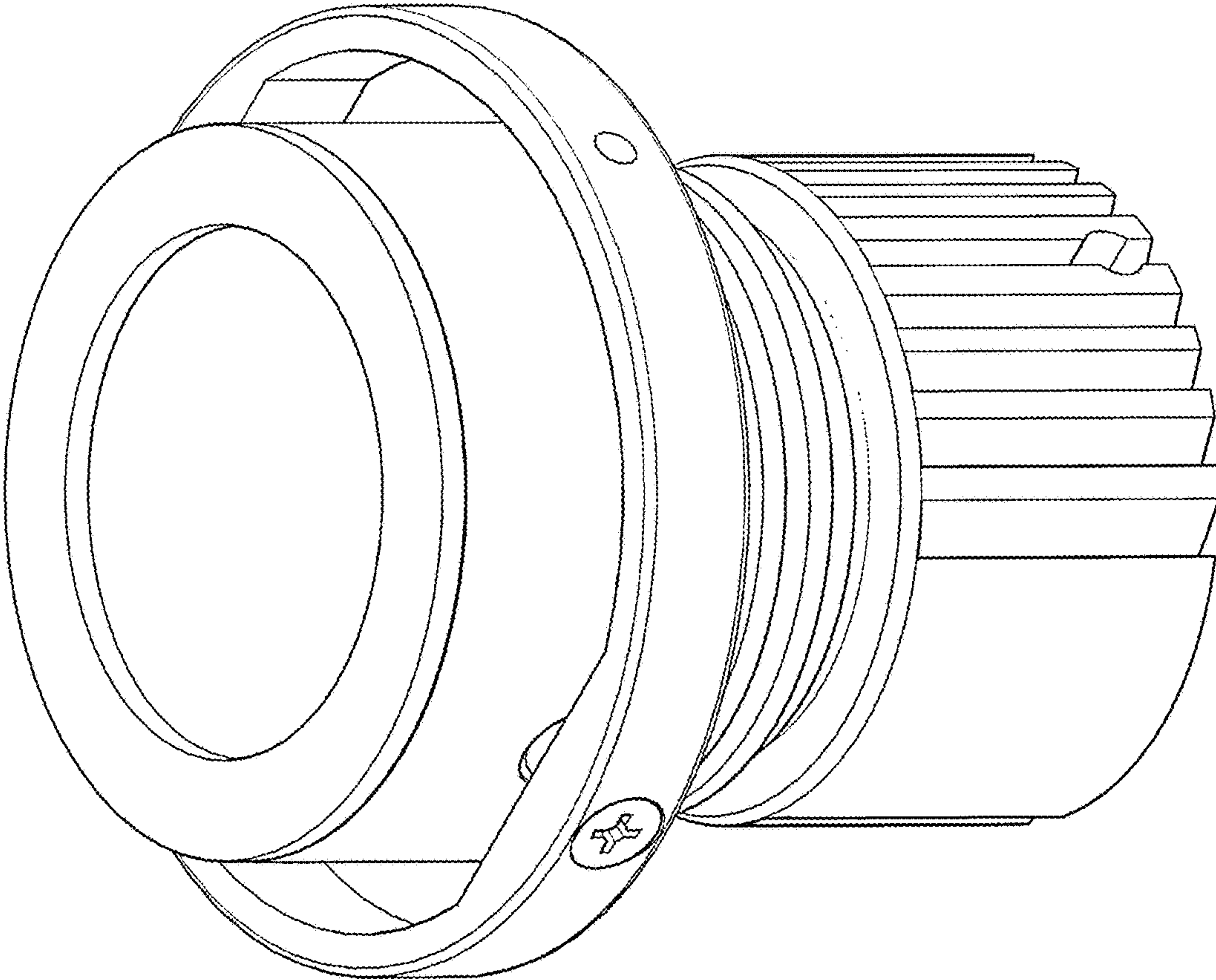


FIG. 5