



US00D818629S

(12) **United States Design Patent**  
**Zhou et al.**

(10) **Patent No.:** **US D818,629 S**  
(45) **Date of Patent:** **\*\* May 22, 2018**

(54) **LAMP**  
(71) Applicant: **MAINHOUSE (XIAMEN) ELECTRONICS CO., LTD.**, Xiamen (CN)  
(72) Inventors: **Nanqing Zhou**, Xiamen (CN); **Ting Luo**, Xiamen (CN); **Rongkui Wu**, Xiamen (CN)  
(73) Assignee: **MAINHOUSE (XIAMEN) ELECTRONICS CO., LTD.**, Xiamen, Fujian (CN)

2,895,041 A \* 7/1959 Shoglow ..... F21V 17/06 362/452  
D240,761 S \* 7/1976 Medford ..... D26/106  
D337,392 S \* 7/1993 Lin ..... D26/106  
D370,071 S \* 5/1996 Sonneman ..... D26/106  
D432,703 S \* 10/2000 Dolan ..... D26/106  
D436,683 S \* 1/2001 Yeh ..... D26/106  
6,402,352 B1 \* 6/2002 Summerford ..... F21S 8/088 362/269  
D756,018 S \* 5/2016 Ho ..... D26/104  
D770,070 S \* 10/2016 Zhou ..... D26/41  
D785,223 S \* 4/2017 Patton ..... D26/67

\* cited by examiner

*Primary Examiner* — Brian N. Vinson

(74) *Attorney, Agent, or Firm* — Leong C. Lei

(\*\*) Term: **15 Years**

(21) Appl. No.: **29/590,342**

(22) Filed: **Jan. 10, 2017**

(51) **LOC (11) Cl.** ..... **26-03**

(52) **U.S. Cl.**  
USPC ..... **D26/106**

(58) **Field of Classification Search**  
USPC ..... D26/1, 24, 47, 49, 93, 94, 104, 106, 110  
CPC .... F21S 6/00; F21S 6/002; F21S 10/00; F21S 10/002; F21V 14/00; F21V 21/02; F21W 2131/30

See application file for complete search history.

(56) **References Cited**

**U.S. PATENT DOCUMENTS**

D126,122 S \* 3/1941 Chilo ..... D26/141  
D174,582 S \* 4/1955 Landis ..... D26/63

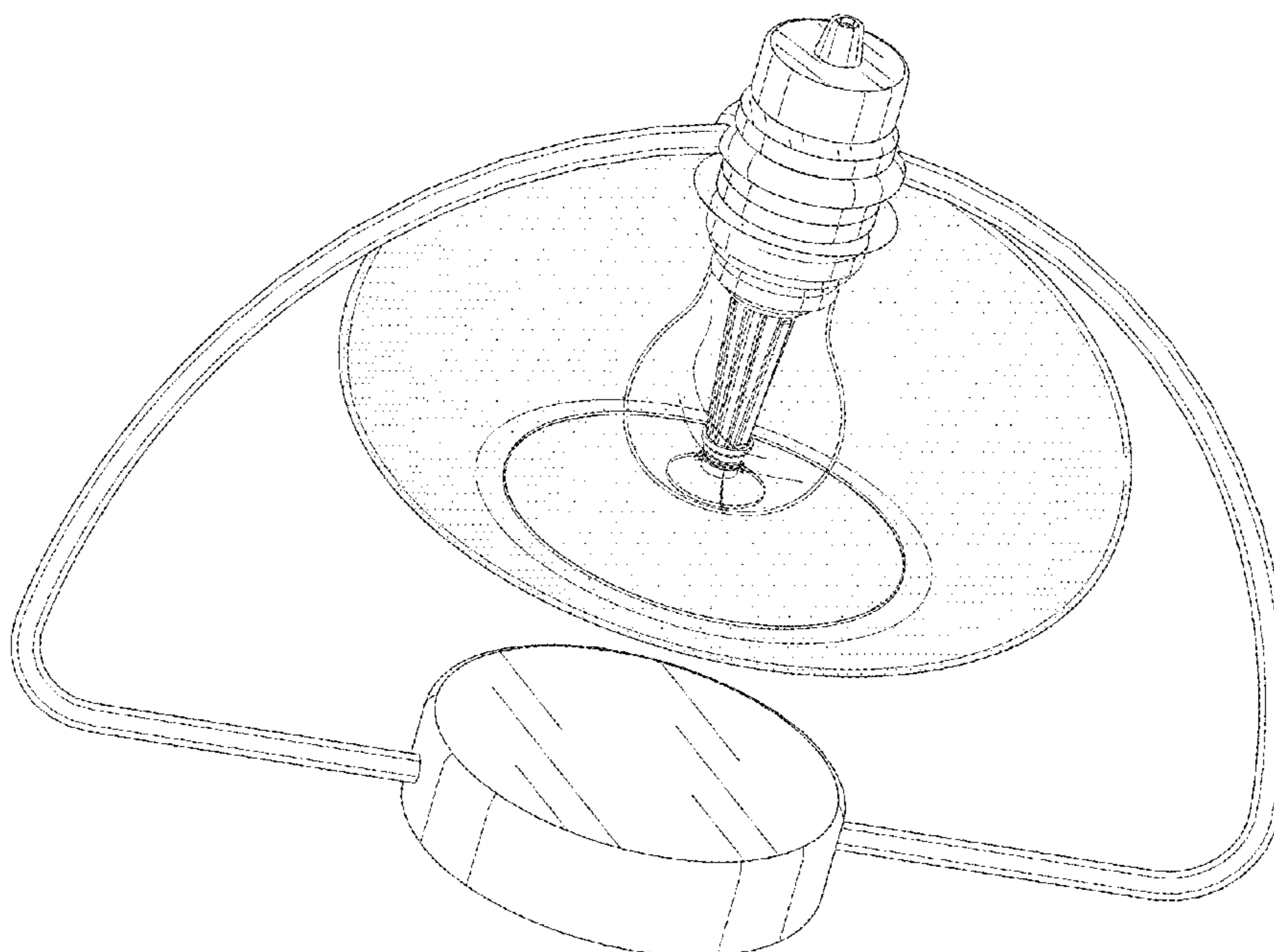
(57) **CLAIM**

The ornamental design for a lamp, as shown and described.

**DESCRIPTION**

FIG. 1 is a perspective view of a lamp showing my present design;  
FIG. 2 is a front view thereof;  
FIG. 3 is a rear view thereof;  
FIG. 4 is a left side view thereof;  
FIG. 5 is a right side view thereof;  
FIG. 6 is a top view thereof; and,  
FIG. 7 is a bottom view thereof.  
The broken line disclosure represents portions of the lamp which forms no part of the claimed design.

**1 Claim, 6 Drawing Sheets**



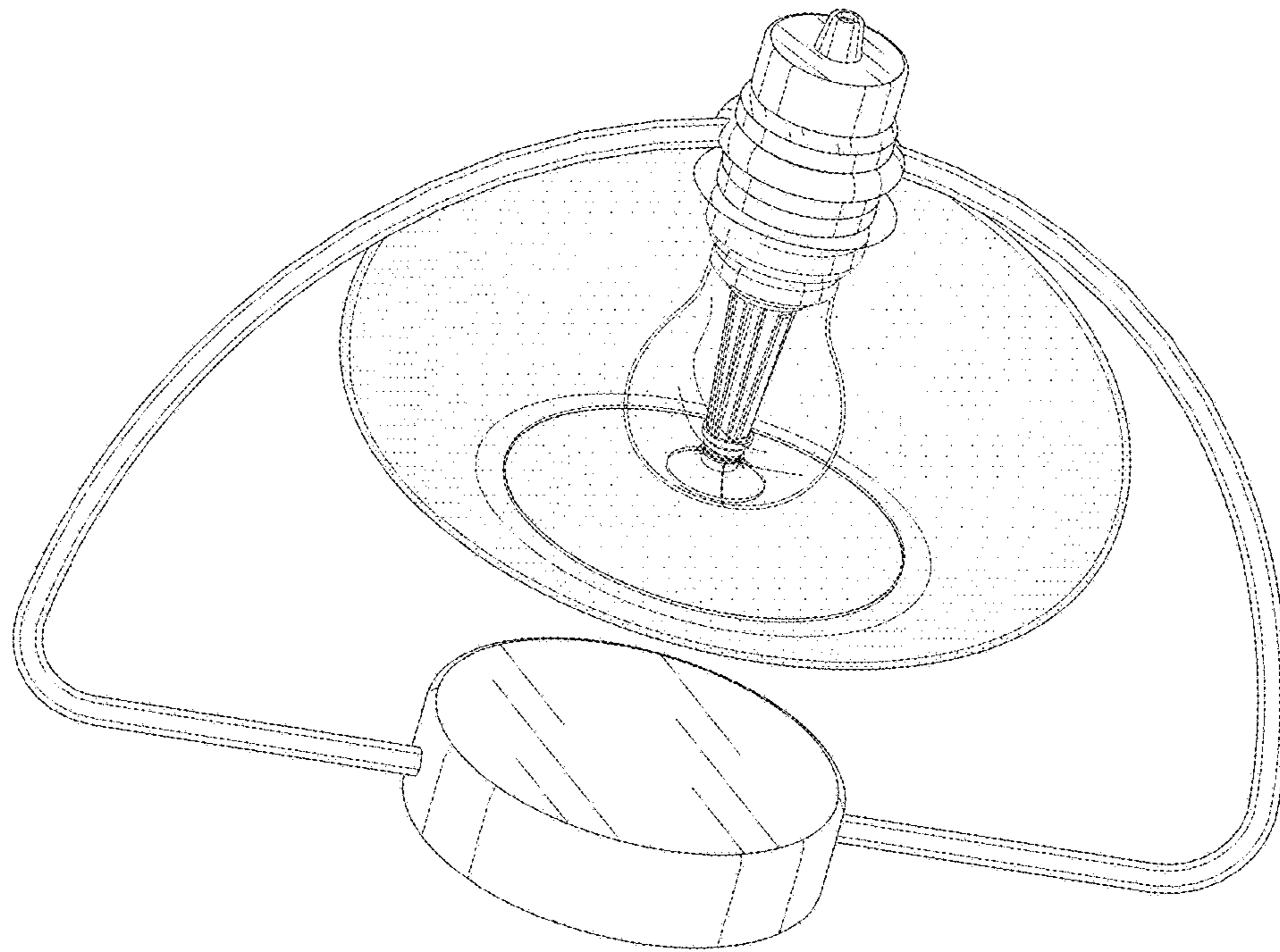


FIG. 1

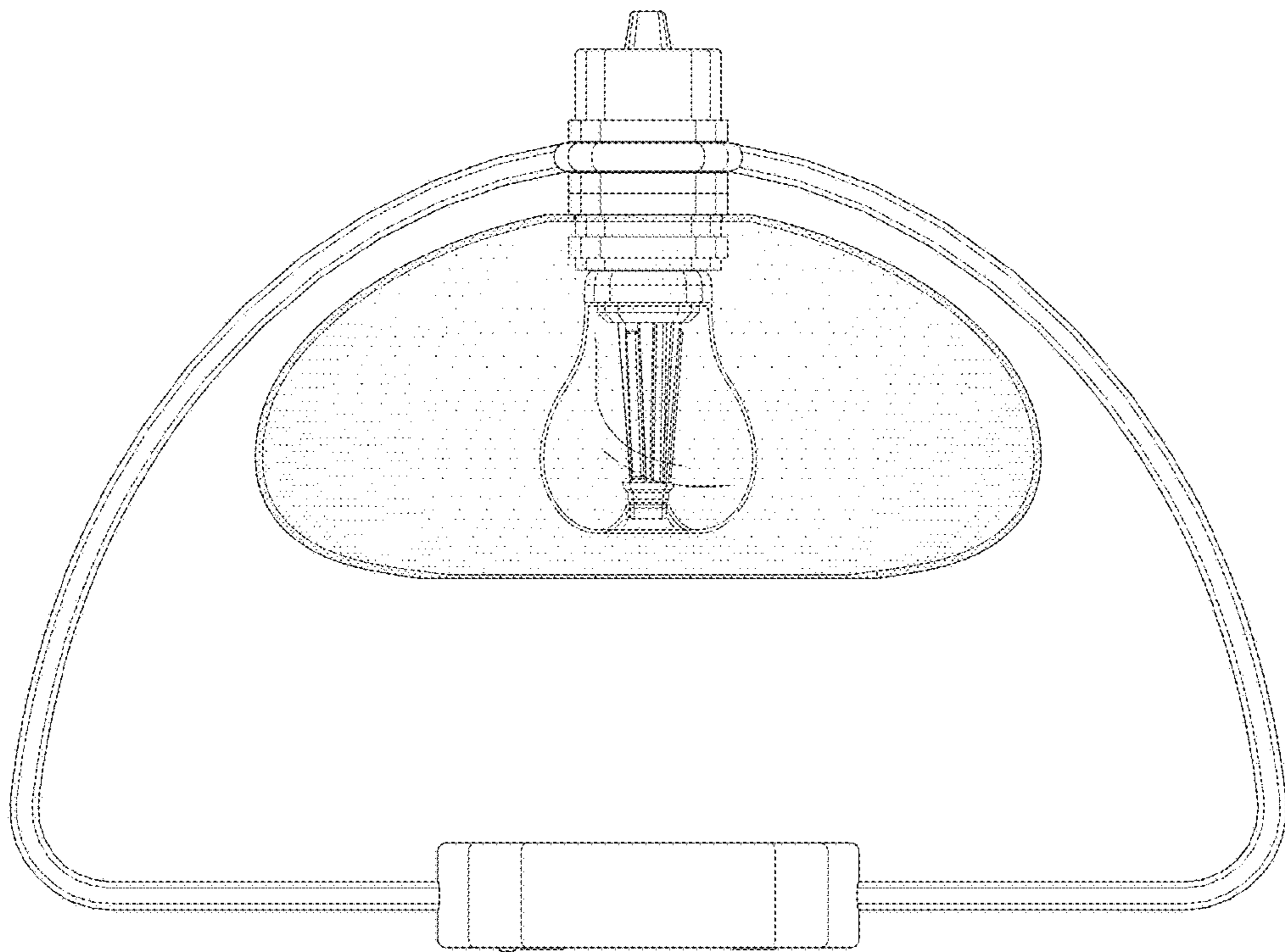
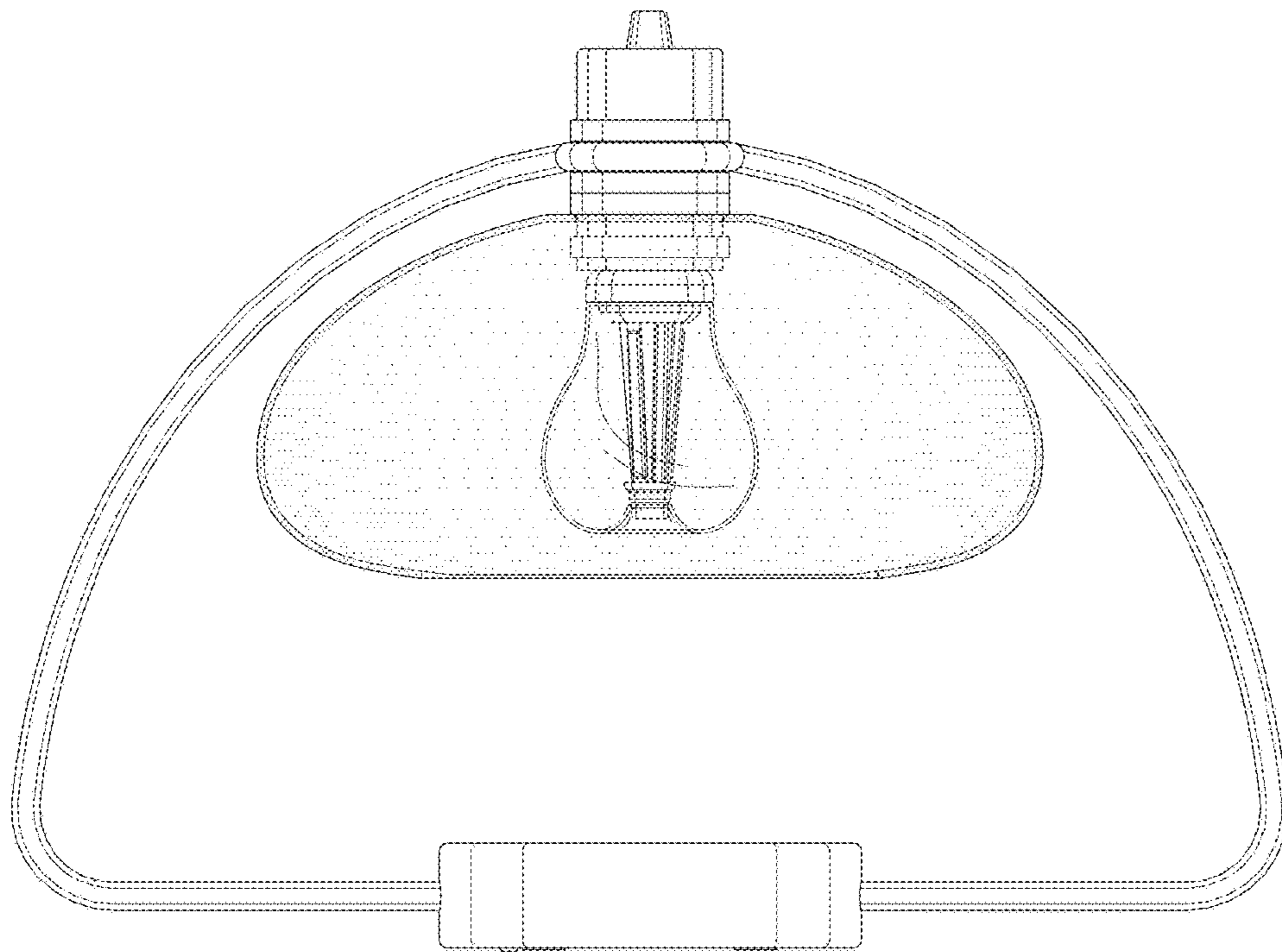
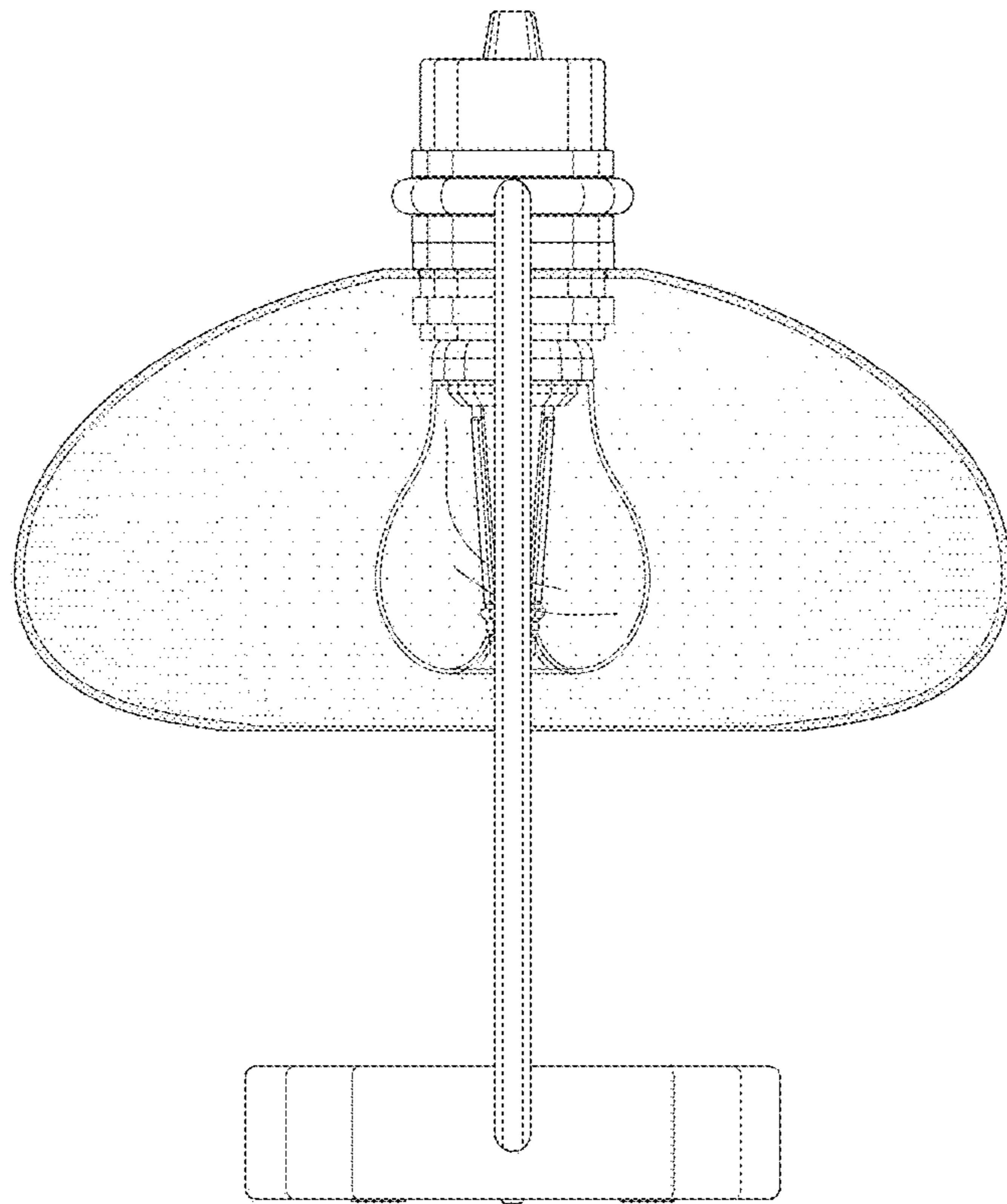


FIG. 2

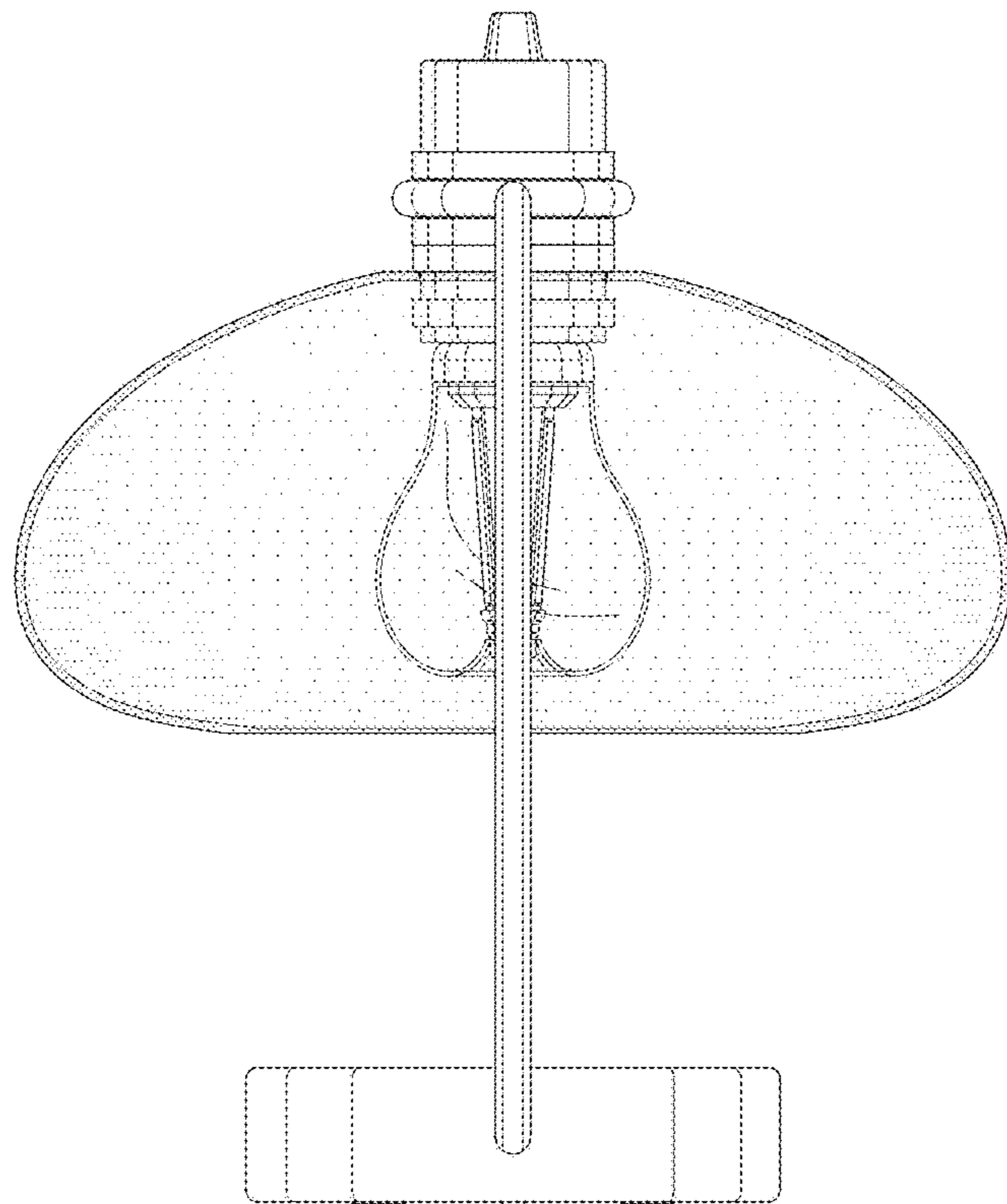


**FIG. 3**

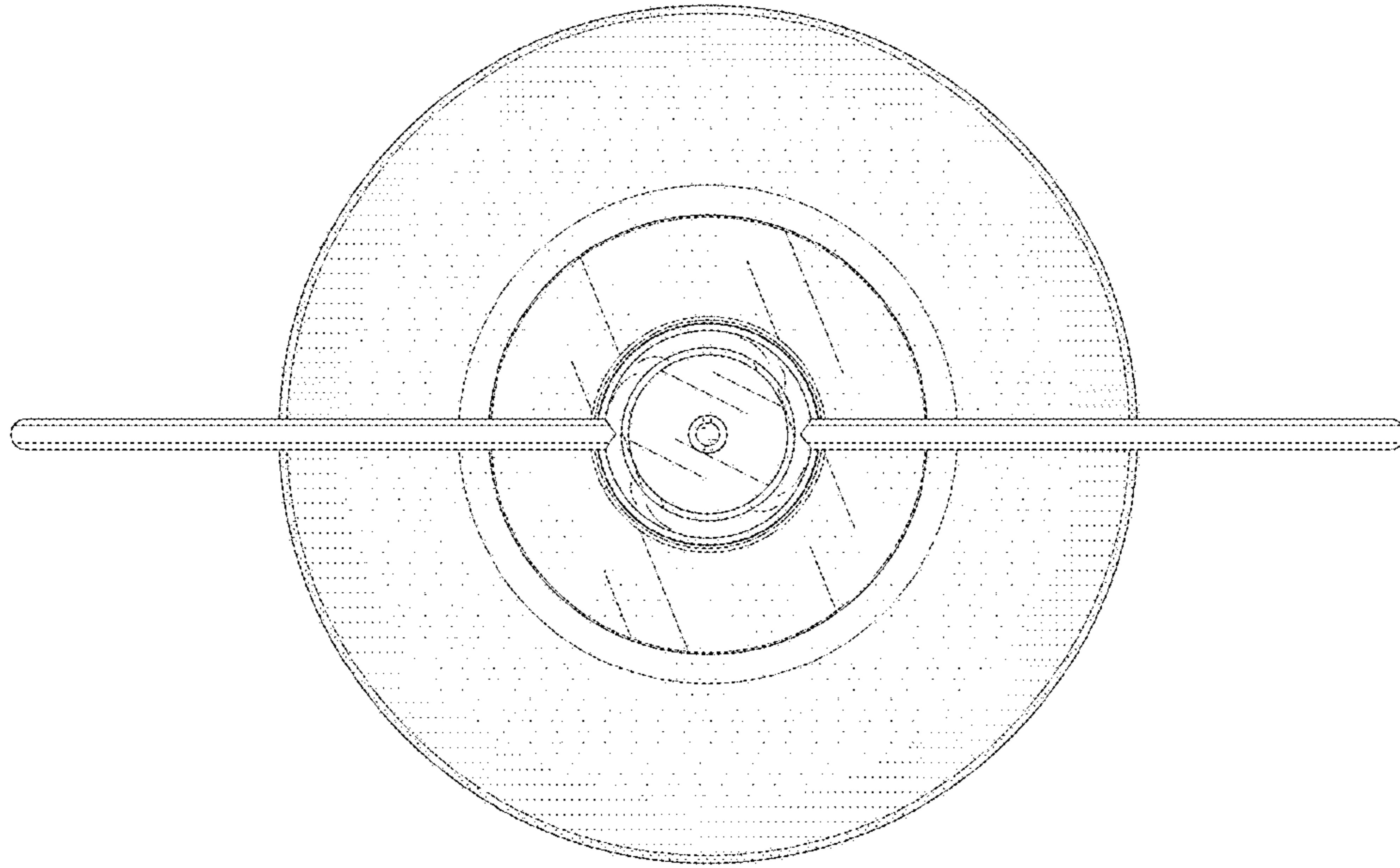


**FIG. 4**

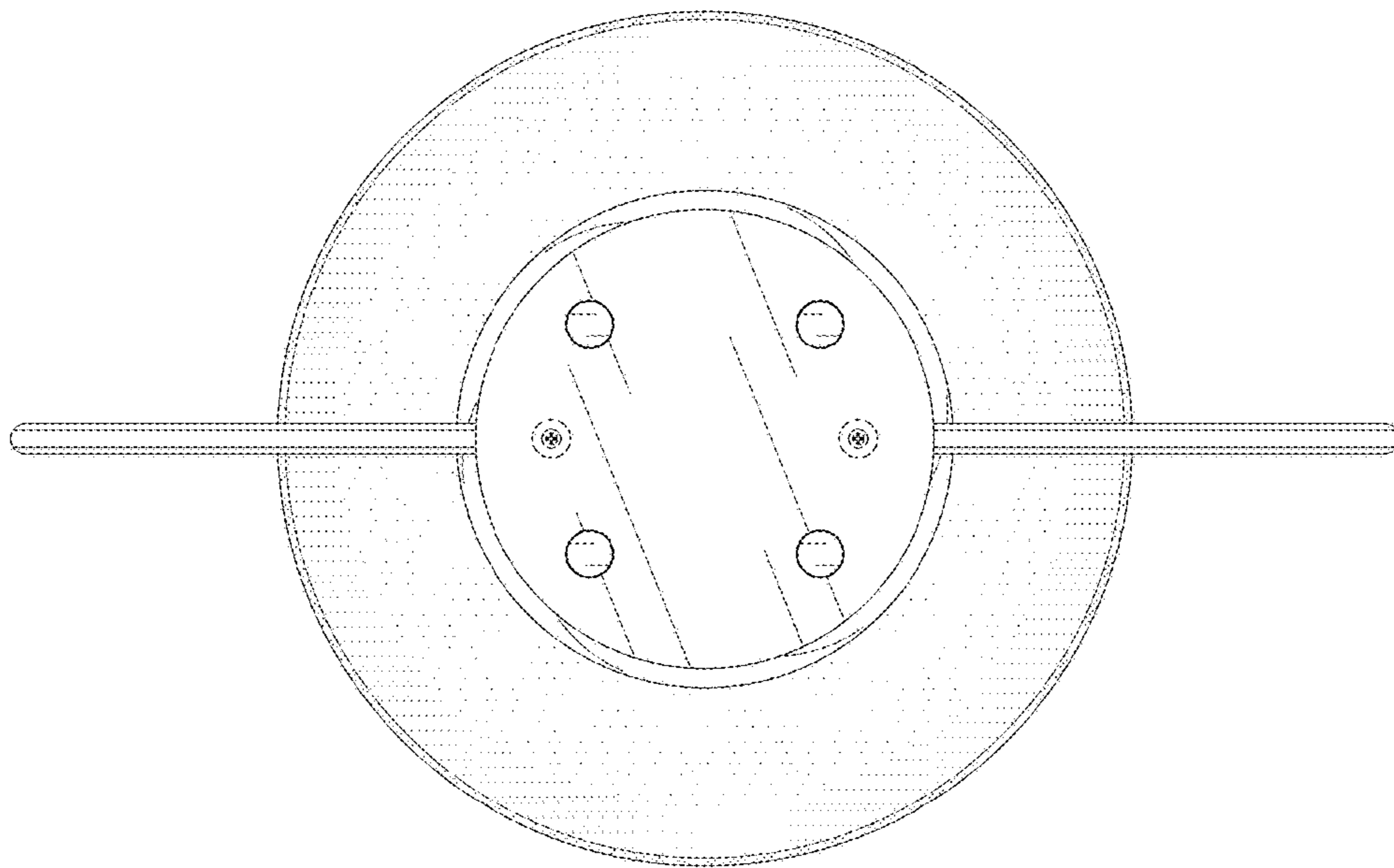




**FIG. 5**



**F I G . 6**



**F I G . 7**