



US00D818628S

(12) **United States Design Patent** (10) **Patent No.:** **US D818,628 S**
Wilson (45) **Date of Patent:** **** May 22, 2018**

(54) **LAMP**

(71) Applicant: **SLAMP S.P.A.**, Pomezia (IT)

(72) Inventor: **Robert Wilson**, New York, NY (US)

(73) Assignee: **SLAMP S.P.A.**, Pomezia (IT)

(**) Term: **15 Years**

(21) Appl. No.: **29/583,327**

(22) Filed: **Nov. 4, 2016**

(30) **Foreign Application Priority Data**

May 31, 2016 (WO) DM/090898

(51) **LOC (11) Cl.** **26-03**

(52) **U.S. Cl.**
USPC **D26/93**

(58) **Field of Classification Search**

USPC D26/24, 93, 94, 102, 104, 105, 108, 110,
D26/79, 118; D11/131, 141, 121

CPC F21S 6/00; F21S 6/002; F21S 8/00; F21S
6/08; F21V 3/00; F21V 21/02; F21W
2131/10; F21W 2131/30; A63F 7/02;
A63H 33/40

See application file for complete search history.

(56) **References Cited**

U.S. PATENT DOCUMENTS

D100,939 S *	8/1936	D'Aschbach	D11/121
D290,523 S *	6/1987	Morita	D26/102
D475,155 S *	5/2003	Chen	D26/94
D496,117 S *	9/2004	Willy	D26/108
D624,689 S *	9/2010	Kao	D26/102
D664,888 S *	8/2012	Villiers	D11/131
D685,126 S *	6/2013	Ogg	D26/93
D720,493 S *	12/2014	Salvadori	D26/110

* cited by examiner

Primary Examiner — Brian N. Vinson

(74) *Attorney, Agent, or Firm* — Maier & Maier, PLLC

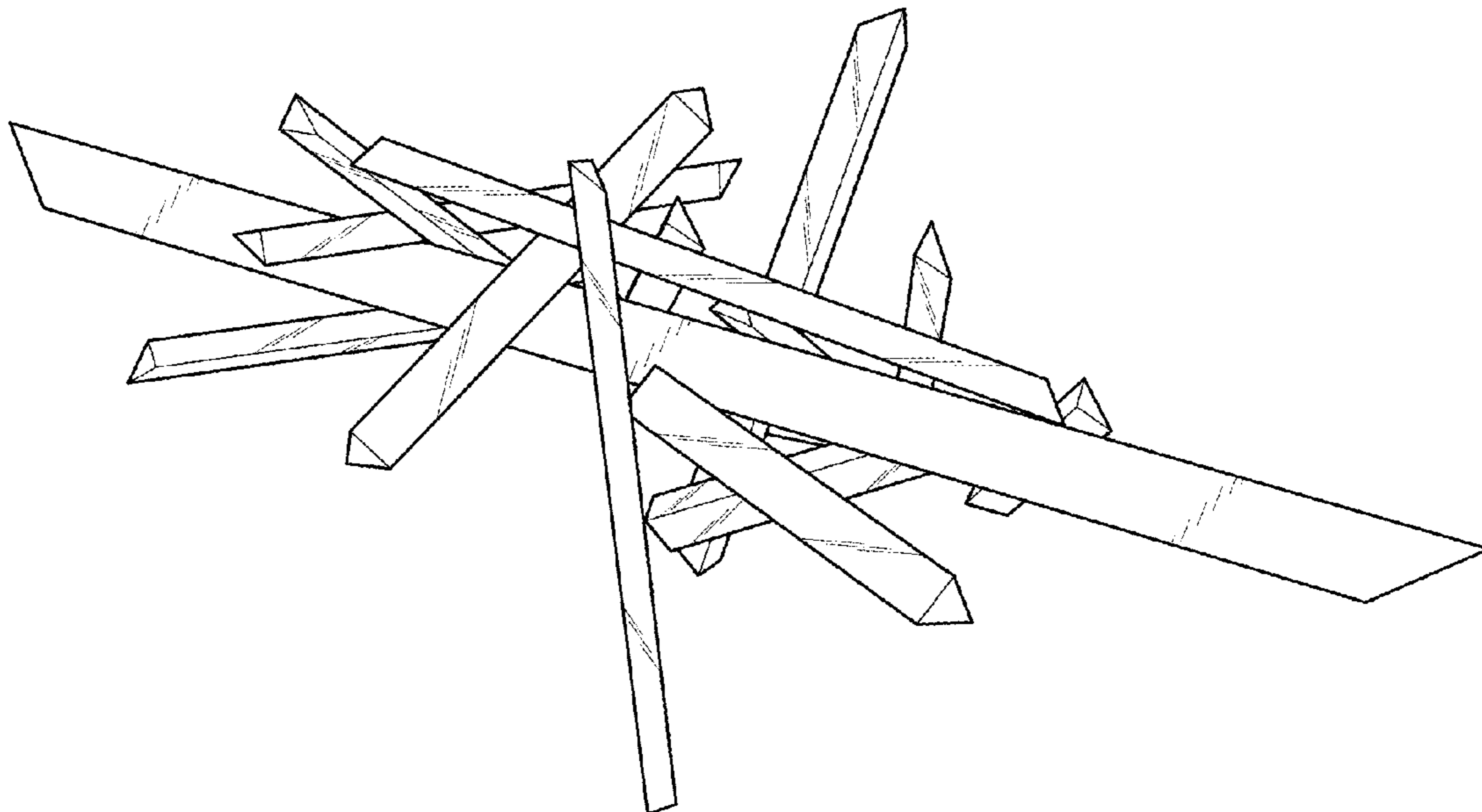
(57) **CLAIM**

The ornamental design for a lamp, as shown and described.

DESCRIPTION

FIG. 1 is a perspective view of a lamp, showing my design;
FIG. 2 is a front view thereof;
FIG. 3 is a rear view thereof;
FIG. 4 is a left side view thereof;
FIG. 5 is a right side view thereof;
FIG. 6 is a top view thereof; and,
FIG. 7 is a bottom view thereof.

1 Claim, 7 Drawing Sheets



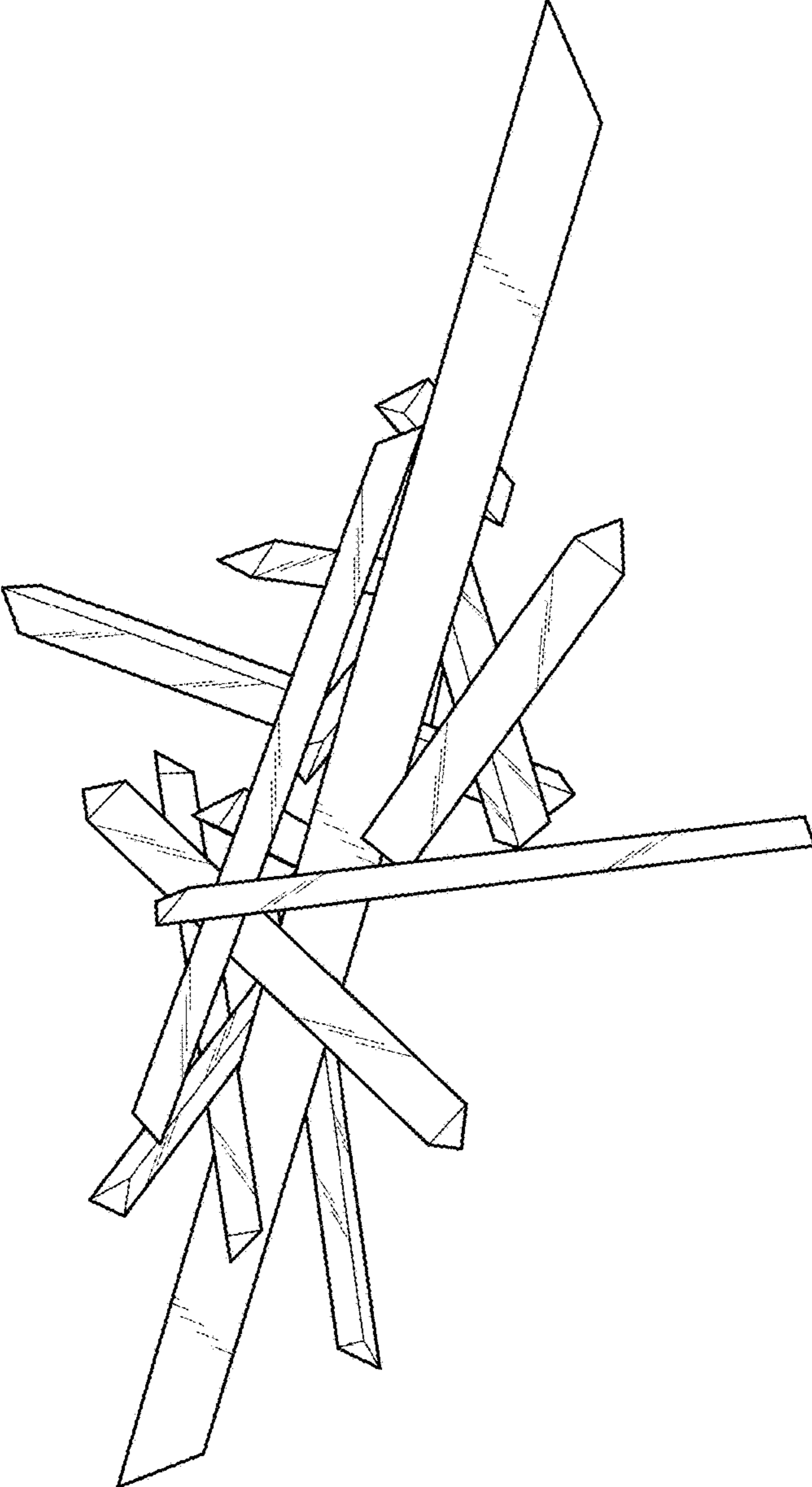


Fig. 1

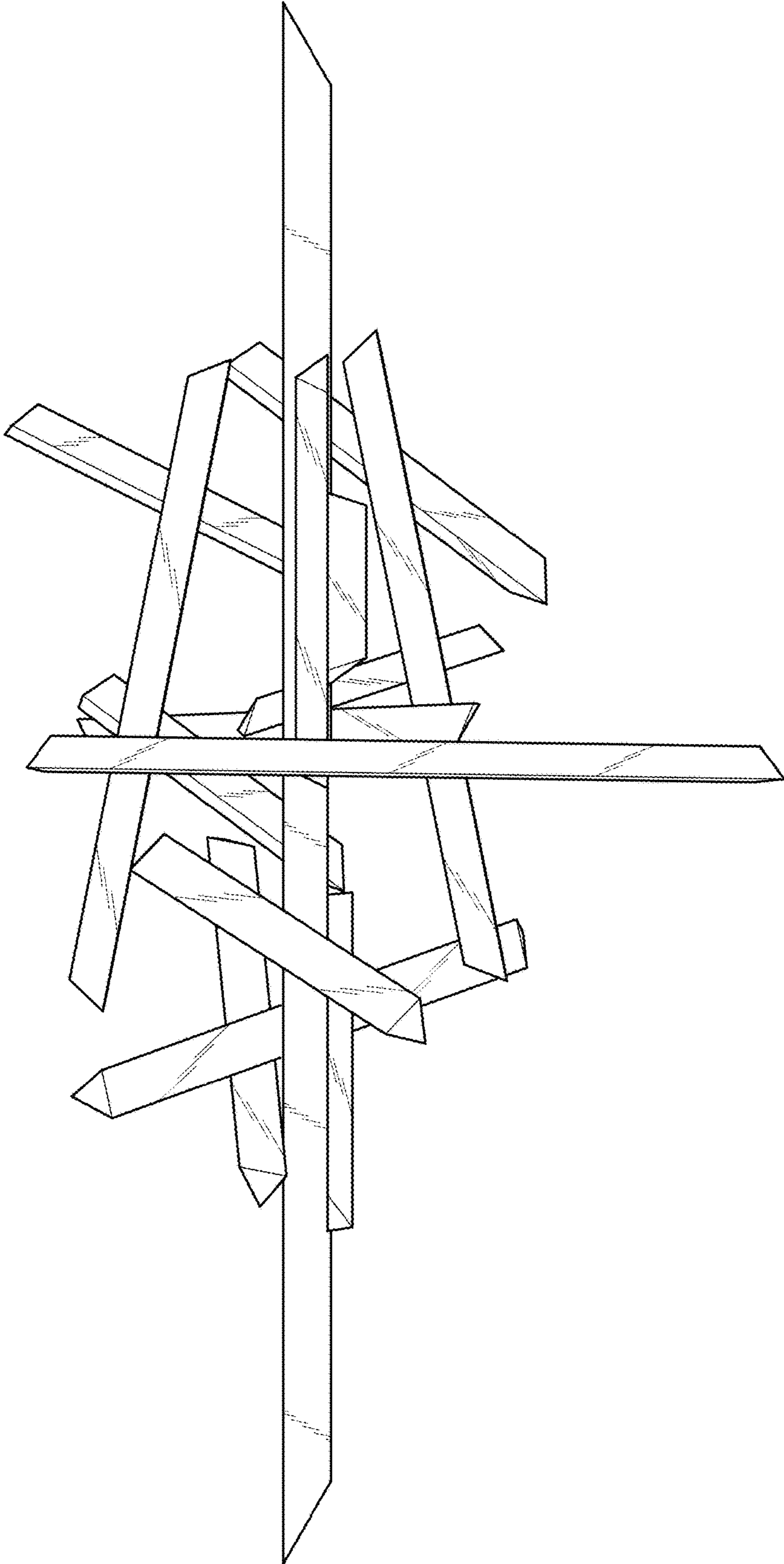


Fig. 2

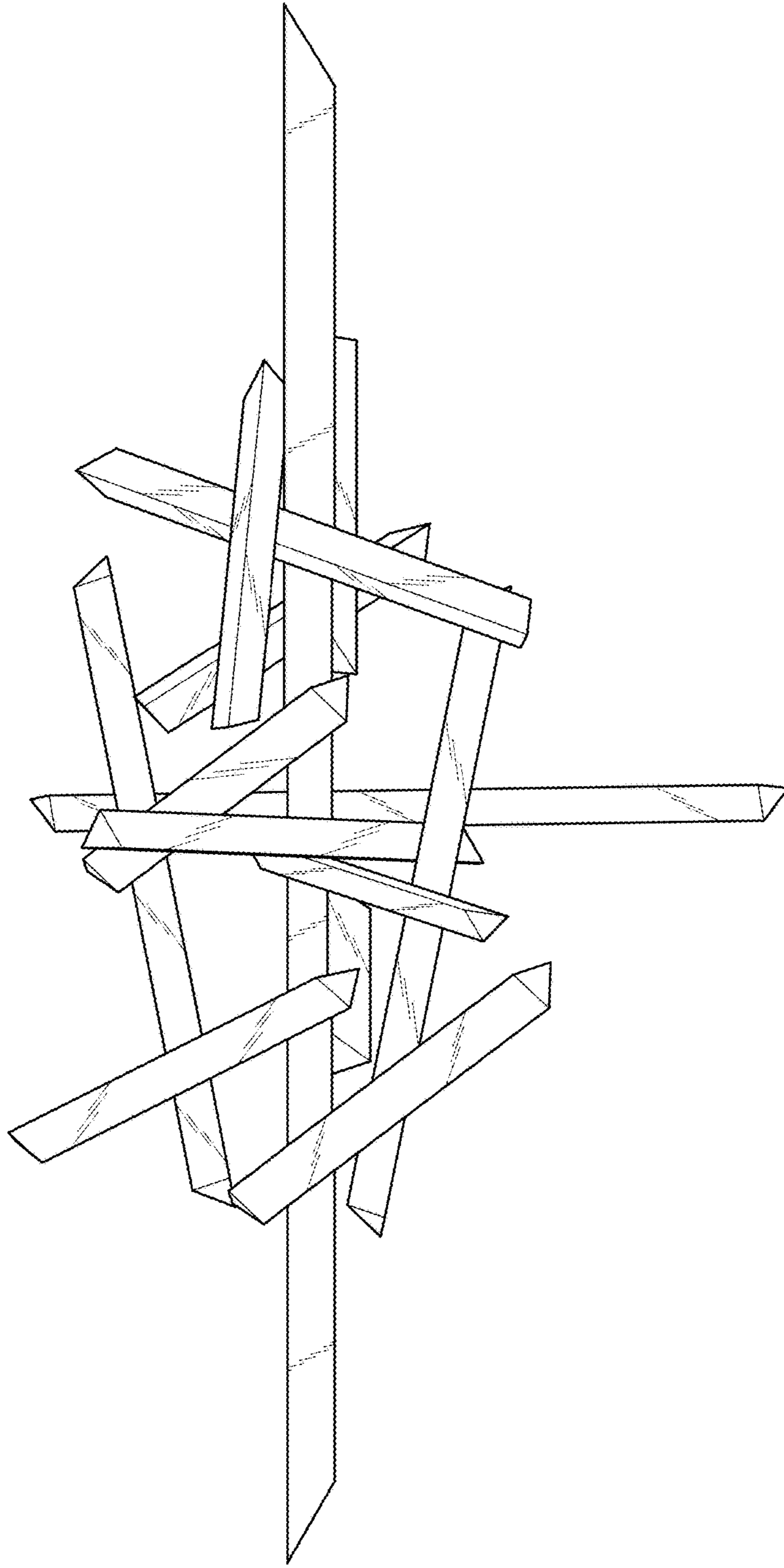


Fig. 3

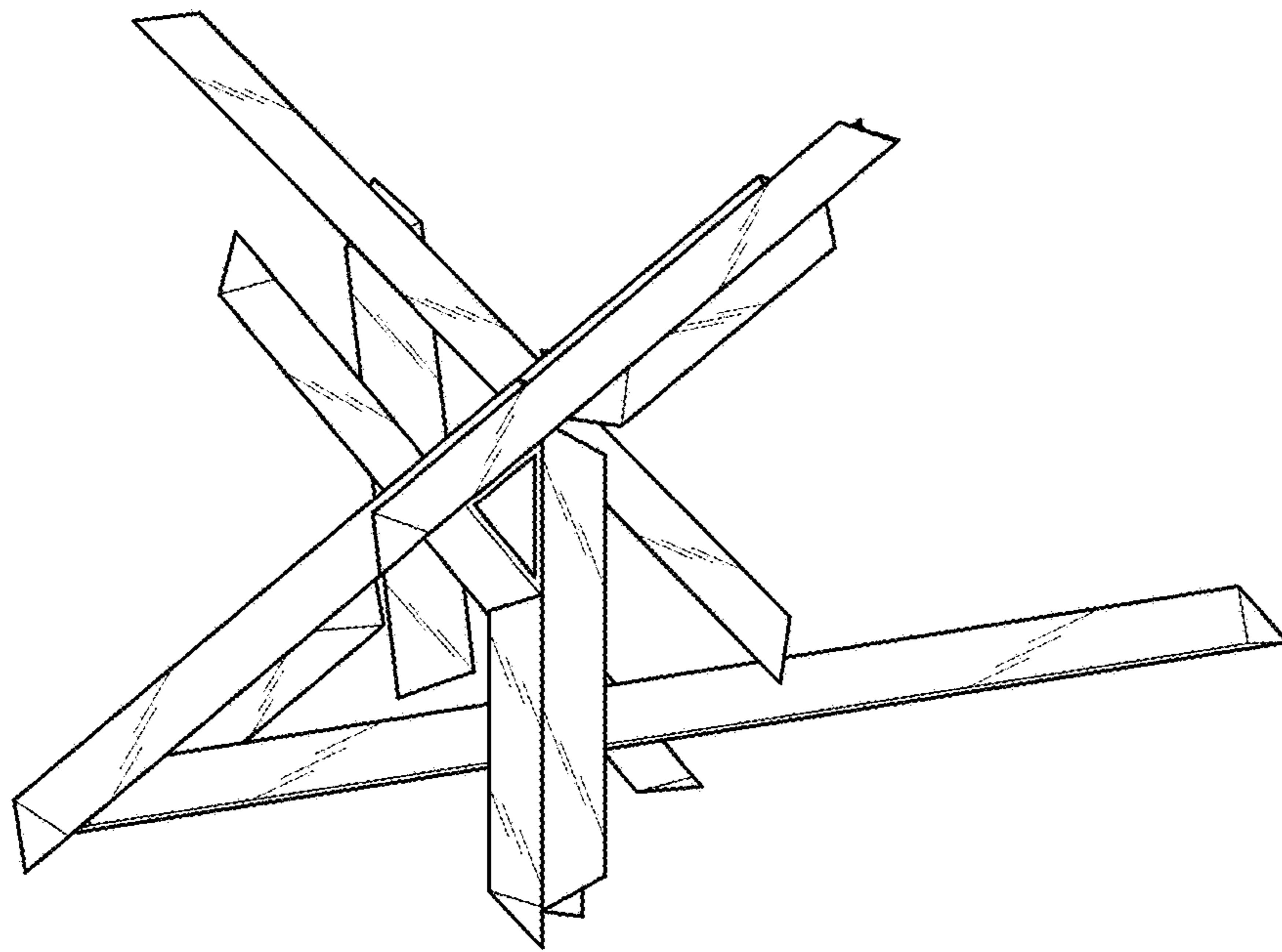


Fig. 4

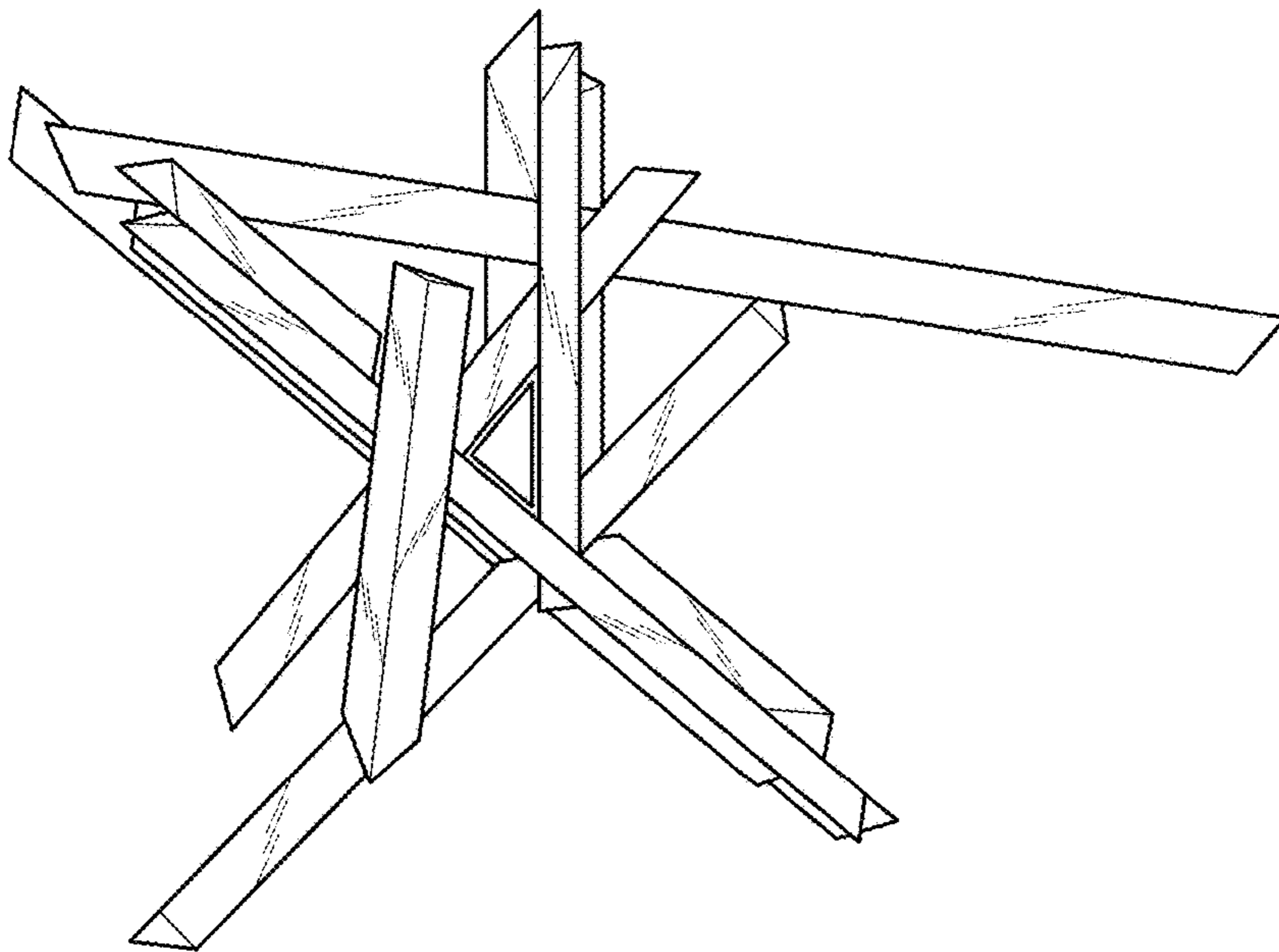


Fig. 5

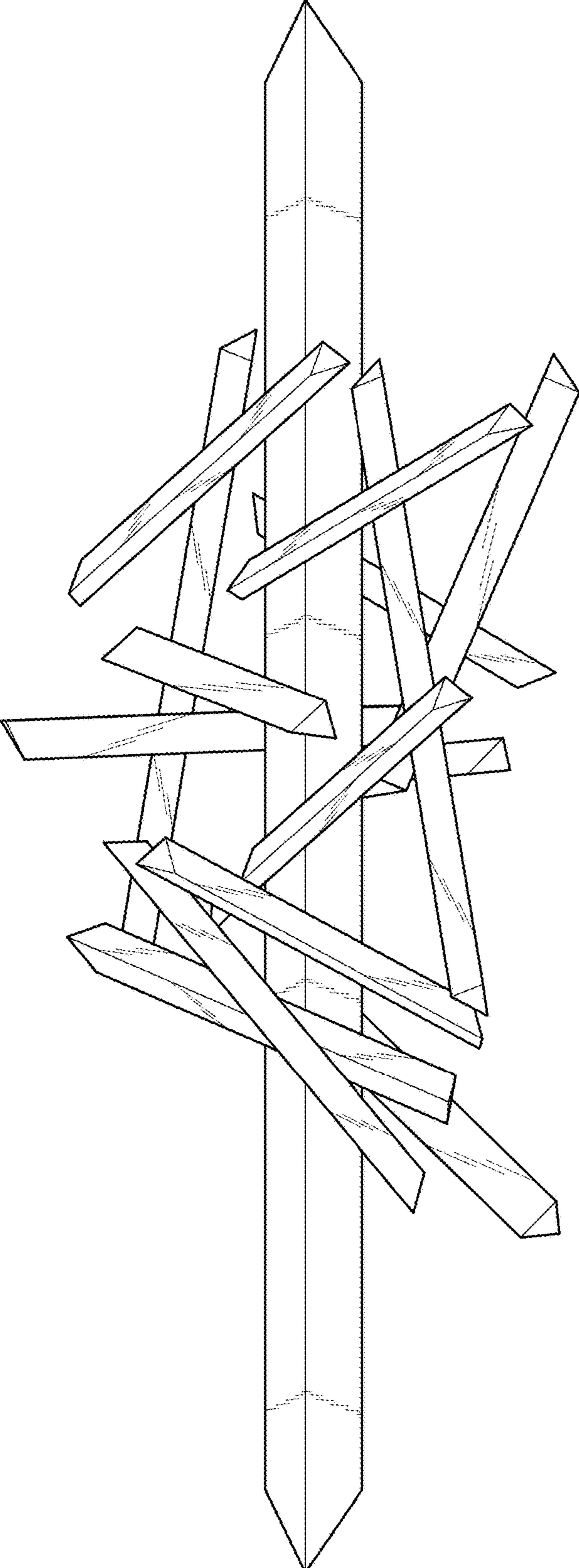


Fig. 6

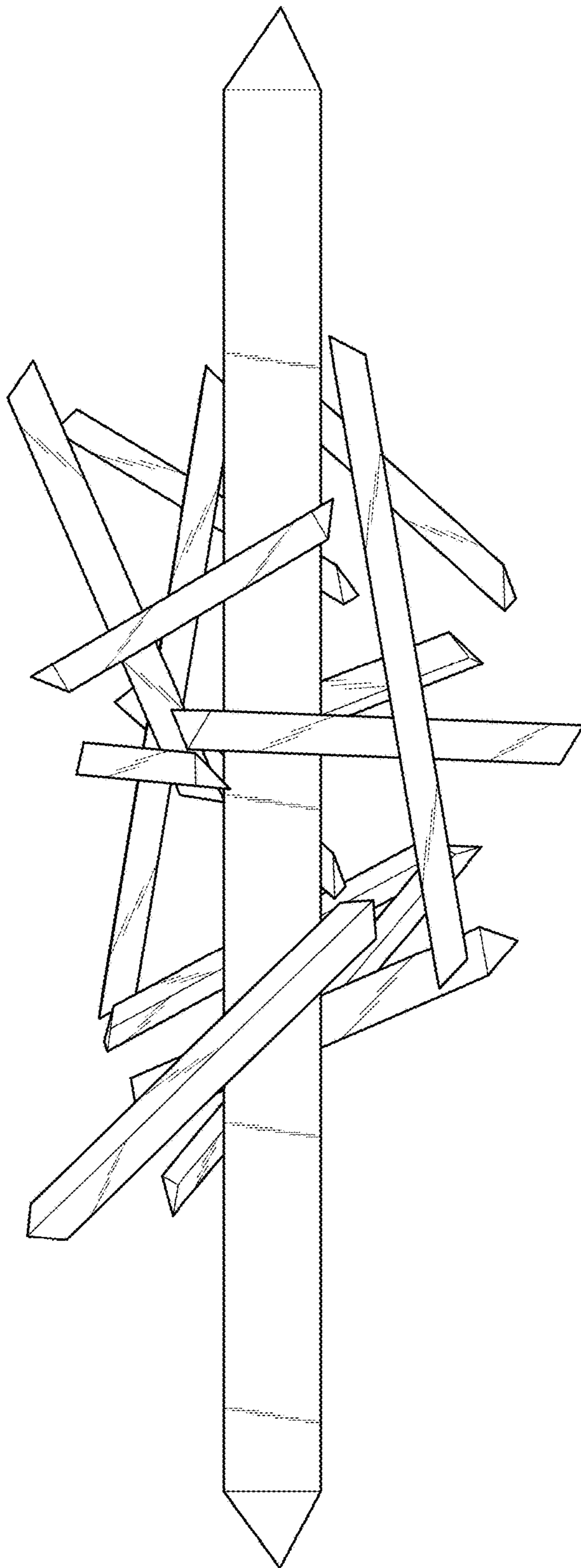


Fig. 7