



US00D818627S

(12) **United States Design Patent**
Santoro et al.

(10) **Patent No.:** **US D818,627 S**
(45) **Date of Patent:** **** May 22, 2018**

(54) **SUSPENDED LUMINAIRE**
(71) Applicant: **Fluxwerx Illumination Inc.**, Surrey (CA)
(72) Inventors: **Scott Santoro**, Delta (CA); **Julien Mainguy**, Vancouver (CA)
(73) Assignee: **Fluxwerx Illumination Inc.**, Surrey (CA)
(**) Term: **15 Years**

D141,068 S * 5/1945 Maurette D26/76
D180,537 S * 6/1957 Stevens D26/76
3,009,054 A * 11/1961 Thomas F21S 8/06
362/223
3,745,325 A * 7/1973 Harvey F21V 7/08
359/359
4,669,033 A * 5/1987 Lee F21S 8/00
362/217.07
D294,067 S * 2/1988 Ambasz D26/76
D480,830 S * 10/2003 Sieczkowski D26/118
D499,834 S * 12/2004 Yu D26/118
D558,379 S * 12/2007 Citterio D26/76
(Continued)

(21) Appl. No.: **29/615,597**
(22) Filed: **Aug. 30, 2017**

OTHER PUBLICATIONS

FOLD by Fluxwerx—online brochure © 2016 found at fluxwerx.com, visited May 16, 2017. (7 pages). (Year: 2016).*

Related U.S. Application Data

(62) Division of application No. 29/552,993, filed on Jan. 27, 2016.
(51) **LOC (11) Cl.** **26-03**
(52) **U.S. Cl.**
USPC **D26/90**; D26/118
(58) **Field of Classification Search**
USPC D26/68, 72, 76, 90, 118
CPC ... F21V 5/008; F21V 5/02; F21V 7/04; F21V 7/041; F21V 7/043; F21V 7/045; F21V 7/046; F21V 7/048; F21V 7/05; F21V 7/06; F21V 7/07; F21V 7/08; F21V 7/09; F21S 8/04; F21S 8/06; F21S 8/061; F21S 8/063; F21S 8/068
See application file for complete search history.

Primary Examiner — Clare E Heflin

(74) *Attorney, Agent, or Firm* — Oyen Wiggs Green & Mutala LLP

(57) **CLAIM**

The ornamental design for a suspended luminaire, as shown and described.

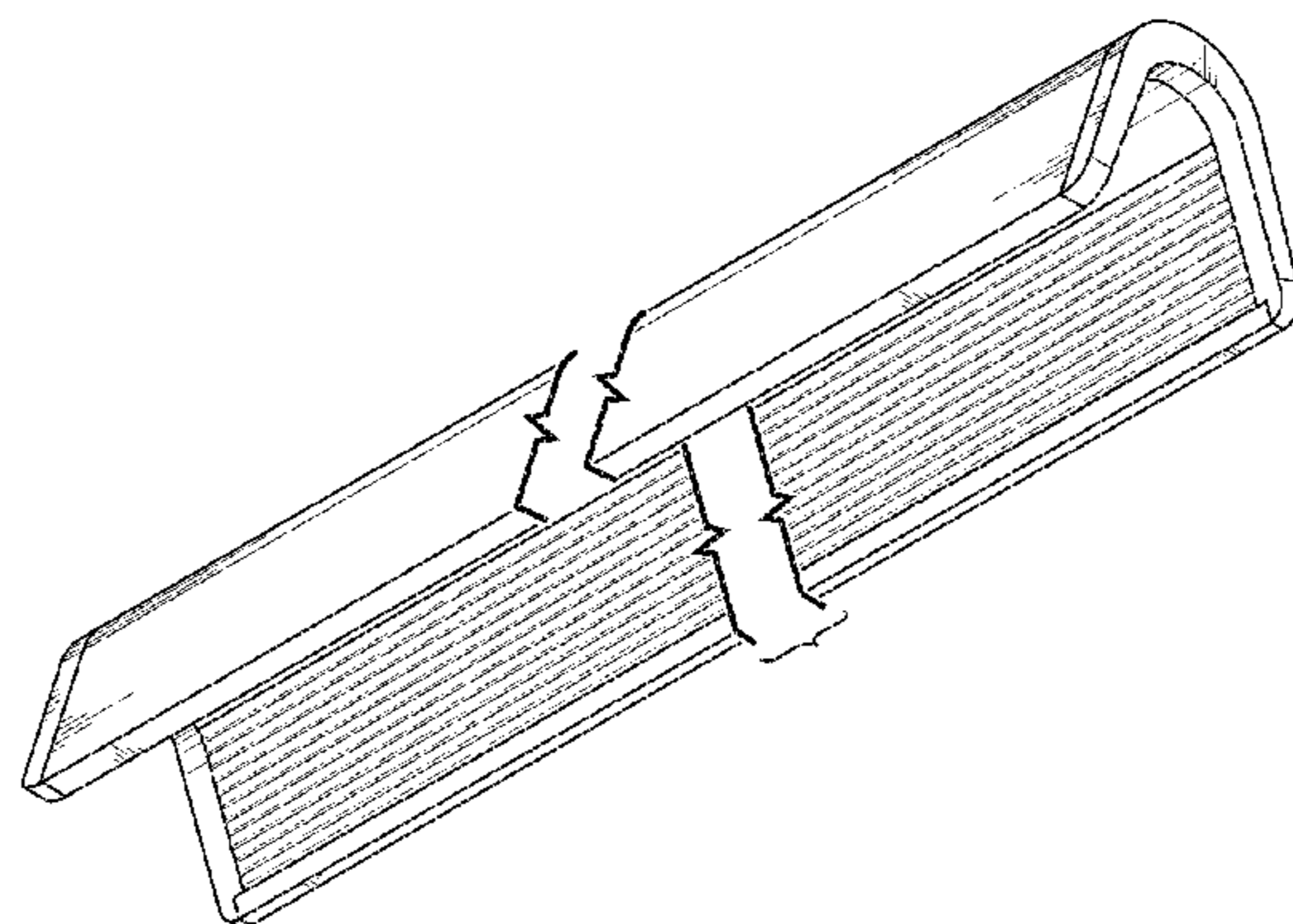
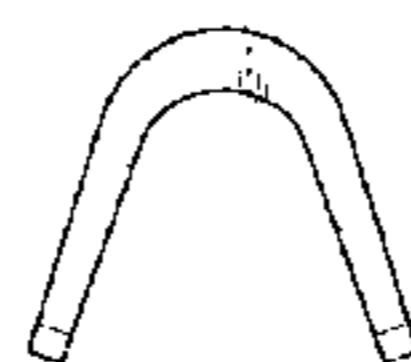
DESCRIPTION

FIG. 1 is a top view of the suspended luminaire showing our new design;
FIG. 2 is a left side view thereof, the right side view being a mirror image;
FIG. 3 is a front view thereof, the rear view being a mirror image;
FIG. 4 is a bottom view thereof; and,
FIG. 5 is a bottom, front, right perspective view thereof, the bottom, front, left perspective view being a mirror image.
The suspended luminaire is shown with symbolic break lines along its width. The appearance of any portion of the article between the break lines forms no part of the claimed design.

(56) **References Cited**
U.S. PATENT DOCUMENTS

D110,198 S * 6/1938 Stewart D26/76
2,269,182 A * 1/1942 Claspy F21V 17/00
362/361
2,277,433 A * 3/1942 Guth F21V 5/02
362/356

1 Claim, 2 Drawing Sheets



(56)

References Cited

U.S. PATENT DOCUMENTS

D605,329	S	*	12/2009	Watt	D26/118
D617,935	S	*	6/2010	Miletich	D26/76
D641,910	S	*	7/2011	Kong	D26/76
D646,426	S	*	10/2011	Wolk	D26/85
D654,208	S	*	2/2012	Marquardt	D26/85
D664,282	S	*	7/2012	Santoro	D26/76
D695,445	S	*	12/2013	Panchisin	D26/118
D731,700	S	*	6/2015	Santoro	D26/118
D738,563	S	*	9/2015	Martins	D26/118
D740,479	S	*	10/2015	Beno	D26/118
D774,682	S	*	12/2016	Chen	D26/85
2005/0157498	A1	*	7/2005	Dicken	E04B 9/32 362/277
2007/0194874	A1	*	8/2007	Bowman	H01F 27/02 336/120
2016/0091169	A1	*	3/2016	Sun	F21V 17/104 362/346

* cited by examiner

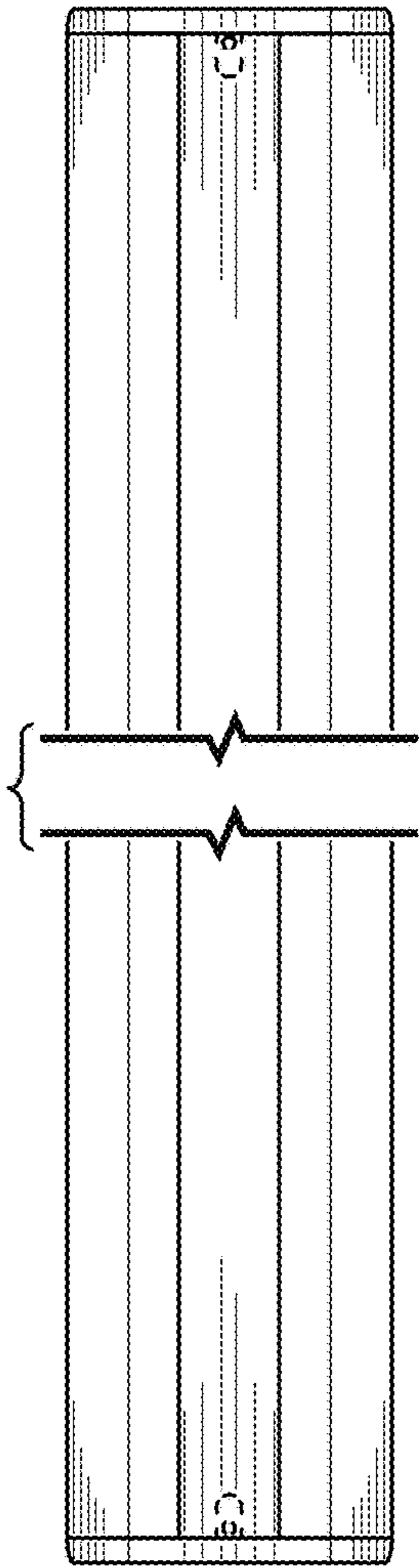


Fig. 1

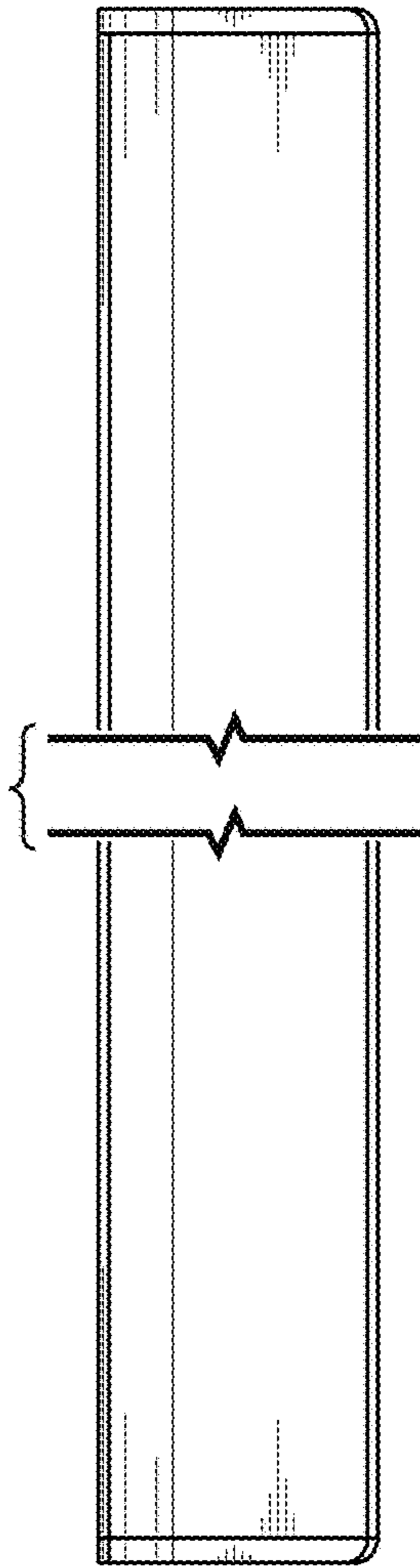


Fig. 2

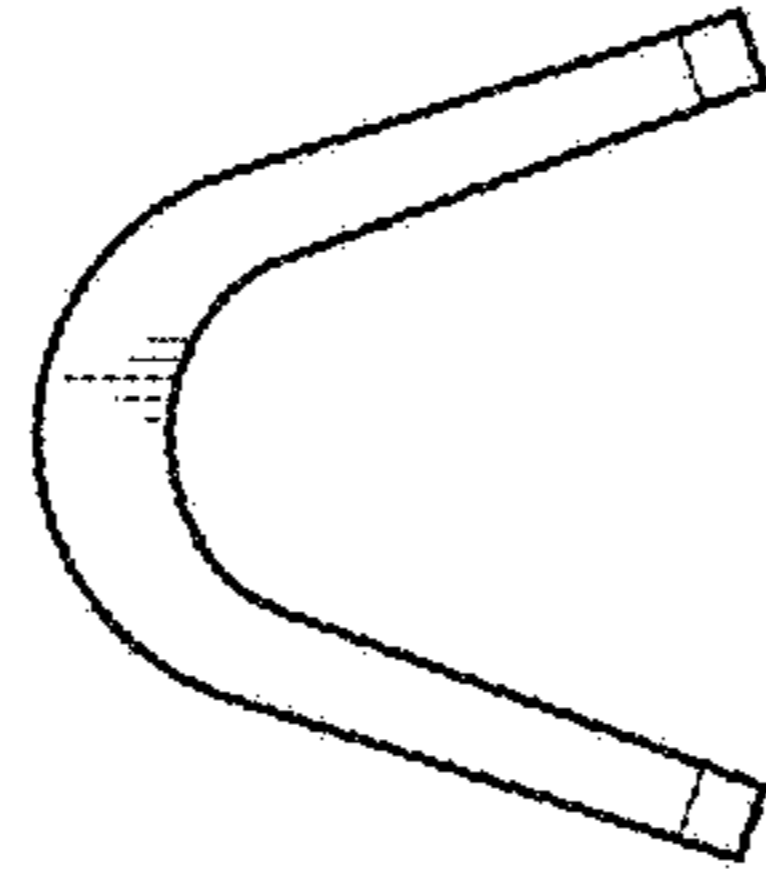


Fig. 3

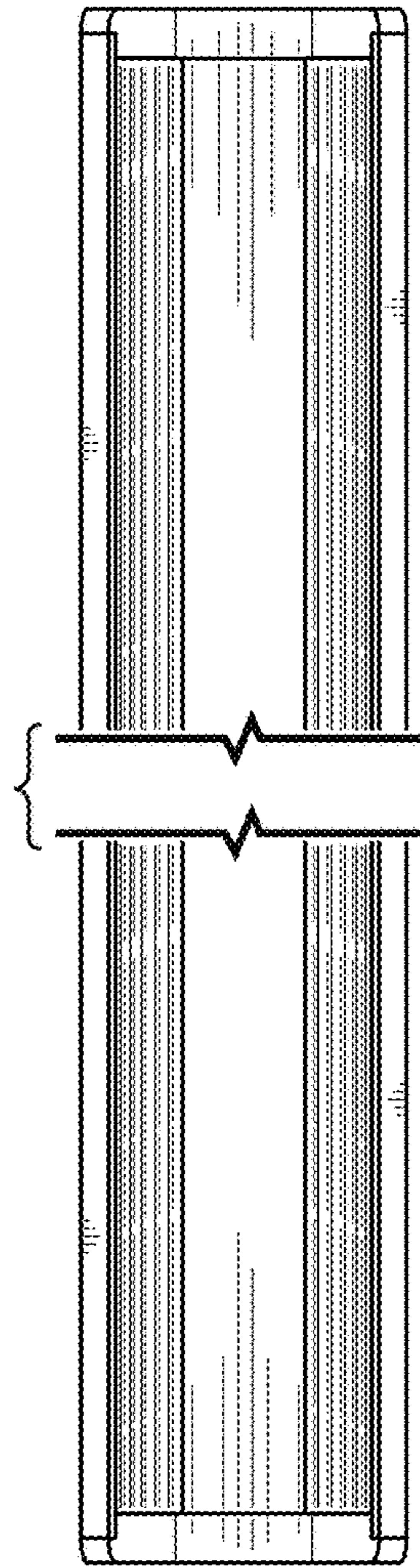


Fig. 4

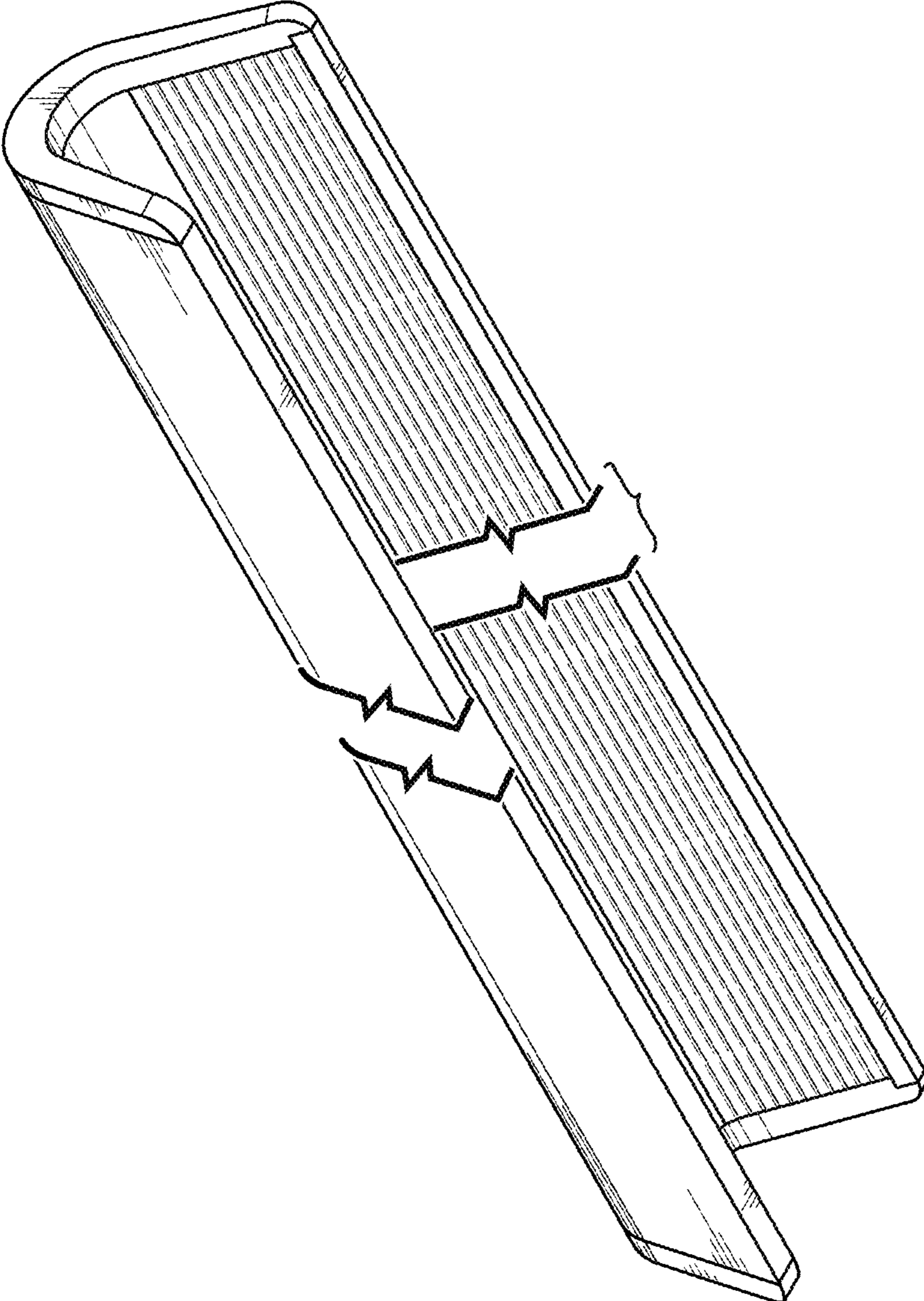


Fig. 5