



US00D818626S

(12) **United States Design Patent**
Park et al.

(10) **Patent No.:** **US D818,626 S**

(45) **Date of Patent:** **** May 22, 2018**

(54) **FLOOD LIGHT**

(71) Applicant: **SAMJIN LND Co., Ltd**, Hwaseong-si,
Gyeonggi-Do (KR)

(72) Inventors: **Geun-Kyo Park**, Gwangmyeong-si
(KR); **Jong-Ho Kim**, Osan-si (KR)

(73) Assignee: **SAMJIN LND CO., LTD**,
Hwaseong-si, Gyeonggi-Do (KR)

(**) Term: **15 Years**

(21) Appl. No.: **29/584,797**

(22) Filed: **Nov. 17, 2016**

(51) **LOC (11) Cl.** **26-04**

(52) **U.S. Cl.**
USPC **D26/76**

(58) **Field of Classification Search**
USPC D26/76, 78, 79, 80, 81, 82, 83, 85, 86,
D26/88, 90, 113, 118, 119, 120, 121, 122,
D26/138, 139, 140, 141, 142
CPC F21S 2/00; F21S 4/00; F21S 4/003; F21S
4/005; F21S 4/006; F21S 4/007; F21S
4/008; F21S 6/00; F21S 8/00; F21S
8/024; F21S 8/026; F21S 8/031; F21S
8/033; F21S 8/035-8/037; F21S 8/04;
F21S 8/043; F21S 8/063

See application file for complete search history.

(56) **References Cited**

U.S. PATENT DOCUMENTS

D257,894 S *	1/1981	DiBernardo	D26/75
D306,773 S *	3/1990	Roulstone	D26/78
D348,947 S *	7/1994	Holcomb	D26/76
D550,617 S *	9/2007	Wang	D13/101
D569,027 S *	5/2008	Hakamada	D26/76
D662,245 S *	6/2012	Steffy	D26/75
D671,254 S *	11/2012	Miyatake	D26/75
D675,365 S *	1/2013	Beghelli	D26/78

D693,514 S *	11/2013	Mueller	D26/76
D731,103 S *	6/2015	Wilke	D26/72
D744,690 S *	12/2015	Boyer	D26/76
2006/0146531 A1 *	7/2006	Reo	F21V 5/008 362/244
2013/0286637 A1 *	10/2013	Lay	F21K 9/17 362/147

* cited by examiner

Primary Examiner — George D. Kirschbaum

Assistant Examiner — Natasha Vujcic

(74) *Attorney, Agent, or Firm* — Lucas & Mercanti, LLP

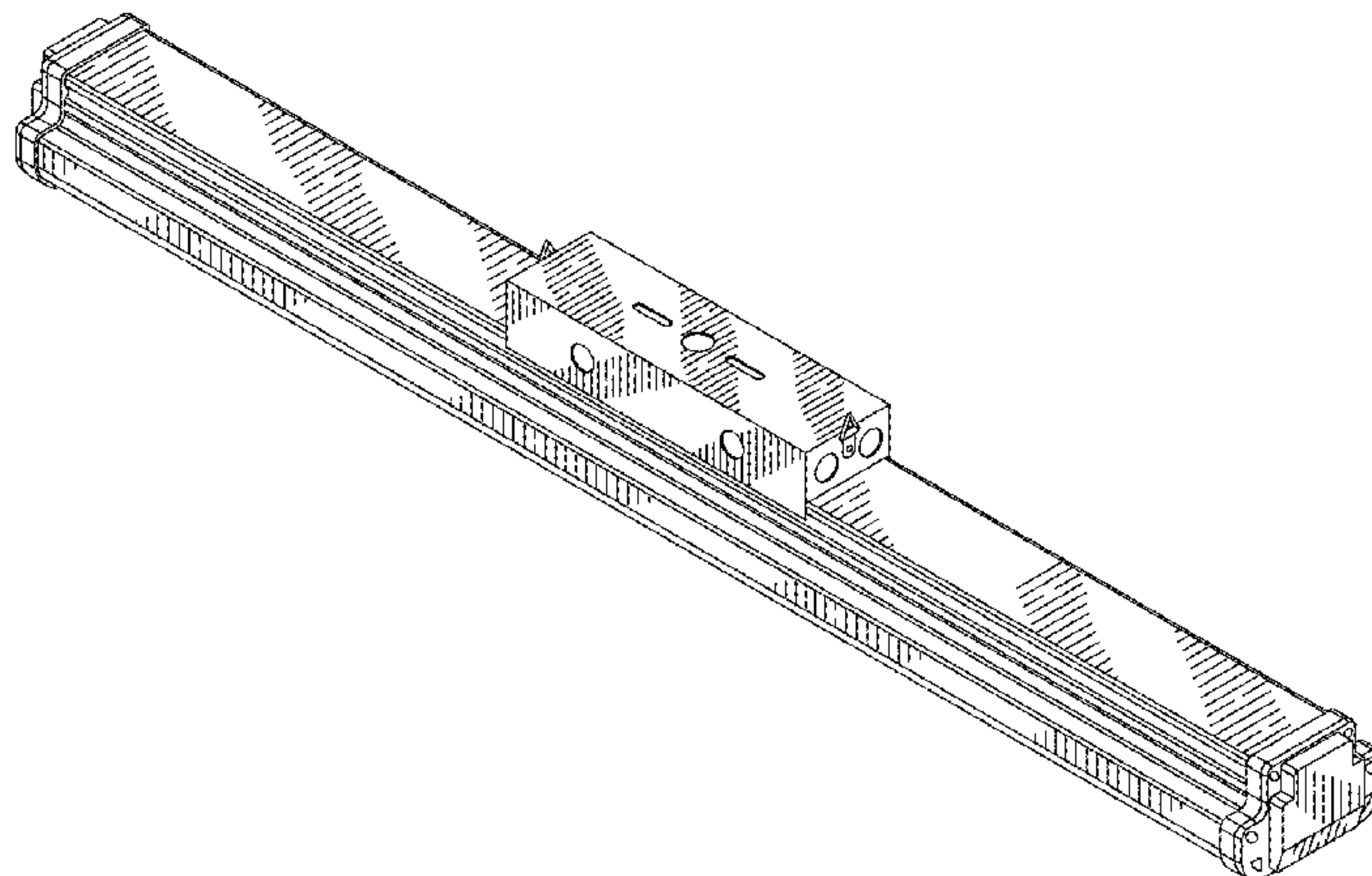
(57) **CLAIM**

The ornamental design for a flood light, as shown and described.

DESCRIPTION

FIG. 1 is a top perspective view of a flood light showing our new design;
 FIG. 2 is a front view of a flood light showing our new design;
 FIG. 3 is a rear view of a flood light showing our new design;
 FIG. 4 is a left side view of a flood light showing our new design;
 FIG. 5 is a right side view of a flood light showing our new design;
 FIG. 6 is a top plan view of a flood light showing our new design;
 FIG. 7 is a bottom plan view of a flood light showing our new design;
 FIG. 8 is a top perspective view of two flood light of the new design connected through a connection member;
 FIG. 9 is a top perspective view of three flood light of the new design connected through a connection member; and,
 FIG. 10 is a top perspective view of five flood light of the new design connected through a connection member.

1 Claim, 10 Drawing Sheets



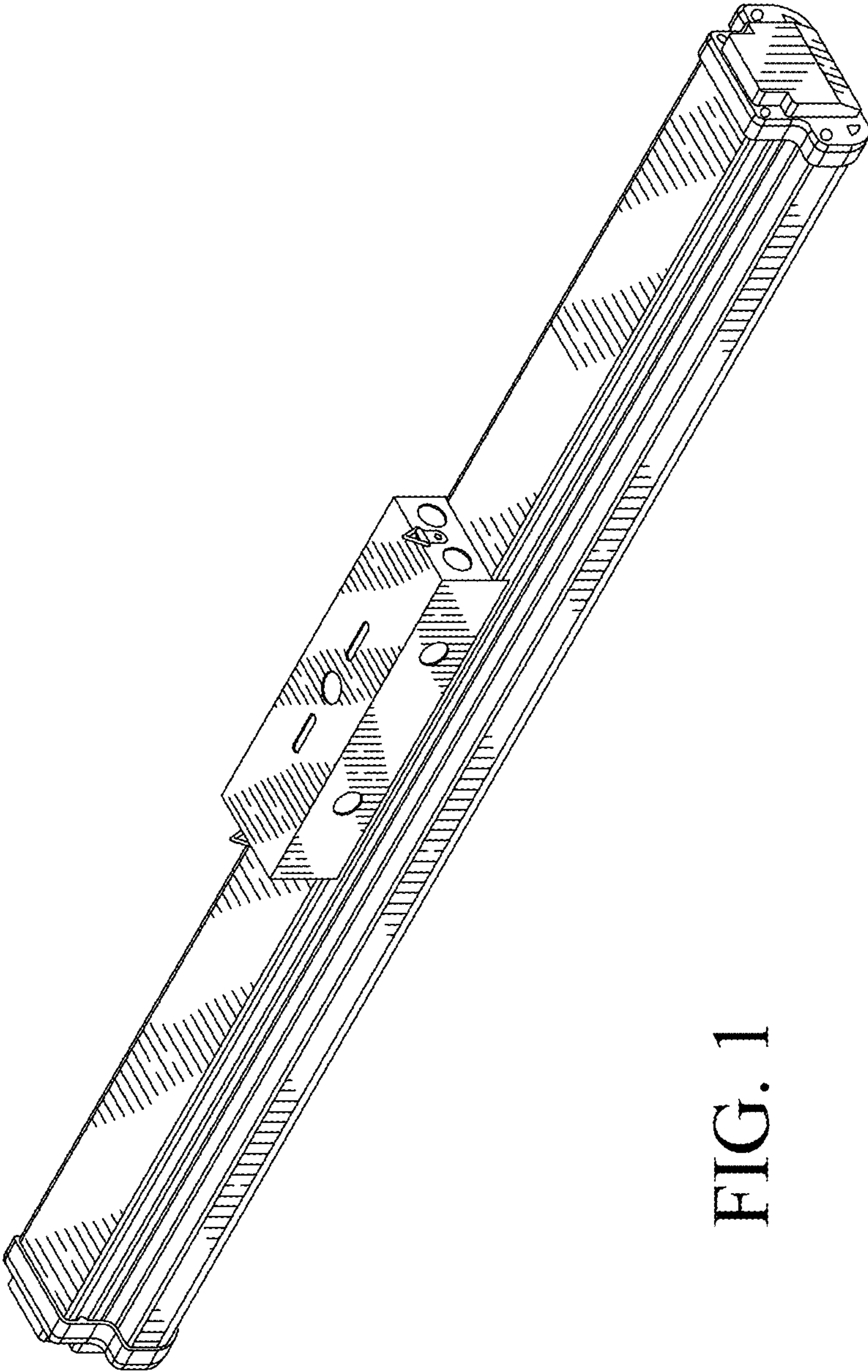


FIG. 1

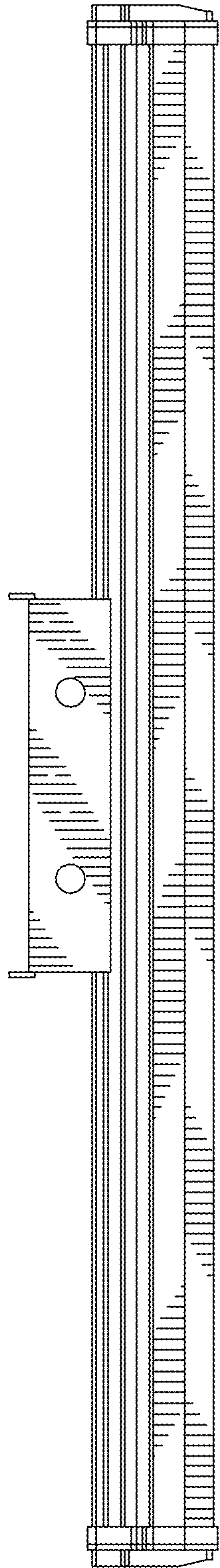


FIG. 2

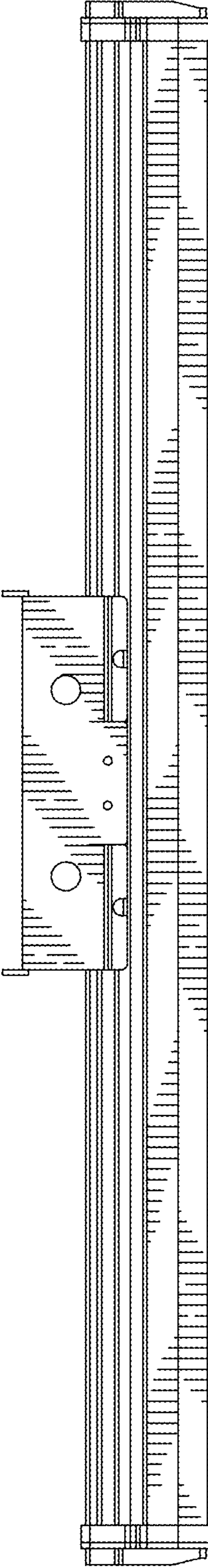


FIG. 3

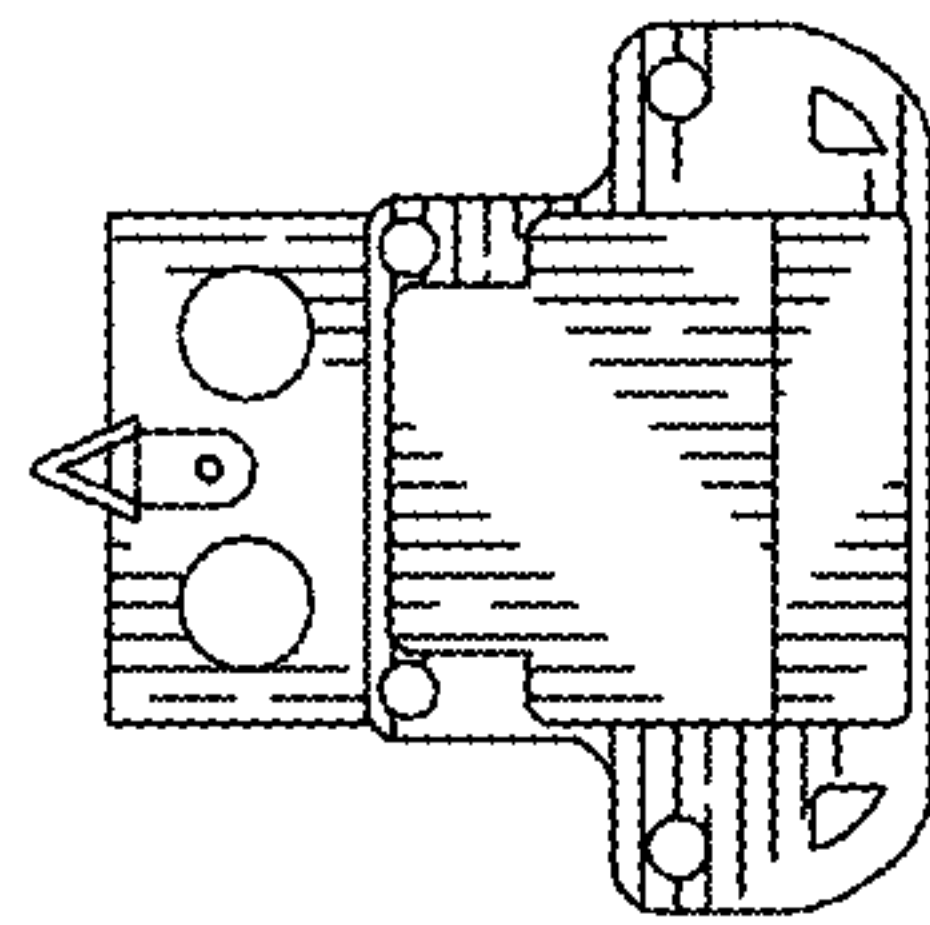


FIG. 4

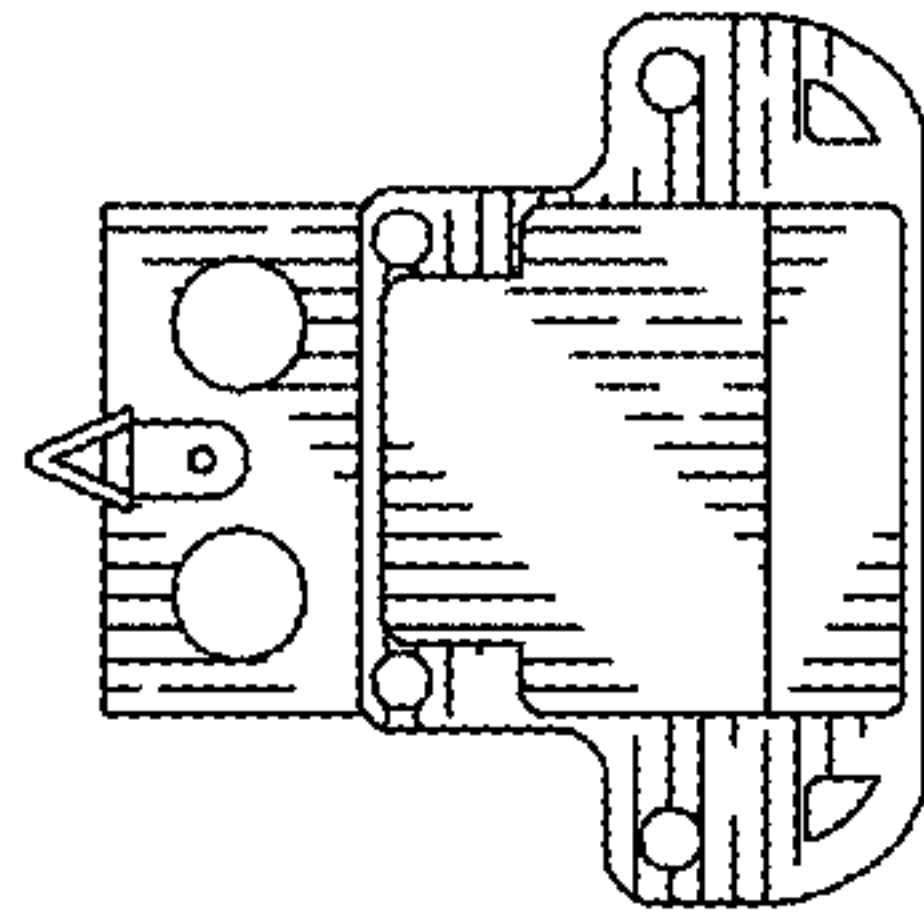


FIG. 5

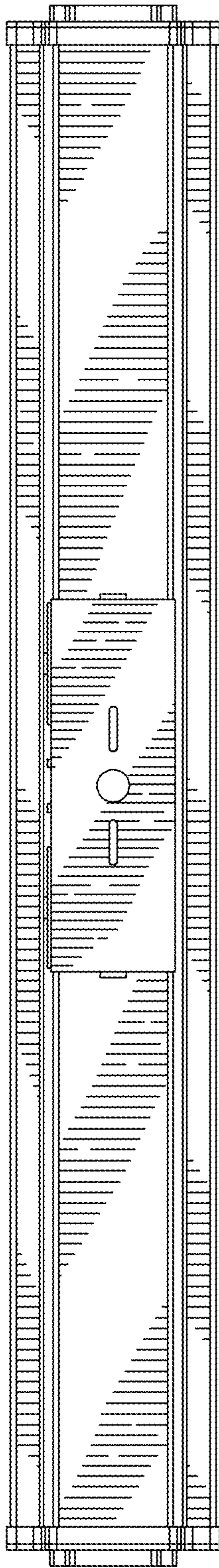


FIG. 6

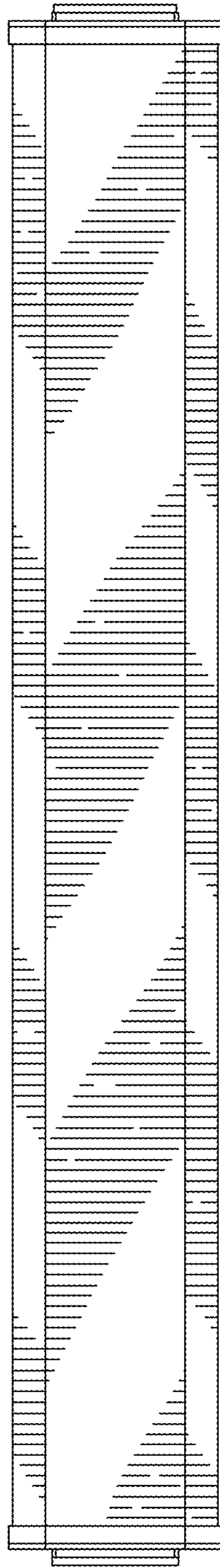


FIG. 7

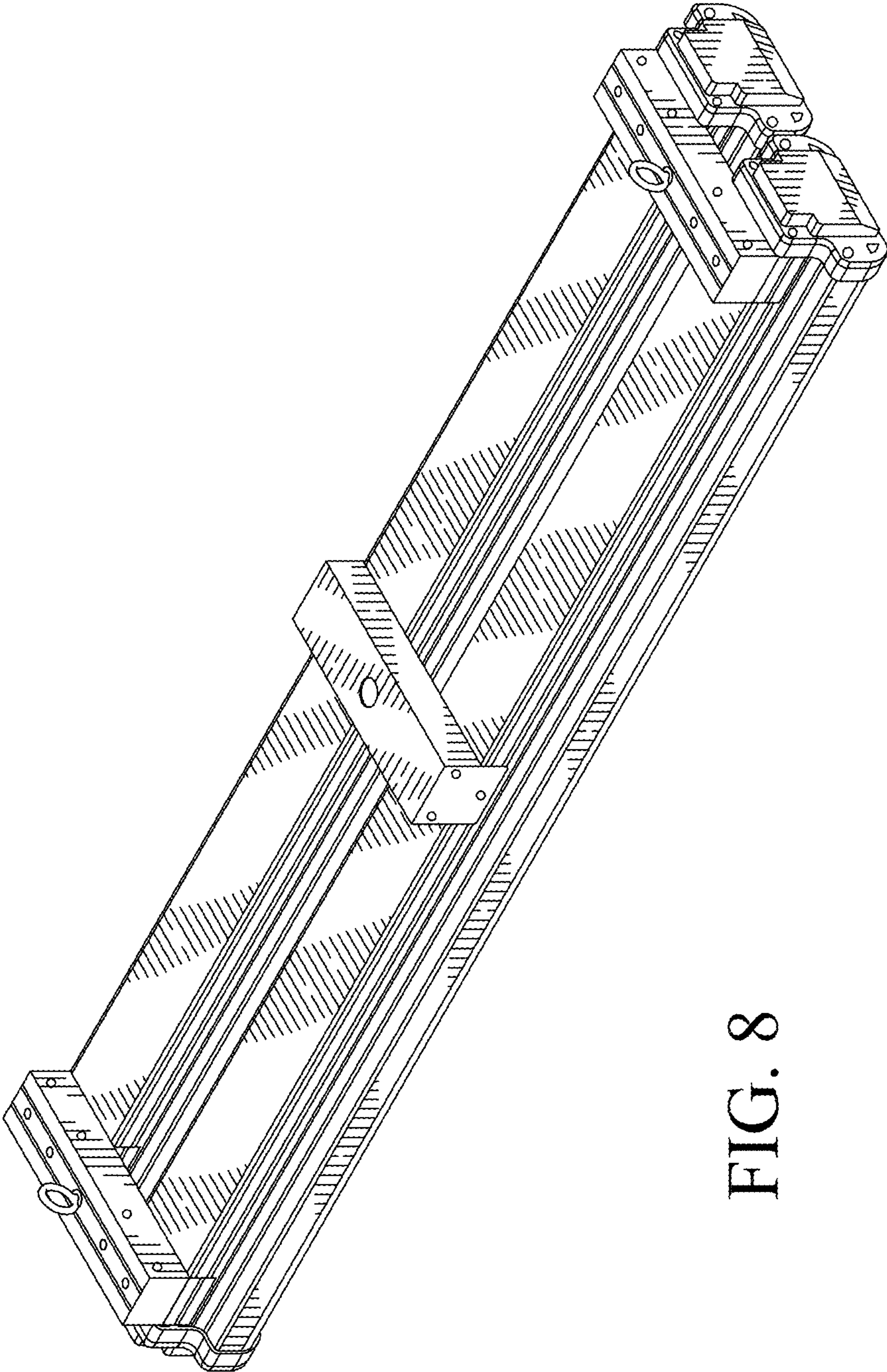


FIG. 8

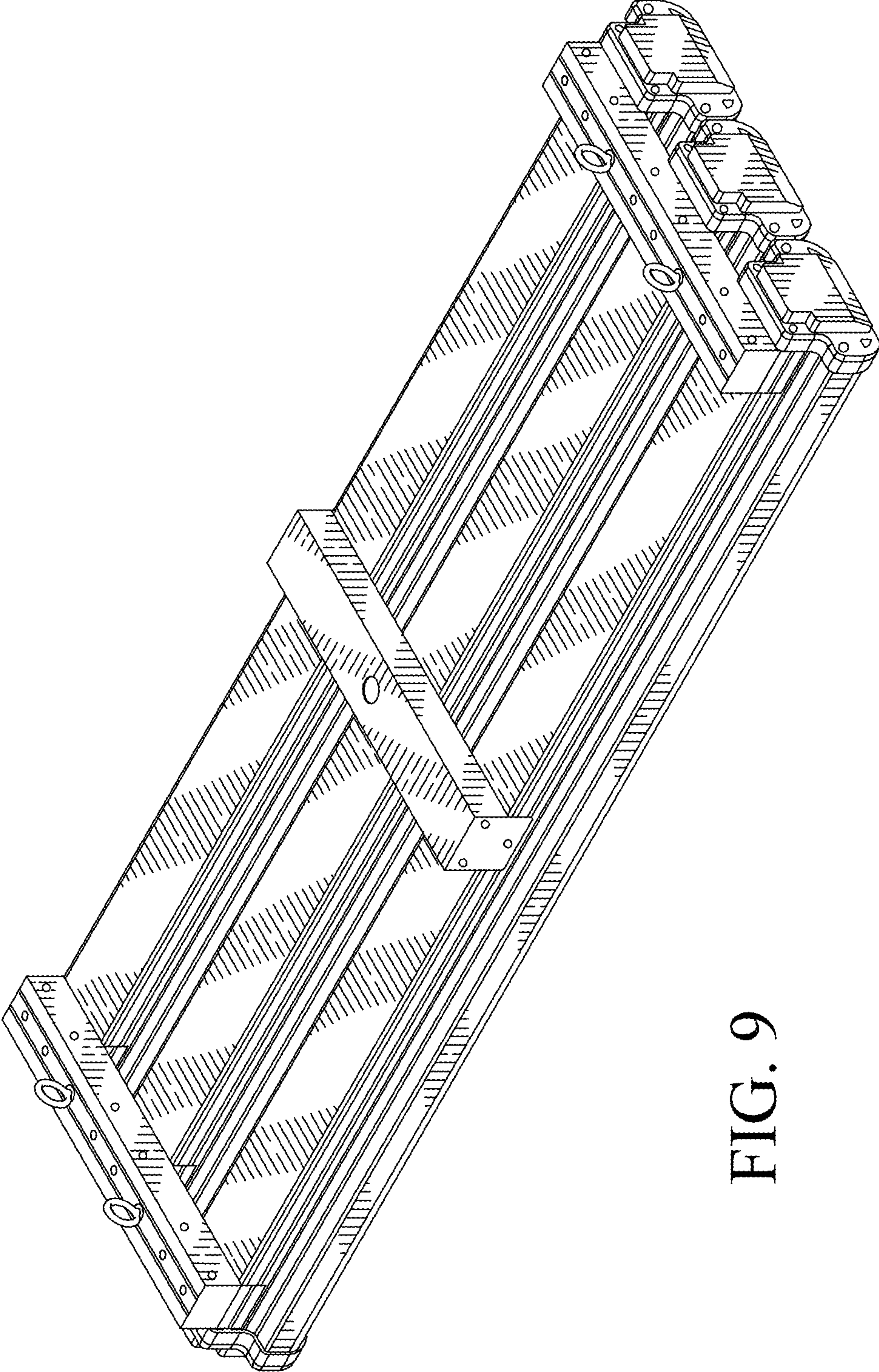


FIG. 9

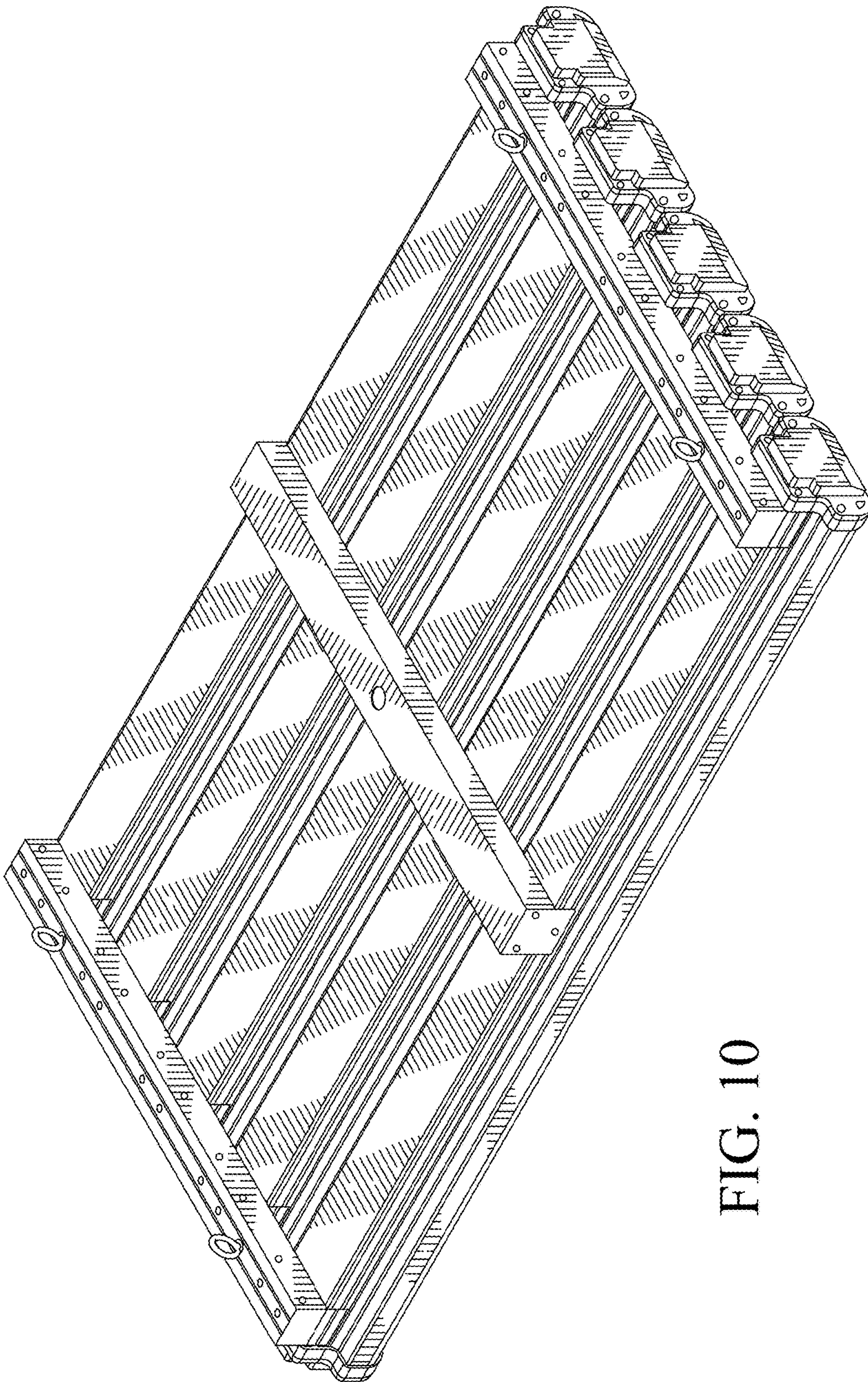


FIG. 10