



US00D818622S

(12) **United States Design Patent**
Kunzendorf

(10) **Patent No.:** **US D818,622 S**
(45) **Date of Patent:** **** May 22, 2018**

- (54) **FLASHLIGHT**
- (71) Applicant: **LED Lenser Corp. Ltd., Yangjiang (CN)**
- (72) Inventor: **Andre Kunzendorf, Wuppertal (DE)**
- (73) Assignee: **LED Lenser Corp. Ltd., Yangjiang (CN)**
- (**) Term: **15 Years**
- (21) Appl. No.: **29/569,269**
- (22) Filed: **Jun. 24, 2016**
- (51) **LOC (11) Cl.** **26-02**
- (52) **U.S. Cl.**
USPC **D26/49**
- (58) **Field of Classification Search**
USPC D26/37, 36, 46, 48, 49, 41; 359/399, 359/406; D16/217, 317, 134, 219; D3/209; 362/171, 202, 412
CPC F12V 15/012; F12V 15/013
See application file for complete search history.

(56) **References Cited**

U.S. PATENT DOCUMENTS

D170,481	S	*	9/1953	Schnur	D26/49
D175,940	S	*	11/1955	Graubner	D26/49
D176,958	S	*	2/1956	Klotz	D26/49
D218,311	S	*	8/1970	Foster	D24/139
D268,442	S	*	3/1983	Darmon	D26/24
4,495,550	A	*	1/1985	Visciano	F21L 4/06 362/186
D280,028	S	*	8/1985	Petterson	D26/49
D308,253	S	*	5/1990	Battles	D26/38
D315,609	S	*	3/1991	Garrity	D26/49
6,296,367	B1	*	10/2001	Parsons	F21L 4/085 320/115
D465,045	S	*	10/2002	Yamamoto	D26/49
D490,922	S	*	6/2004	Chen	D26/37

D503,007	S	*	3/2005	Duscha	D26/49
D507,366	S	*	7/2005	Opolka	D26/37
D507,367	S	*	7/2005	Chen	D26/37
D510,450	S	*	10/2005	Chen	D26/37
D523,576	S	*	6/2006	Chen	D26/38
D527,126	S	*	8/2006	Opolka	D26/37
D527,481	S	*	8/2006	Opolka	D26/49
D528,690	S	*	9/2006	Tonhofer	D26/37
D532,543	S	*	11/2006	Julius	D26/49
D533,674	S	*	12/2006	Julius	D26/49
D535,417	S	*	1/2007	Martin	D26/37
7,220,013	B2	*	5/2007	Sharrah	F21L 4/085 320/114
D560,012	S	*	1/2008	Liu	D26/49
D578,236	S	*	10/2008	Dalton	D26/49
D601,287	S	*	9/2009	Caniparoli	D26/49
D629,941	S	*	12/2010	Robinson	D26/49
7,845,820	B2	*	12/2010	Bertken	F21L 4/02 362/120

(Continued)

Primary Examiner — Lakiya G Rogers
Assistant Examiner — Altaira J Swangin
(74) *Attorney, Agent, or Firm* — Alston & Bird LLP

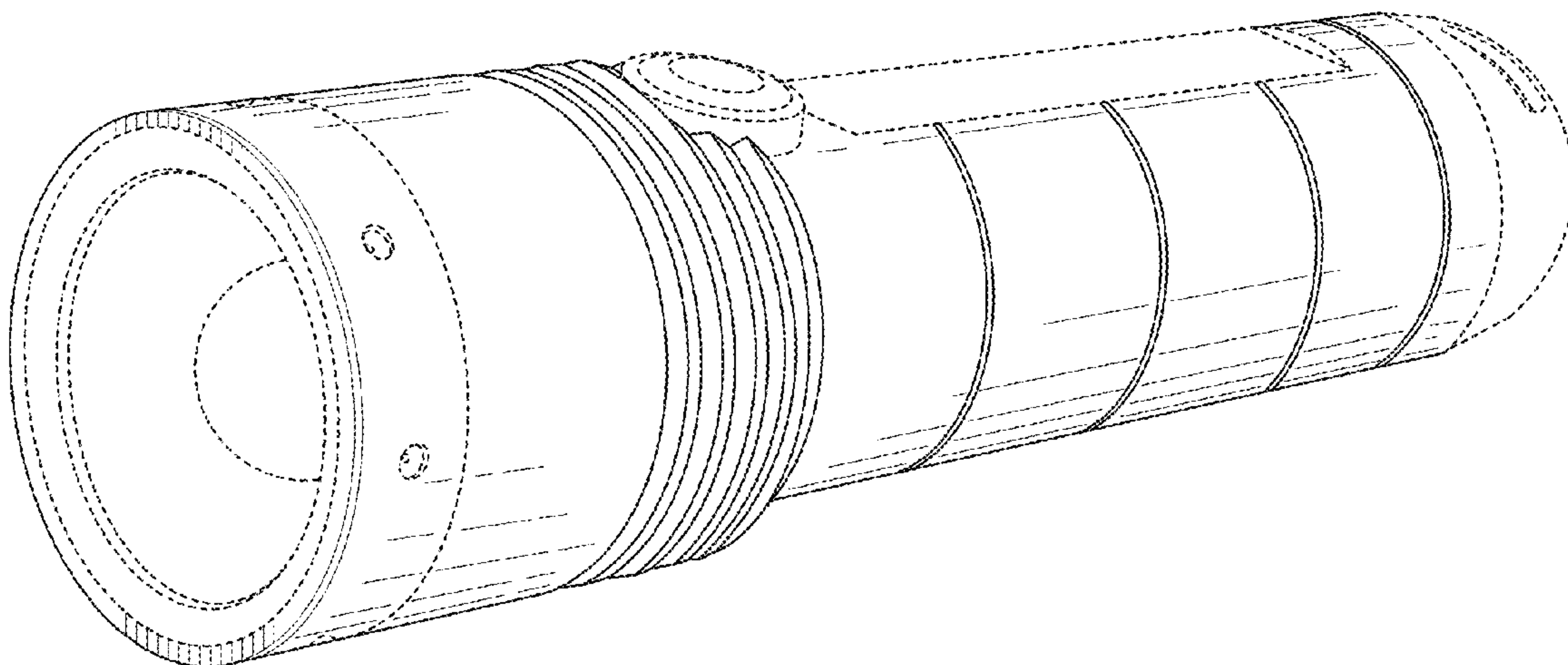
(57) **CLAIM**

The ornamental design for a flashlight, as shown and described.

DESCRIPTION

FIG. 1 is a perspective view of a flashlight according to my new design;
FIG. 2 is a front elevation view thereof;
FIG. 3 is a back elevation view thereof;
FIG. 4 is a right side elevation view thereof;
FIG. 5 is a left side elevation view thereof;
FIG. 6 is a top elevation view thereof; and,
FIG. 7 is a bottom plan view thereof.
The dash-dash broken lines showing in the views illustrate portions of the flashlight that form no part of the claimed design.

1 Claim, 7 Drawing Sheets



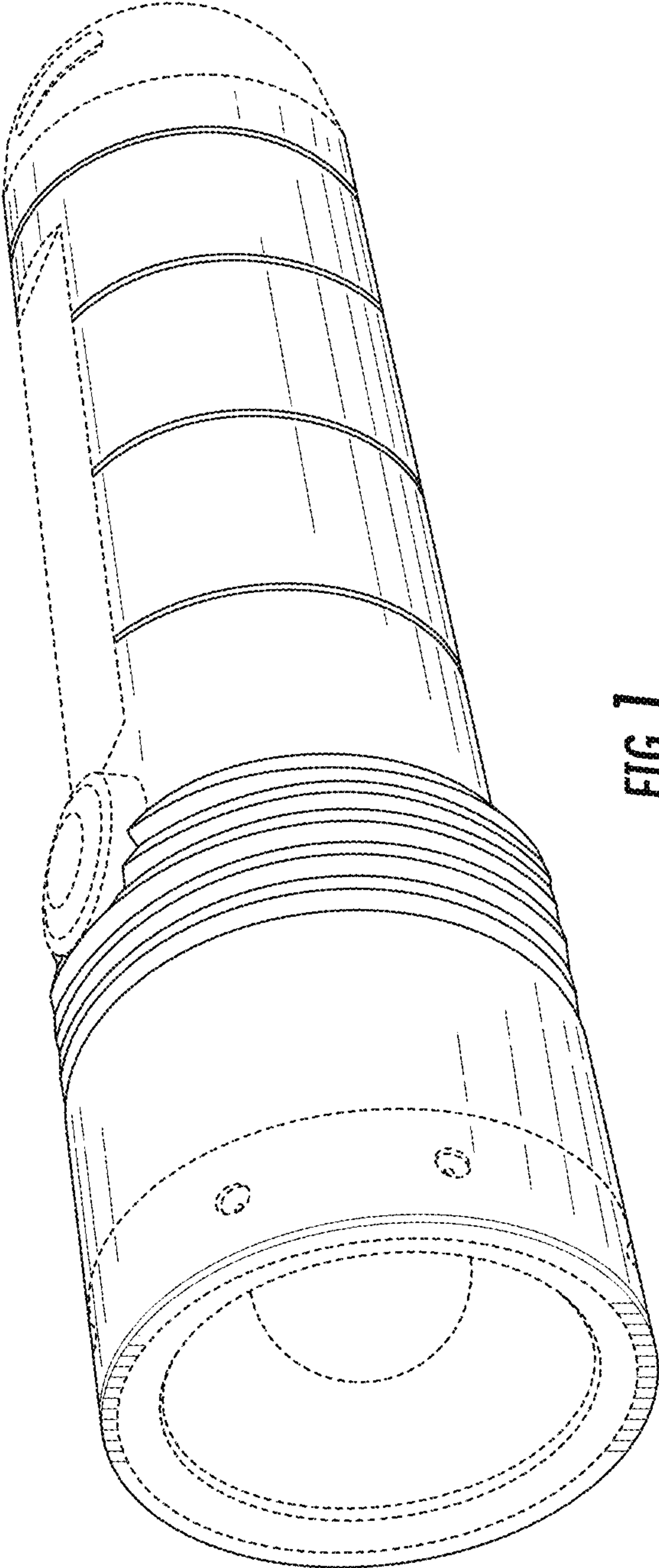
(56)

References Cited

U.S. PATENT DOCUMENTS

D630,356	S *	1/2011	Robinson	D26/49
D630,783	S *	1/2011	Baker	D26/49
8,113,682	B2 *	2/2012	Bertken	F21L 4/00 362/120
D673,710	S *	1/2013	Eichelberger	D26/62
D675,357	S *	1/2013	Shi	D26/49
D706,475	S *	6/2014	Lee	D26/49
D706,476	S *	6/2014	Lee	D26/49
D710,526	S *	8/2014	Lee	D26/49
D719,694	S *	12/2014	Nawaz	D22/117
9,068,727	B2 *	6/2015	Lee	F21V 14/065
D745,987	S *	12/2015	Nawaz	D22/117
D748,309	S *	1/2016	Cheng	D22/117
D752,794	S *	3/2016	Feustel	D26/49
9,303,832	B2 *	4/2016	Sun	F21L 4/04
D767,185	S *	9/2016	Schleder	D26/113
D775,680	S *	1/2017	Yoshiyama	D16/219
9,647,473	B2 *	5/2017	Feustel	F21L 4/005
D799,088	S *	10/2017	Green	D26/49
D799,089	S *	10/2017	Green	D26/49
D802,045	S *	11/2017	Chalenko	D16/219
2003/0147237	A1 *	8/2003	Halasz	F21L 4/027 362/187
2004/0012955	A1 *	1/2004	Hsieh	F21L 4/027 362/202
2006/0072310	A1 *	4/2006	Hung	A61B 1/00036 362/205
2012/0033416	A1 *	2/2012	Ballard	F21L 4/027 362/202
2014/0334138	A1 *	11/2014	Jigamian	F21V 31/005 362/157

* cited by examiner



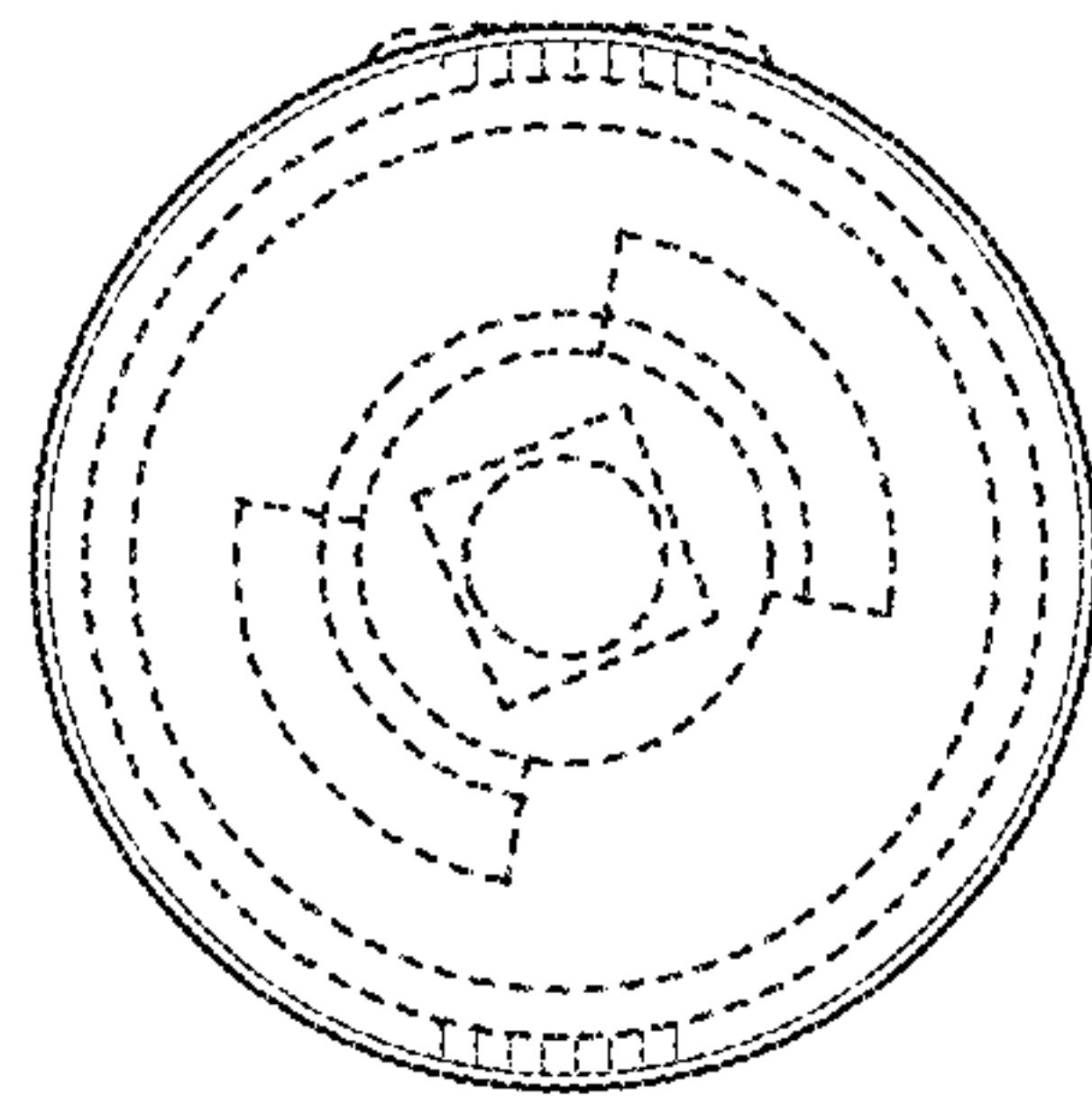


FIG. 2

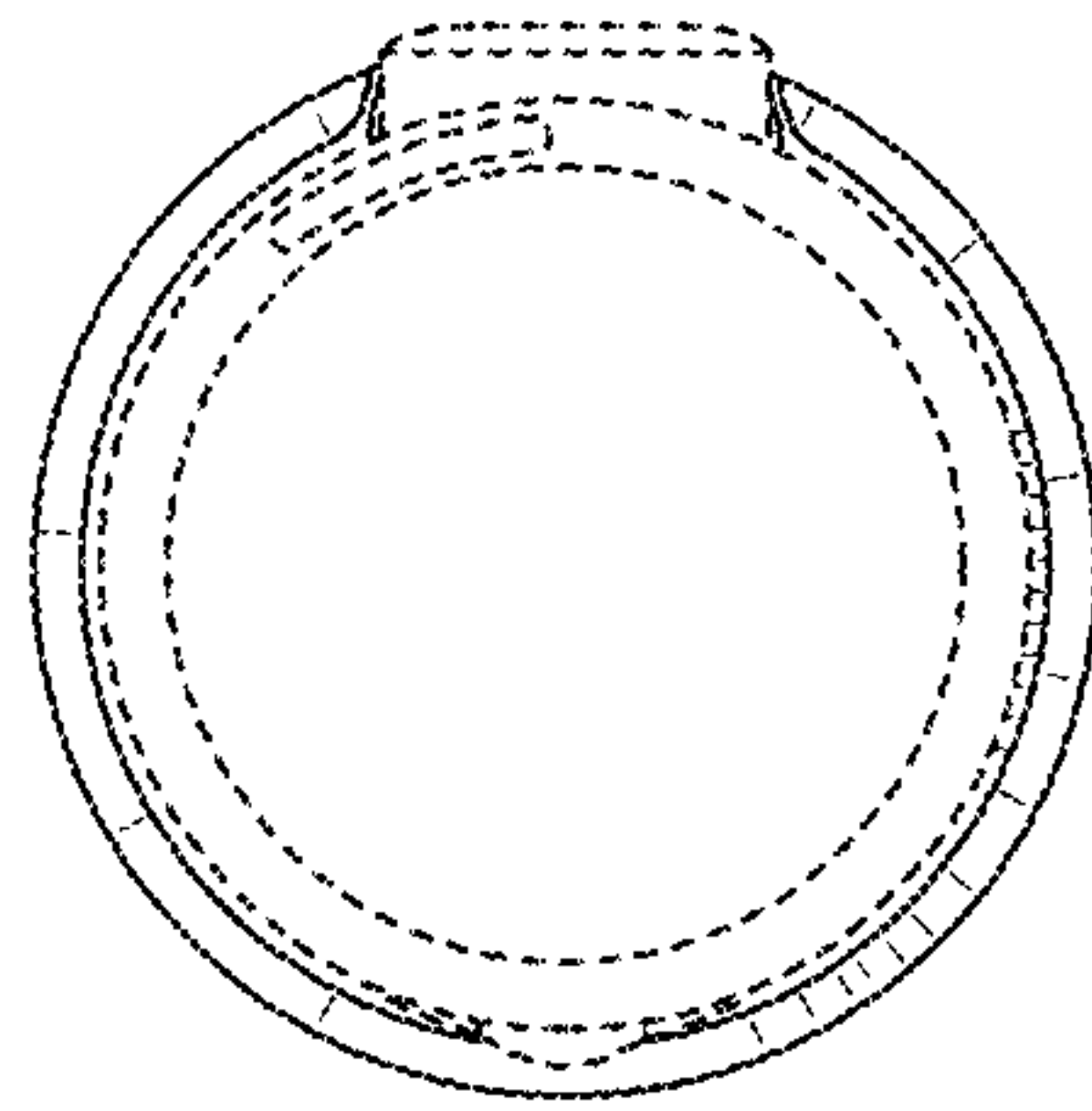


FIG. 3

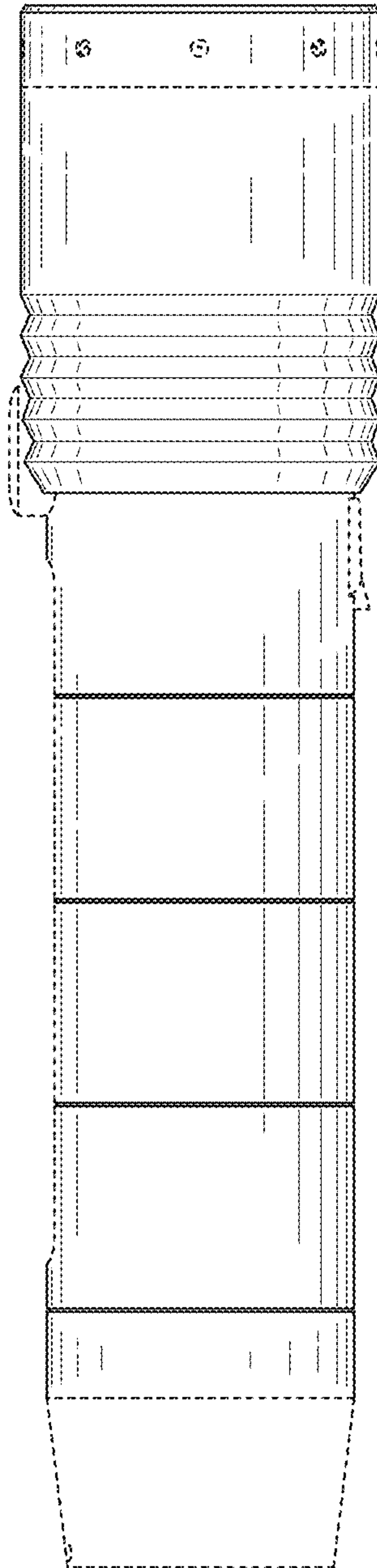


FIG. 4

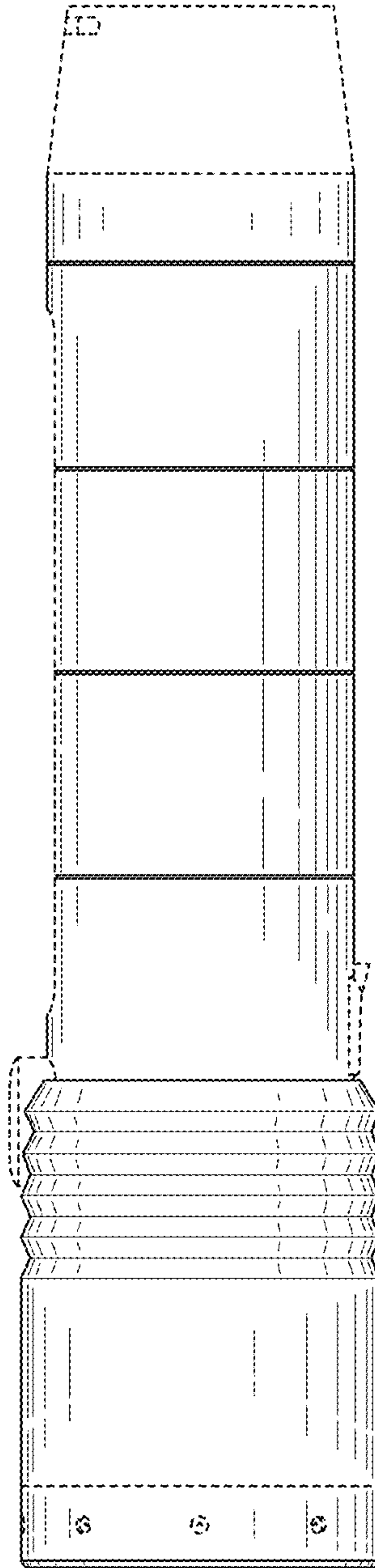


FIG. 5

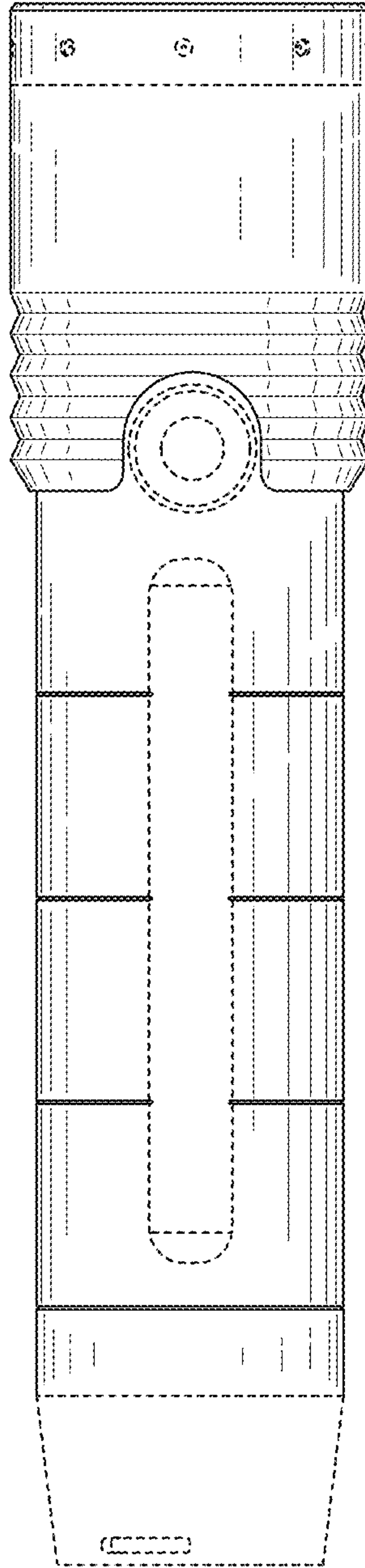


FIG. 6

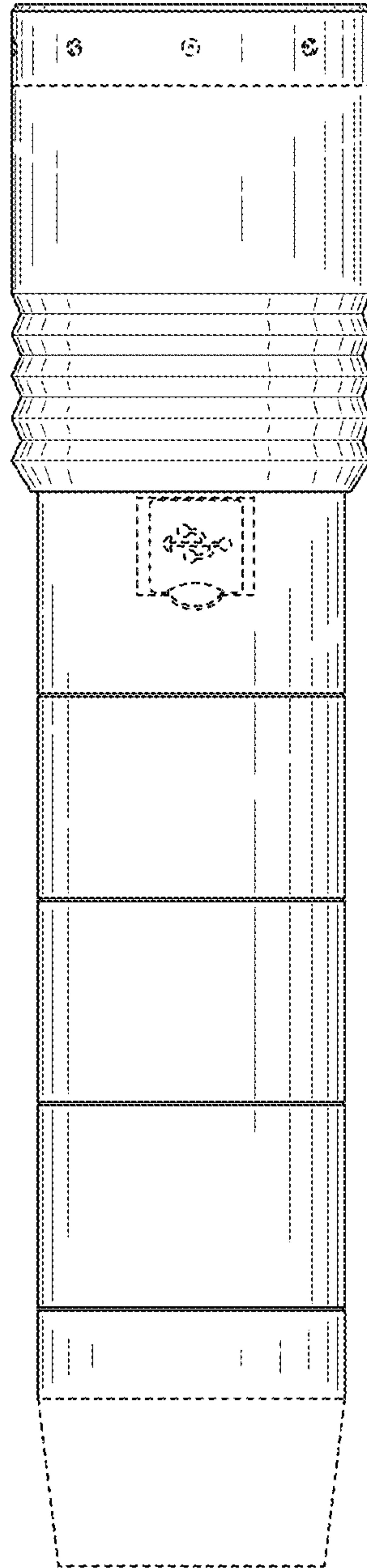


FIG. 7