



US00D818621S

(12) **United States Design Patent**  
**Kunzendorf**

(10) **Patent No.:** **US D818,621 S**

(45) **Date of Patent:** **\*\* May 22, 2018**

(54) **FLASHLIGHT**

(71) Applicant: **LED Lenser Corp. Ltd., Yangjiang (CN)**

(72) Inventor: **Andre Kunzendorf, Wuppertal (DE)**

(73) Assignee: **LED Lenser Corp. Ltd., Yangjiang (CN)**

(\*\*) Term: **15 Years**

(21) Appl. No.: **29/569,230**

(22) Filed: **Jun. 24, 2016**

(51) **LOC (11) Cl.** ..... **26-02**

(52) **U.S. Cl.**  
USPC ..... **D26/49**

(58) **Field of Classification Search**  
USPC ..... D26/37, 36, 46, 48, 49, 41; 359/399,  
359/406; D16/217, 317, 134, 219;  
D3/209; 362/171, 202, 412  
CPC ..... F12V 15/012; F12V 15/013; F21L 17/00;  
F21L 2003/00; F21L 4/00  
See application file for complete search history.

(56) **References Cited**

**U.S. PATENT DOCUMENTS**

D274,949 S *	7/1984	Bandiera .....	D26/49
D285,361 S *	8/1986	Marcucci .....	D26/138
D473,961 S *	4/2003	Galli .....	D26/49
D508,748 S *	8/2005	Man .....	D26/37
D518,906 S *	4/2006	Stoddard .....	D26/37
D519,657 S *	4/2006	Stoddard .....	D26/37
D531,743 S *	11/2006	Opolka .....	D26/37
D535,418 S *	1/2007	Martin .....	D26/37
D549,860 S *	8/2007	Gustafson .....	D26/37
D567,416 S *	4/2008	Shiu .....	D26/37

D577,450 S *	9/2008	Shiu .....	D26/49
D593,239 S *	5/2009	Caniparoli .....	D26/49
D593,240 S *	5/2009	Caniparoli .....	D26/49
D607,591 S *	1/2010	Rivera .....	D26/49
D621,080 S *	8/2010	Chen .....	D26/49
D656,259 S *	3/2012	Ku .....	D26/37
D658,322 S *	4/2012	Wu .....	D26/37
D743,594 S *	11/2015	Scazziga .....	D26/37
9,212,794 B2 *	12/2015	Unger .....	F21L 13/06
D749,254 S *	2/2016	Robinson .....	D26/37
D749,255 S *	2/2016	Robinson .....	D26/37
D750,302 S *	2/2016	Ma .....	D26/37
D760,927 S *	7/2016	Bao .....	D26/24
D760,928 S *	7/2016	Bao .....	D26/24
D770,071 S *	10/2016	Windom .....	D26/49
D780,356 S *	2/2017	Nguyen .....	D26/49
D795,256 S *	8/2017	Jentz .....	D14/388
D799,087 S *	10/2017	Koshiba .....	D26/49

\* cited by examiner

*Primary Examiner* — Lakiya G Rogers

*Assistant Examiner* — Altaira J Swangin

(74) *Attorney, Agent, or Firm* — Alston & Bird LLP

(57) **CLAIM**

The ornamental design for a flashlight, as shown and described.

**DESCRIPTION**

FIG. 1 is a perspective view of a flashlight according to my new design;

FIG. 2 is a front elevation view thereof;

FIG. 3 is a back elevation view thereof;

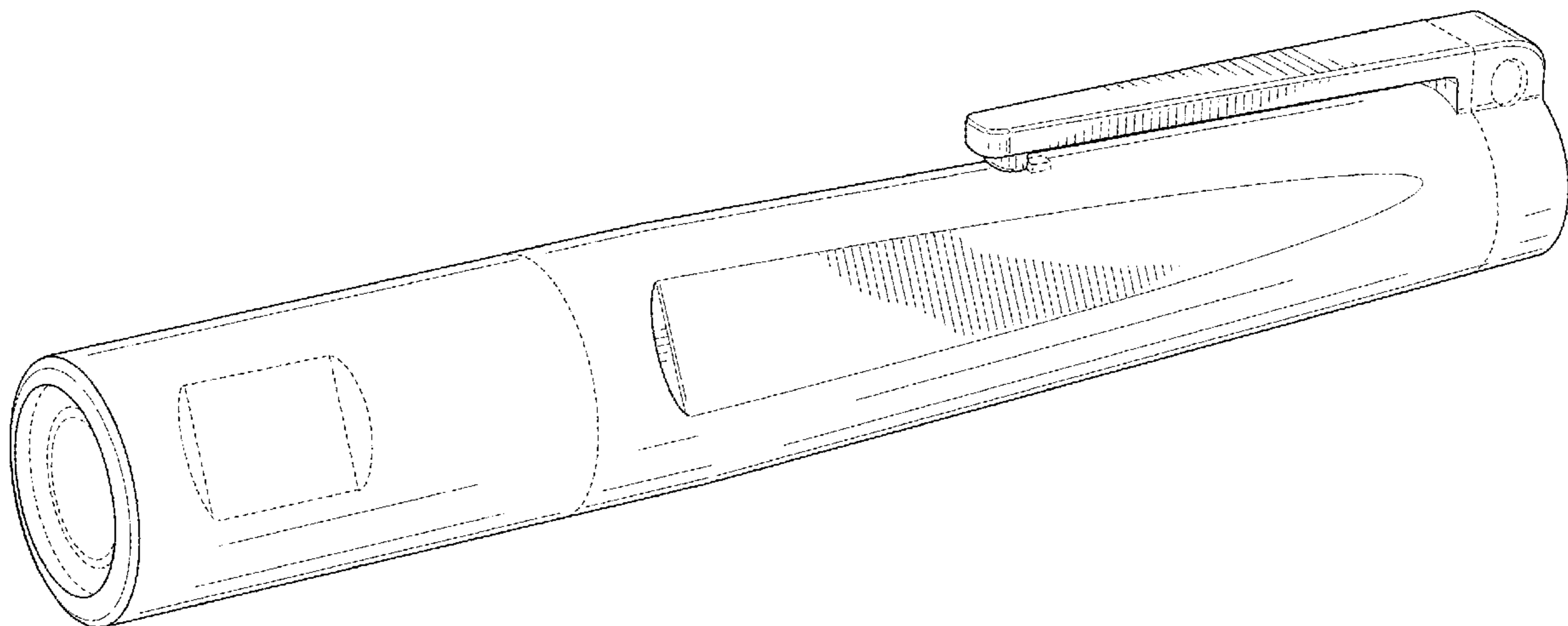
FIG. 4 is a right side elevation view thereof;

FIG. 5 is a left side elevation view thereof;

FIG. 6 is a top elevation view thereof; and,

FIG. 7 is a bottom plan view thereof.

**1 Claim, 4 Drawing Sheets**



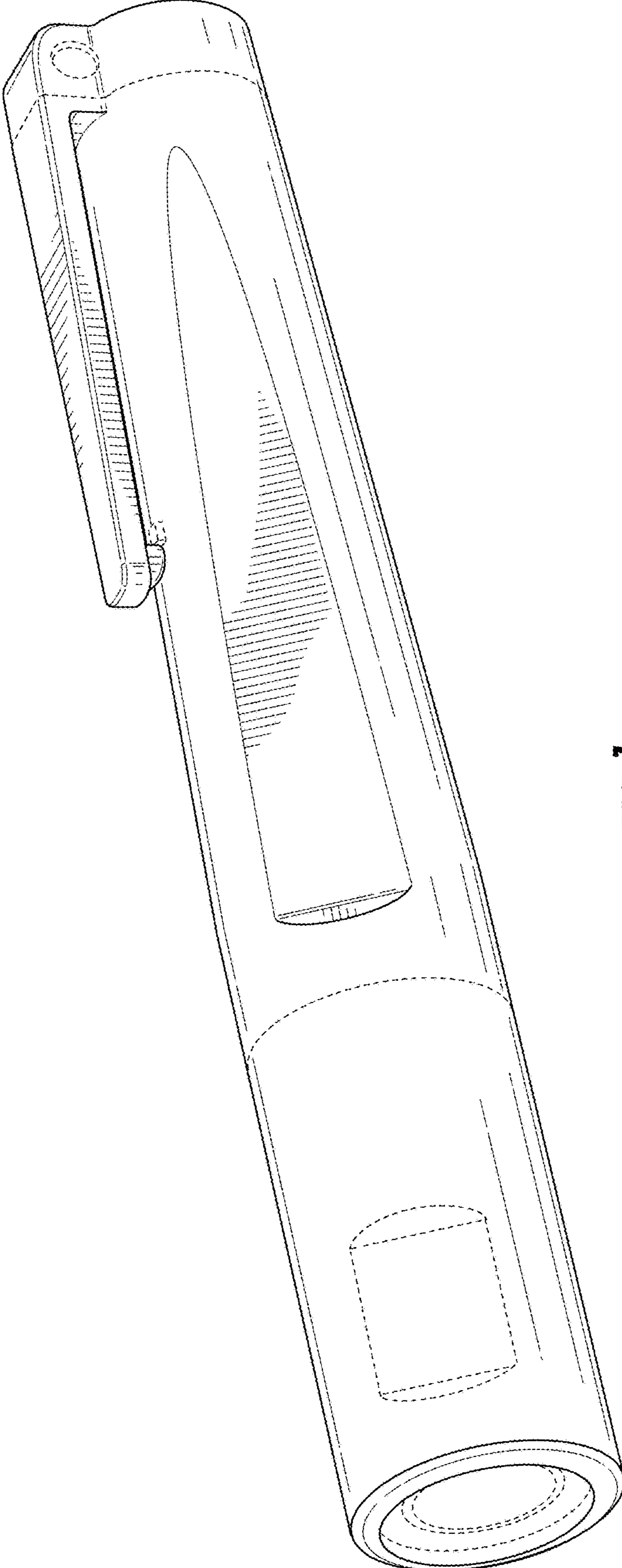
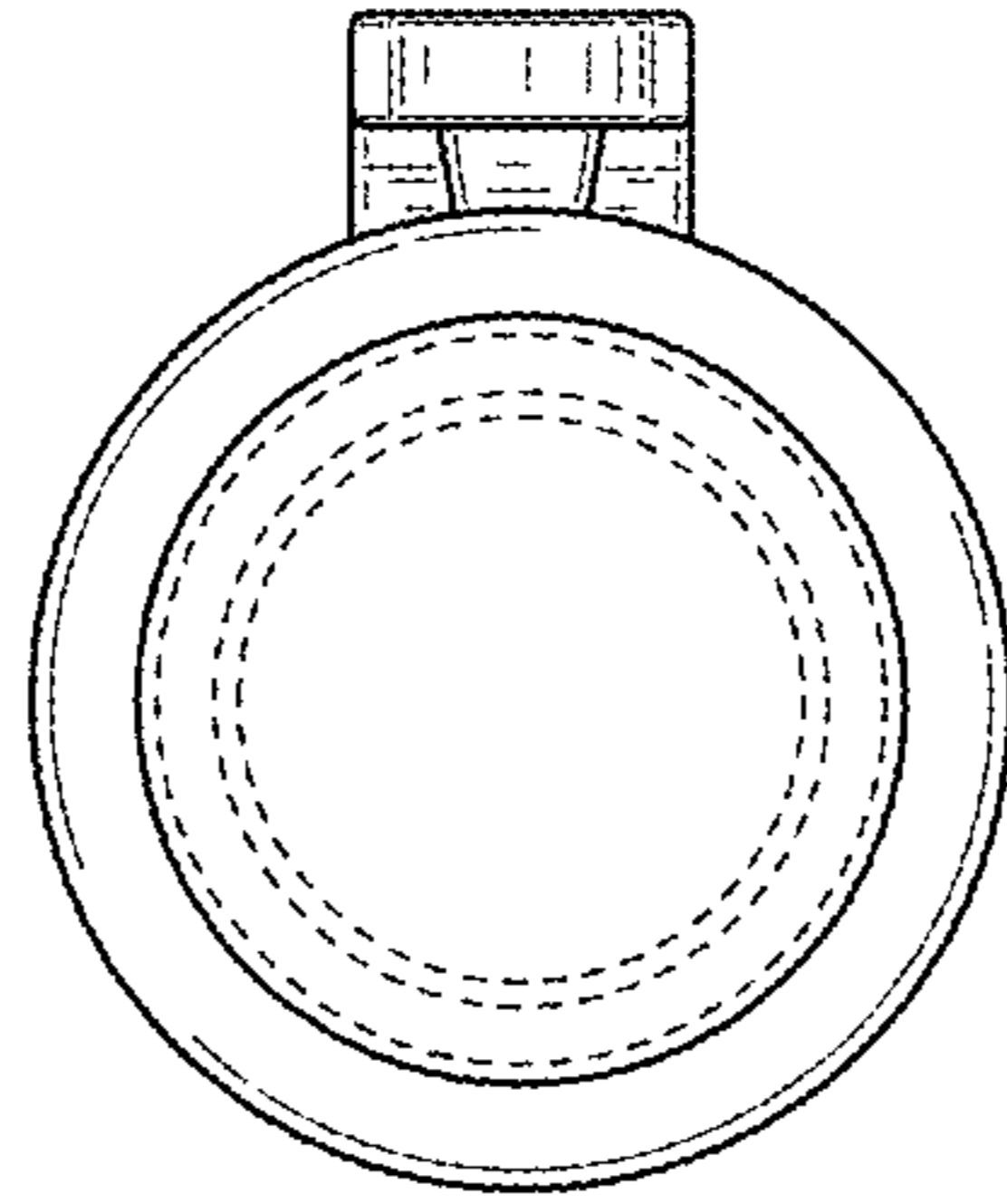
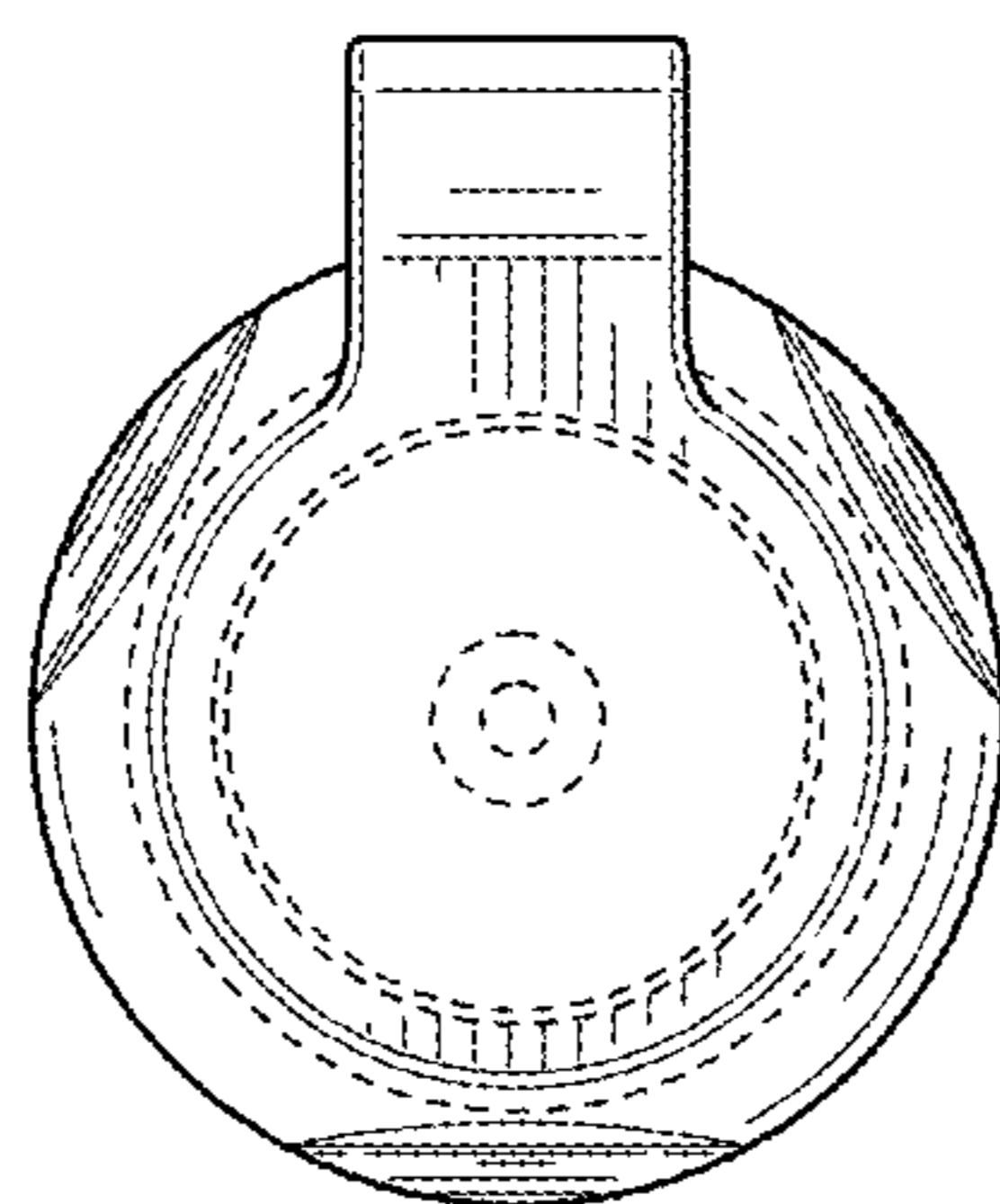


FIG. 1



**FIG. 2**



**FIG. 3**

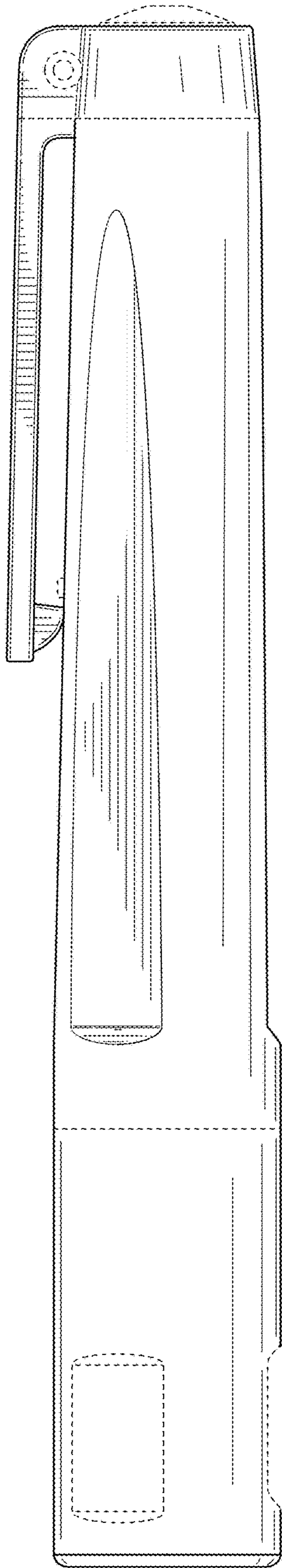


FIG. 4

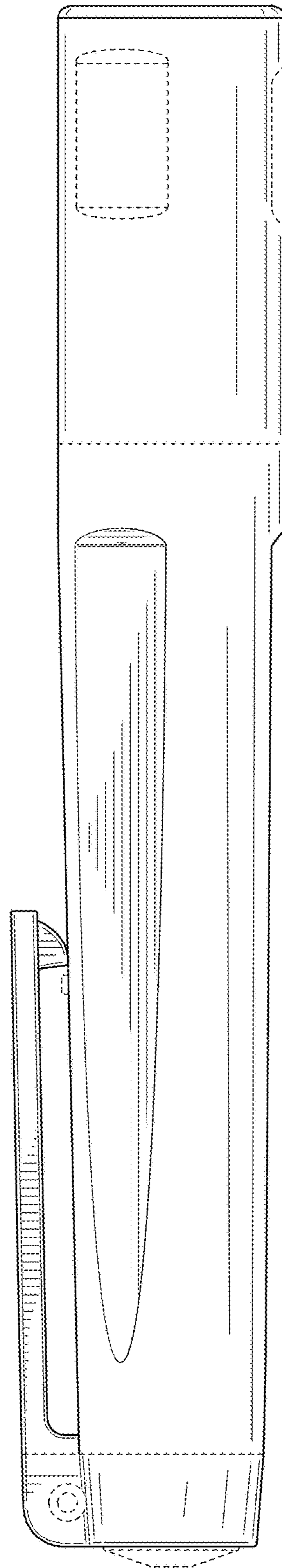
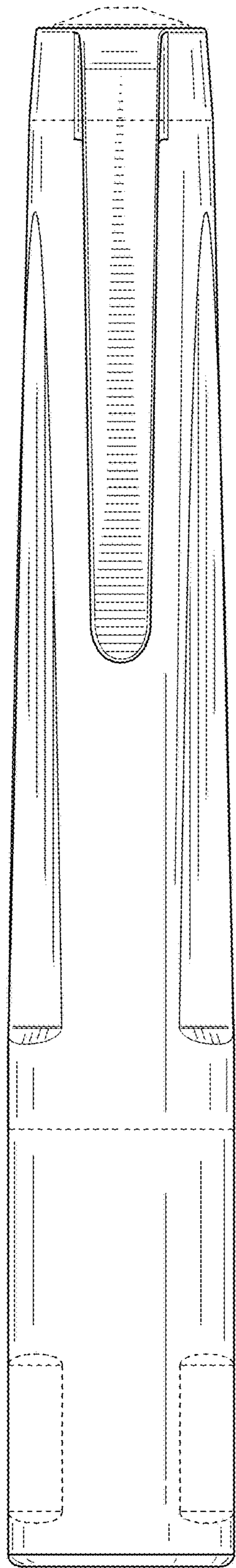
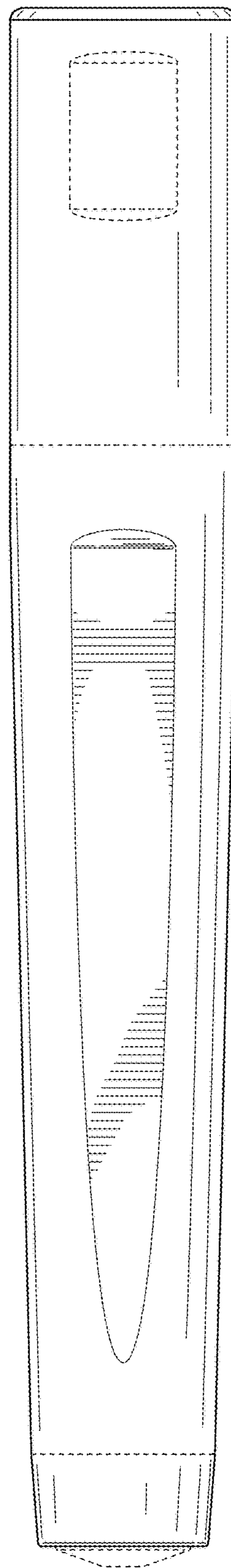


FIG. 5





**FIG. 6**



**FIG. 7**

UNITED STATES PATENT AND TRADEMARK OFFICE  
**CERTIFICATE OF CORRECTION**

PATENT NO. : D818,621 S  
APPLICATION NO. : 29/569230  
DATED : May 22, 2018  
INVENTOR(S) : Kunzendorf

Page 1 of 1

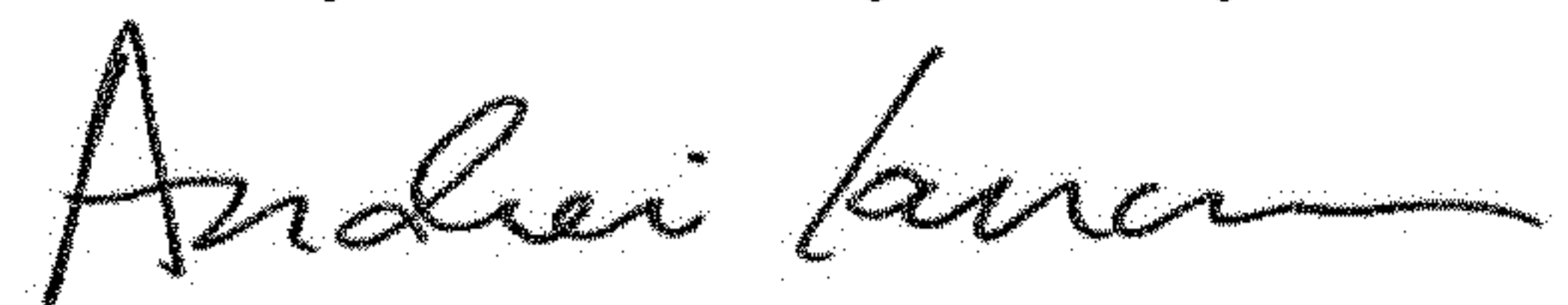
It is certified that error appears in the above-identified patent and that said Letters Patent is hereby corrected as shown below:

On the Title Page

At the bottom of the DESCRIPTION, insert the following paragraph:

--The dash-dash broken lines showing in the views illustrate portions of the FLASHLIGHT that form no part of the claimed design.--.

Signed and Sealed this  
Twenty-fourth Day of July, 2018



Andrei Iancu  
*Director of the United States Patent and Trademark Office*