



US00D818620S

(12) **United States Design Patent**
Brown et al.

(10) **Patent No.:** **US D818,620 S**

(45) **Date of Patent:** **** May 22, 2018**

(54) **LIGHTING DEVICE**

(71) Applicant: **Energizer Brands, LLC**, St. Louis, MO (US)

(72) Inventors: **John Robert Brown**, Mosman (AU);
Philip Filip Tejszerski, Mosman (AU)

(73) Assignee: **Energizer Brands, LLC**, St. Louis, MO (US)

(**) Term: **15 Years**

(21) Appl. No.: **29/527,148**

(22) Filed: **May 15, 2015**

(51) **LOC (11) Cl.** **26-02**

(52) **U.S. Cl.**
USPC **D26/41**

(58) **Field of Classification Search**
USPC D26/37, 38, 39, 40, 41, 42, 45, 51
CPC F21L 2005/00; F21L 7/00; F21L 11/00;
F21L 13/00; F21L 13/04; F21L 13/08;
F21L 14/02; F21L 17/00; F21L 19/00;
F21L 25/00

See application file for complete search history.

(56) **References Cited**

U.S. PATENT DOCUMENTS

D296,009 S	5/1988	Witusik et al.	
D374,099 S	9/1996	Bamber	
D407,171 S	3/1999	Yuen	
D433,762 S *	11/2000	Yuen	D26/40
D439,689 S	3/2001	Yuen	
D443,088 S *	5/2001	Skidmore	D26/40
D451,221 S	11/2001	Poon	
D483,892 S *	12/2003	Poon	D26/40
D509,921 S	9/2005	Lam	
D541,961 S	5/2007	Tarter et al.	
D548,865 S *	8/2007	Meoli	D26/40
D553,774 S *	10/2007	Leung	D26/40

D554,785 S	11/2007	Brown et al.	
D559,418 S *	1/2008	Poon	D26/40
D570,510 S	6/2008	DeBrunner	
D571,493 S *	6/2008	Li	D26/37
D575,429 S *	8/2008	Shiu	D26/40
D604,435 S	11/2009	Kingston et al.	
D605,321 S *	12/2009	Schupp	D26/40
D608,920 S *	1/2010	Loibl	D26/40
D638,152 S *	5/2011	Leung	D26/40
D643,560 S	8/2011	Tompkin	
D693,499 S *	11/2013	Bennett	D26/37
D694,445 S *	11/2013	Shiu	D26/40
D706,968 S *	6/2014	McDonough	D26/41
D707,378 S *	6/2014	Shiu	D26/41
D725,300 S *	3/2015	Dalton	D26/40
D738,553 S *	9/2015	Fletcher	D26/41
D747,022 S *	1/2016	Leung	D26/40
D759,869 S *	6/2016	Huang	D26/41

(Continued)

Primary Examiner — Lakiya Rogers

Assistant Examiner — Carissa C Fitts

(74) *Attorney, Agent, or Firm* — Alston & Bird LLP

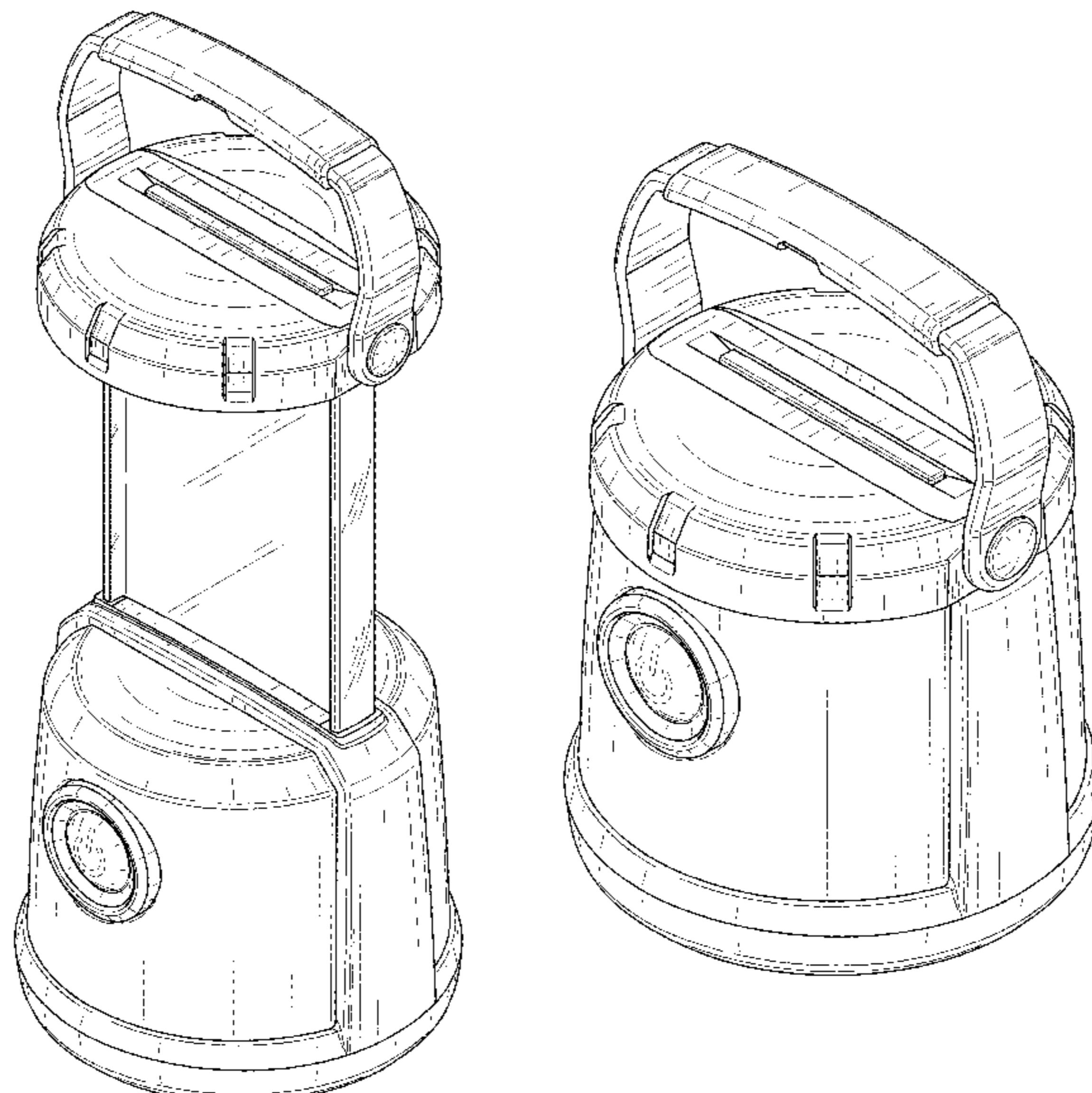
(57) **CLAIM**

The ornamental design for a lighting device, as shown and described.

DESCRIPTION

FIG. 1 is a front perspective view of the design with the handle and light extended out of the light housing;
FIG. 2 is a front view of the design;
FIG. 3 is a rear view of the design;
FIG. 4 is a side view of the design;
FIG. 5 is a side view of the design;
FIG. 6 is a top view of the design;
FIG. 7 is a bottom view of the design; and,
FIG. 8 is a front perspective view of the design with the light disposed within the light housing.
The broken lines show unclaimed portions of the article and form no part of the claimed design.

1 Claim, 7 Drawing Sheets



(56)

References Cited

U.S. PATENT DOCUMENTS

D765,898 S * 9/2016 Caito D26/42
D773,704 S * 12/2016 Pardo D26/41
D776,315 S * 1/2017 Wu D26/41

* cited by examiner

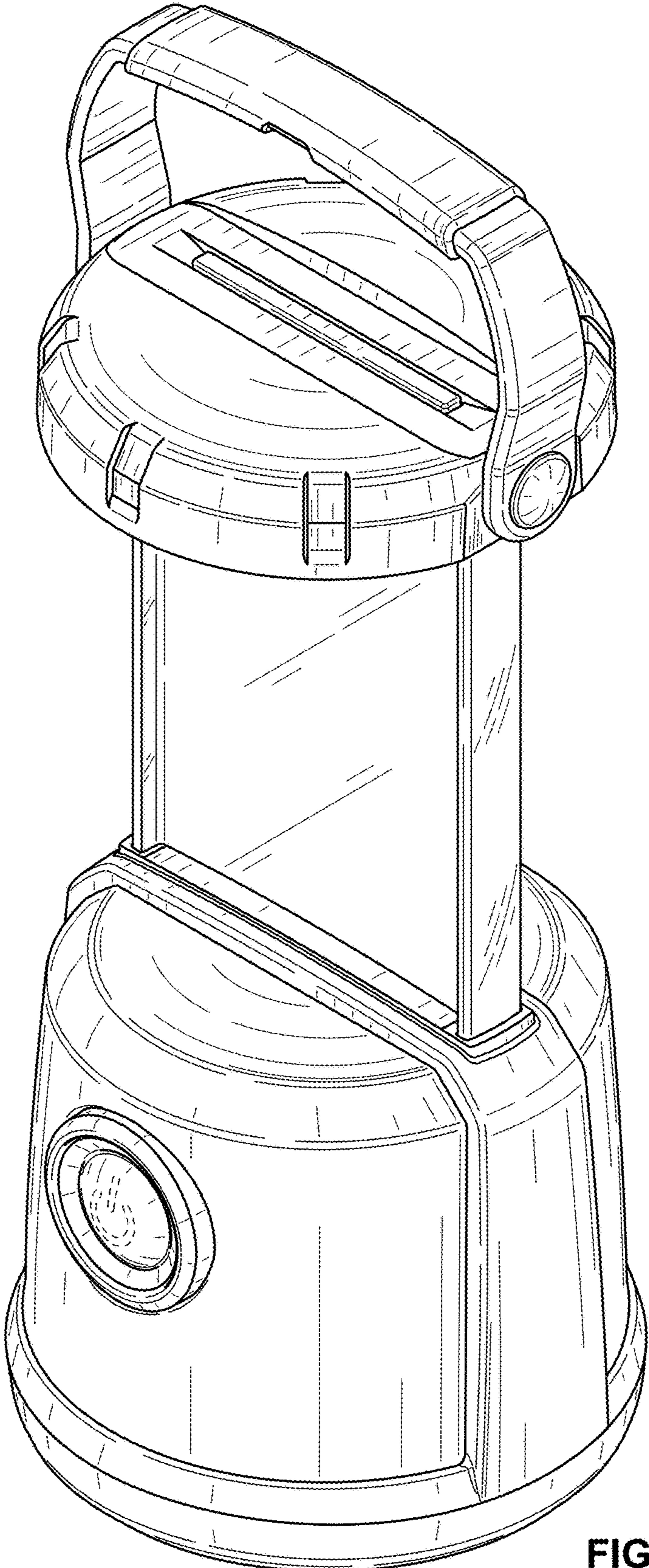


FIG. 1

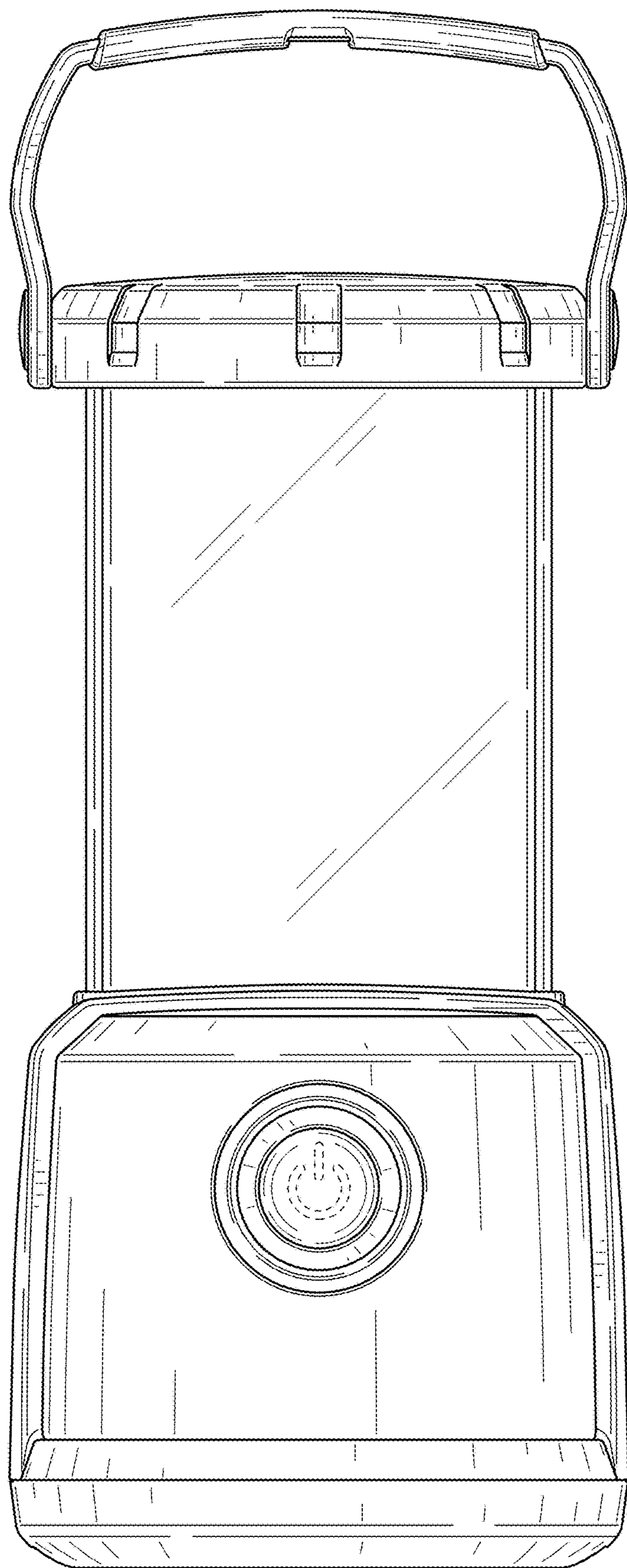


FIG. 2

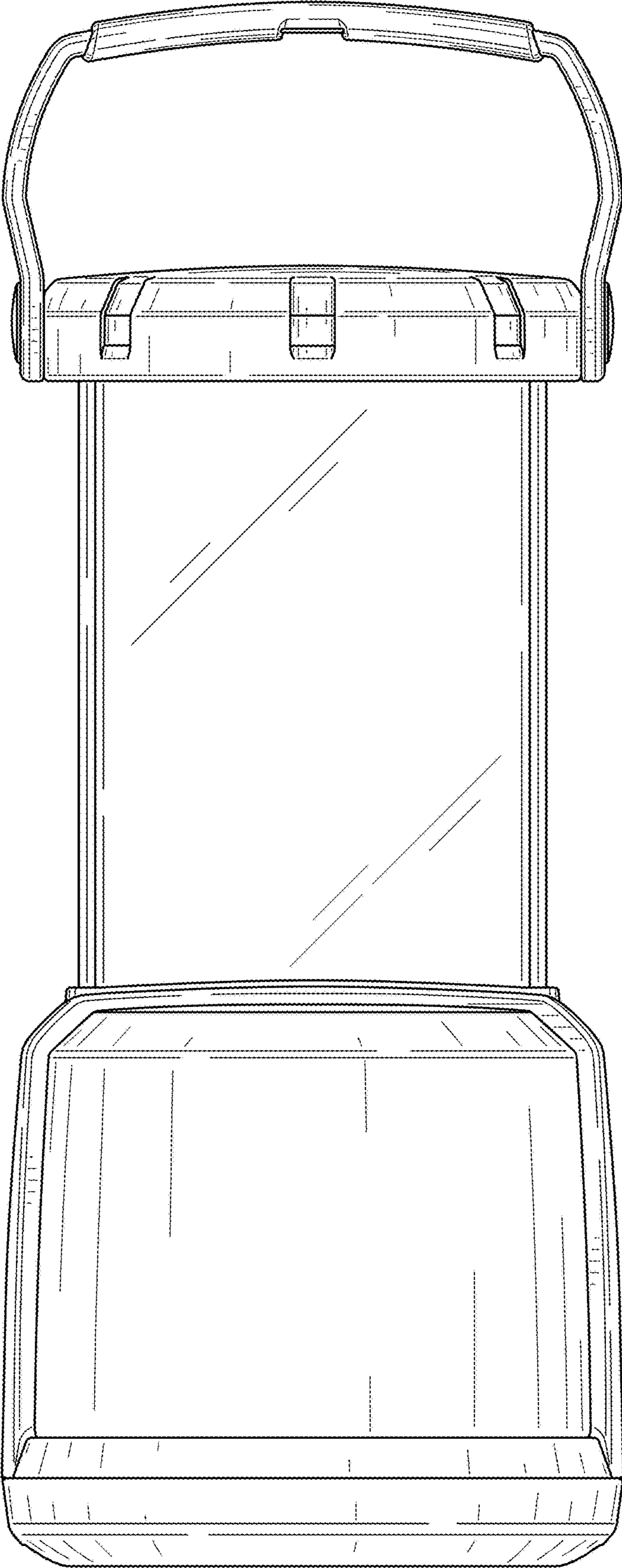


FIG. 3

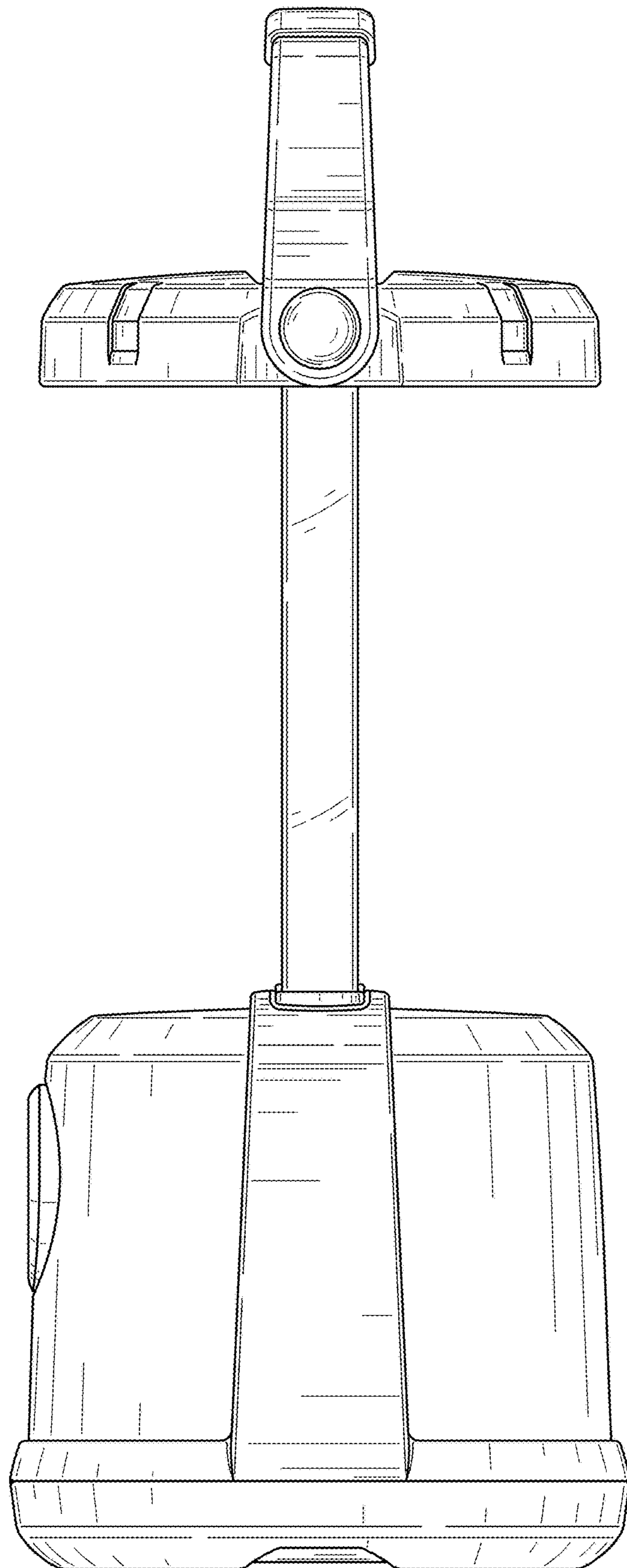


FIG. 4

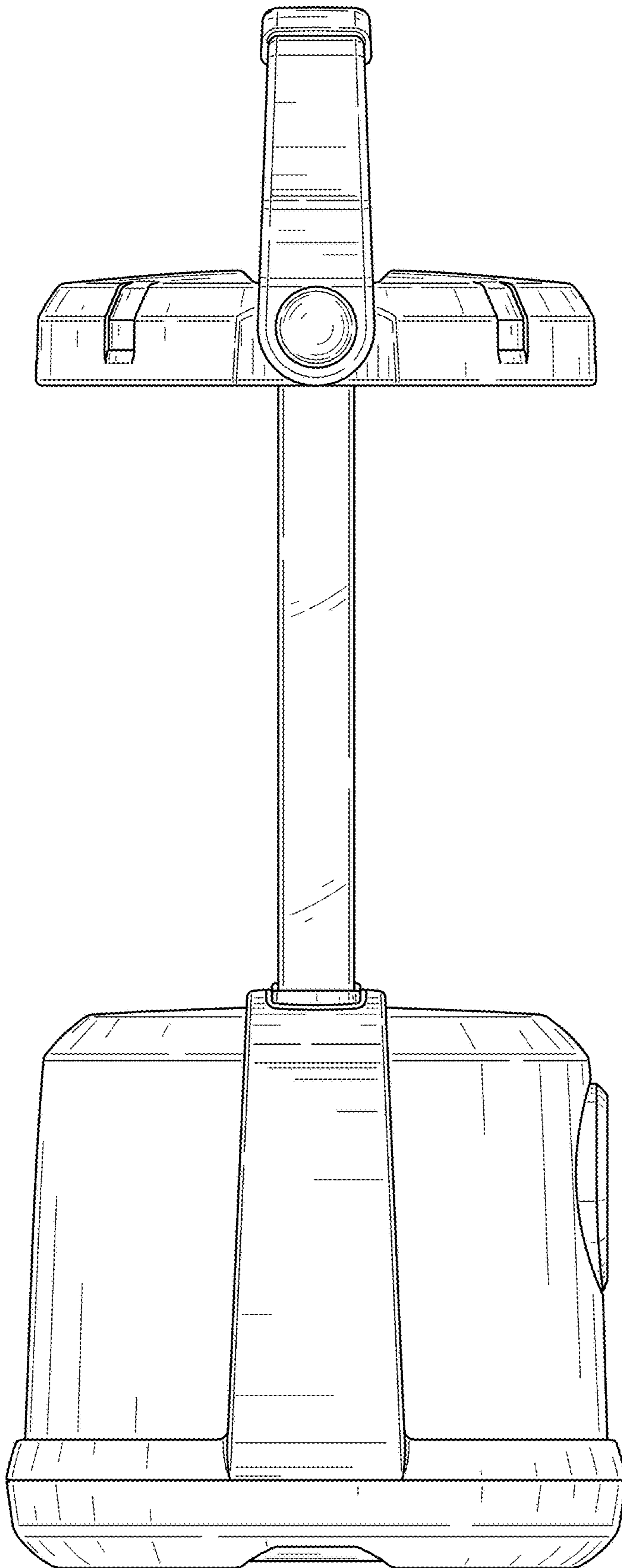


FIG. 5

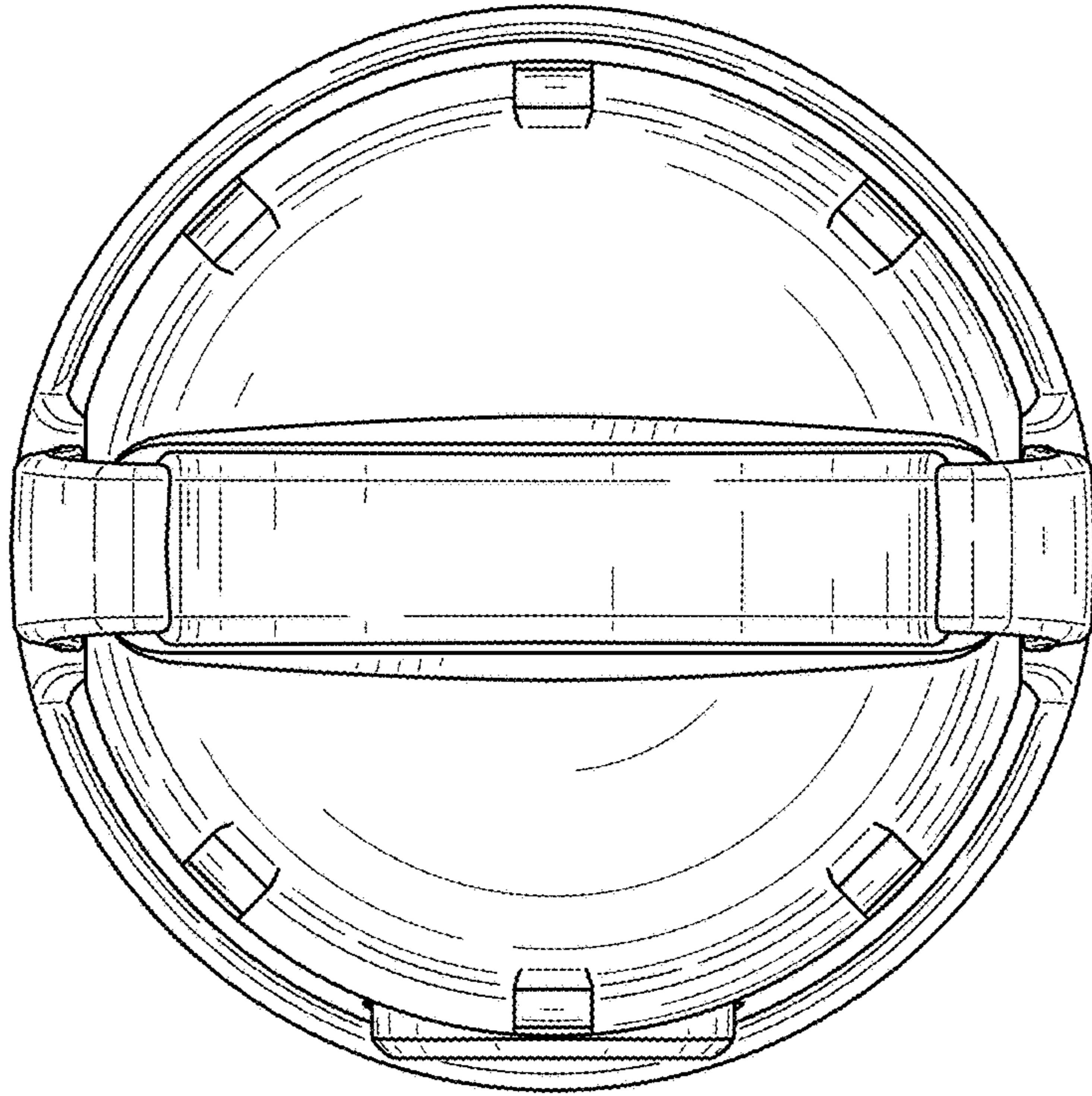


FIG. 6

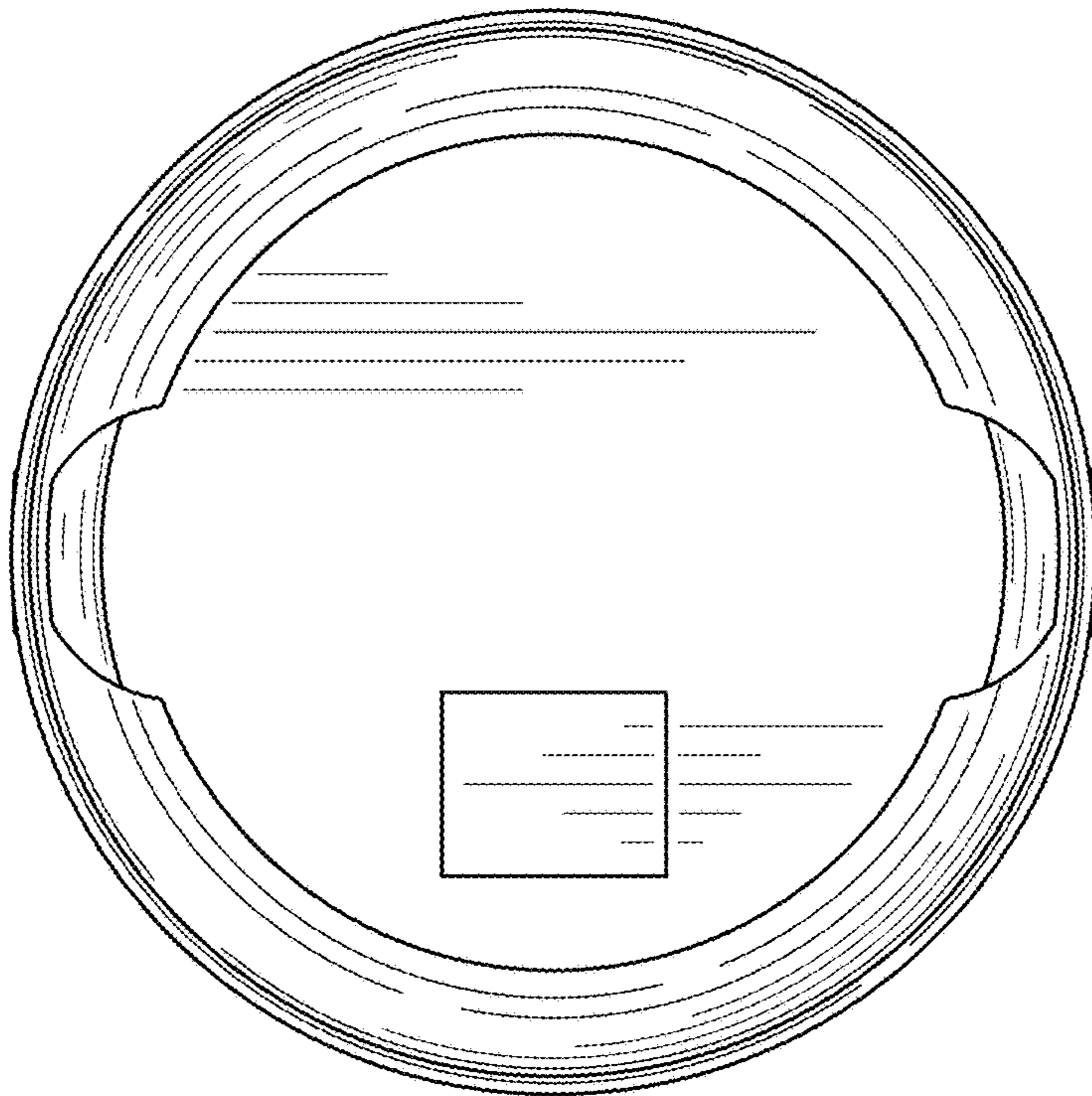


FIG. 7

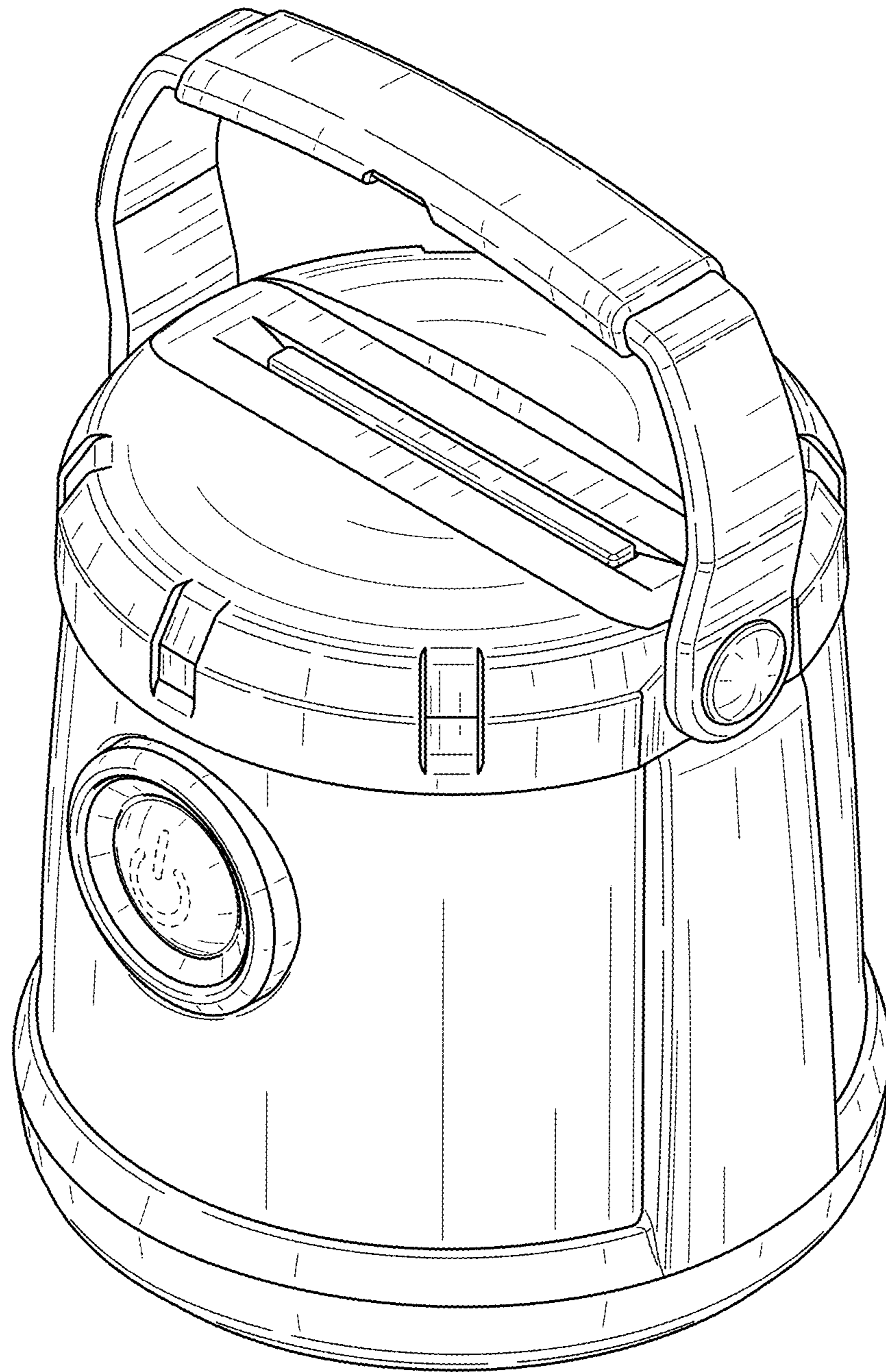


FIG. 8