



US00D818619S

(12) **United States Design Patent**
Hanwell

(10) **Patent No.:** **US D818,619 S**

(45) **Date of Patent:** **** May 22, 2018**

(54) **PORTABLE LIGHT**

(71) Applicant: **Pelican Products, Inc.**, Torrance, CA
(US)

(72) Inventor: **John Edward Hanwell**, Beverly Hills,
CA (US)

(73) Assignee: **Pelican Products, Inc.**, Torrance, CA
(US)

(**) Term: **15 Years**

(21) Appl. No.: **29/574,770**

(22) Filed: **Aug. 18, 2016**

Related U.S. Application Data

(63) Continuation-in-part of application No. 29/478,012,
filed on Dec. 30, 2013, now Pat. No. Des. 774,674.

(51) **LOC (11) Cl.** **26-02**

(52) **U.S. Cl.**
USPC **D26/37**

(58) **Field of Classification Search**
USPC D26/37, 38, 40, 41, 42, 46, 50, 51
CPC ... F21L 4/025; F21L 4/027; F21L 4/04; F21L
4/08; F21L 2005/00; F21L 7/00; F21L
11/00; F21L 13/00; F21L 13/04; F21L
13/08; F21L 14/02; F21L 17/00; F21L
19/00; F21L 25/00

See application file for complete search history.

(56) **References Cited**

U.S. PATENT DOCUMENTS

D351,673 S	10/1994	Fenne	
D362,078 S	9/1995	Sanders	
D376,663 S	12/1996	Yuen	
D428,176 S	7/2000	Bamber et al.	
D452,022 S	12/2001	Osiecki et al.	
D471,525 S *	3/2003	Tse	D14/129
D473,960 S	4/2003	Yuen	

D479,889 S	9/2003	Poon	
D485,383 S *	1/2004	Hanselman	D26/38
D498,316 S *	11/2004	Yuen	D26/38
D506,847 S	6/2005	Hussaini et al.	
D532,536 S	11/2006	Krieger et al.	
D542,447 S	5/2007	Krieger et al.	
D544,122 S *	6/2007	Yuen	D26/46
D545,470 S	6/2007	Devany et al.	
D553,281 S	10/2007	Rugendyke et al.	
D553,771 S *	10/2007	Watson	D26/37
D556,353 S	11/2007	Gebhard et al.	
D569,022 S *	5/2008	Lin	D26/46
D583,987 S *	12/2008	Devaney	D26/120

(Continued)

OTHER PUBLICATIONS

US Notice of Allowance dated Oct. 4, 2016, from related U.S. Appl.
No. 29/478,012.

(Continued)

Primary Examiner — Karen E Kearney

Assistant Examiner — Carissa C Fitts

(74) *Attorney, Agent, or Firm* — Foley & Lardner LLP

(57) **CLAIM**

I claim the ornamental design for a portable light, as shown
and described.

DESCRIPTION

FIG. 1 is a perspective view of a portable light of the claimed
design;

FIG. 2 is a front view thereof;

FIG. 3 is a rear view thereof;

FIG. 4 is a left view thereof;

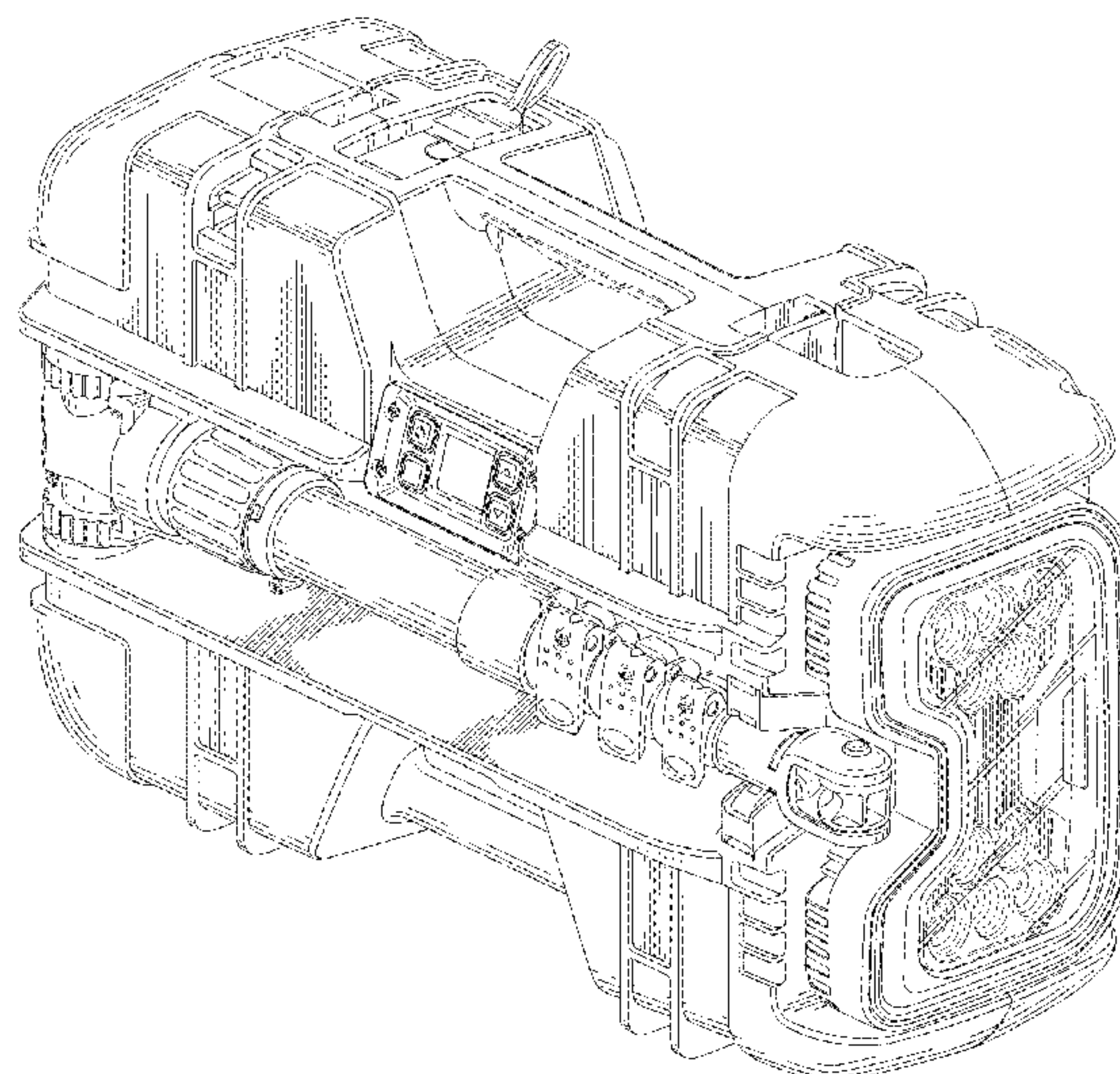
FIG. 5 is a right view thereof;

FIG. 6 is a top view thereof; and,

FIG. 7 is a bottom view thereof.

The broken lines show portions of the article not claimed
and form no part of the claimed design.

1 Claim, 7 Drawing Sheets



(56)

References Cited

U.S. PATENT DOCUMENTS

D599,924 S * 9/2009 Schoch D26/44
D623,784 S * 9/2010 Yamamoto D26/45
D641,513 S 7/2011 Wang
D643,138 S 8/2011 Kawase
D665,521 S 8/2012 Werner
D695,434 S 12/2013 Shen
D699,874 S 2/2014 Chilton et al.
D705,467 S 5/2014 Aglassinger
D774,674 S * 12/2016 Hanwell D26/50
2013/0258645 A1 10/2013 Weber et al.

OTHER PUBLICATIONS

US Office Action dated Apr. 22, 2016, from related U.S. Appl. No. 29/478,012.

* cited by examiner

FIG. 1

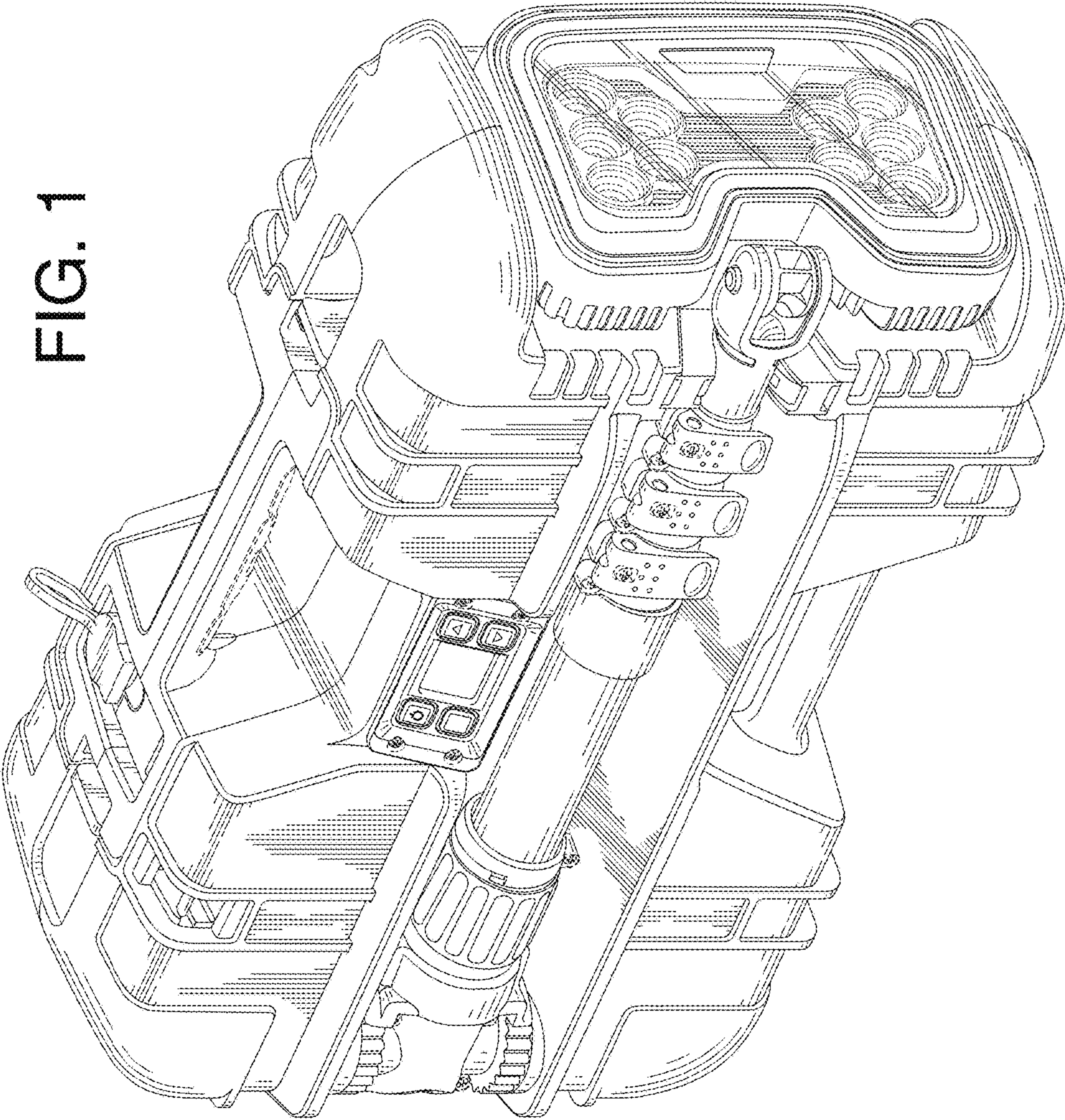


FIG. 2

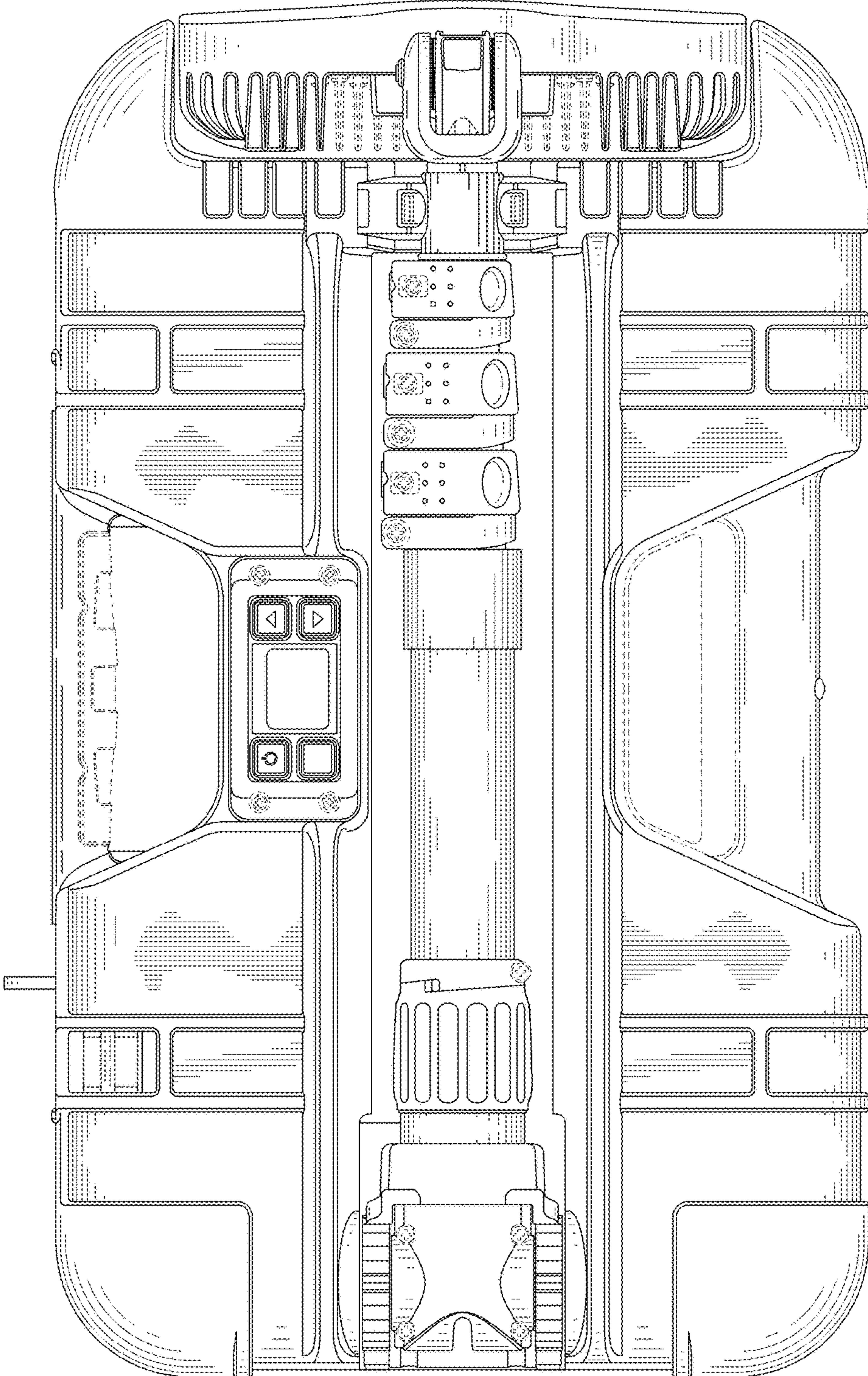


FIG. 3

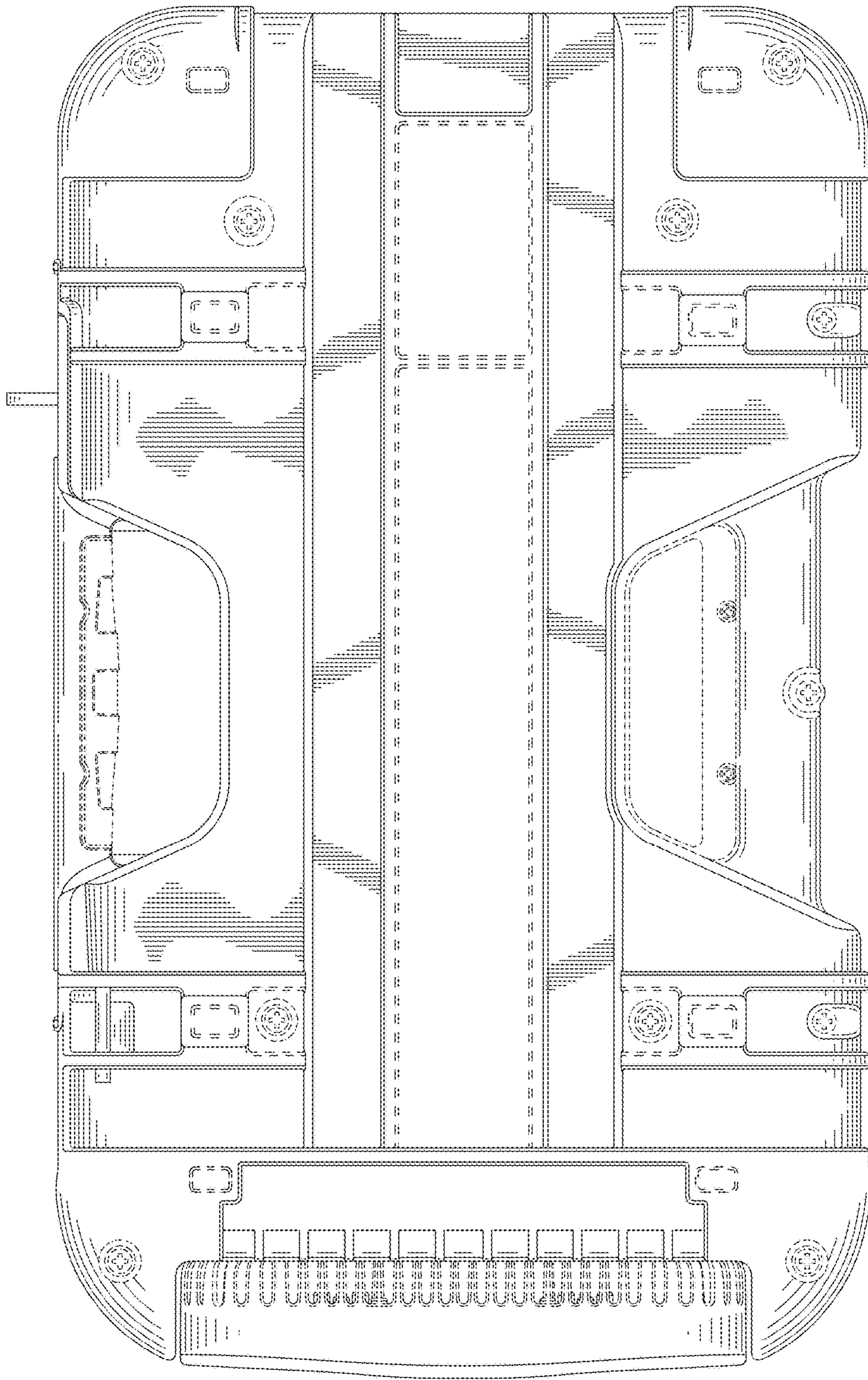


FIG. 4

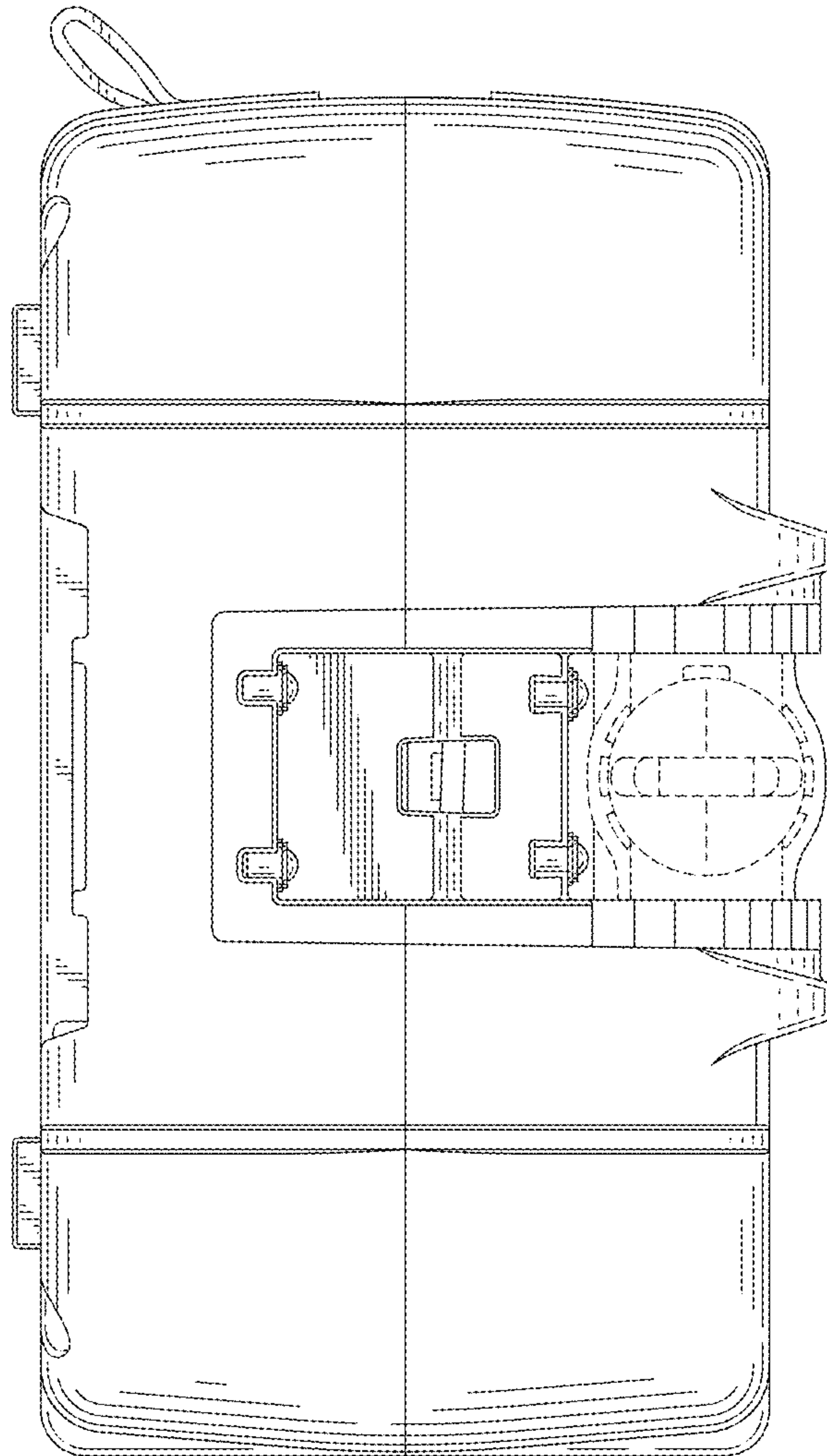


FIG. 5

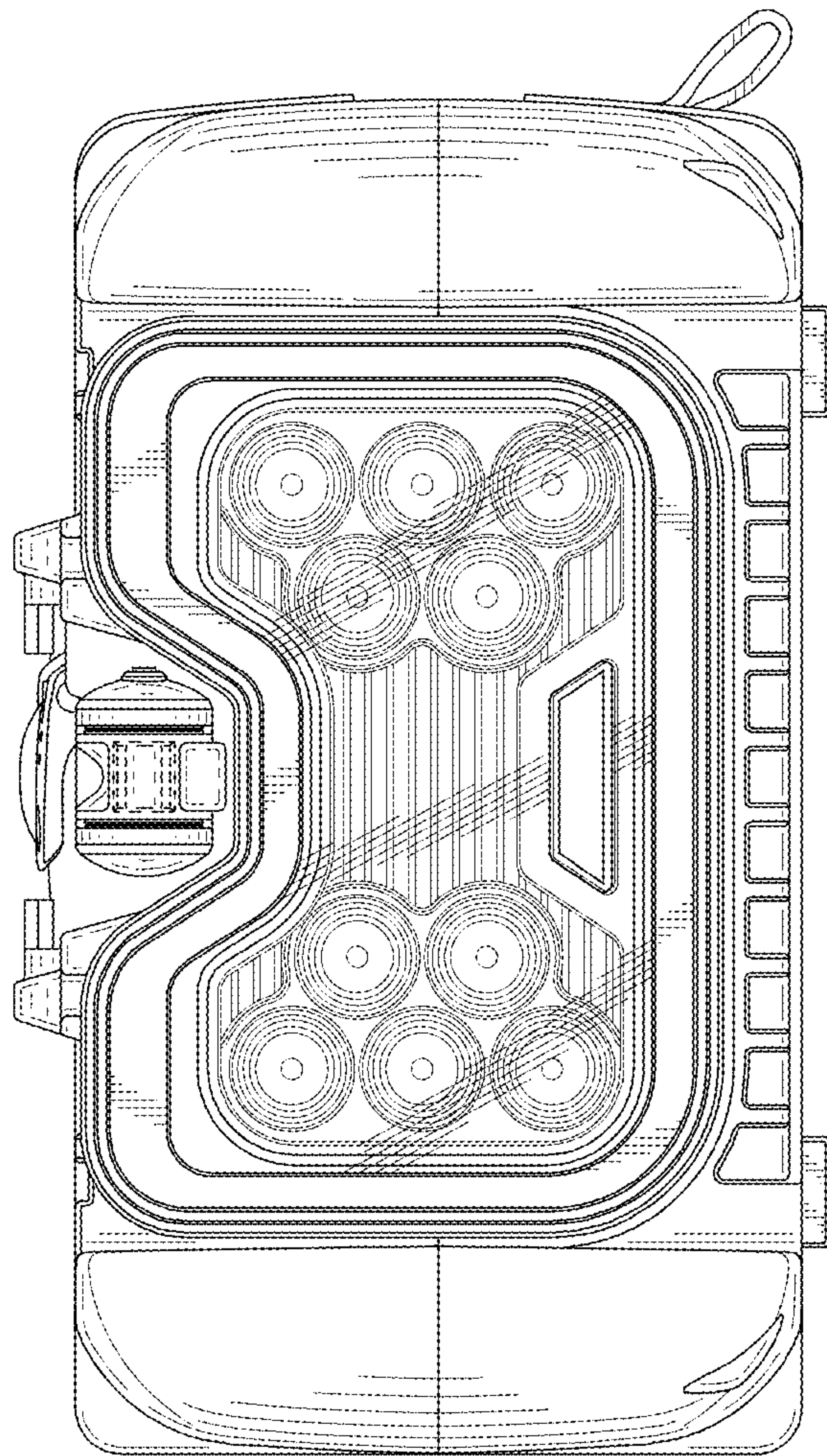


FIG. 6

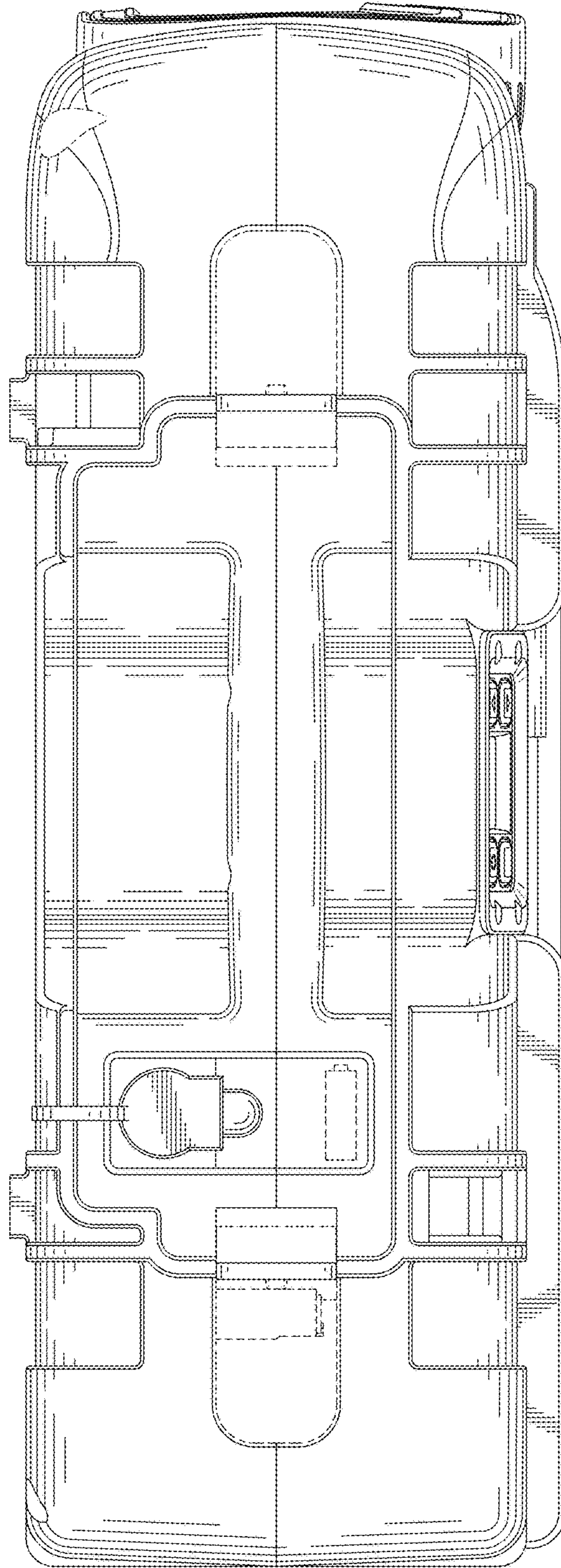


FIG. 7

