



US00D818618S

(12) **United States Design Patent** (10) **Patent No.:** **US D818,618 S**
Bao et al. (45) **Date of Patent:** **** May 22, 2018**

(54) **LED LIGHT BULB**

(56) **References Cited**

(71) Applicant: **SENGLED OPTOELECTRONICS CO., LTD**, Tongxiang (CN)

U.S. PATENT DOCUMENTS

(72) Inventors: **Cong Bao**, Tongxiang (CN); **Jinxiang Shen**, Tongxiang (CN)

D535,038 S * 1/2007 Egawa D26/2
D582,578 S * 12/2008 Tsai D26/2
D584,838 S * 1/2009 To D26/2
D594,995 S * 6/2009 Komar D26/2
D601,722 S * 10/2009 Foo D26/2
D631,989 S * 2/2011 Bobel D26/2

(73) Assignee: **SENGLED OPTOELECTRONICS CO., LTD**, Tongxiang (CN)

* cited by examiner

(**) Term: **15 Years**

Primary Examiner — Marcus Jackson

(21) Appl. No.: **29/603,397**

(74) *Attorney, Agent, or Firm* — Anova Law Group, PLLC

(22) Filed: **May 9, 2017**

(57) **CLAIM**

(30) **Foreign Application Priority Data**

The ornamental design for a LED light bulb, as shown and described.

Nov. 25, 2016 (CN) 2016 3 0574553

DESCRIPTION

(51) **LOC (11) Cl.** **26-04**

FIG. 1 is a front view of a LED light bulb showing my new design;

(52) **U.S. Cl.**

FIG. 2 is a rear view thereof;

USPC **D26/2**

FIG. 3 is a left view thereof;

(58) **Field of Classification Search**

USPC D26/1-4; 313/313, 315, 316, 317, 318, 313/493; 315/52, 53, 56, 57, 58

FIG. 4 is a right view thereof;

CPC H01R 5/00; H01R 13/46; H01R 13/514; H01R 31/048; H01R 31/02; H01J 5/00;

FIG. 5 is a top view thereof;

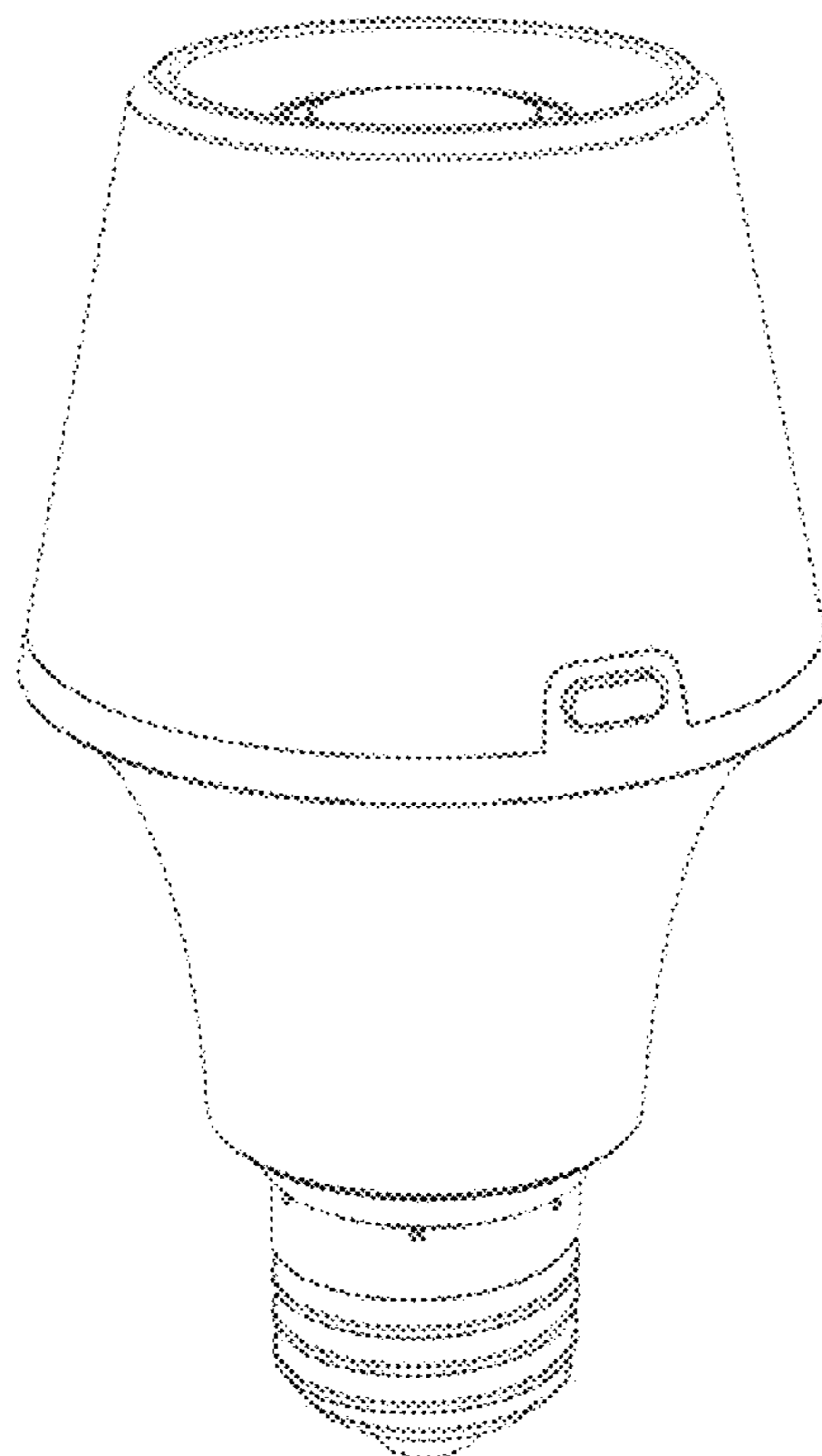
H01J 5/16; H01J 15/00; H01J 5/48; H01J 5/50; H01J 19/54; F21V 5/00

FIG. 6 is a bottom view thereof; and,

See application file for complete search history.

FIG. 7 is a perspective view thereof.

1 Claim, 4 Drawing Sheets



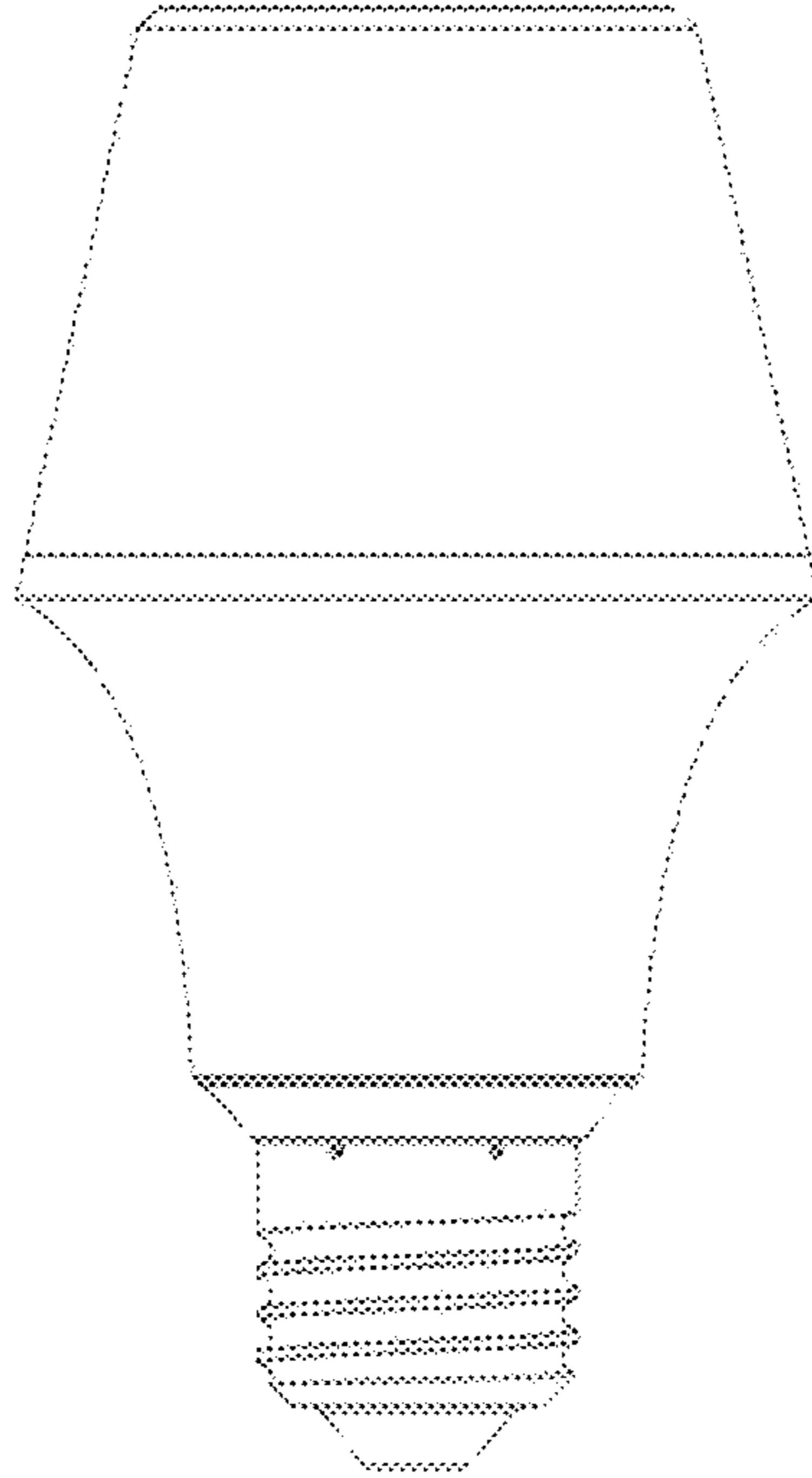


FIG. 1

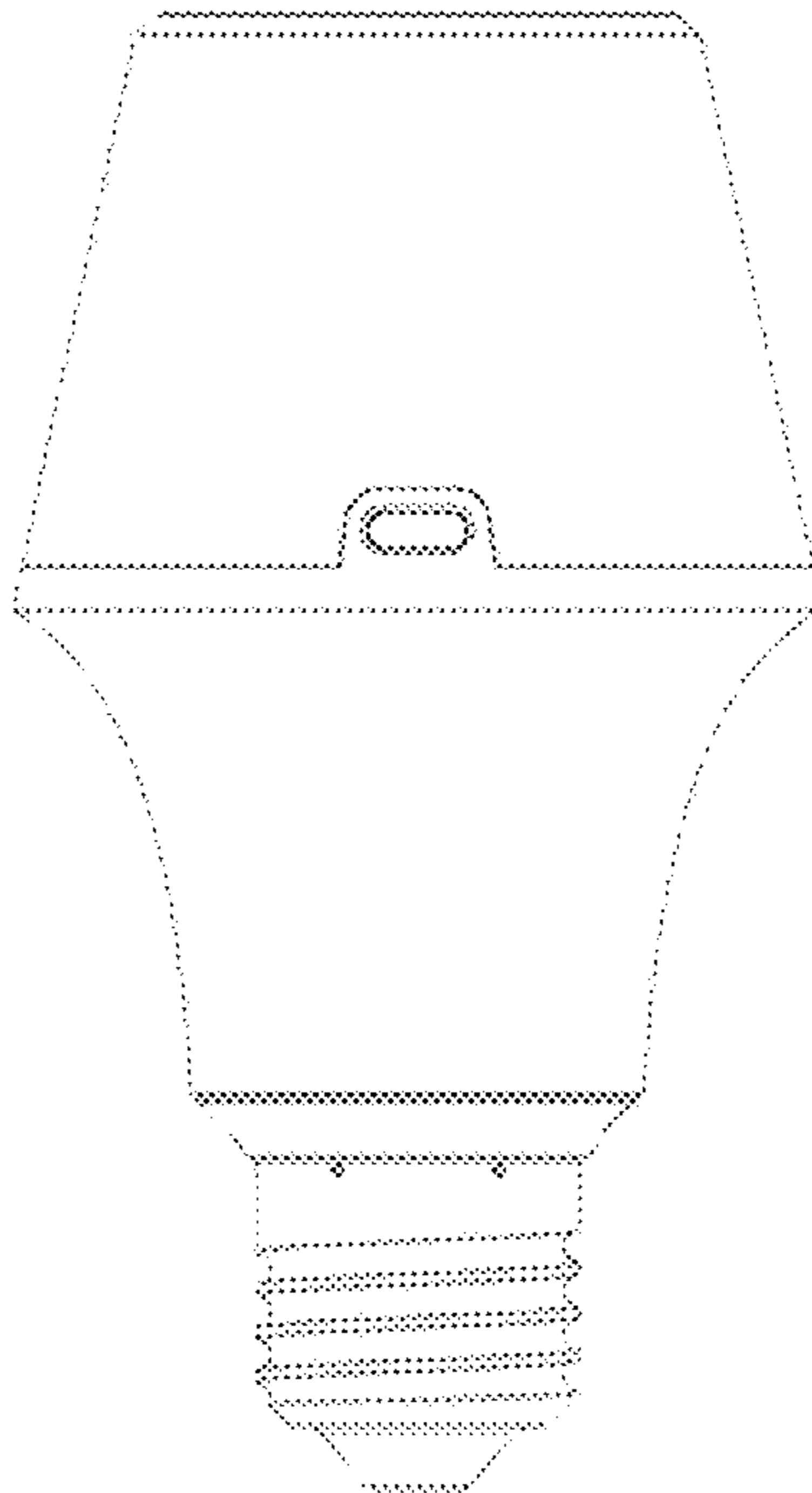


FIG. 2

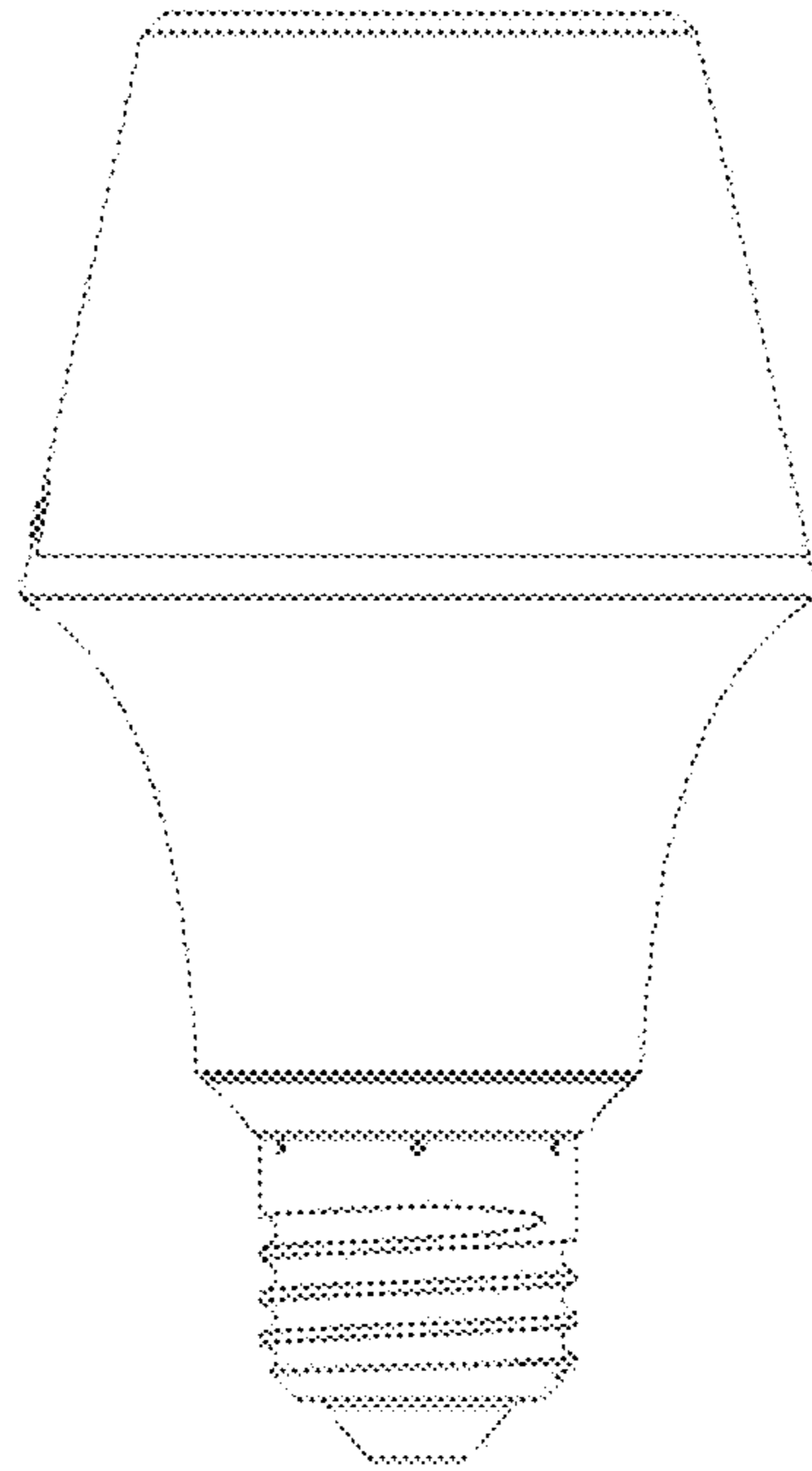


FIG. 3

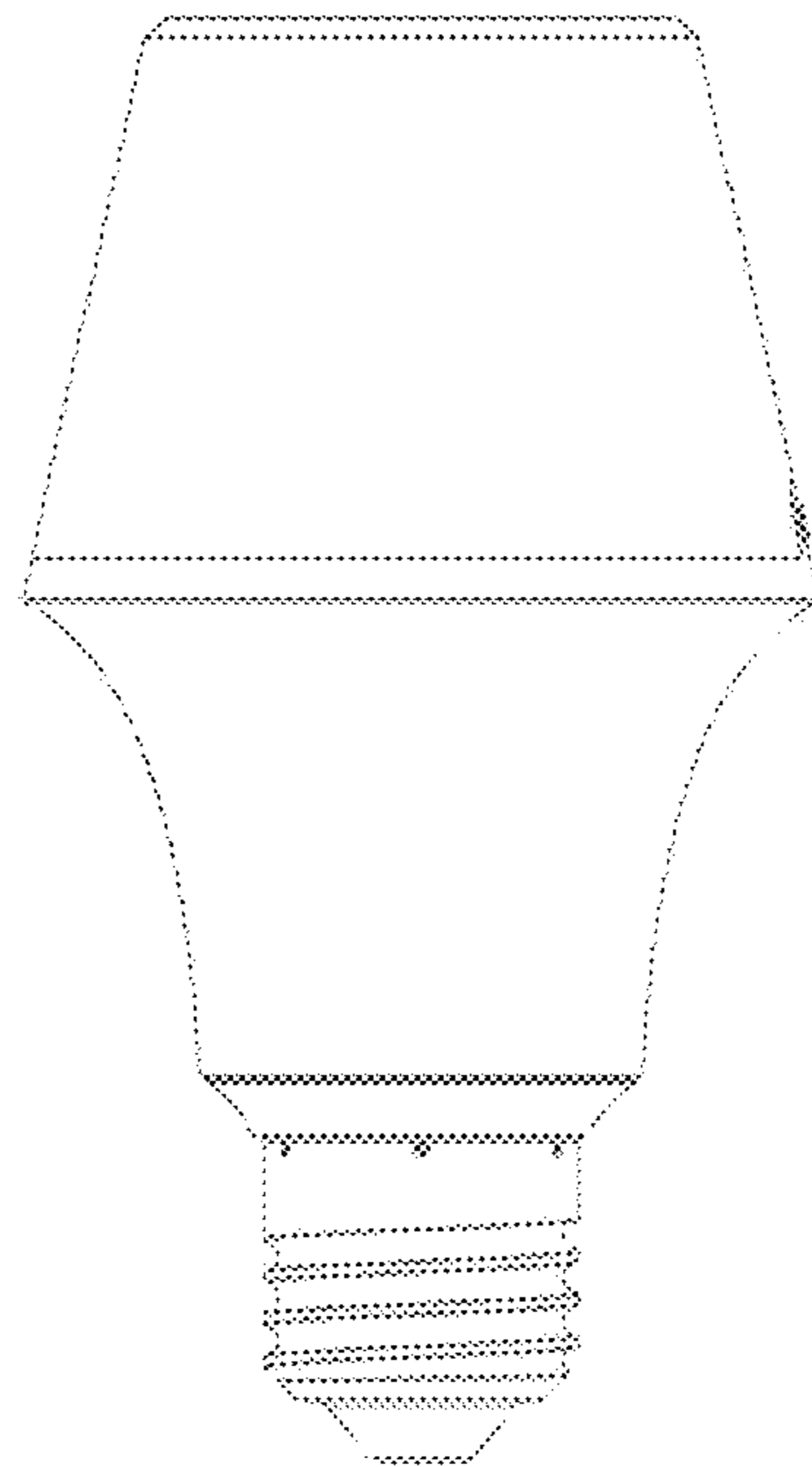


FIG. 4

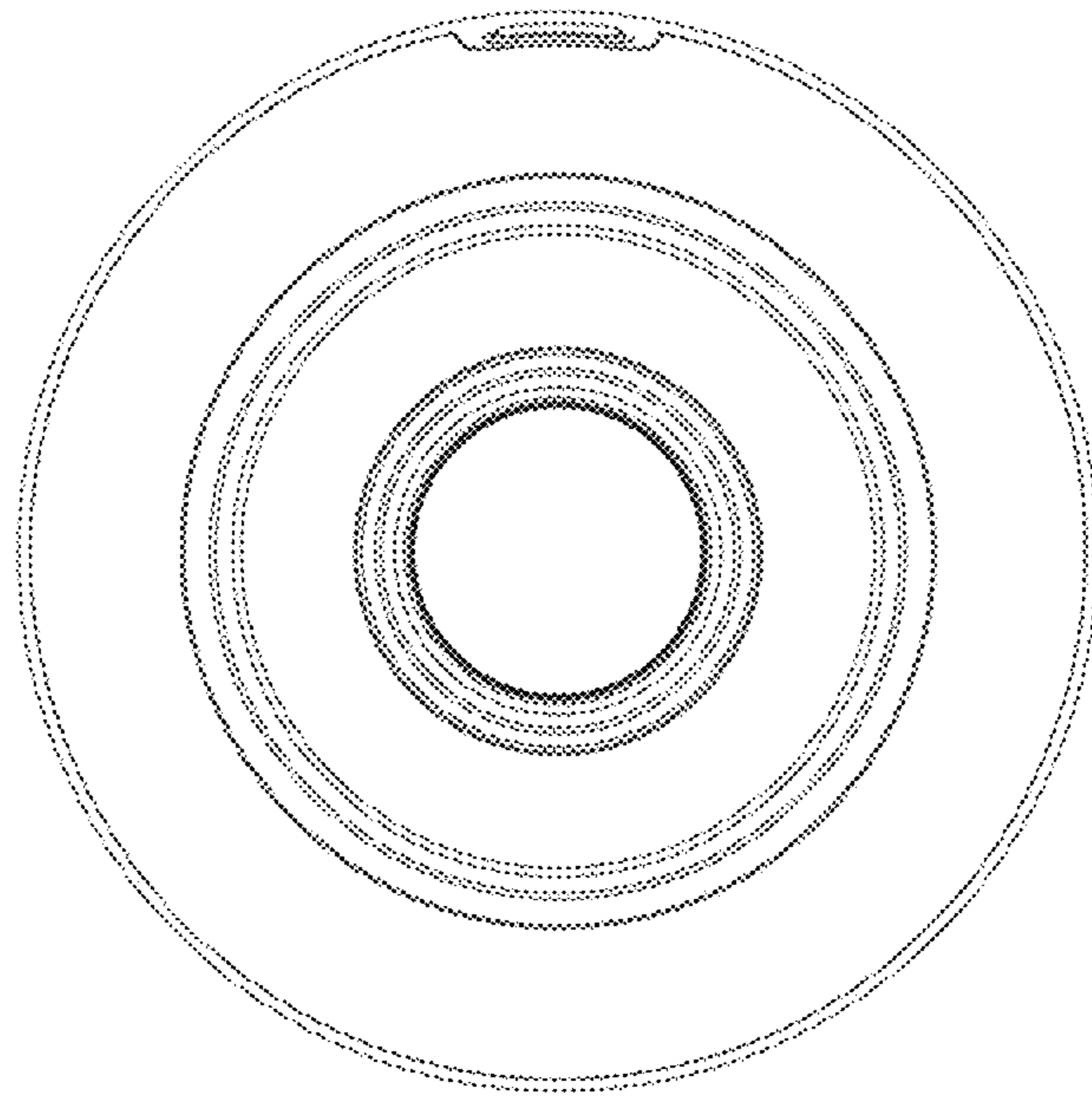


FIG. 5

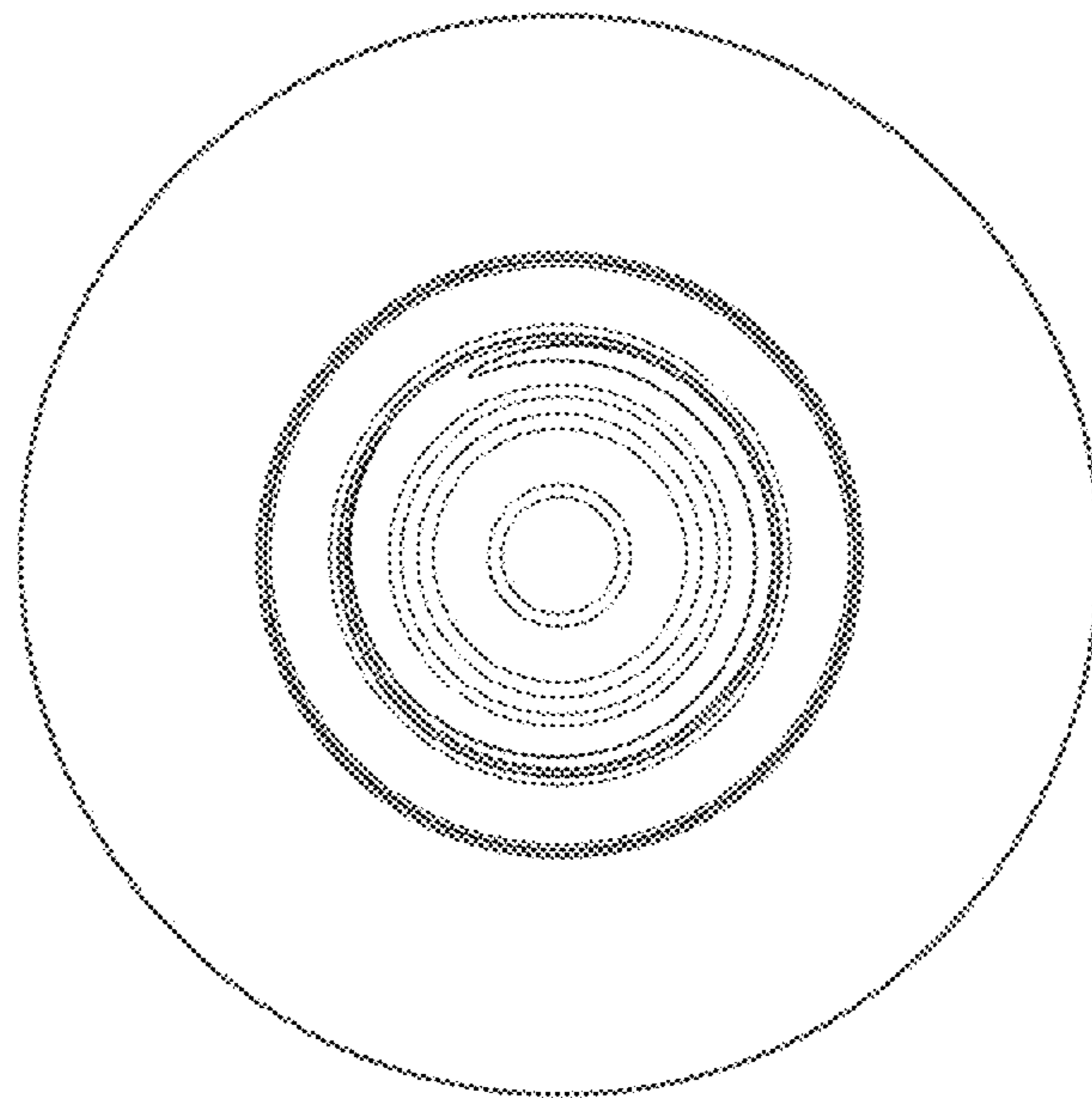


FIG. 6

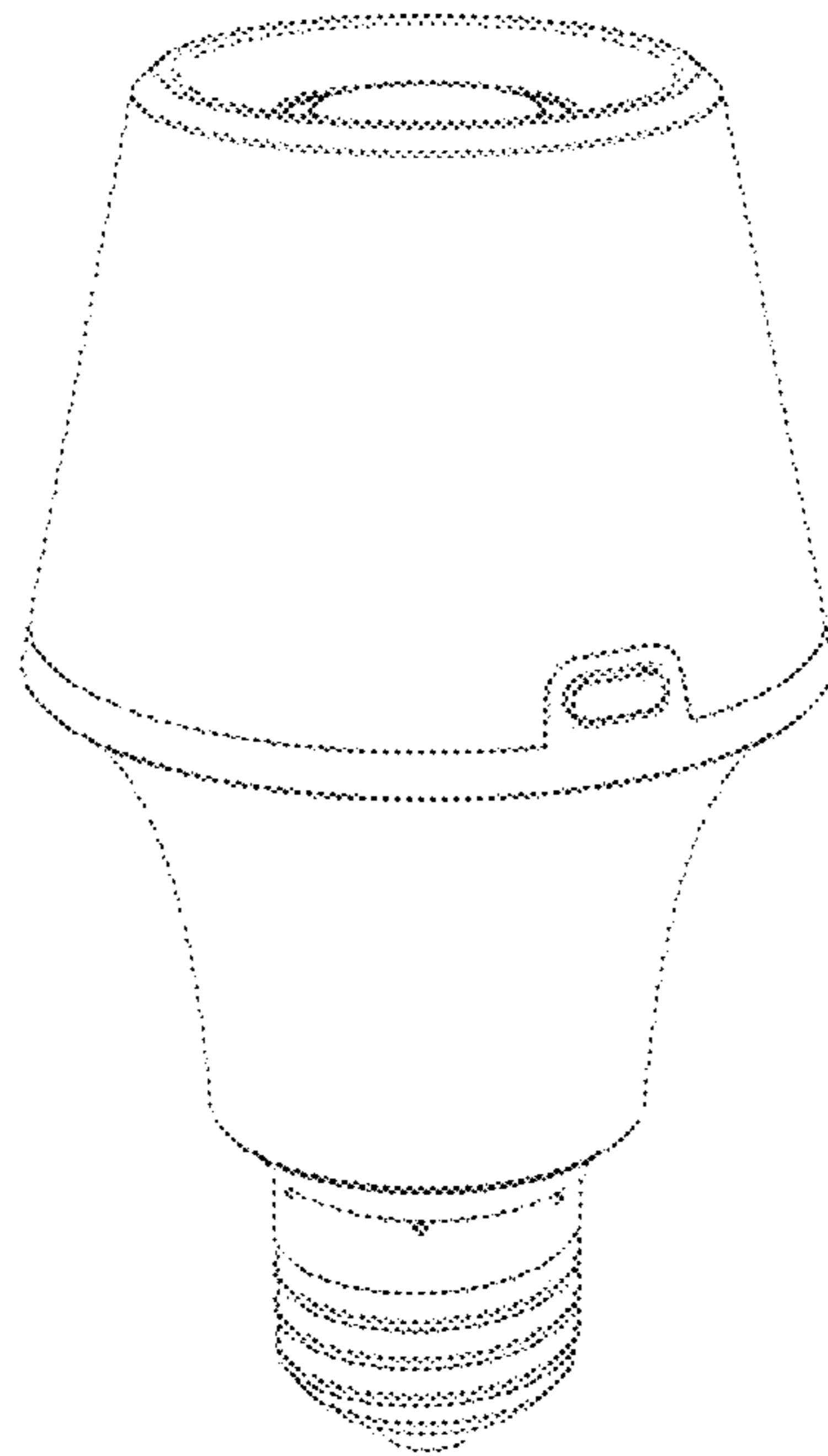


FIG. 7