



US00D818615S

(12) **United States Design Patent**
Bordin

(10) **Patent No.:** **US D818,615 S**

(45) **Date of Patent:** **** May 22, 2018**

(54) **THERMAL INSULATING PANEL FOR UNDERFLOOR HEATING**

(71) Applicant: **PROGRESS PROFILES SPA**, Asolo (IT)

(72) Inventor: **Dennis Bordin**, Asolo (IT)

(73) Assignee: **PROGRESS PROFILES SPA**, Asolo (IT)

(**) Term: **15 Years**

(21) Appl. No.: **29/580,897**

(22) Filed: **Oct. 13, 2016**

(30) **Foreign Application Priority Data**

Apr. 13, 2016 (EM) 003067388

(51) **LOC (11) Cl.** **25-01**

(52) **U.S. Cl.**
USPC **D25/158; D25/138**

(58) **Field of Classification Search**
USPC D25/138, 142, 144, 152, 153, 156, 157, D25/158, 159, 160, 161, 163, 199
CPC H05B 3/00; F24D 3/12; F24D 3/14; F24D 3/142; F24D 3/146; F24D 13/02; E04C 2/52; E04F 15/185
See application file for complete search history.

(56) **References Cited**

U.S. PATENT DOCUMENTS

1,961,374 A * 6/1934 Mazer E04B 1/8409
181/292
D636,098 S * 4/2011 Reynolds D25/138

D706,459 S * 6/2014 Schluter D25/138
9,188,348 B2 * 11/2015 Larson F24D 13/024
D747,503 S * 1/2016 Reynolds D25/158
D773,697 S * 12/2016 Amend D25/157
9,719,265 B2 * 8/2017 Bordin E04F 15/185
9,726,383 B1 * 8/2017 Bordin F24D 3/142
D797,957 S * 9/2017 Larson D25/160
2016/0061355 A1 * 3/2016 Sherman F24D 13/02
29/428
2017/0073980 A1 * 3/2017 Szonok E04F 21/00
2017/0307229 A1 * 10/2017 Larson E04F 15/185

* cited by examiner

Primary Examiner — Vy N Koenig

Assistant Examiner — Kimberly Barnes

(74) *Attorney, Agent, or Firm* — Cantor Colburn LLP

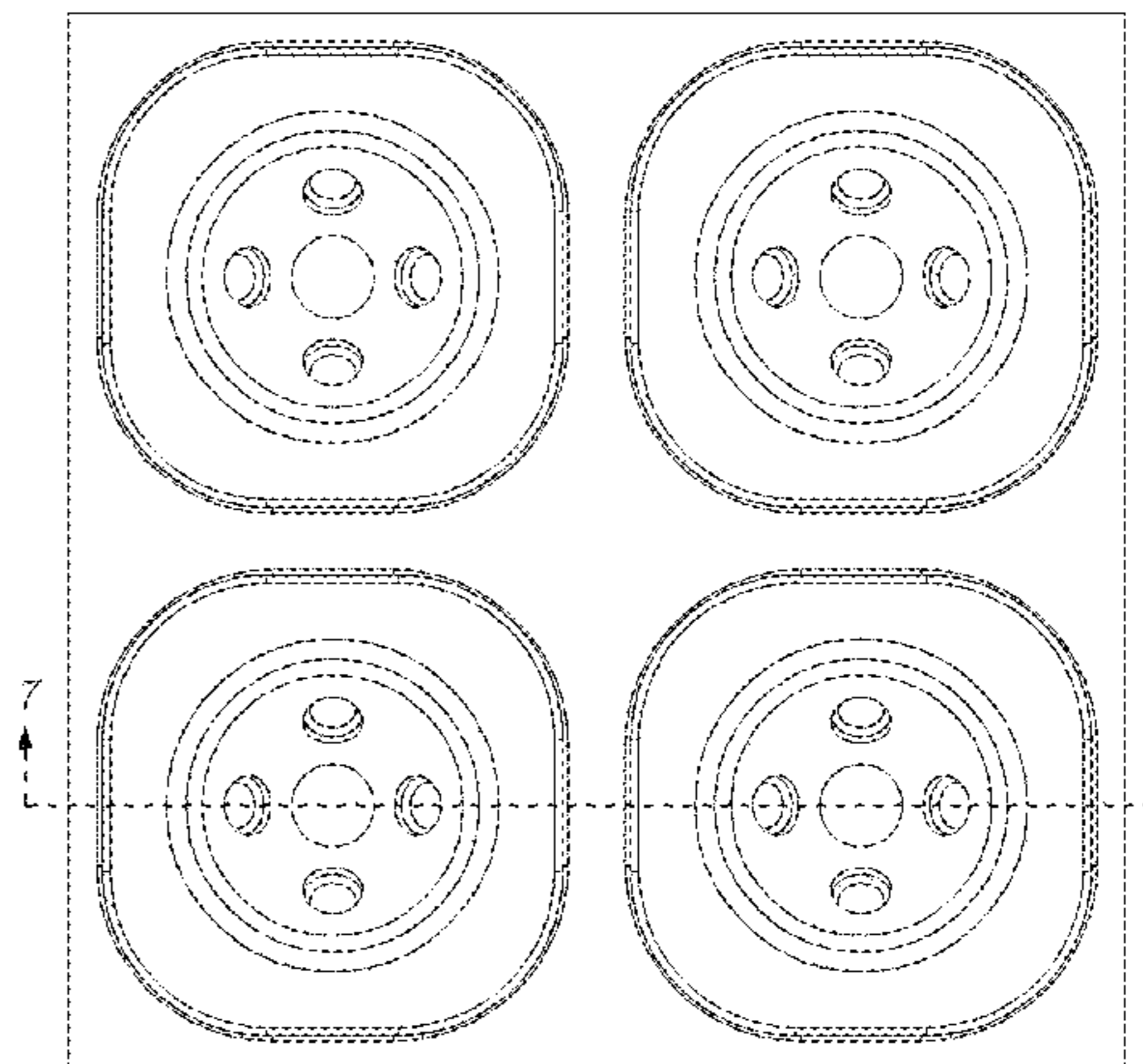
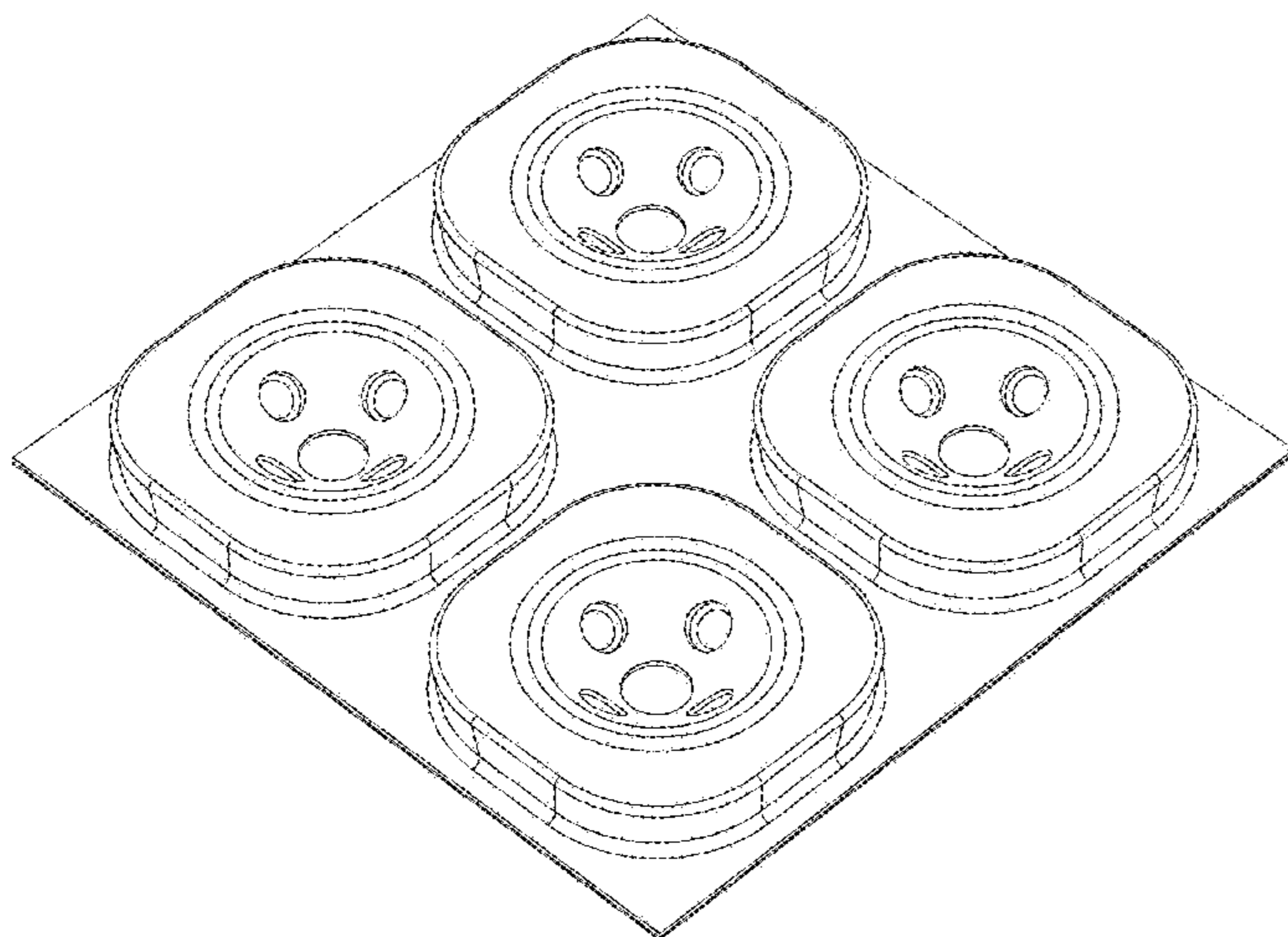
(57) **CLAIM**

The ornamental design for a thermal insulating panel for underfloor heating, as shown and described.

DESCRIPTION

FIG. 1 is a perspective view of a thermal insulating panel for underfloor heating, showing my new design;
FIG. 2 is a front elevation view thereof;
FIG. 3 is a rear elevation view thereof;
FIG. 4 is a left side elevation view thereof;
FIG. 5 is a top plan view thereof;
FIG. 6 is a bottom plan view thereof;
FIG. 7 is a cross-sectional view taken along line 7-7 in FIG. 5; and,
FIG. 8 is a right side elevation view thereof.

1 Claim, 5 Drawing Sheets



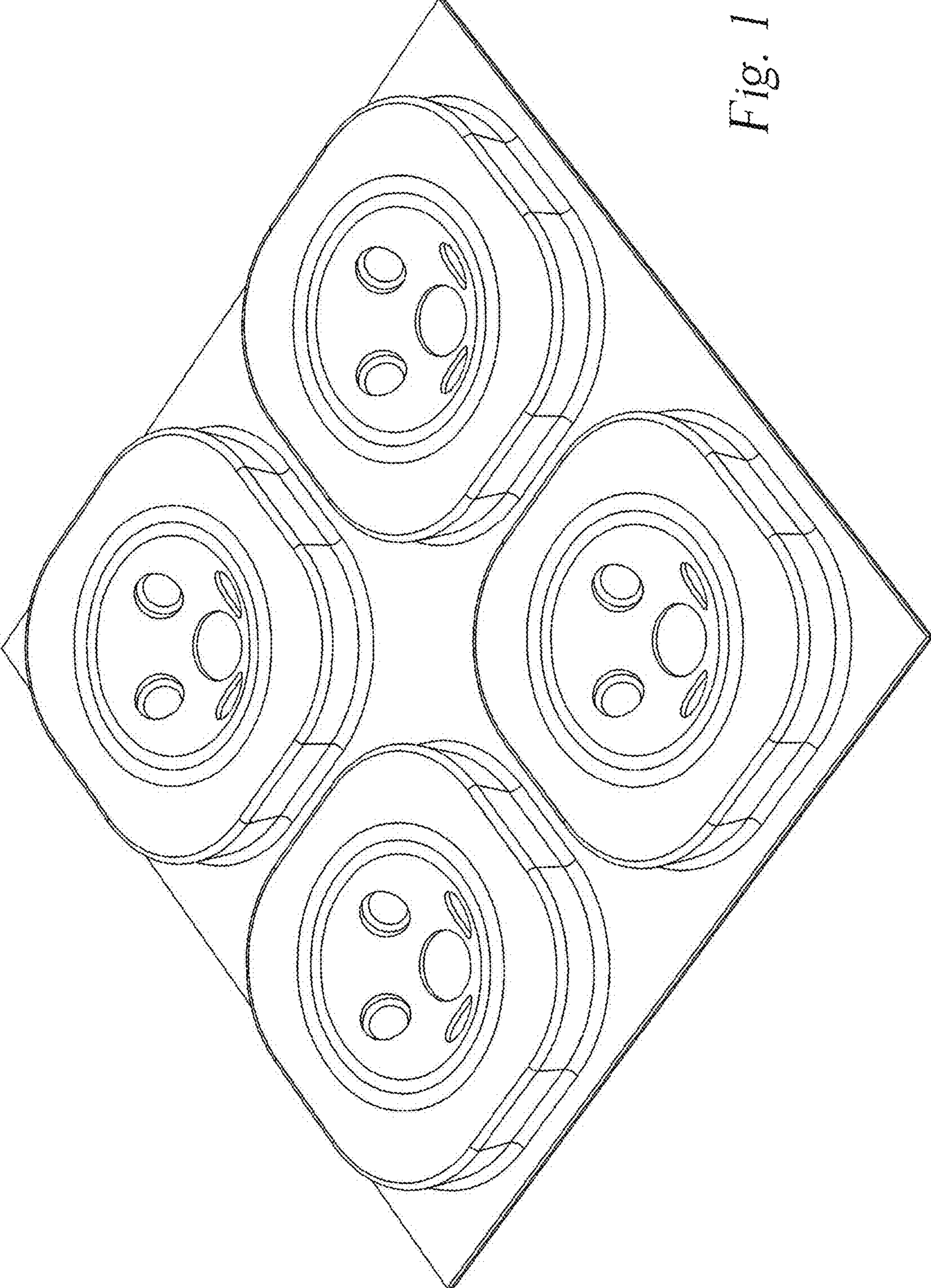


Fig. 1

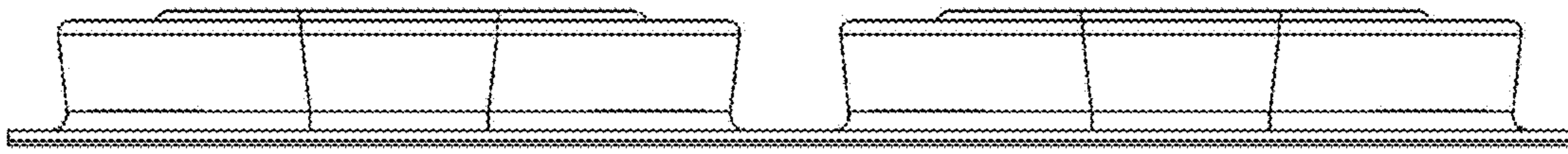


Fig. 2

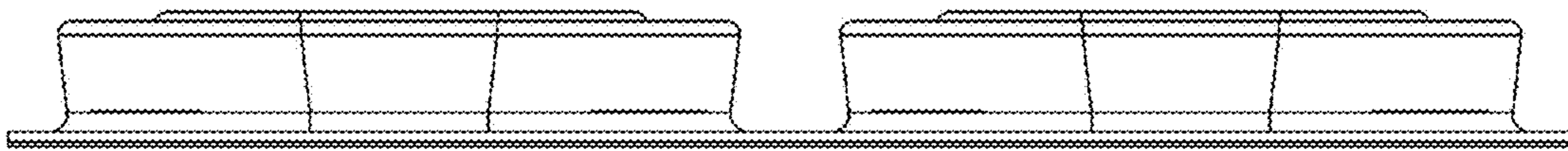


Fig. 3

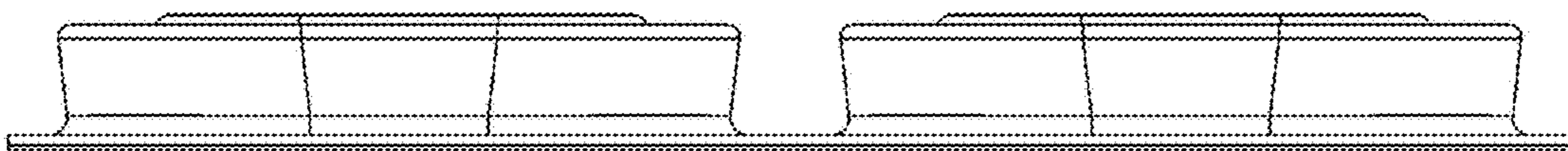


Fig. 4

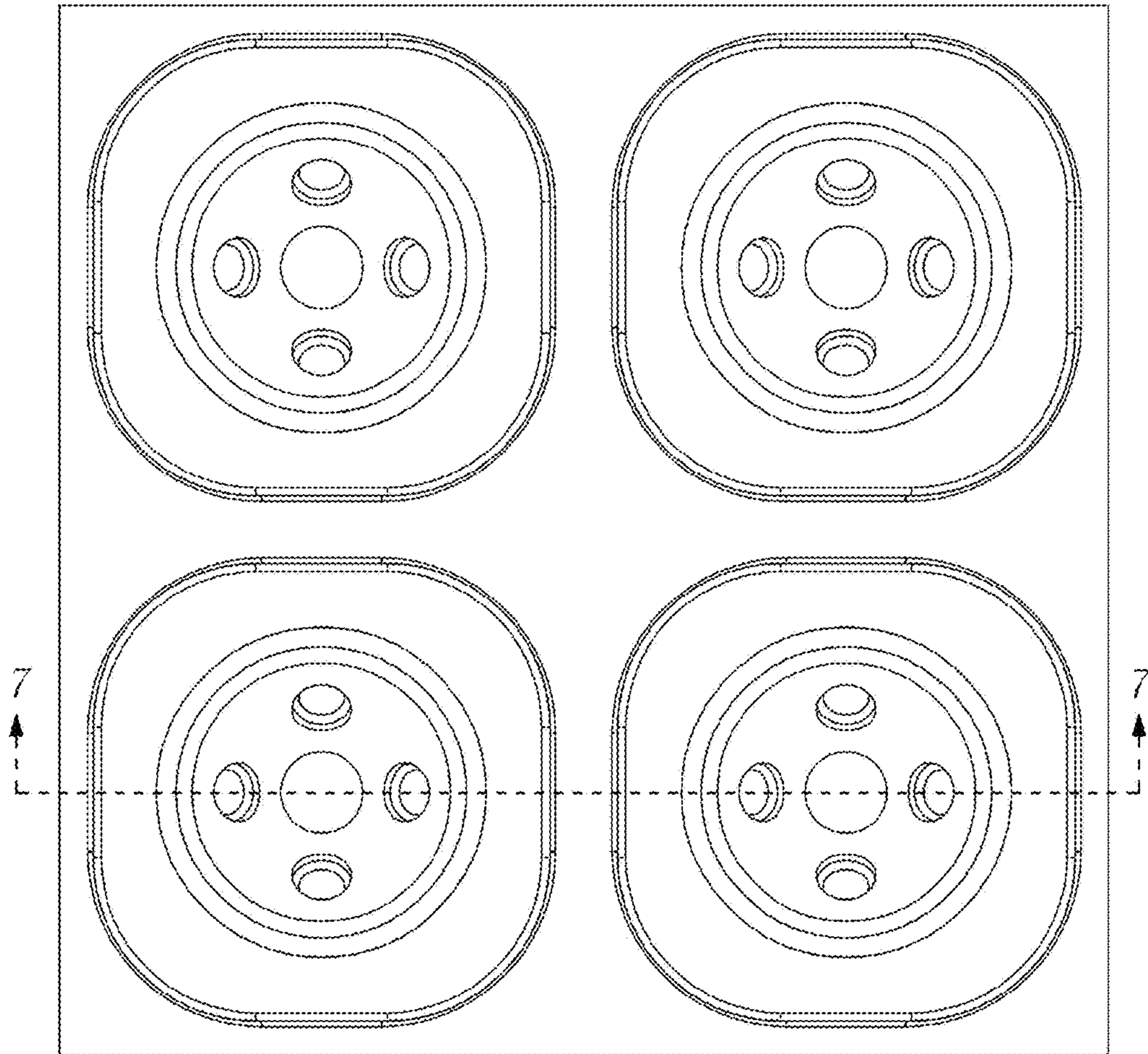


Fig. 5

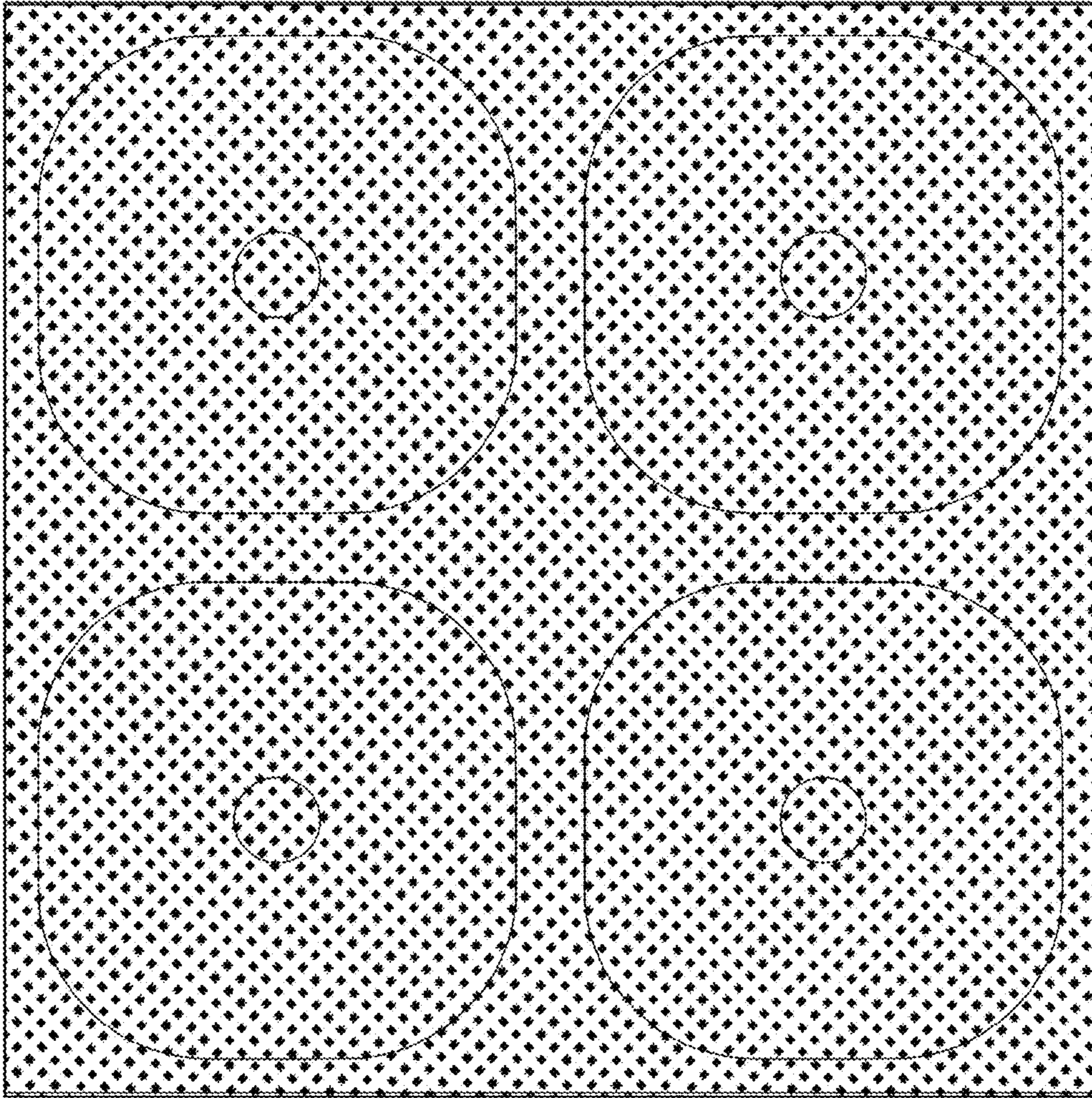


Fig. 6

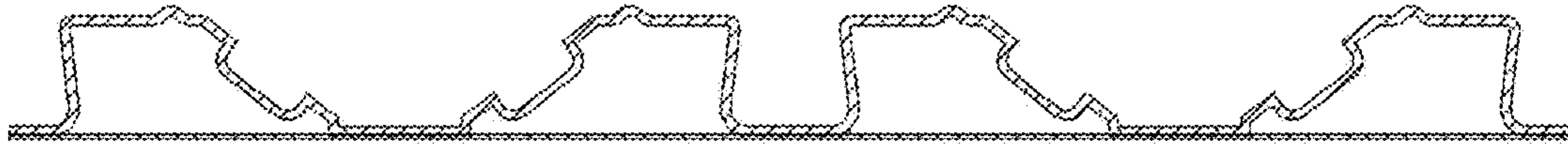


Fig. 7

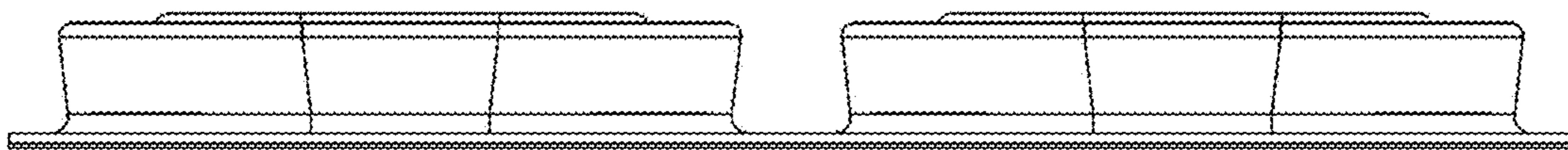


Fig. 8