



US00D818610S

(12) **United States Design Patent** (10) **Patent No.:** **US D818,610 S**
Lanzafame (45) **Date of Patent:** **** May 22, 2018**

(54) **LADDER QUICK CONNECT BASE UNIT**

D615,725 S * 5/2010 Phillips D25/68

(71) Applicant: **Philip F. Lanzafame**, Bellevue, WA (US)

* cited by examiner

(72) Inventor: **Philip F. Lanzafame**, Bellevue, WA (US)

Primary Examiner — Cynthia Ramirez

Assistant Examiner — Gino Colan

(73) Assignee: **Philip F. Lanzafame**, Poulsbo, WA (US)

(74) *Attorney, Agent, or Firm* — Carlos P. Garritano; Tucker Ellis LLP

(**) Term: **15 Years**

(57) **CLAIM**

The ornamental design for a ladder quick connect base unit, as shown and described.

(21) Appl. No.: **29/594,869**

DESCRIPTION

(22) Filed: **Feb. 23, 2017**

(51) **LOC (11) Cl.** **25-04**

(52) **U.S. Cl.**
USPC **D25/68**

(58) **Field of Classification Search**
USPC D25/62–65, 68; 182/204, 107, 201, 111,
182/203, 200, 109, 108, 110, 178.4, 205;
248/188.9
CPC E06C 7/46; E06C 7/44; E06C 7/42; E06C
7/426; E06C 1/10
See application file for complete search history.

FIG. 1 is a rear perspective view of a ladder quick connect base unit showing my new design;
FIG. 2 is a front perspective view of the base unit illustrated in FIG. 1;
FIG. 3 is a back view of the base unit illustrated in FIG. 1;
FIG. 4 is front view of the base unit illustrated in FIG. 1,
FIG. 5 is a top view of the base unit illustrated in FIG. 1;
FIG. 6 is a bottom view of the base unit illustrated in FIG. 1;
FIG. 7 is a right side view of the base unit illustrated in FIG. 1;
FIG. 8 is a left side view of the base unit illustrated in FIG. 1;
FIG. 9 is a perspective in use view of the base unit illustrated in FIG. 1; and,
FIG. 10 a side perspective in use view of the base unit illustrated in FIG. 9.

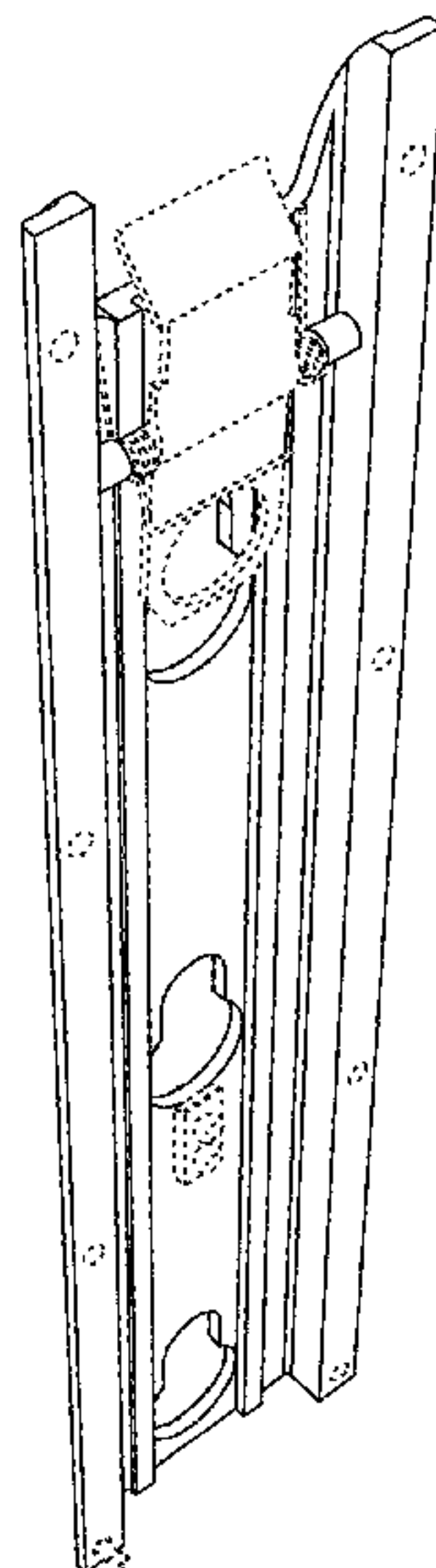
The dotted lines in FIGS. 1 through 10 are for the purpose of illustrating portions of the ladder quick connect base unit and form no part of the claimed design. The broken lines showing a portion of a ladder and flooring in FIGS. 9 and 10 are for the purpose of illustrating environment and form no part of the claimed design.

(56) **References Cited**

U.S. PATENT DOCUMENTS

5,064,024	A	*	11/1991	Barham	E06C 7/44
						182/111
D341,664	S	*	11/1993	Newkirk	D25/68
D371,608	S	*	7/1996	Mintz	D25/68
5,678,656	A	*	10/1997	Lanzafame	E06C 7/44
						182/111
5,845,744	A	*	12/1998	Beck	E06C 7/44
						182/109
D498,855	S	*	11/2004	Dean	D25/68
D584,422	S	*	1/2009	Dangrow	D25/68
D586,000	S	*	2/2009	Latimer	D25/65

1 Claim, 6 Drawing Sheets



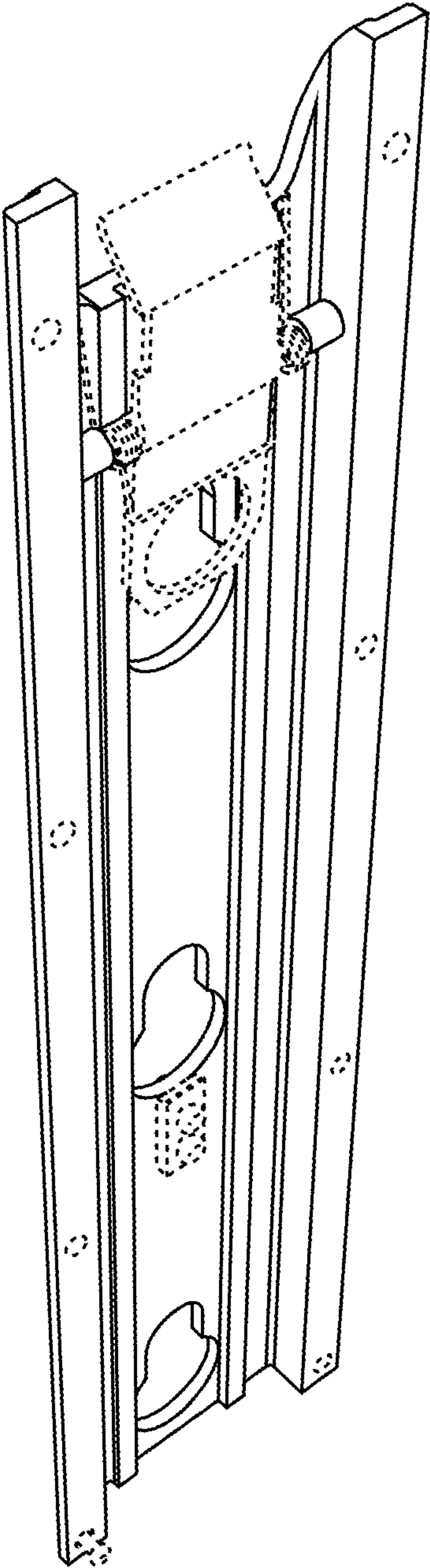


FIG. 1

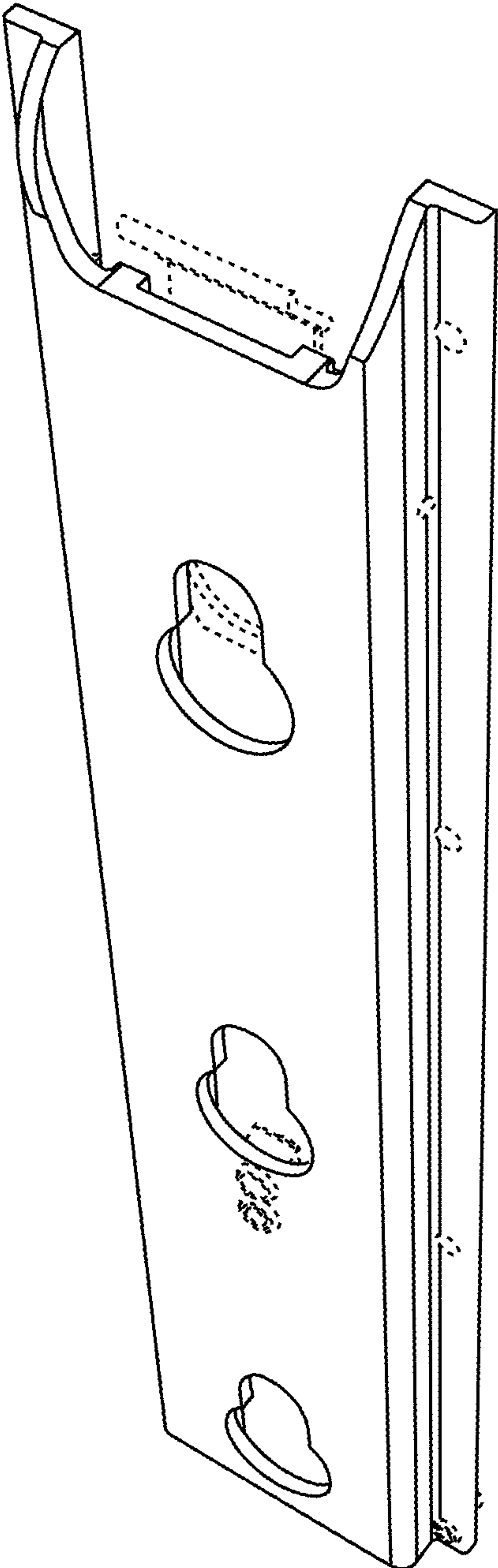


FIG. 2

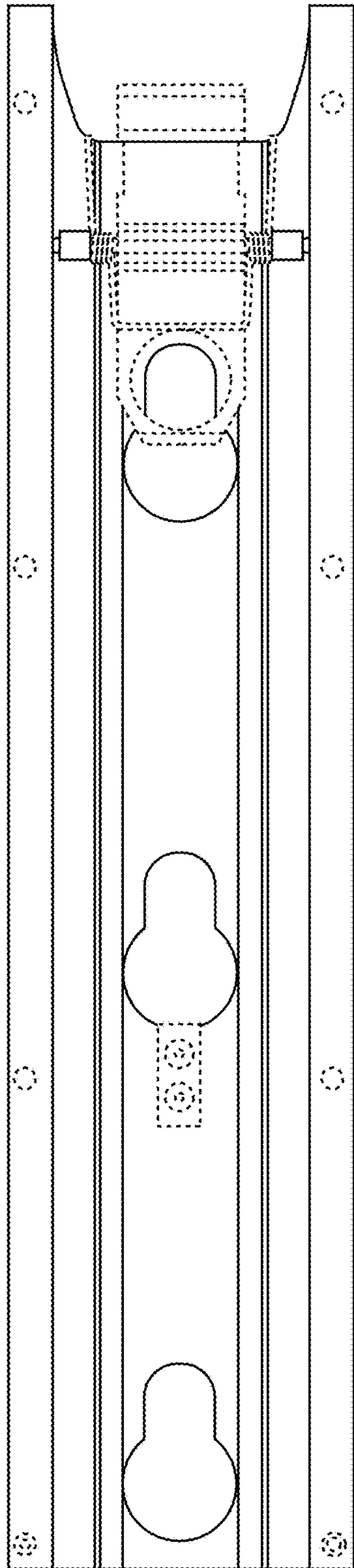


FIG. 3

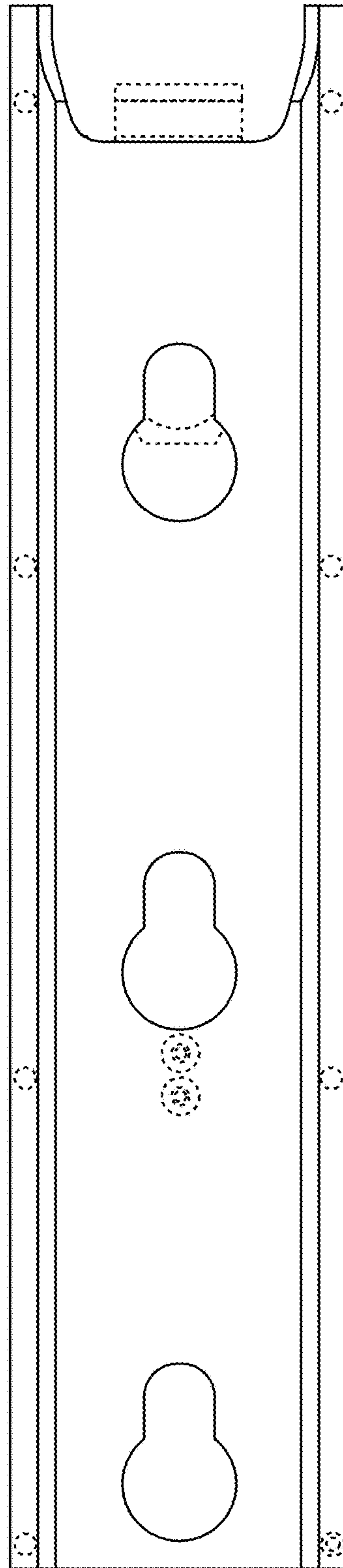


FIG. 4

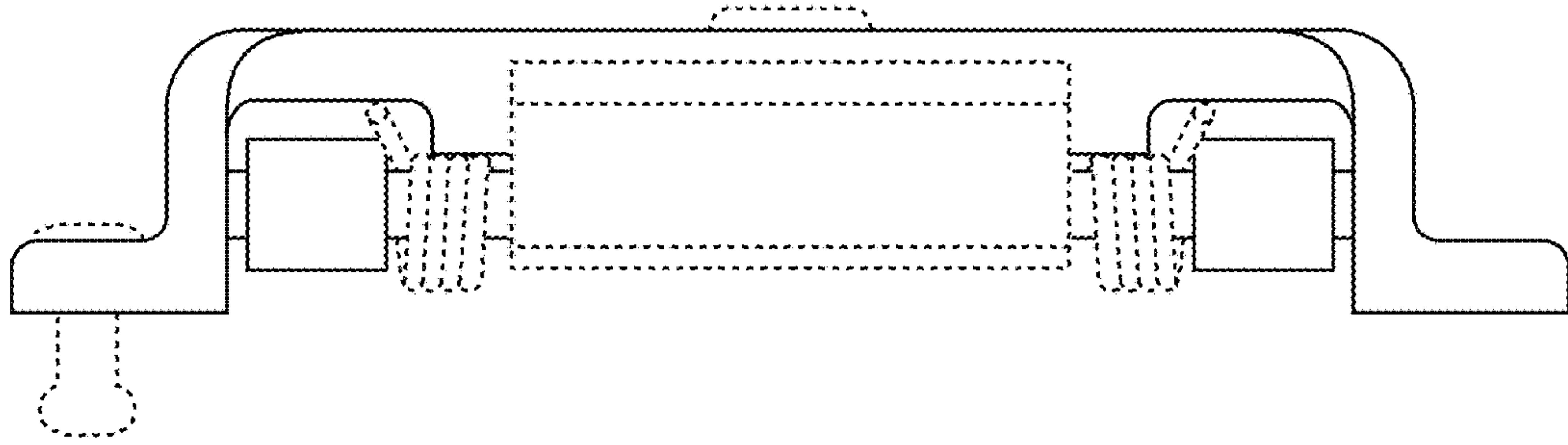


FIG. 5

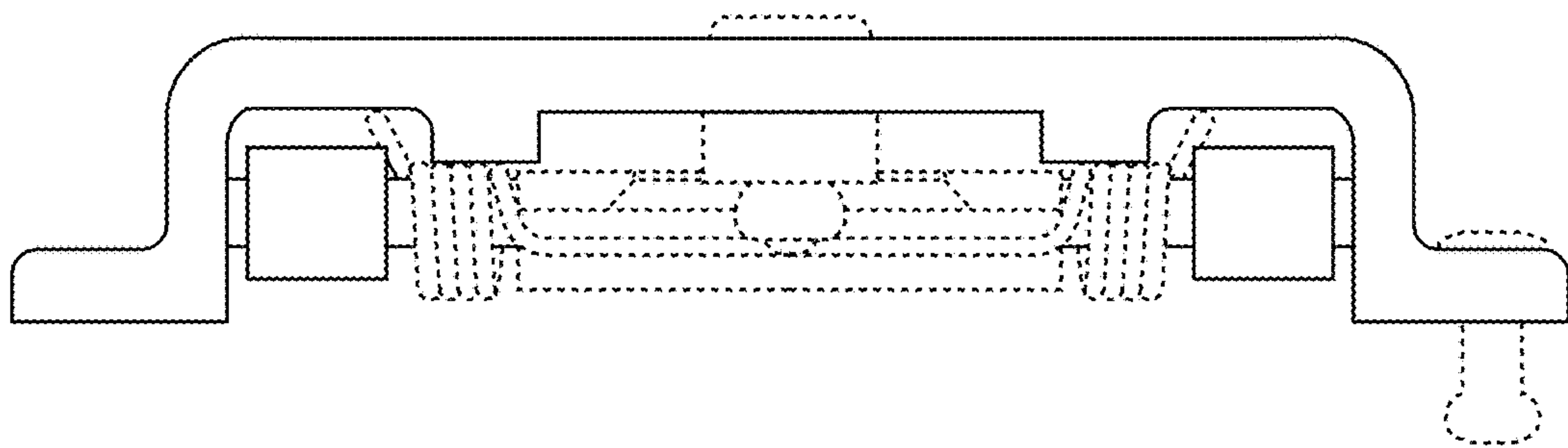


FIG. 6

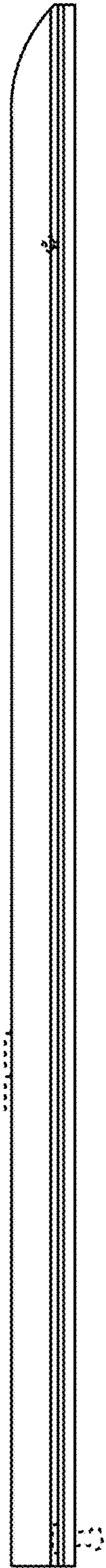


FIG. 7

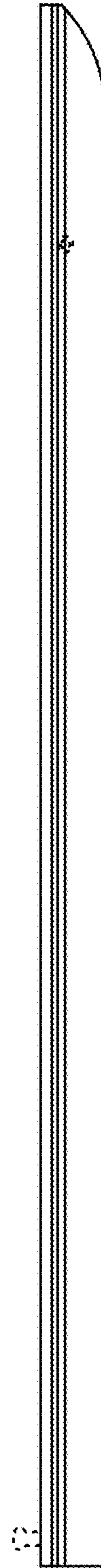


FIG. 8

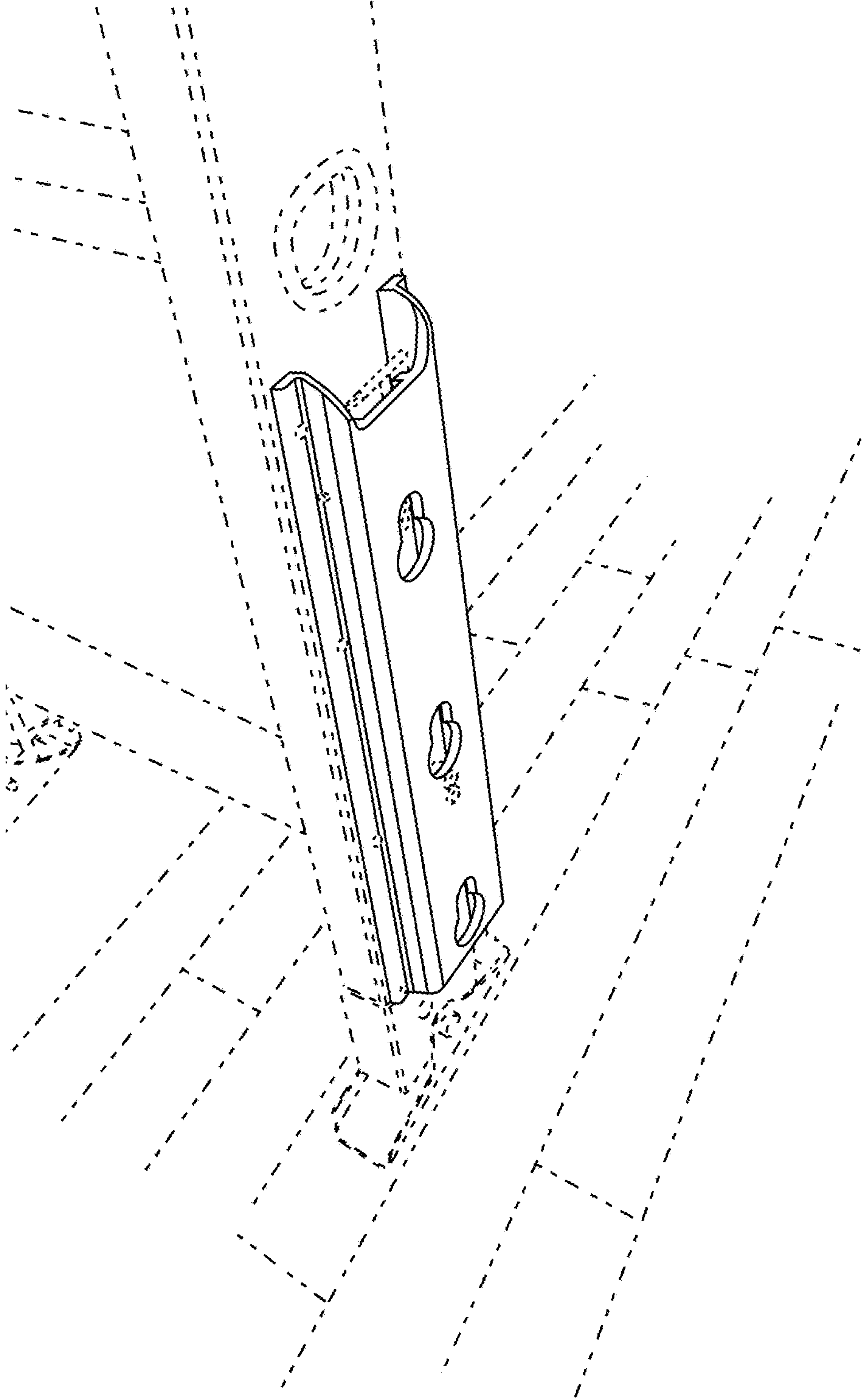


FIG. 9

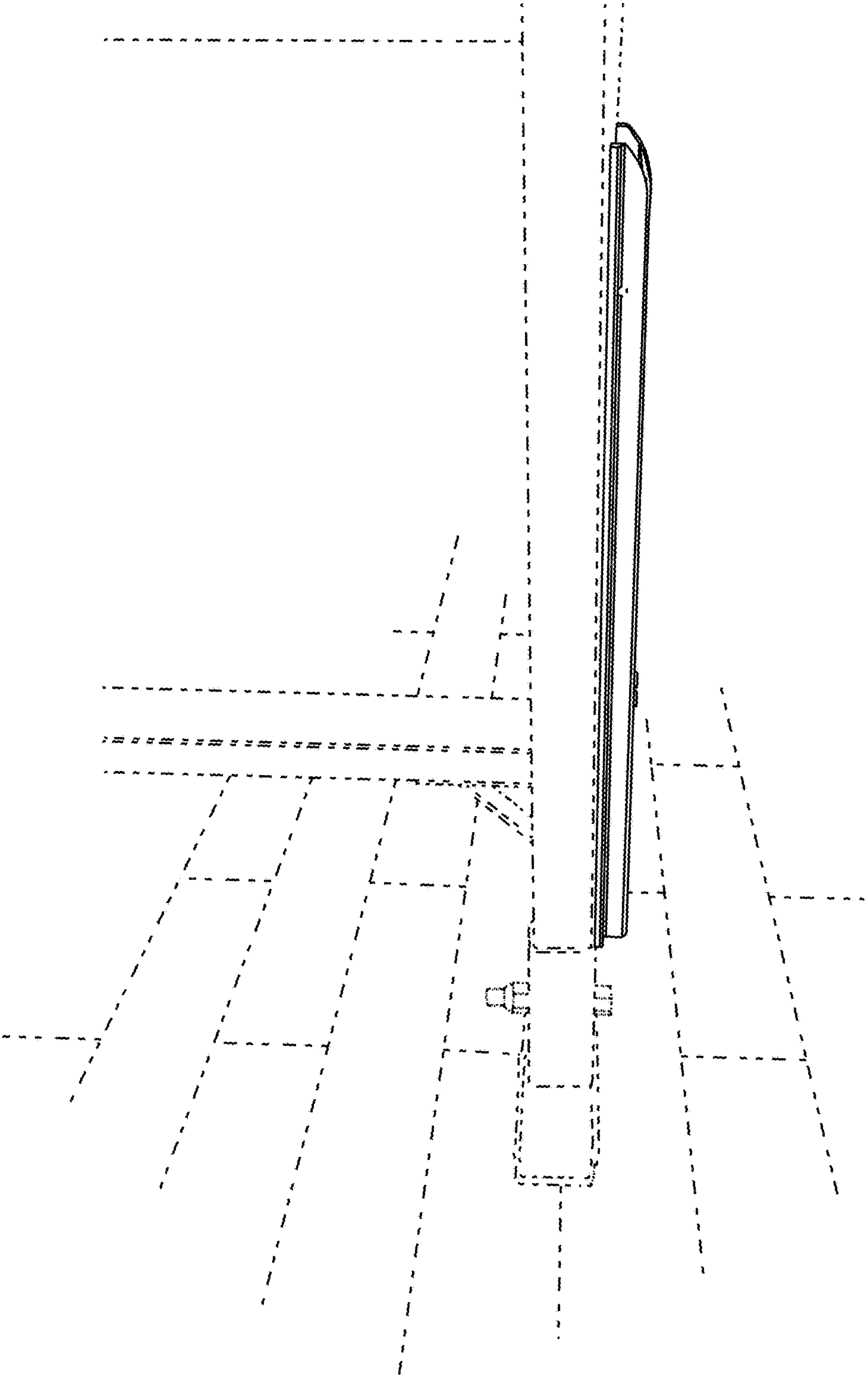


FIG. 10