



US00D818604S

(12) **United States Design Patent** (10) **Patent No.:** **US D818,604 S**
Smith et al. (45) **Date of Patent:** **** May 22, 2018**

(54) **TRAY AND LID SET FOR SYRINGES AND MEDICATIONS**

FOREIGN PATENT DOCUMENTS

CN 201847785 U 6/2011

(71) Applicant: **SAFE CARE TOOLS, LLC**, Xenia, OH (US)

OTHER PUBLICATIONS

(72) Inventors: **Revonna Smith**, Xenia, OH (US); **Kevin Brinton**, Reading, PA (US); **Grant Cothrel**, Cincinnati, OH (US); **Mark Cruz**, Reading, PA (US); **Harold Linville**, Tipp City, OH (US); **Jack Randall**, Dayton, OH (US)

Reynolds, Steven A.; Office Action for U.S. Appl. No. 15/155,529; U.S. Patent and Trademark Office; Alexandria, VA; dated Nov. 17, 2016.

(Continued)

(73) Assignee: **SAFE CARE TOOLS, LLC**, Xenia, OH (US)

Primary Examiner — Ian Simmons
Assistant Examiner — Mark Cavanna

(74) *Attorney, Agent, or Firm* — Thomas E. Lees, LLC

(**) Term: **15 Years**

(57) **CLAIM**

The ornamental design for a tray and lid set for syringes and medications, as shown and described.

(21) Appl. No.: **29/594,314**

DESCRIPTION

(22) Filed: **Feb. 17, 2017**

Related U.S. Application Data

(63) Continuation-in-part of application No. 14/823,055, filed on Aug. 11, 2015, which is a (Continued)

(51) **LOC (11) Cl.** **24-02**

(52) **U.S. Cl.**
USPC **D24/229**

(58) **Field of Classification Search**
USPC D24/216–232, 121, 176, 123;
D3/203.1–203.8, 304, 313; D9/424–425,
(Continued)

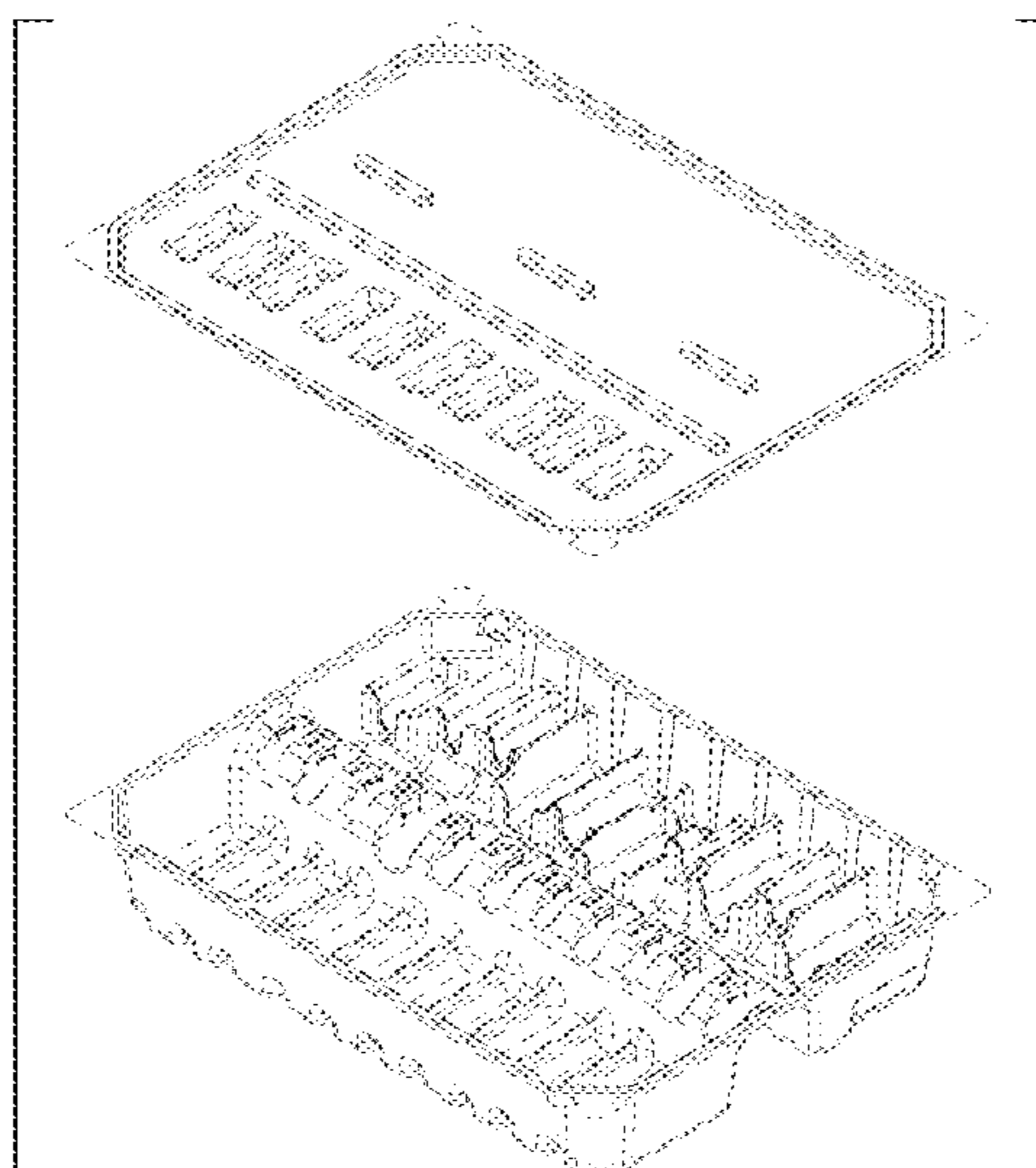
(56) **References Cited**

U.S. PATENT DOCUMENTS

1,980,141 A 11/1934 MacGregor
3,133,635 A 5/1964 Gordon et al.
(Continued)

FIG. 1 is an exploded perspective view of a tray and lid set for syringes and medications showing our new design. FIG. 2 is a perspective view of the tray element of the tray and lid set for syringes and medications shown separately for clarity of illustration. FIG. 3 is a front view thereof. FIG. 4 is a back view thereof. FIG. 5 is a top view thereof. FIG. 6 is a bottom view thereof. FIG. 7 is a left side view thereof. FIG. 8 is a right side view thereof. FIG. 9 is a perspective view of the lid element of the tray and lid set for syringes and medications shown separately for clarity of illustration. FIG. 11 is a back view thereof. FIG. 12 is a top view thereof. FIG. 13 is a bottom view thereof. FIG. 14 is a left side view thereof; and, FIG. 15 is a right side view thereof.

1 Claim, 11 Drawing Sheets



Related U.S. Application Data

continuation-in-part of application No. 15/155,529,
filed on May 16, 2016.

(58) **Field of Classification Search**

USPC D9/758–759; 206/363–366, 369–370,
206/557–558, 564, 569–572; 220/553;
422/26, 28; 53/443, 492; 604/19, 154,
604/159, 170
CPC A61B 17/00491; A61B 17/0469; A61B
50/30; A61B 50/3001; A61B 50/31; A61B
50/33; A61B 50/34; A61B 50/36; A61J
7/0069; A61L 2/0011; A61L 2/26; A61M
25/00; A61M 25/002; A61M 5/002;
A61M 5/008; A61M 5/1456; A61M 5/19;
A61M 5/3205; B01L 3/502753; B01L
3/502738

See application file for complete search history.

(56) **References Cited**

U.S. PATENT DOCUMENTS

3,305,084 A 2/1967 Higgins et al.
3,489,268 A 1/1970 Meierhoefer
4,015,709 A 4/1977 Millet
D248,871 S * 8/1978 Forsman D24/230
4,195,734 A 4/1980 Boner et al.
4,383,615 A 5/1983 Aquino
4,846,797 A * 7/1989 Howson A61M 5/1456
604/154
4,863,451 A 9/1989 Marder
4,961,500 A * 10/1990 Coulombe A61M 5/008
206/366
5,007,535 A 4/1991 Meseke et al.
5,024,326 A * 6/1991 Sandel A61B 50/3001
206/364
5,031,768 A * 7/1991 Fischer A61B 50/31
206/364
D334,973 S * 4/1993 Valentine D24/227
D337,830 S * 7/1993 Coyne D24/227
5,318,543 A * 6/1994 Ross A61B 17/0469
206/571
D430,015 S * 8/2000 Himbert D24/227

D438,634 S * 3/2001 Merry D24/227
6,216,885 B1 4/2001 Guillaume
6,540,072 B1 4/2003 Fischer
D498,851 S * 11/2004 Halbich D24/227
7,308,985 B2 12/2007 Riley
D613,418 S 4/2010 Ryan et al.
8,177,064 B2 * 5/2012 McCormick A61B 50/33
206/370
8,672,881 B2 3/2014 Nagamatsu
D708,347 S * 7/2014 Lober D24/227
D726,330 S * 4/2015 Hurst D24/227
D742,028 S * 10/2015 Hutchison D24/227
D779,082 S * 2/2017 Andre D24/229
D788,936 S * 6/2017 Schill D24/229
D788,937 S * 6/2017 Schill D24/229
D800,337 S * 10/2017 Daines D24/227
2002/0108875 A1 8/2002 Feinberg et al.
2002/0185406 A1 12/2002 Massengale et al.
2004/0238391 A1 12/2004 Pond
2005/0101905 A1 * 5/2005 Merry A61M 5/008
604/19
2006/0042977 A1 3/2006 Sandel
2006/0264822 A1 11/2006 Nagamatsu
2006/0275336 A1 * 12/2006 Du Plessis A61L 2/0011
424/423
2010/0012537 A1 1/2010 Farrar et al.
2011/0155599 A1 6/2011 Yakel et al.
2011/0232234 A1 * 9/2011 Lockwood A61M 25/00
53/492
2013/0062245 A1 3/2013 Folchini et al.
2015/0060462 A1 * 3/2015 Colbert A61M 5/002
220/553
2016/0015456 A1 * 1/2016 Lober A61L 2/26
422/26
2016/0015457 A1 * 1/2016 Hurst A61M 5/008
206/370

OTHER PUBLICATIONS

Reynolds, Steven A.; Office Action for U.S. Appl. No. 14/823,055;
U.S. Patent and Trademark Office; Alexandria, VA; dated Nov. 18,
2016.

* cited by examiner

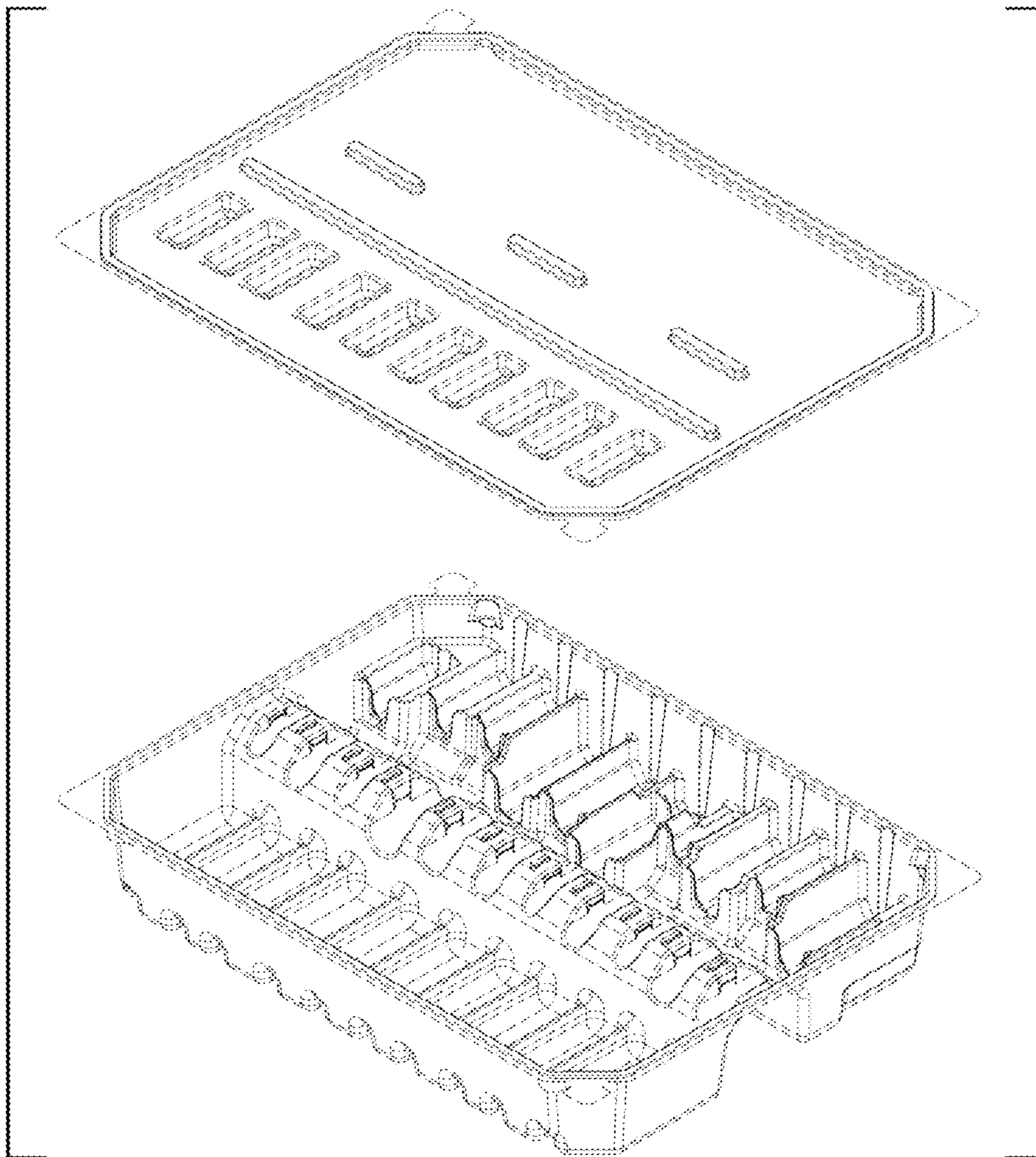


FIG. 1

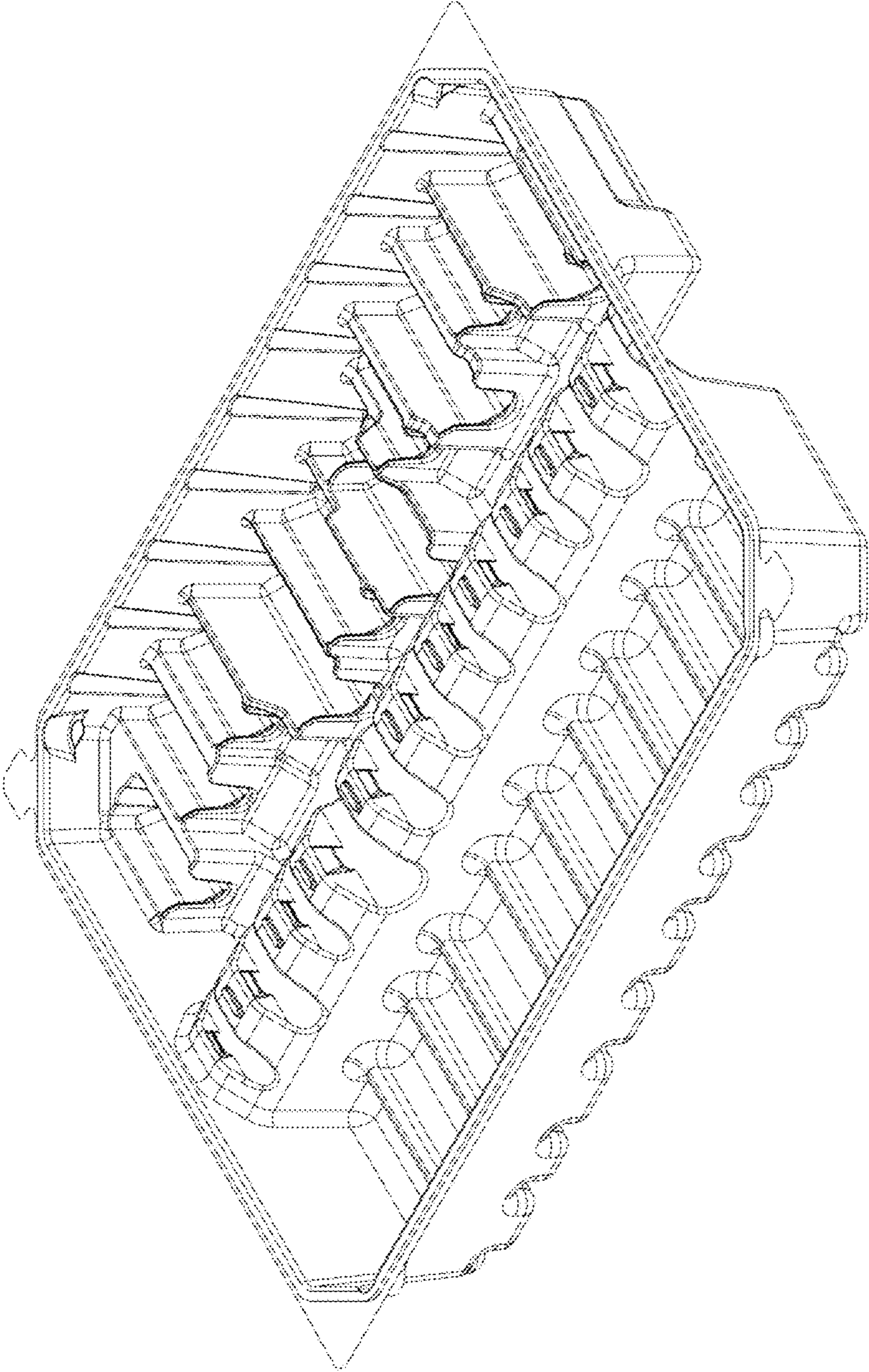


FIG. 2

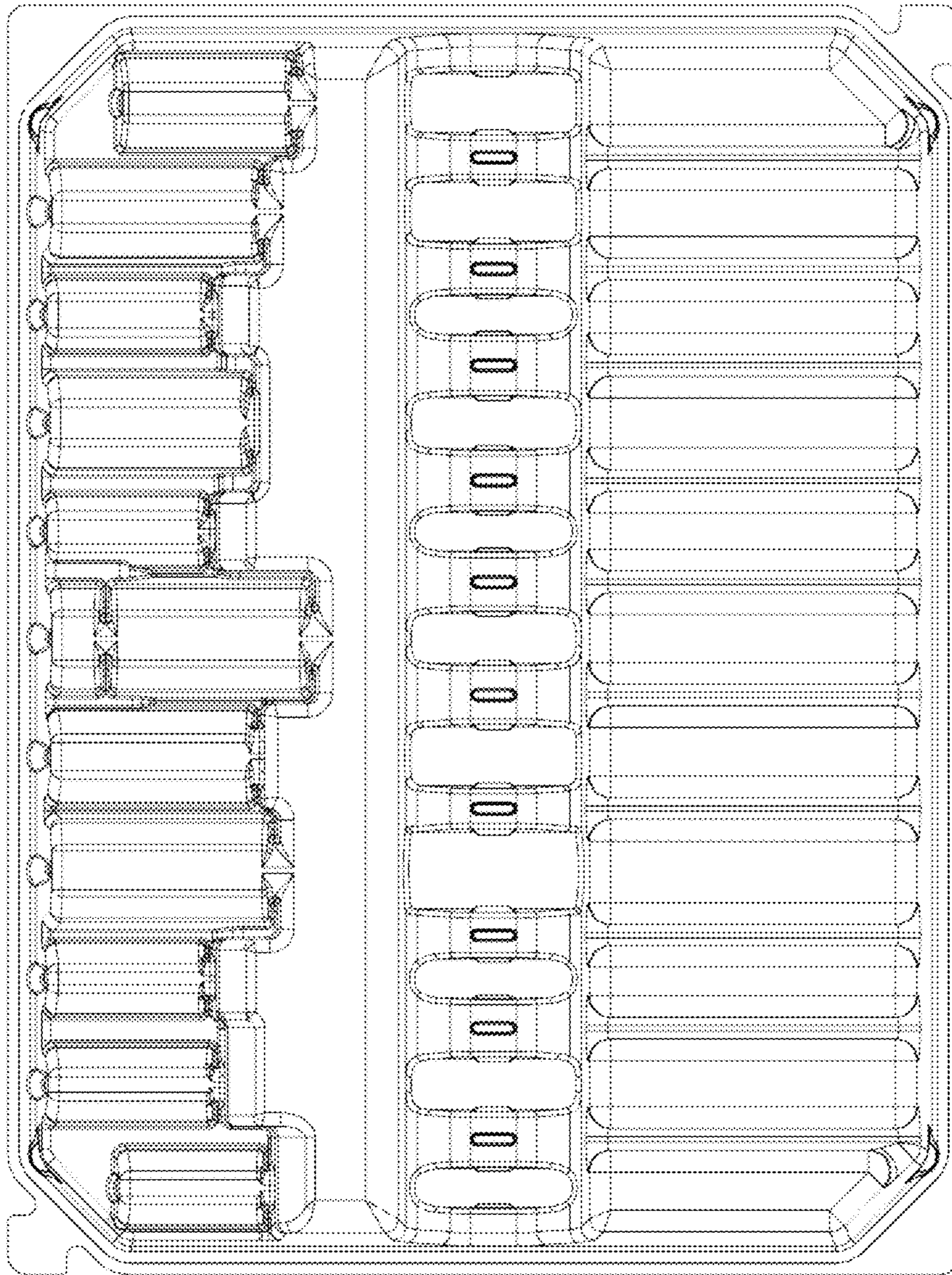


FIG. 3

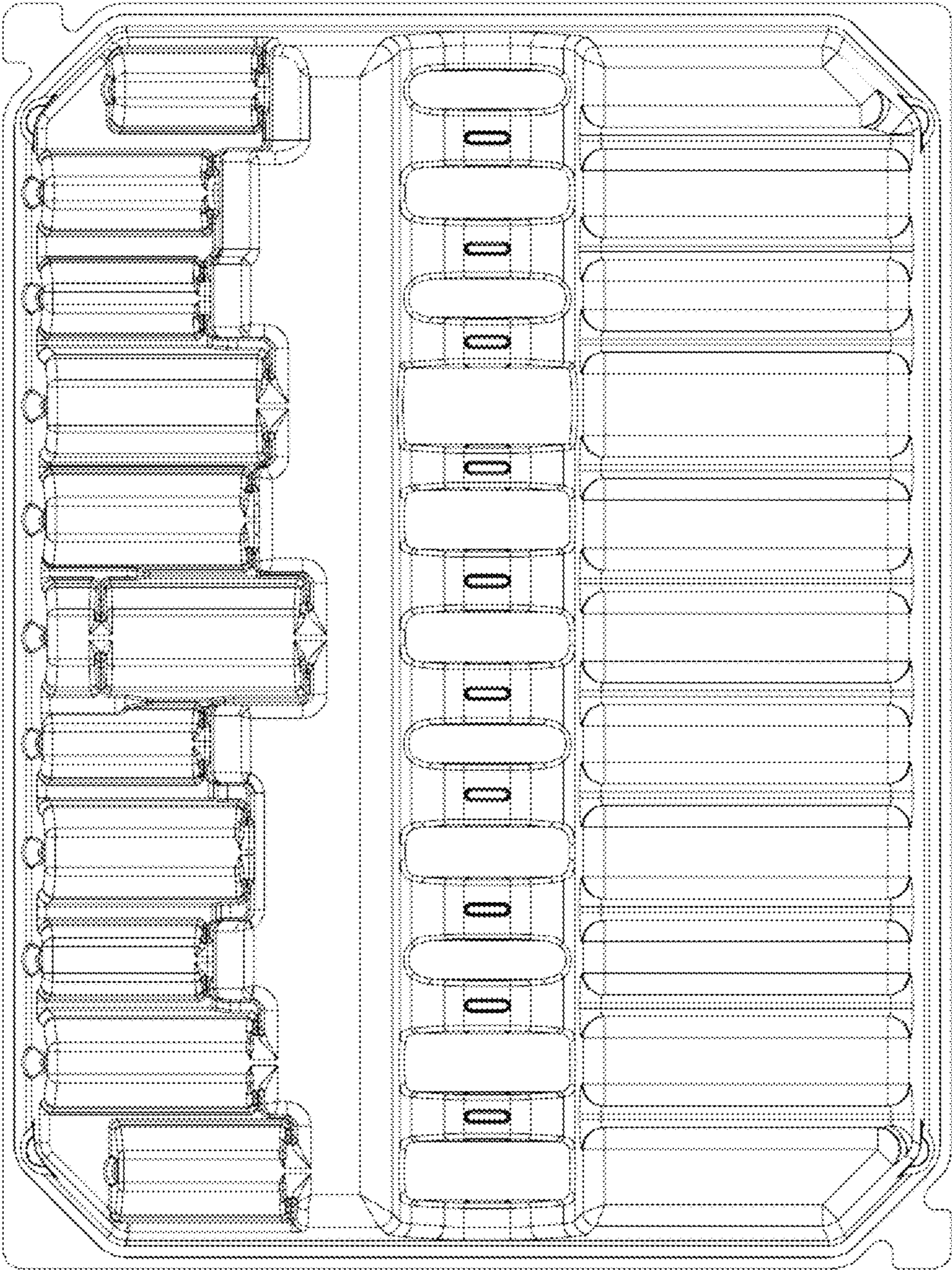


FIG. 4

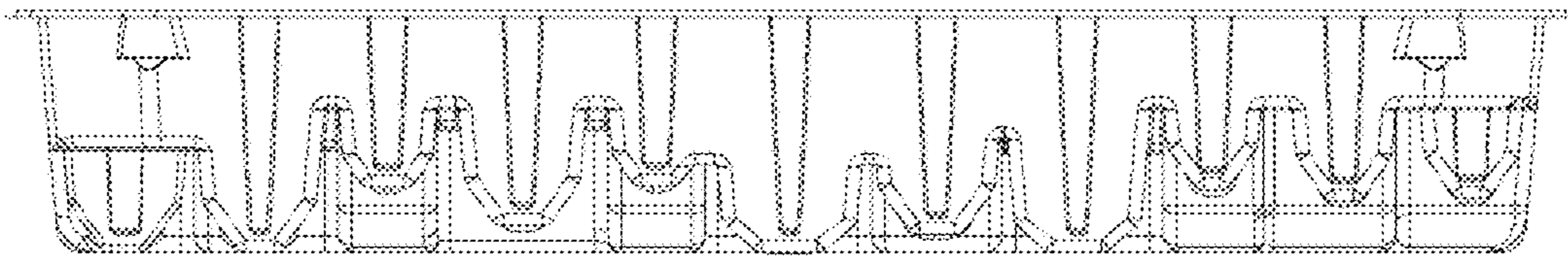


FIG. 5

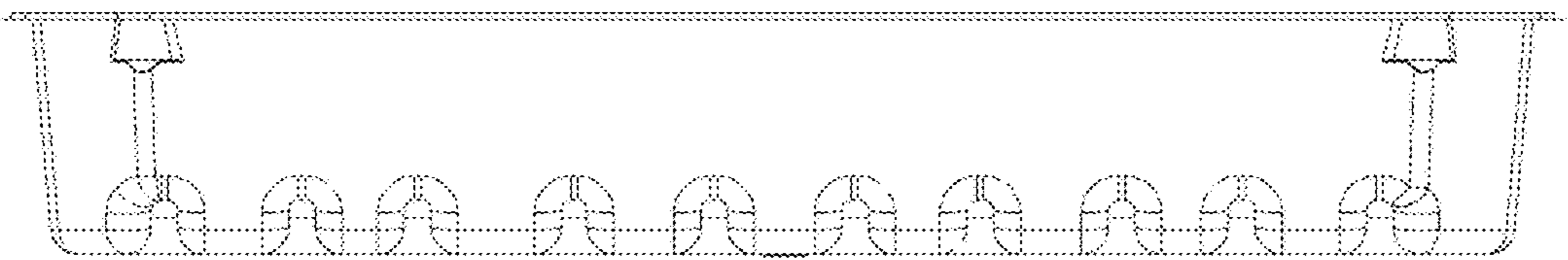


FIG. 6

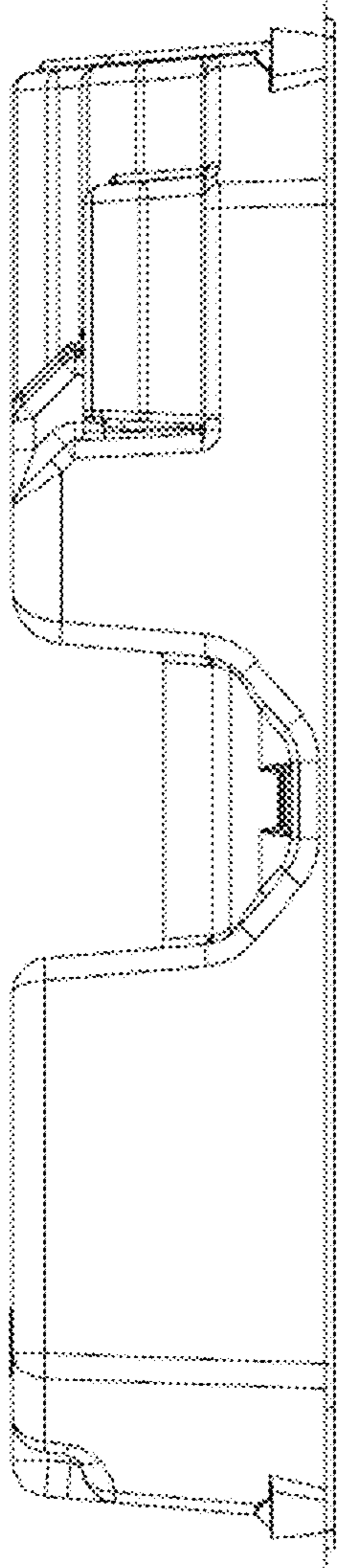


FIG. 7

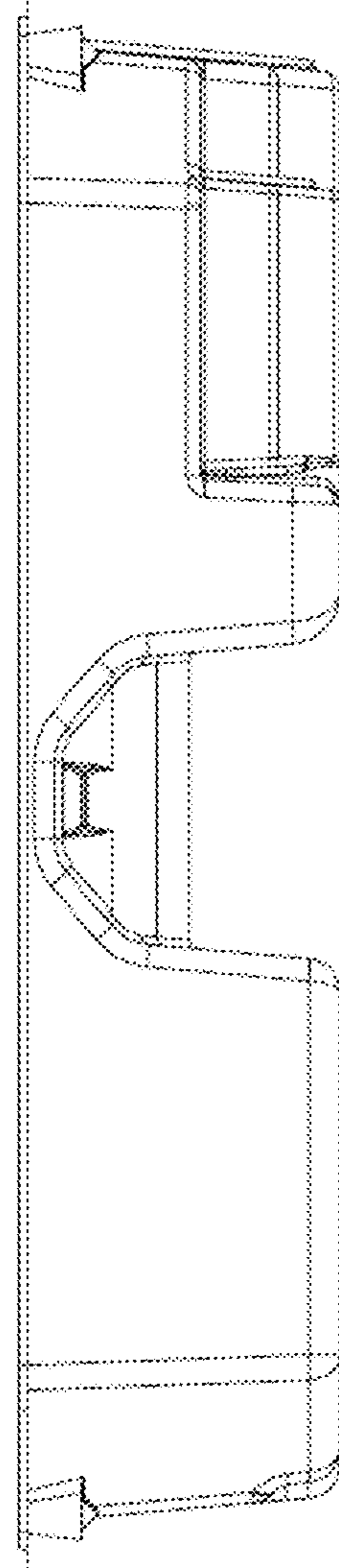


FIG. 8

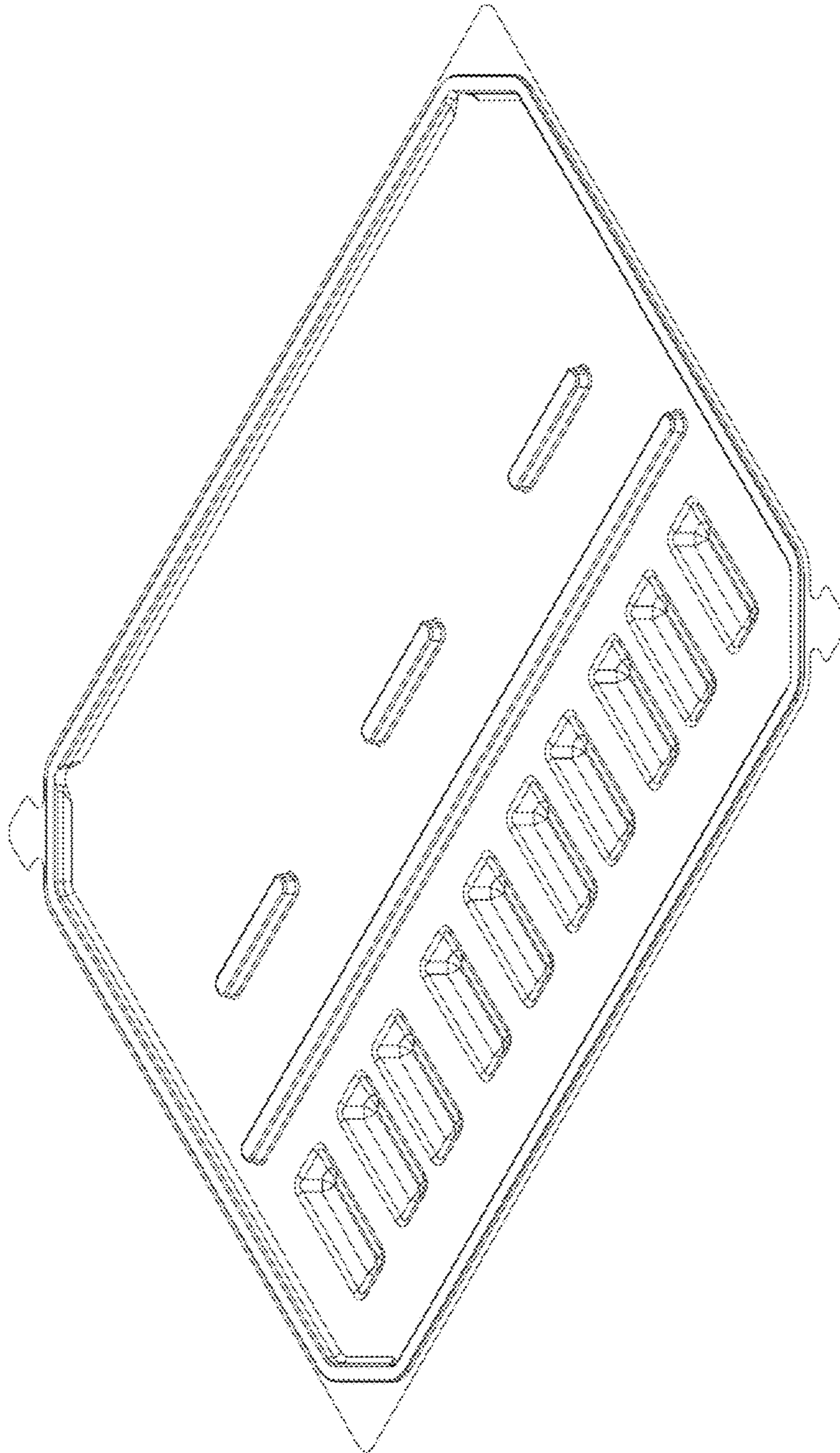


FIG. 9

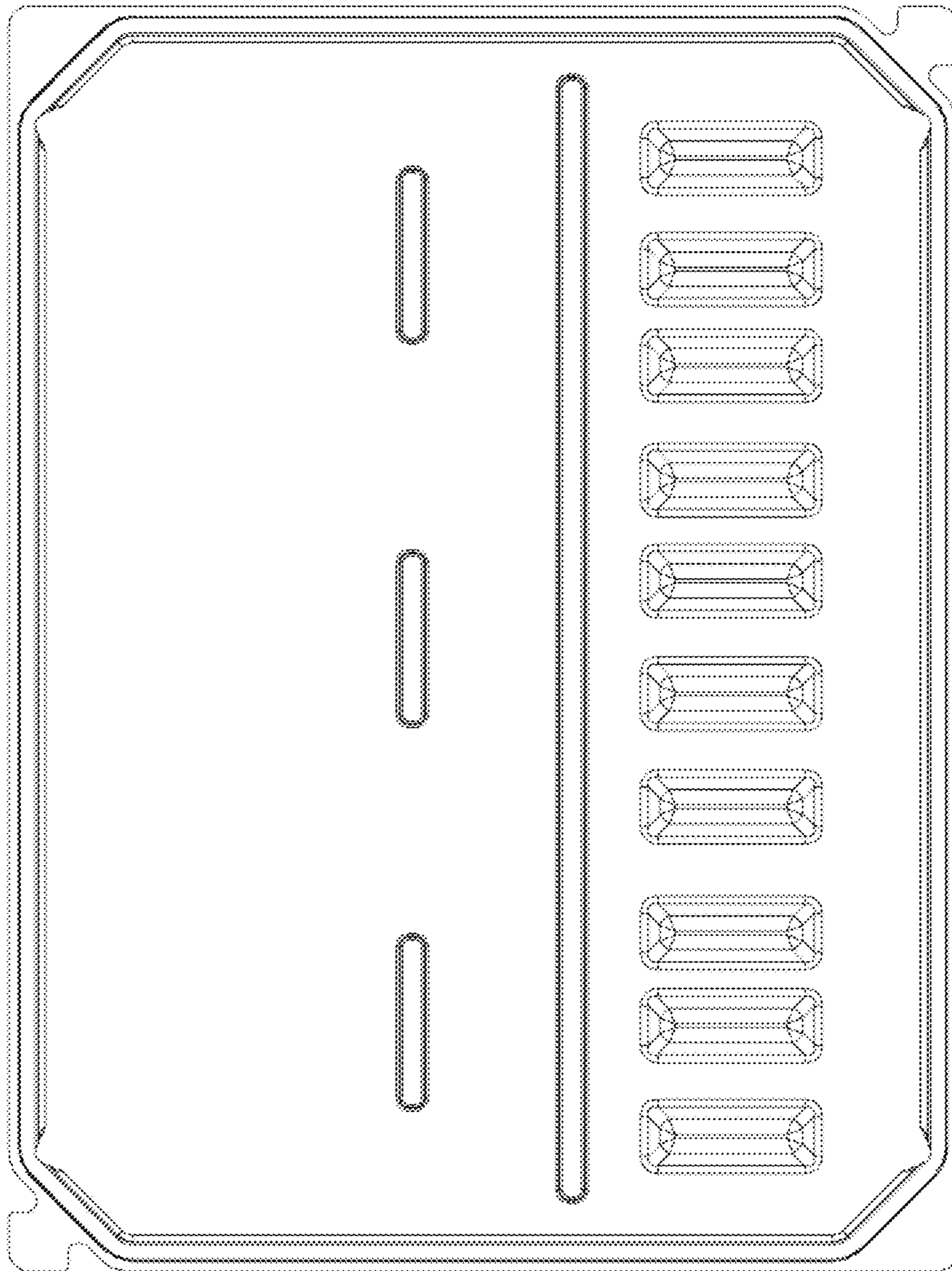


FIG. 10

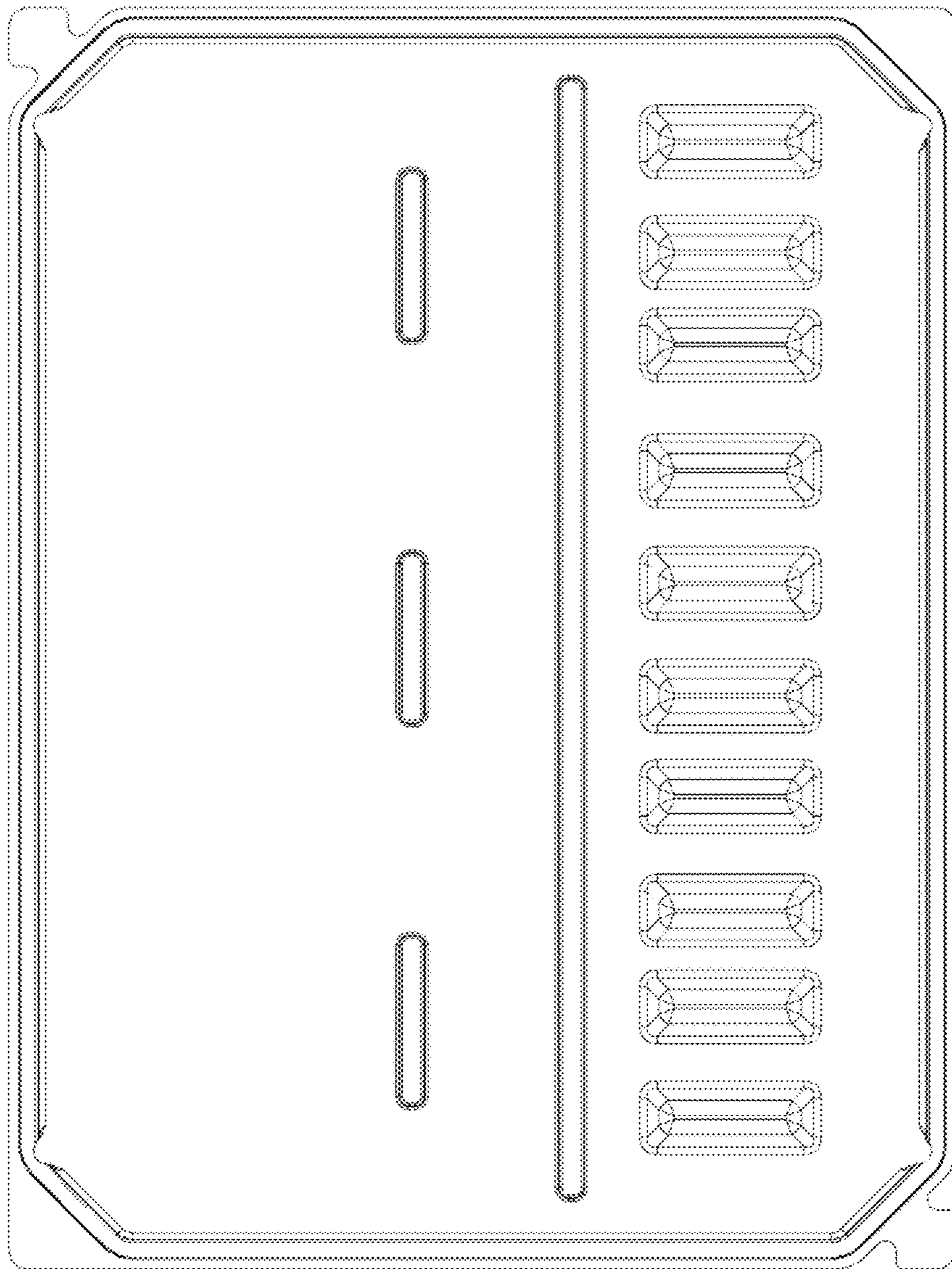


FIG. 11

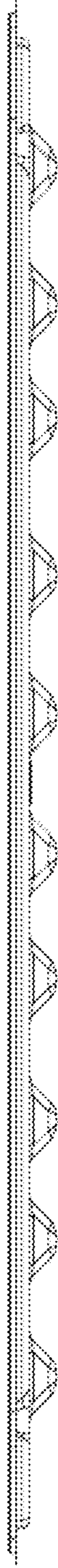


FIG. 12

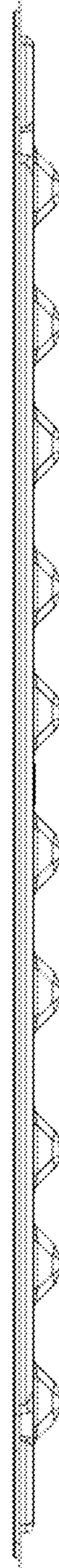


FIG. 13



FIG. 14

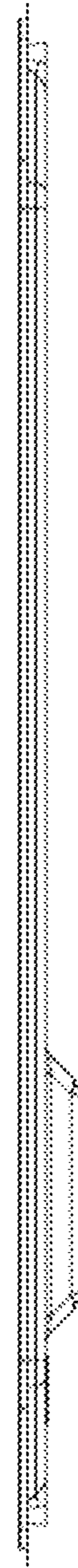


FIG. 15

UNITED STATES PATENT AND TRADEMARK OFFICE
CERTIFICATE OF CORRECTION

PATENT NO. : D818,604 S
APPLICATION NO. : 29/594314
DATED : May 22, 2018
INVENTOR(S) : Revonna Smith et al.

Page 1 of 1

It is certified that error appears in the above-identified patent and that said Letters Patent is hereby corrected as shown below:

On the Title Page

Item (63) Related U.S. Application Data: delete the Related U.S. Application Data and replace with:

-- Continuation-in-part of application no. 14/823,055, filed on August 11, 2015, and Continuation-in-part of application no. 15/155,529, filed on May 16, 2016. --

Signed and Sealed this
Sixth Day of November, 2018



Andrei Iancu
Director of the United States Patent and Trademark Office