



US00D818602S

(12) **United States Design Patent**
Cheung

(10) **Patent No.:** **US D818,602 S**

(45) **Date of Patent:** **** May 22, 2018**

(54) **VIBRATOR**

(71) Applicant: **Lai Lam Cheung**, Ma On Shan (HK)

(72) Inventor: **Lai Lam Cheung**, Ma On Shan (HK)

(73) Assignee: **BRANDCORE LTD.**, Tortola (VG)

(**) Term: **15 Years**

(21) Appl. No.: **29/575,531**

(22) Filed: **Aug. 25, 2016**

(51) **LOC (11) Cl.** **28-03**

(52) **U.S. Cl.**

USPC **D24/215**

(58) **Field of Classification Search**

USPC D24/200, 211, 212, 213, 214, 215;
601/19, 22, 27-32, 46, 52, 99, 112, 113,
601/118, 125, 143, DIG. 12, DIG. 14,
601/DIG. 15, DIG. 16, DIG. 17

CPC A61H 1/0266; A61H 2015/0007; A61H
2015/0014; A61H 2015/0042; A61H
2015/0035; A61H 15/00; A61H 7/003;
A61H 7/005; A61H 7/00; A61H
2001/027; A61H 11/00; A61H 19/00;
A61H 19/30; A61H 19/32; A61H 19/34;
A61H 19/40; A61H 19/44; A61H 19/50;
A61H 21/00

See application file for complete search history.

(56) **References Cited**

U.S. PATENT DOCUMENTS

D484,605 S * 12/2003 Cook D24/200
D611,159 S * 3/2010 Cole D24/200

D620,597 S * 7/2010 Cole D24/200
D631,972 S * 2/2011 Imboden D24/215
D638,132 S * 5/2011 Cole D24/200
D657,066 S * 4/2012 Imboden D24/215
D699,367 S * 2/2014 Lee D24/215
D738,517 S * 9/2015 Karim D24/200
D739,546 S * 9/2015 Cheung D24/215
D770,635 S * 11/2016 Cole D24/200

* cited by examiner

Primary Examiner — Sandra Snapp

(74) *Attorney, Agent, or Firm* — Richard E. Oney; Tiffany & Bosco, P.A.

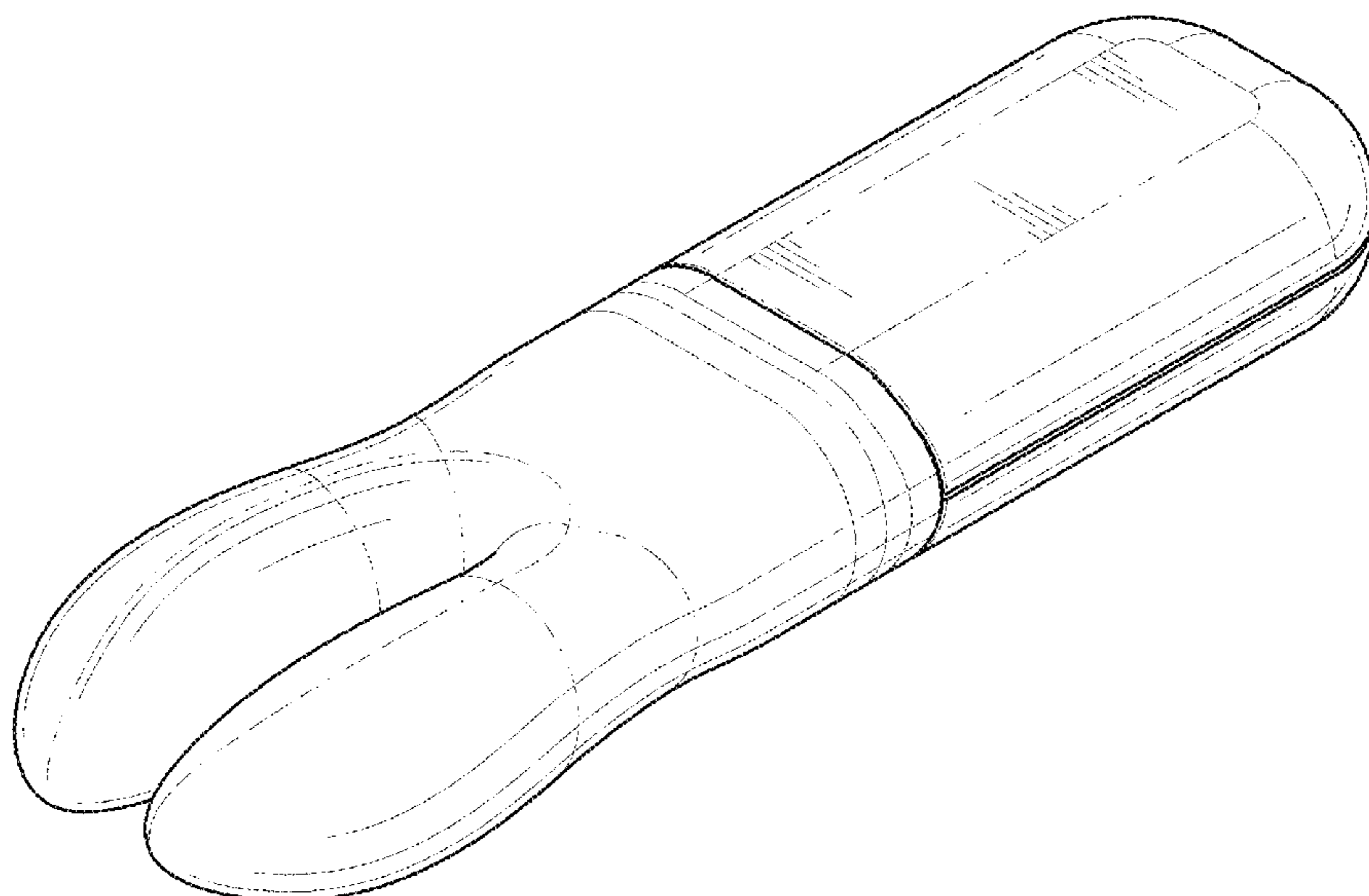
(57) **CLAIM**

The ornamental design for a vibrator, as shown and described.

DESCRIPTION

FIG. 1 is a perspective view of a vibrator with the ornamental design;
FIG. 2 is a rear elevation view of the vibrator of FIG. 1;
FIG. 3 is a front elevation view of the vibrator of FIG. 1;
FIG. 4 is a side elevation view of the vibrator of FIG. 1;
FIG. 5 is a top plan view of the vibrator of FIG. 1; and,
FIG. 6 is a bottom plan view of the vibrator of FIG. 1.
The broken lines shown in the drawings are for illustrative purposes only and form no part of the claimed design.

1 Claim, 5 Drawing Sheets



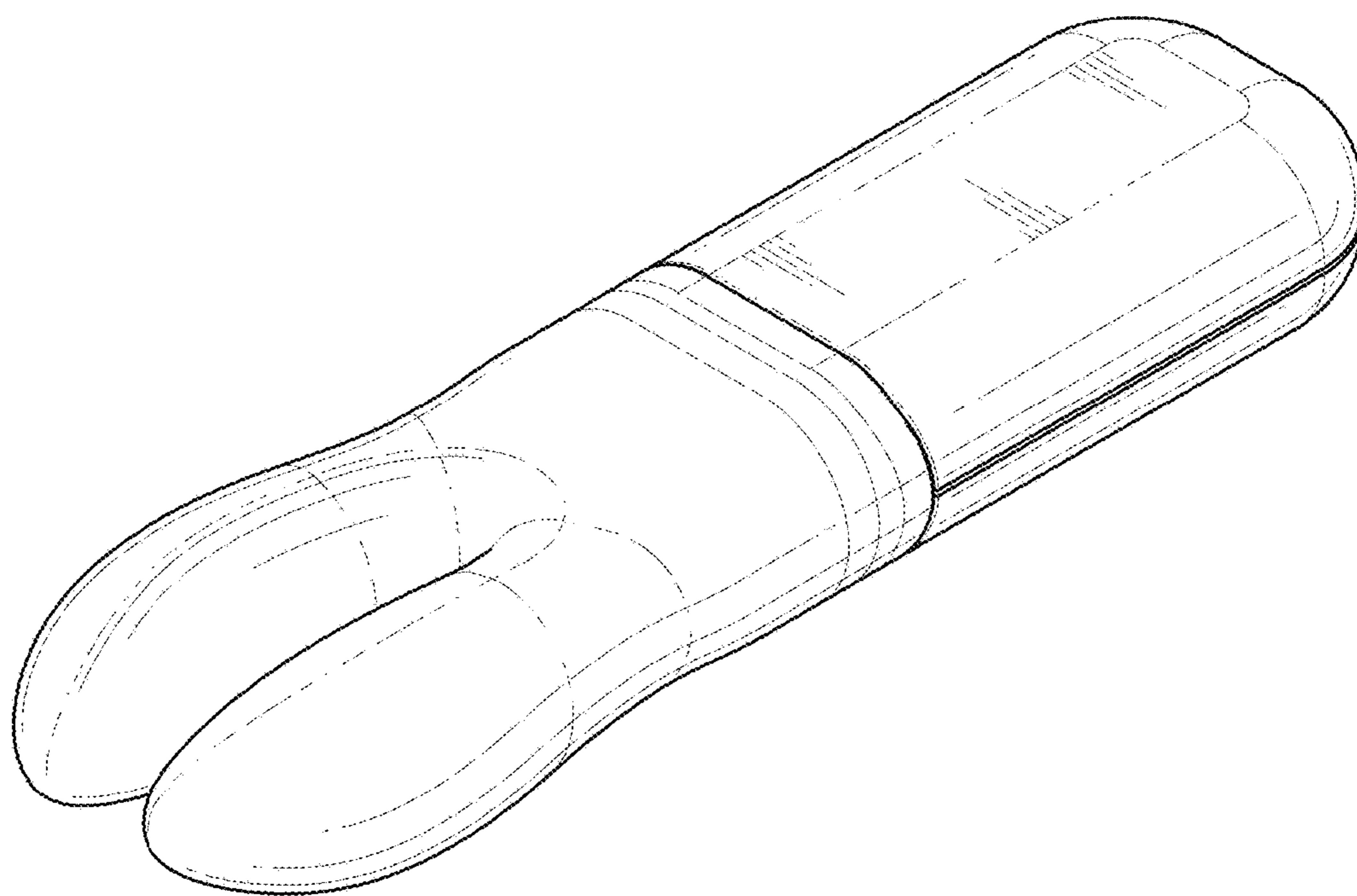


FIG. 1

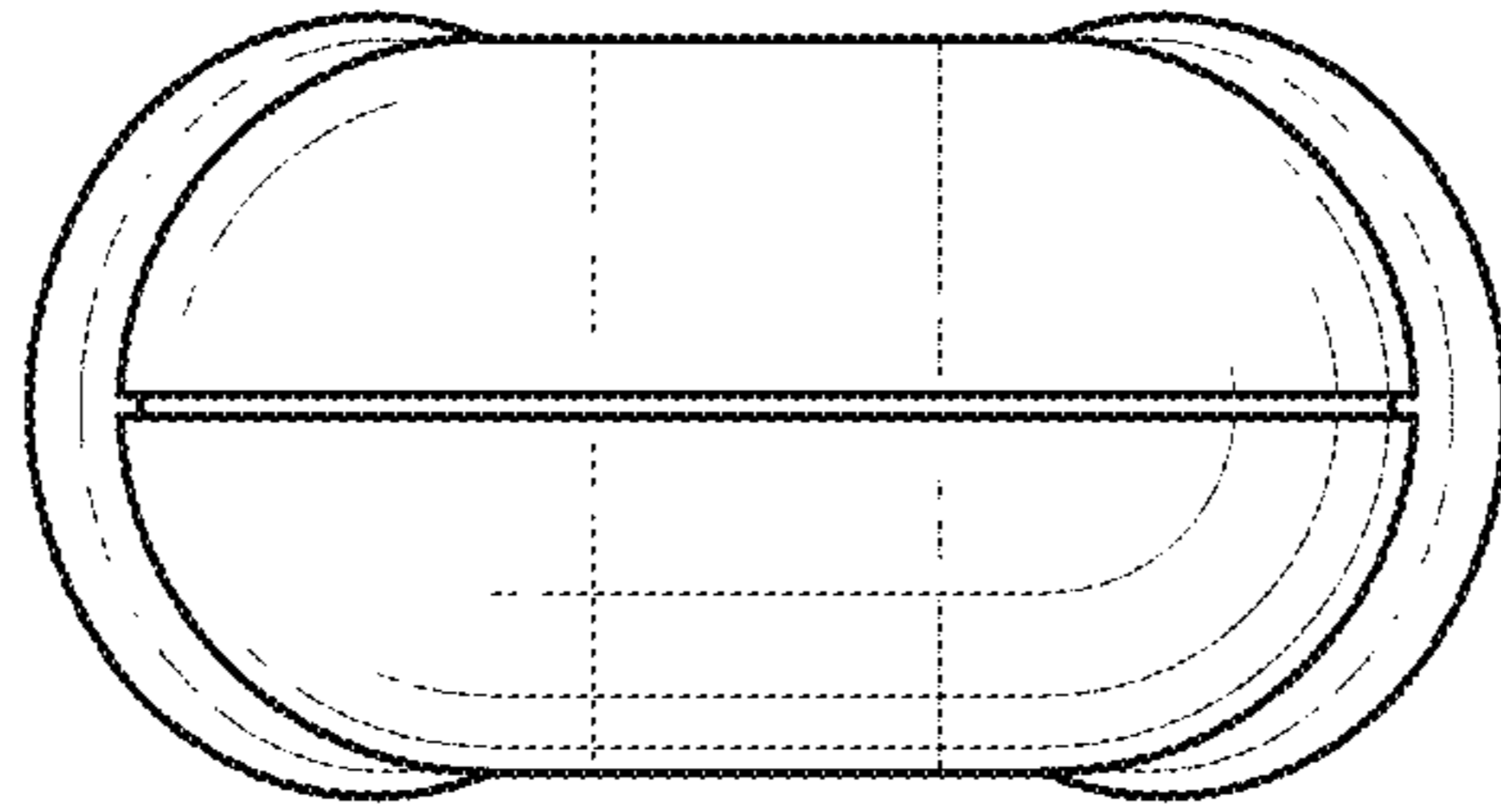


FIG. 2

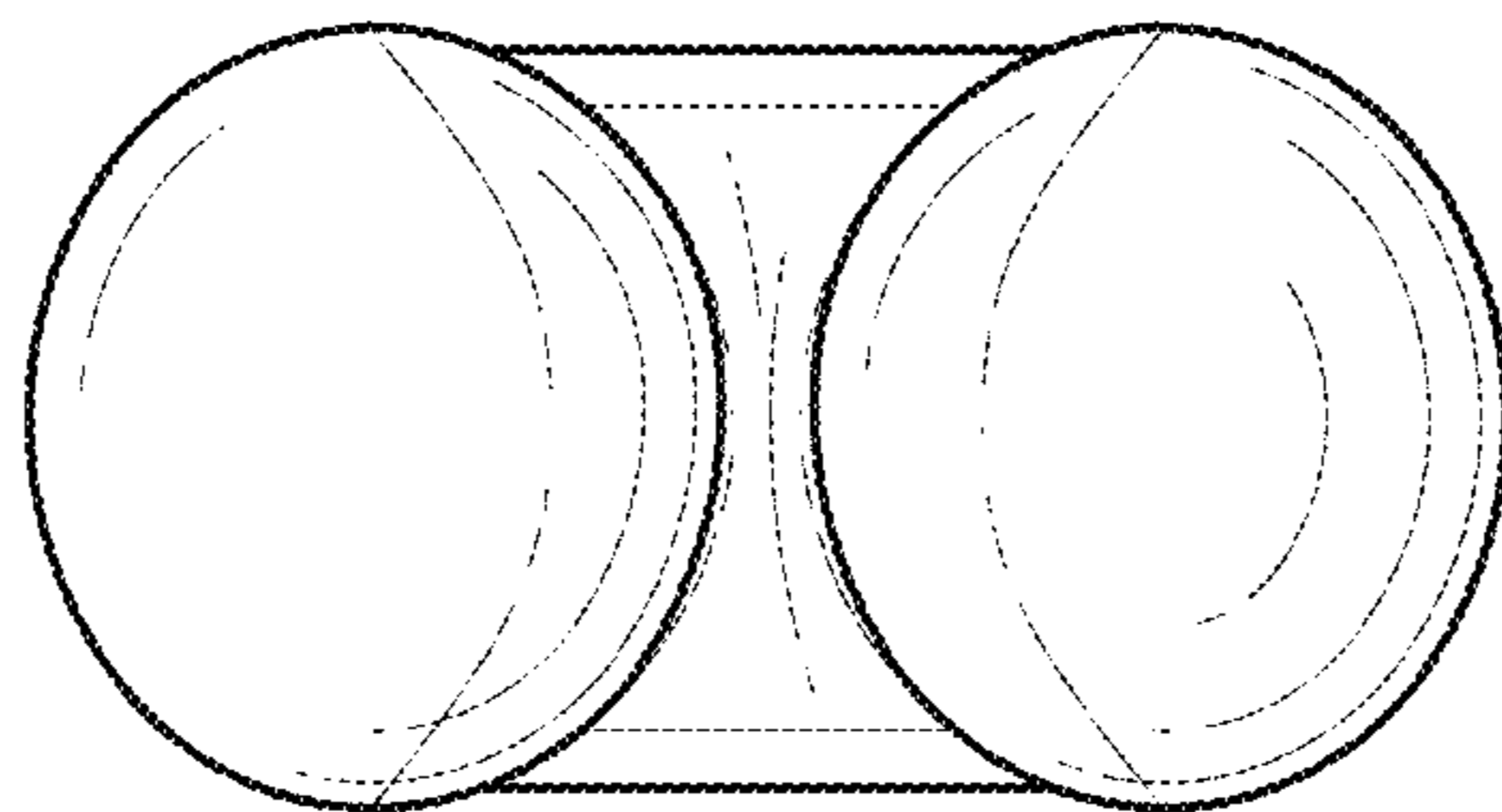


FIG. 3

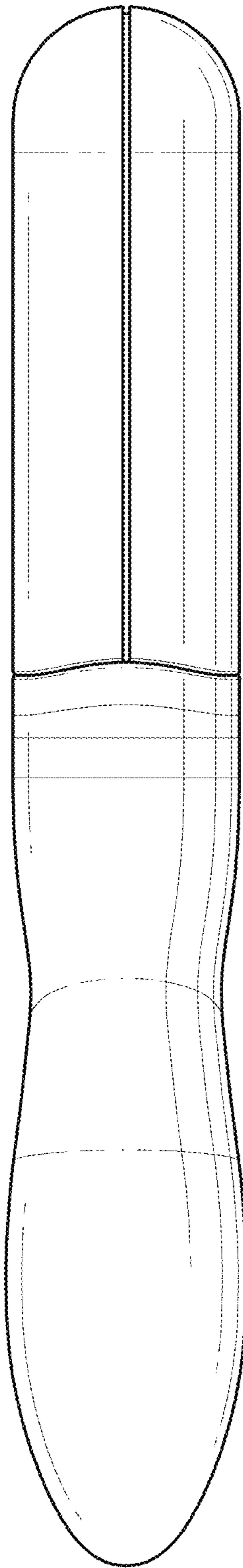


FIG. 4

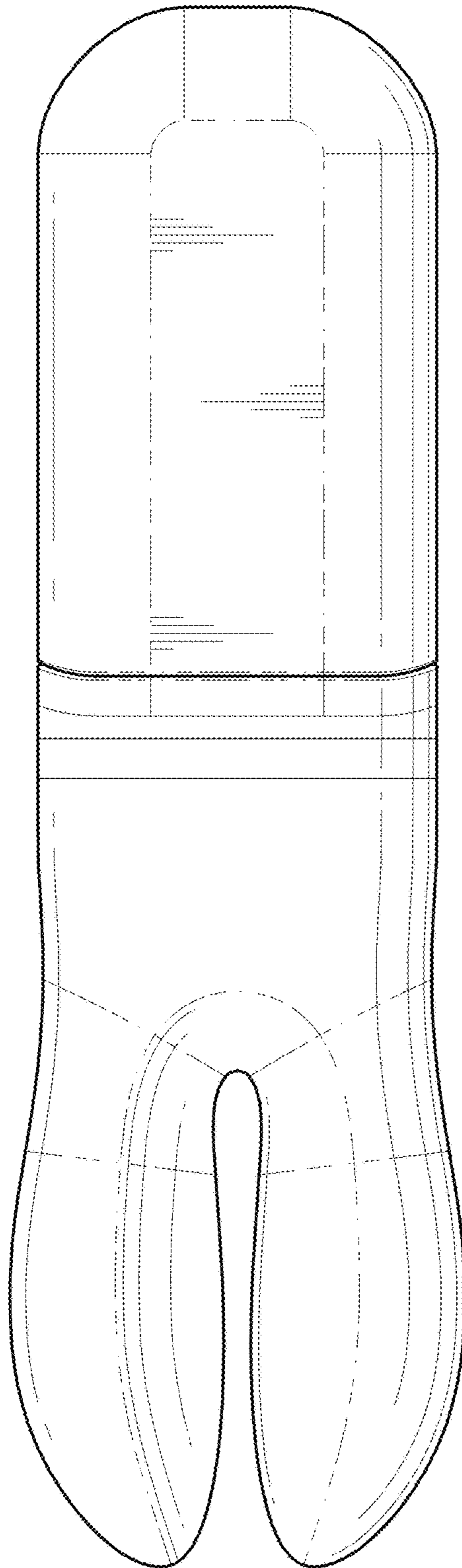


FIG. 5

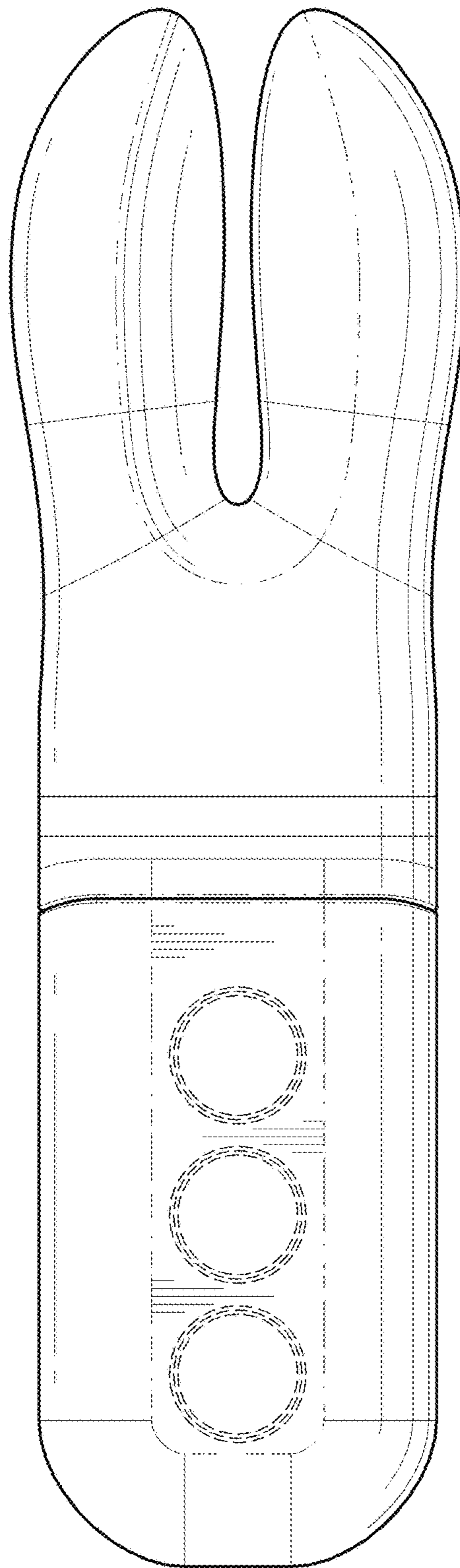


FIG. 6