



US00D818600S

(12) **United States Design Patent** (10) **Patent No.:** **US D818,600 S**
Black (45) **Date of Patent:** **** May 22, 2018**

(54) **HEAD FASCIA TISSUE TREATMENT DEVICE**

(71) Applicant: **Ashley Diana Black International Holdings, LLC**, Pearland, TX (US)

(72) Inventor: **Ashley D. Black**, Pearland, TX (US)

(73) Assignee: **Ashley Diana Black International Holdings, LLC**, Pearland, TX (US)

(**) Term: **15 Years**

(21) Appl. No.: **29/630,810**

(22) Filed: **Dec. 22, 2017**

Related U.S. Application Data

(63) Continuation-in-part of application No. 14/188,143, filed on Feb. 24, 2014.
(Continued)

(51) **LOC (11) Cl.** **28-03**

(52) **U.S. Cl.**
USPC **D24/214; D21/662**

(58) **Field of Classification Search**
USPC **D24/200, 211, 212, 213, 214, 215; 601/19, 22, 27-32, 46, 52, 99, 112, 113,**
(Continued)

(56) **References Cited**

U.S. PATENT DOCUMENTS

D21,551 S 5/1892 Young
912,016 A 2/1909 Miller
(Continued)

FOREIGN PATENT DOCUMENTS

CN 303664033 5/2016
CN 304107360 4/2017
(Continued)

OTHER PUBLICATIONS

D'arsonval High Frequency Device Skin Tightening Spot Wrinkles Remover Acne Treatment, www.topbeautybuy.com.
(Continued)

Primary Examiner — Sandra Snapp
(74) *Attorney, Agent, or Firm* — Dentons US LLP

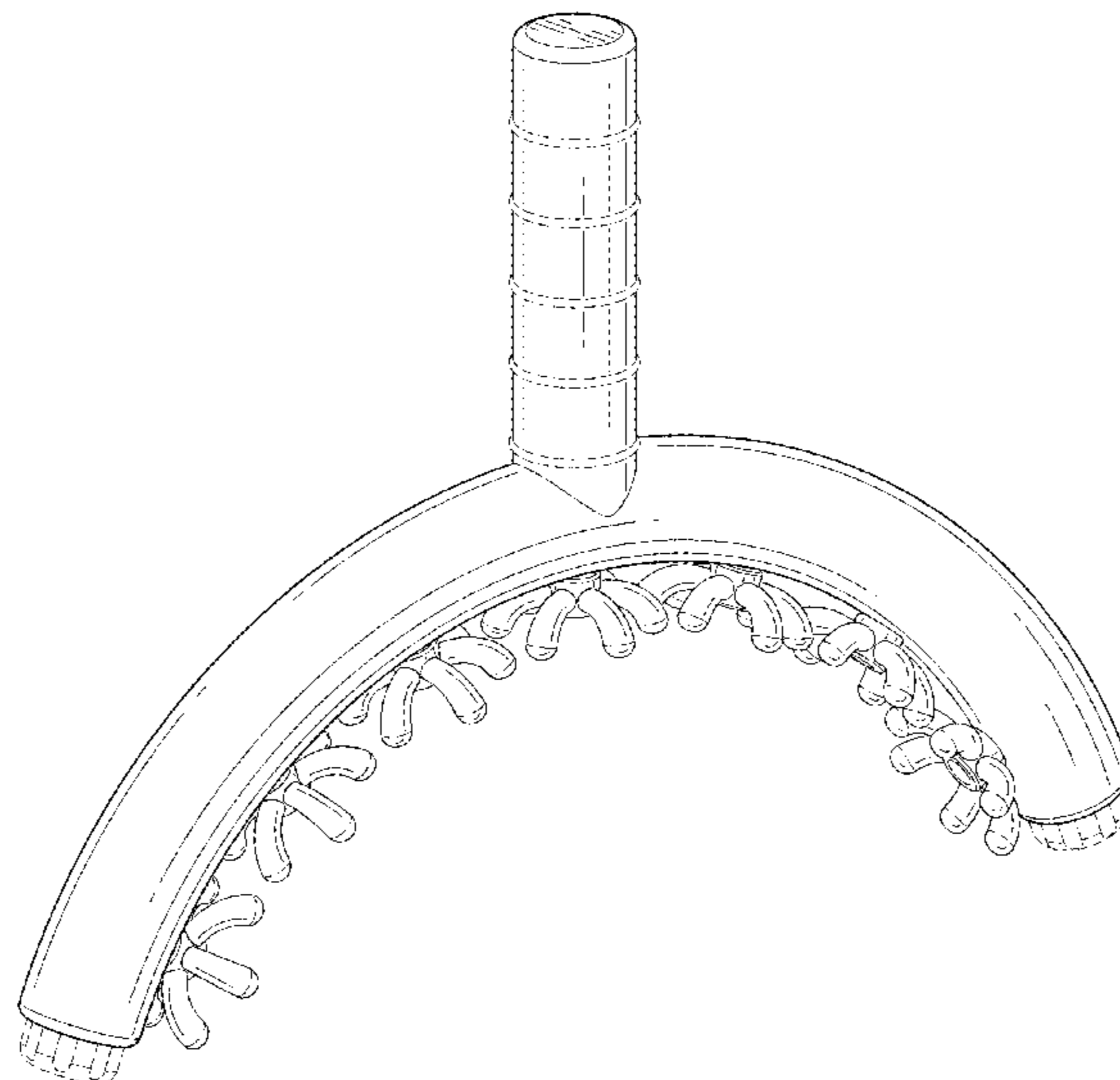
(57) **CLAIM**

The ornamental design for a head fascia tissue treatment device, as shown and described.

DESCRIPTION

FIG. 1 is a front perspective view of a head fascia tissue treatment device;
FIG. 2 is a front elevational view of the device of FIG. 1;
FIG. 3 is a rear elevational view of the device of FIG. 1;
FIG. 4 is a right-side elevational view of the device of FIG. 1;
FIG. 5 is a left-side elevational view of the device of FIG. 1;
FIG. 6 is a top view of the device of FIG. 1;
FIG. 7 is a bottom view of the device of FIG. 1;
FIG. 8 is a front perspective view of another embodiment of a head fascia tissue treatment device;
FIG. 9 is a front elevational view of the device of FIG. 8;
FIG. 10 is a rear elevational view of the device of FIG. 8;
FIG. 11 is a right-side elevational view of the device of FIG. 8;
FIG. 12 is a left-side elevational view of the device of FIG. 8;
FIG. 13 is a top view of the device of FIG. 8; and,
FIG. 14 is a bottom view of the device of FIG. 8.
The broken line depictions of portions of the head fascia tissue treatment device are for illustrative purposes only and form no part of the claimed design.

1 Claim, 10 Drawing Sheets



Related U.S. Application Data

(60) Provisional application No. 61/768,250, filed on Feb. 22, 2013.

(58) **Field of Classification Search**

USPC 601/118, 125, 143, DIG. 12, DIG. 14, 601/DIG. 15, DIG. 16, DIG. 17; D21/662
 CPC A61H 1/0266; A61H 2015/0007; A61H 2015/0014; A61H 2015/0042; A61H 2015/0035; A61H 15/00; A61H 7/003; A61H 7/005; A61H 7/00; A61H 2001/027; A61H 11/00; A61H 19/00; A61H 19/30; A61H 19/32; A61H 19/34; A61H 19/40; A61H 19/44; A61H 19/50; A61H 21/00

See application file for complete search history.

(56) **References Cited**

U.S. PATENT DOCUMENTS

965,564 A 7/1910 Coates
 1,523,979 A * 1/1925 Ryan A61H 7/006 2/174
 D233,632 S * 11/1974 Kirk D24/214
 3,856,002 A * 12/1974 Matsumoto A61H 7/003 601/137
 D234,724 S 4/1975 Tavel
 4,493,315 A 1/1985 Iwahashi
 D280,434 S * 9/1985 McManaway D21/684
 5,044,356 A 9/1991 Fishman
 5,103,809 A 4/1992 DeLuca
 5,285,774 A 2/1994 Stachurski
 D346,866 S 5/1994 Lotuaco
 D350,608 S 9/1994 Yu
 D351,658 S 10/1994 Beckman
 D359,358 S 6/1995 Pecora et al.
 D373,197 S 8/1996 Schepper
 D374,084 S 9/1996 Chen
 5,588,953 A 12/1996 Chang
 D390,966 S 2/1998 Huang
 D391,645 S * 3/1998 Chien D24/211
 5,728,050 A 3/1998 Lin
 5,730,708 A 3/1998 Spratt
 D398,401 S 9/1998 Antoskow
 D403,429 S 12/1998 Blanchard
 D404,495 S 1/1999 Chien
 D408,925 S 4/1999 Berry et al.
 D422,084 S 3/2000 Mickelson
 D427,318 S 6/2000 Chen
 D443,067 S 5/2001 Chen
 6,241,693 B1 6/2001 Lambden
 6,267,738 B1 7/2001 Louis
 D454,959 S 3/2002 Harris
 D455,837 S * 4/2002 Kim D24/214
 D466,612 S 12/2002 Harris
 D468,084 S 1/2003 Lin
 D473,657 S 4/2003 Lewis-Jonsson

D477,414 S 7/2003 Chen
 D479,607 S 9/2003 Chen
 D486,236 S 2/2004 Nan
 6,758,826 B2 7/2004 Luetngen et al.
 6,974,427 B1 12/2005 Lapham
 D515,219 S 2/2006 Nan
 D515,702 S 2/2006 Nan
 D537,892 S * 3/2007 Moses D21/662
 7,291,101 B2 * 11/2007 Deal A61H 15/0092 482/121
 D556,913 S 12/2007 Laituri
 D558,355 S * 12/2007 Huang D24/214
 D590,510 S * 4/2009 Johansen D24/214
 D600,357 S 9/2009 Chaput
 D627,897 S 6/2010 Yde
 D630,761 S 1/2011 Marshall
 D633,217 S 2/2011 Robertson
 8,337,438 B2 12/2012 Schupman
 D673,387 S 1/2013 Zeng
 8,419,663 B2 4/2013 Eitzen
 D703,825 S 4/2014 Barrett
 D704,852 S 5/2014 Yang
 8,808,208 B2 8/2014 Mouatt
 D719,664 S 12/2014 Riftin et al.
 D723,709 S 3/2015 Topolovac
 D735,818 S 8/2015 Black
 D742,534 S * 11/2015 Bains D24/214
 D750,796 S * 3/2016 Bains D24/214
 D750,841 S 3/2016 Lewis
 D765,872 S * 9/2016 Blaskovich D24/214
 2004/0082449 A1 * 4/2004 Brown, Jr. A63B 21/026 482/140
 2005/0096572 A1 5/2005 Hua
 2005/0101944 A1 * 5/2005 Williams A61B 18/1477 606/15
 2007/0173750 A1 7/2007 Hudock
 2008/0086066 A1 4/2008 Munday
 2008/0255486 A1 10/2008 Ludlow
 2010/0160841 A1 6/2010 Wu
 2010/0191161 A1 7/2010 Mouatt
 2011/0054369 A1 3/2011 DeStefano
 2011/0087140 A1 4/2011 Lee
 2011/0154690 A1 6/2011 Walsh
 2011/0224588 A1 9/2011 Grippo
 2012/0121313 A1 5/2012 Thiebaut
 2013/0023807 A1 1/2013 Hennessey
 2014/0243718 A1 8/2014 Black
 2014/0272761 A1 9/2014 Lowe et al.

FOREIGN PATENT DOCUMENTS

EM 003539014-0001 12/2016
 EP 2311426 A1 4/2011

OTHER PUBLICATIONS

Fascia Blaster Cellulite Massager Full Body Massage Us Seller Lot of 2, www.terapeak.com.

* cited by examiner

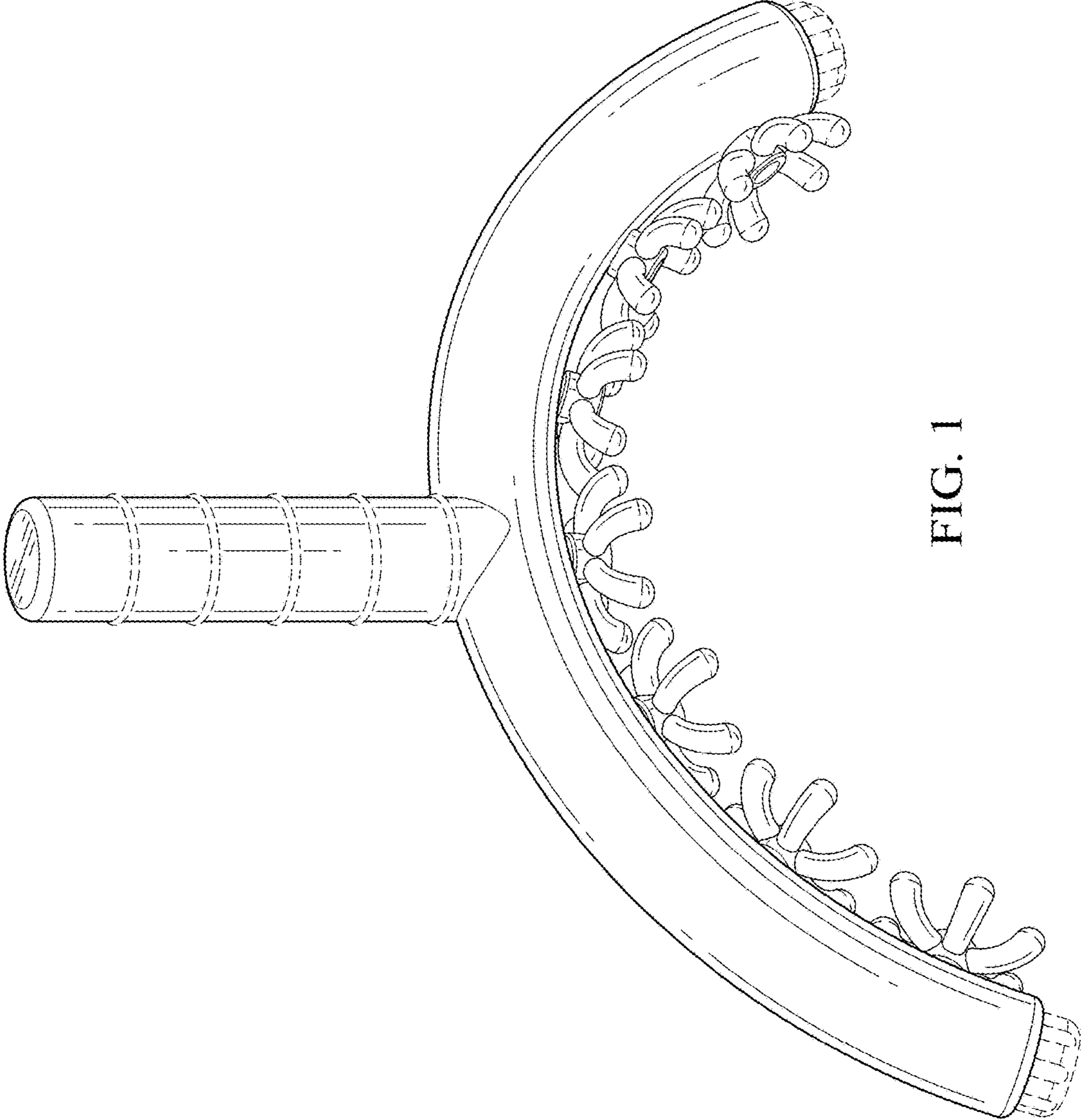


FIG. 1

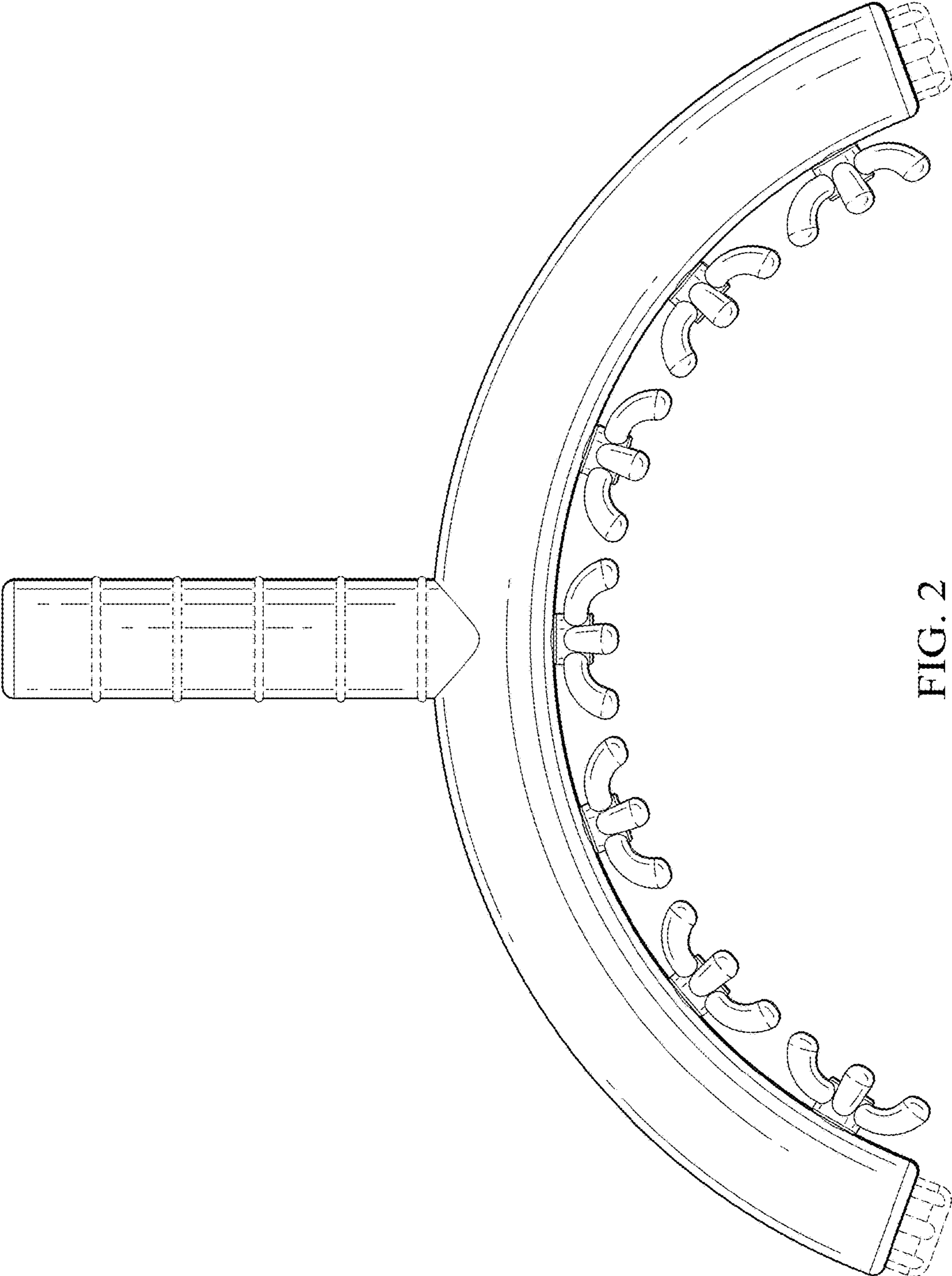


FIG. 2

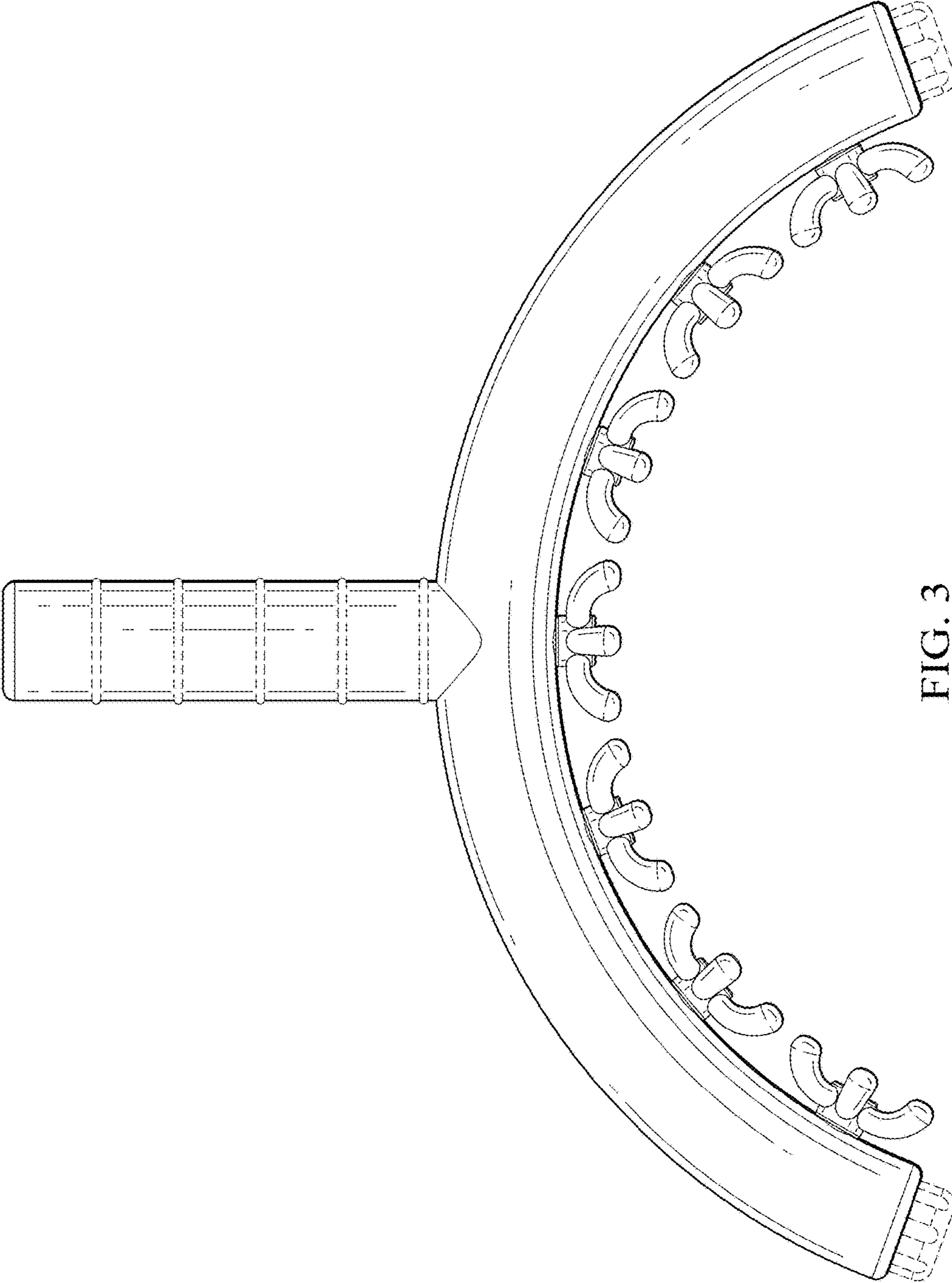


FIG. 3

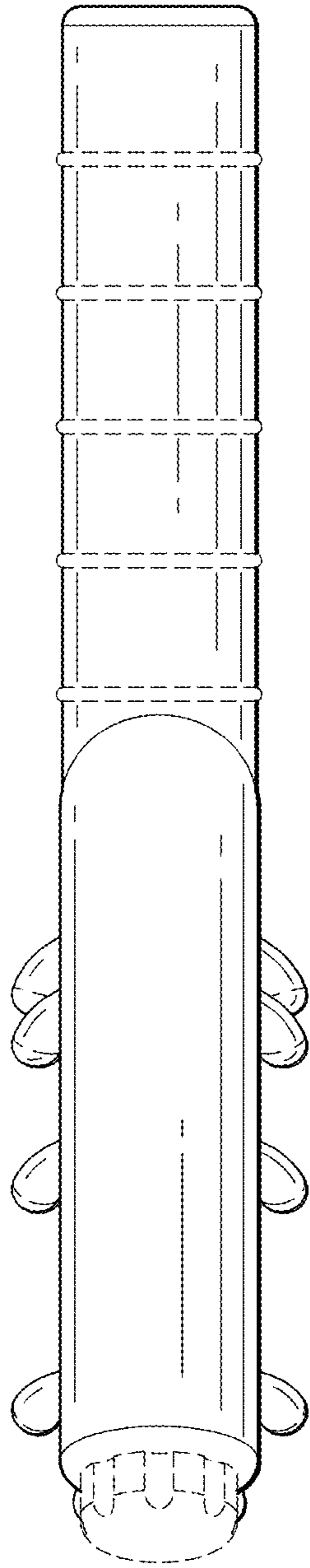


FIG. 4

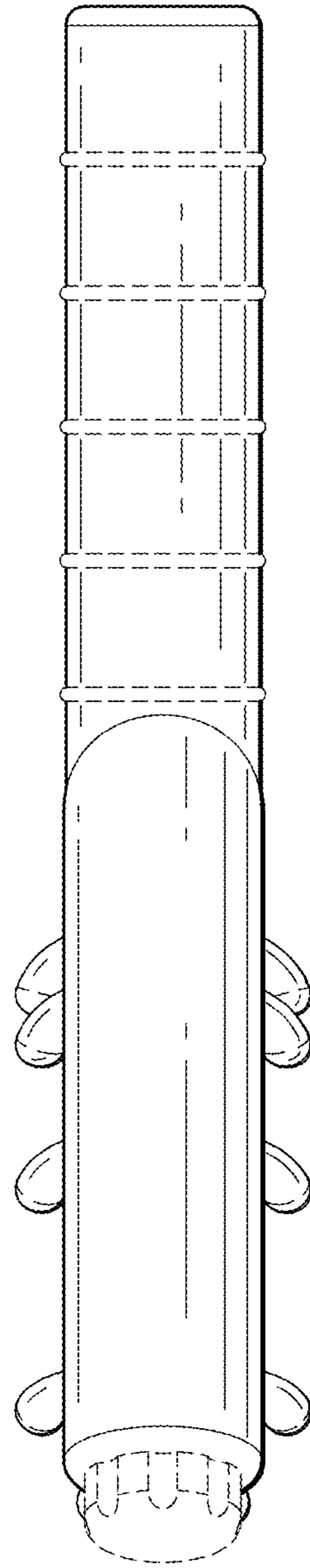


FIG. 5

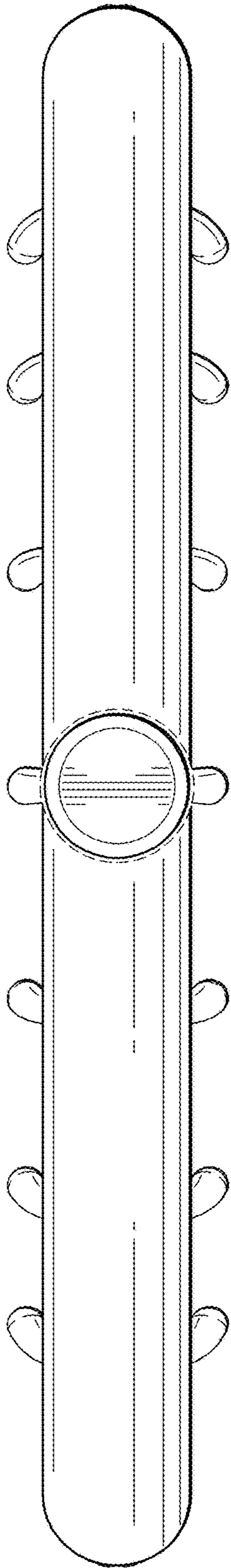


FIG. 6

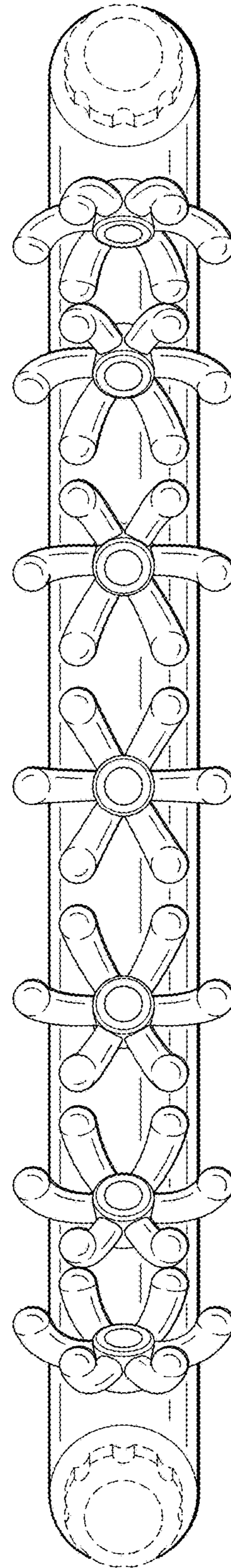


FIG. 7

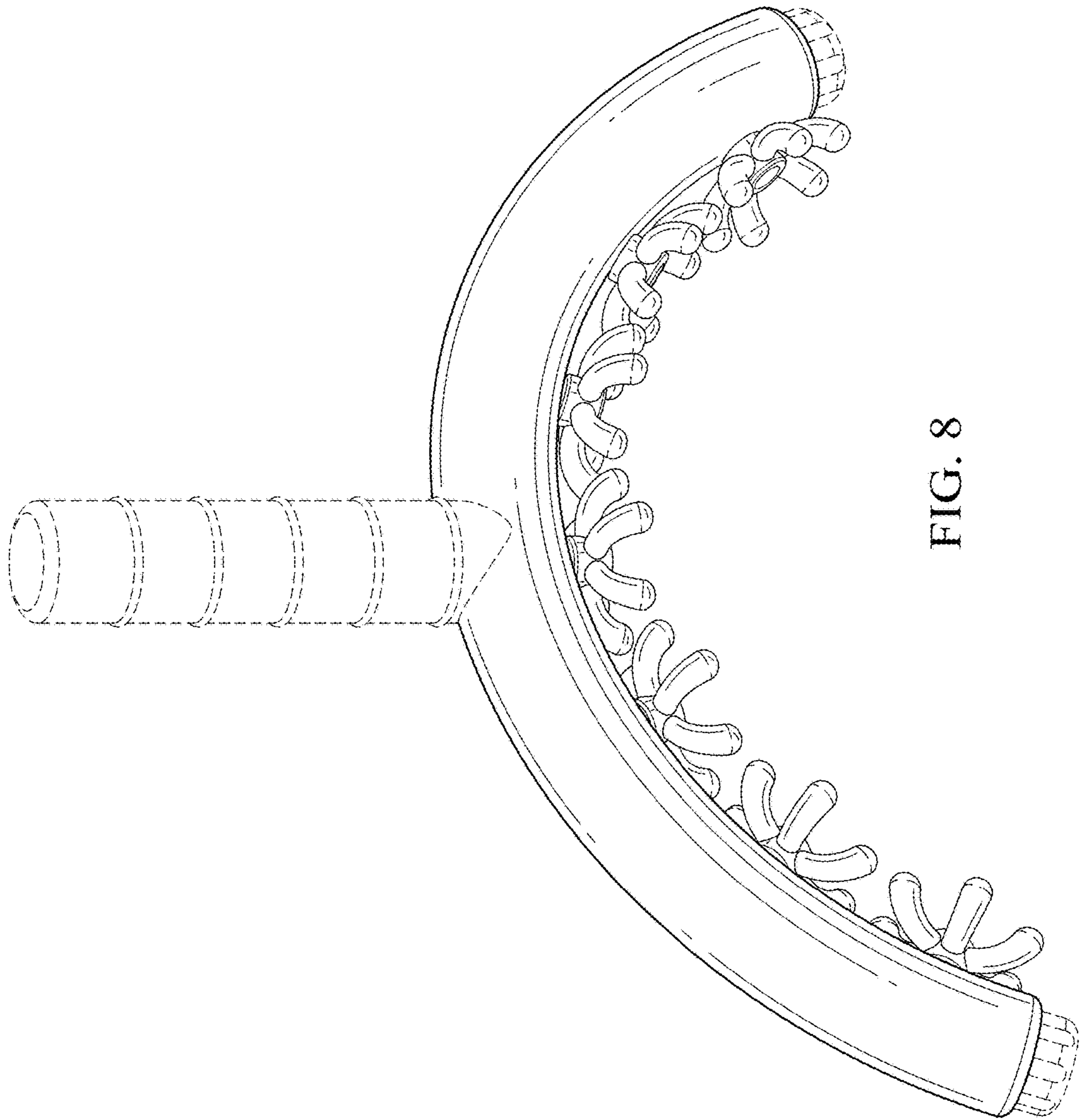


FIG. 8

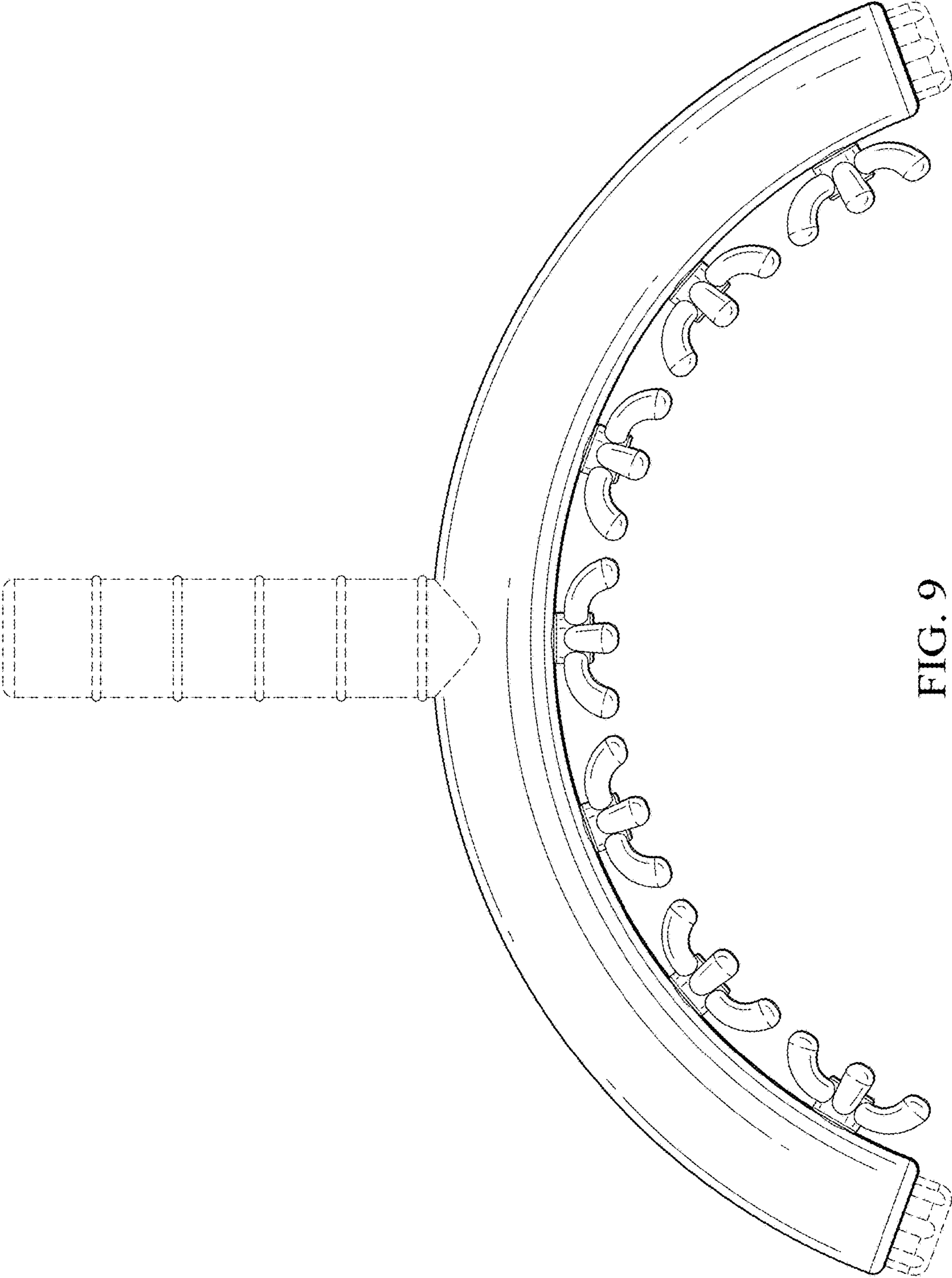


FIG. 9

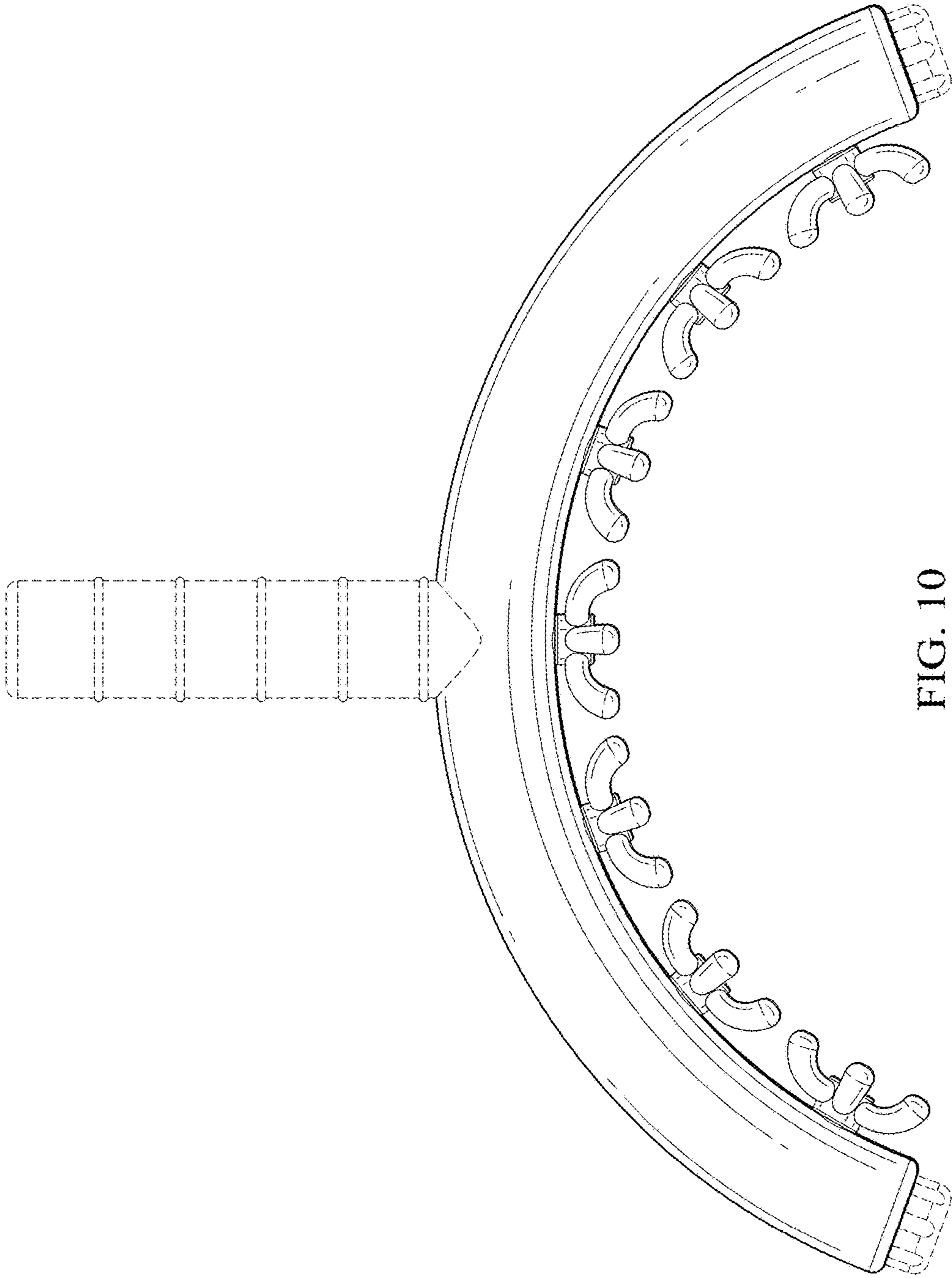


FIG. 10

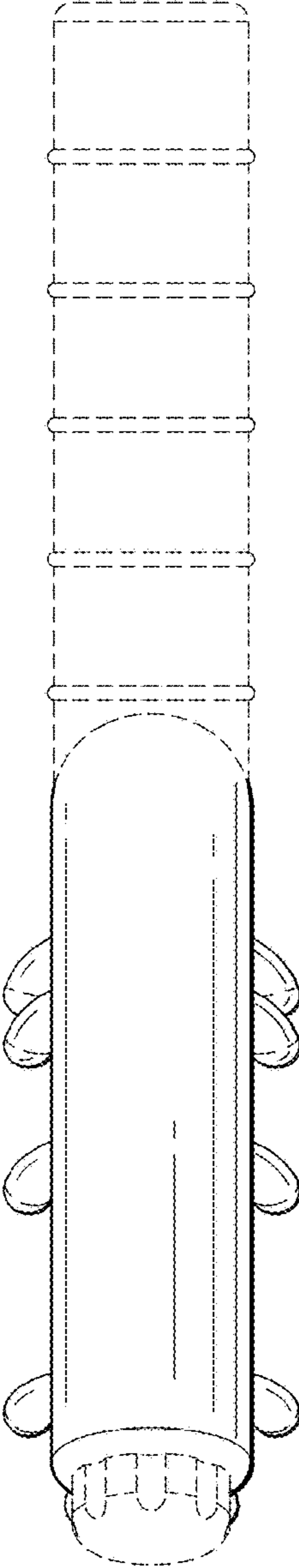


FIG. 11

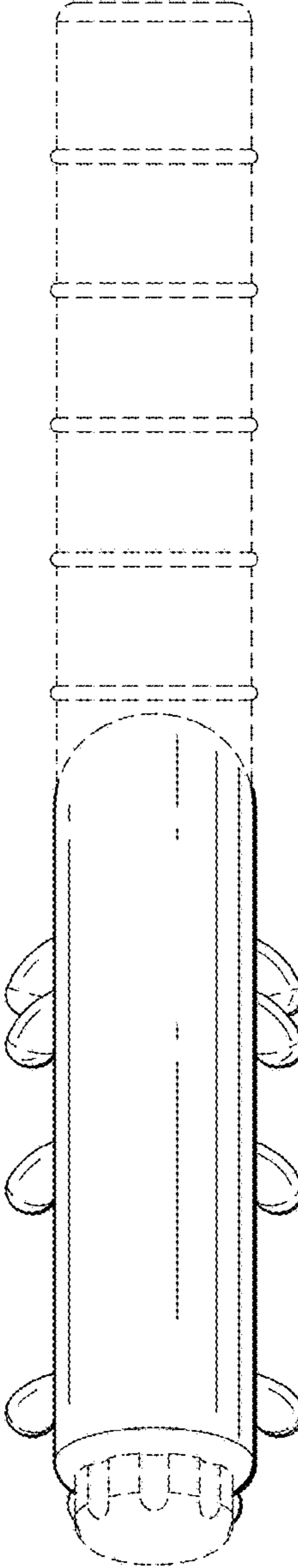


FIG. 12

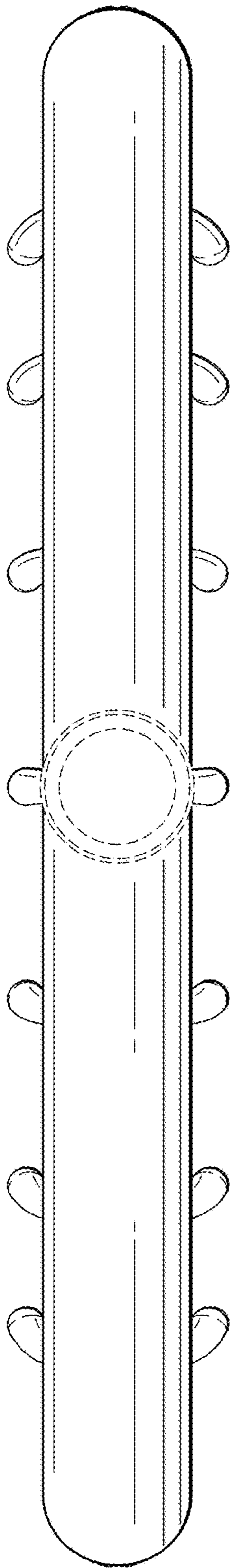


FIG. 13

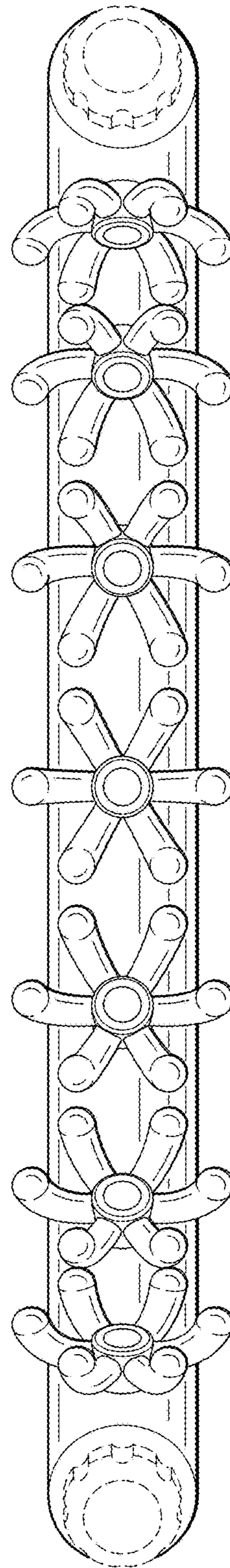


FIG. 14