



US00D818598S

(12) **United States Design Patent**
Cox

(10) **Patent No.:** **US D818,598 S**

(45) **Date of Patent:** **** *May 22, 2018**

(54) **VARIABLE COMPRESSION FOAM ROLLER**

(71) Applicant: **Bradley Cox**, Stoneham, MA (US)

(72) Inventor: **Bradley Cox**, Stoneham, MA (US)

(*) Notice: This patent is subject to a terminal disclaimer.

(**) Term: **15 Years**

(21) Appl. No.: **29/545,741**

(22) Filed: **Nov. 16, 2015**

(51) **LOC (11) Cl.** **28-03**

(52) **U.S. Cl.**
USPC **D24/211**

(58) **Field of Classification Search**
USPC D24/200, 211, 212, 213, 214, 215;
601/19, 27-32, 46-48, 52, 99, 112-113,
601/118, 135, 137, DIG. 12, DIG. 14,
601/DIG. 15, DIG. 16, DIG. 17;
D30/160; D14/218, 138 AA
CPC A61H 19/00; A61H 19/30; A61H 19/32;
A61H 19/34; A61H 19/40; A61H 19/44;
A61H 19/50; A61H 2015/0007; A61H
2015/0014; A61H 2015/0042; A61H
15/00; A61H 7/003; A61H 7/005
See application file for complete search history.

(56) **References Cited**

U.S. PATENT DOCUMENTS

D225,907 S * 1/1973 Shiu D24/211
4,182,317 A * 1/1980 Ash A61H 31/007
601/107
4,378,007 A * 3/1983 Kachadourian A61H 15/00
482/79

4,807,603 A * 2/1989 Yasui A61H 15/00
601/121
5,830,161 A * 11/1998 Cosmano A61H 15/00
601/118
D700,709 S * 3/2014 Khodabakhshian D24/211
D711,546 S * 8/2014 Babiarz D24/211
D718,461 S * 11/2014 Sato D24/215
D721,183 S * 1/2015 Mallory D24/211
2015/0313789 A1 * 11/2015 Babiarz A61H 15/02
601/19

* cited by examiner

Primary Examiner — Sandra Snapp

(74) *Attorney, Agent, or Firm* — Law Office of Jerry Joseph, PLC; Jerry K. Joseph

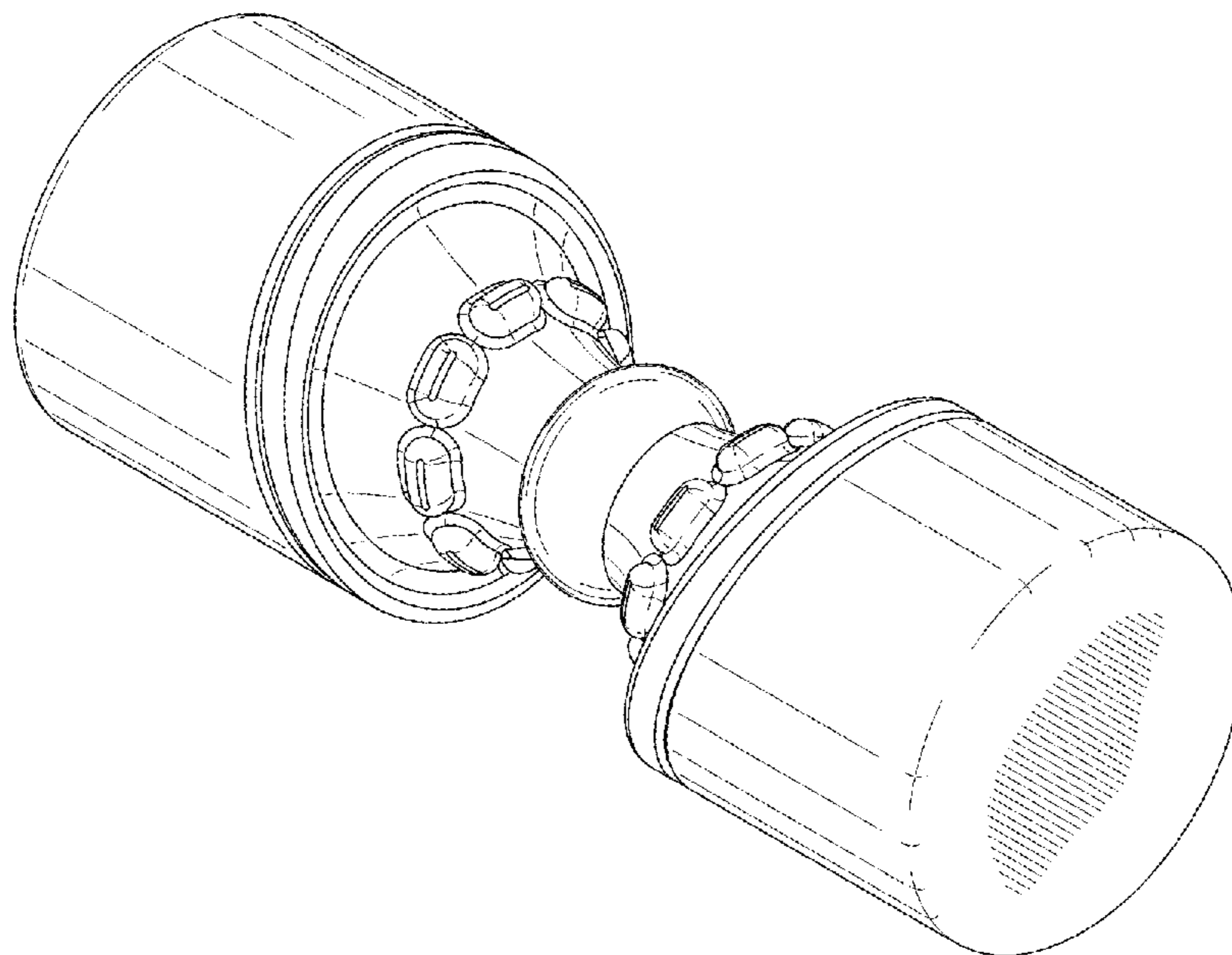
(57) **CLAIM**

I claim the ornamental design for a variable compression foam roller, as shown and described.

DESCRIPTION

FIG. 1 is a perspective view of the design of the present invention for a variable compression foam roller;
FIG. 2 is a front elevation view of the variable compression foam roller of FIG. 1;
FIG. 3 is a rear elevation view of the variable compression foam roller of FIG. 1;
FIG. 4 is a left side elevation view of the variable compression foam roller of FIG. 1; and,
FIG. 5 is a top end view of the variable compression foam roller of FIG. 1.
The right side elevation view of the variable compression foam roller is a mirror image of FIG. 4 and the bottom end view of the variable compression foam roller is identical to FIG. 5, and therefore a right side elevation and a bottom end view have been omitted.

1 Claim, 3 Drawing Sheets



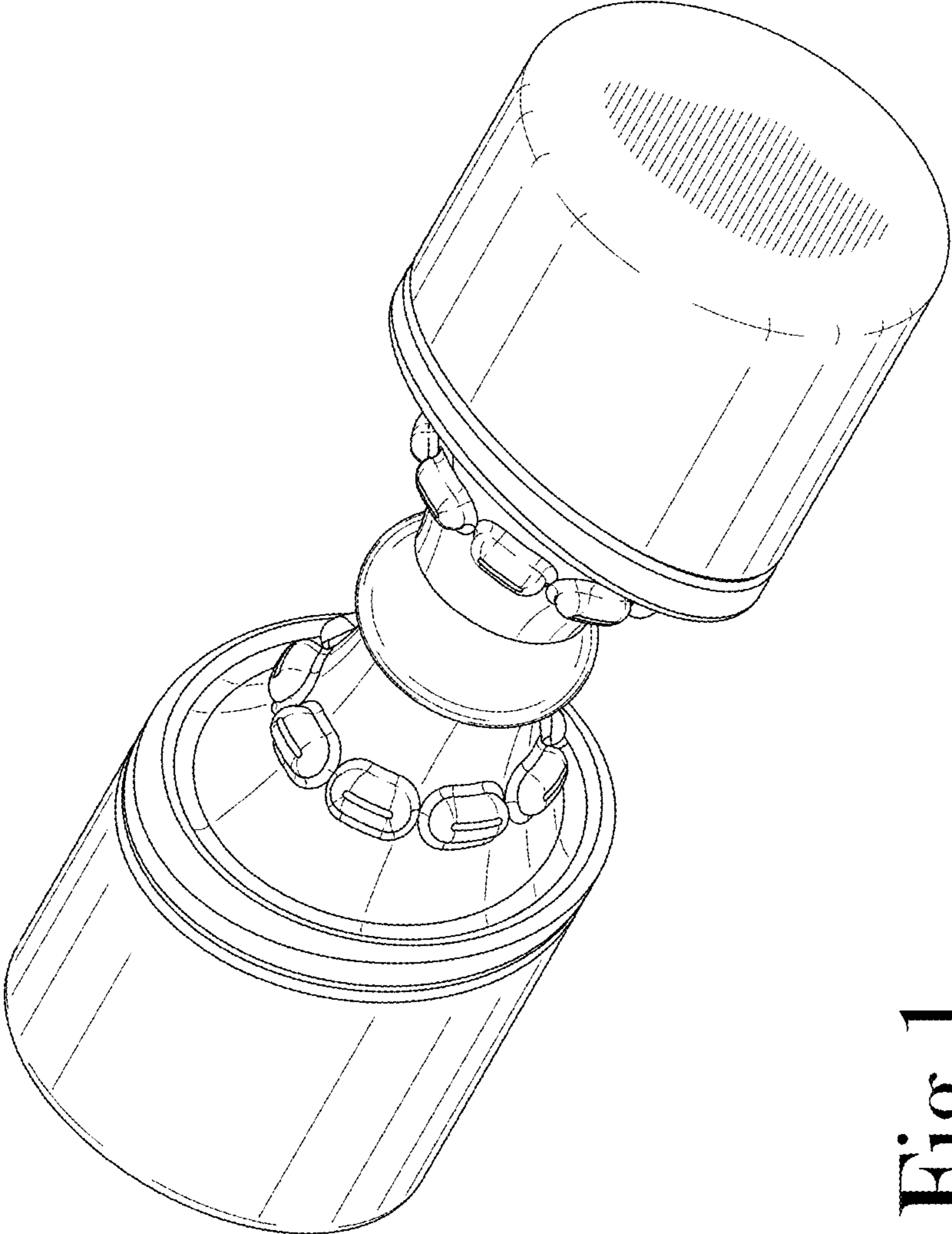


Fig. 1

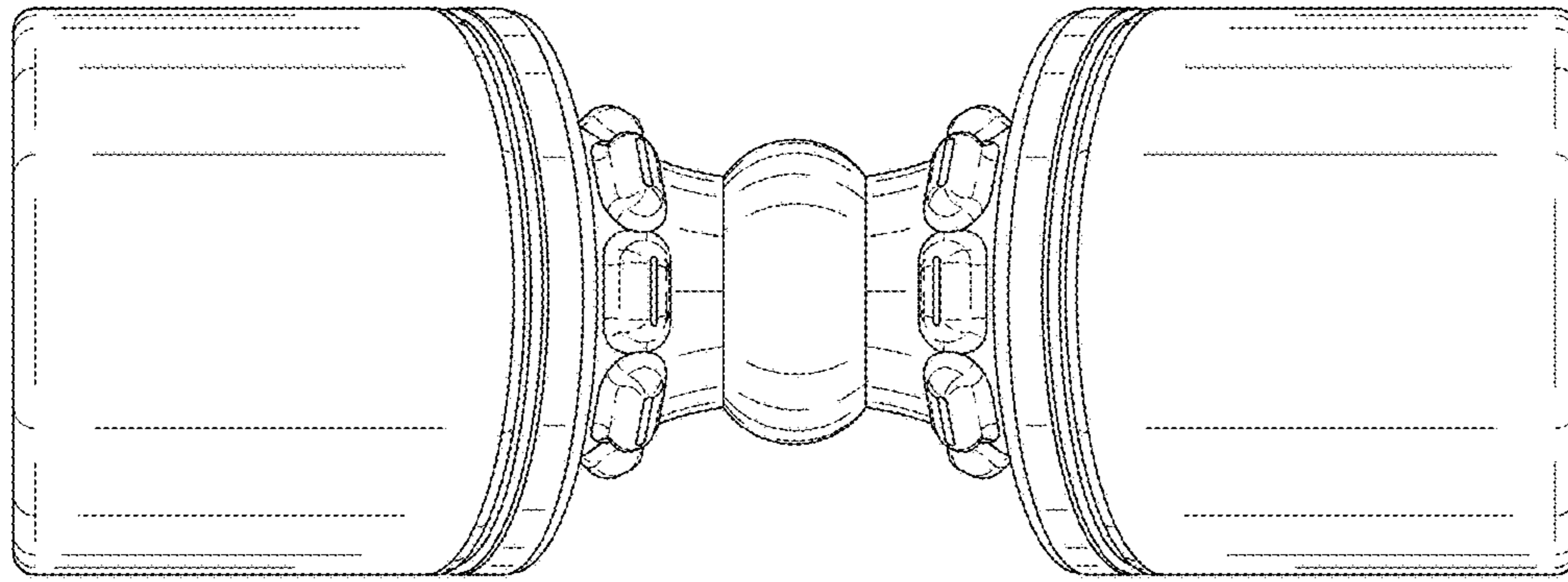


Fig. 3

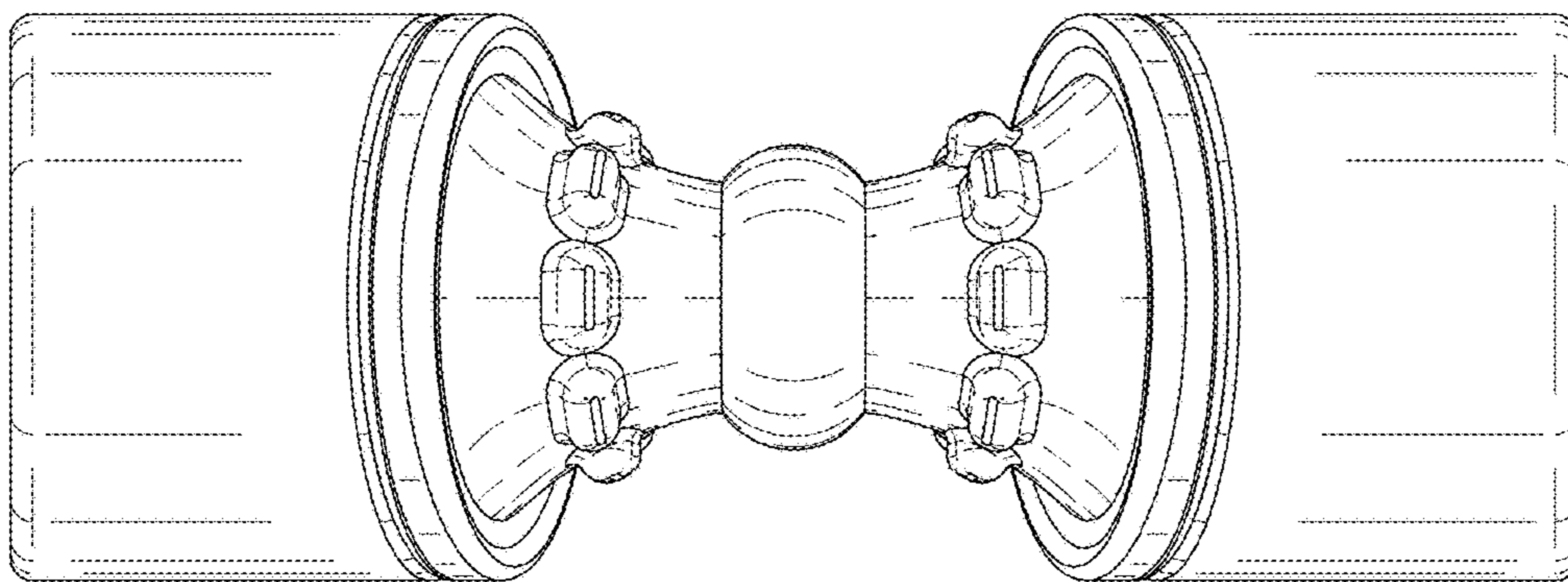


Fig. 2

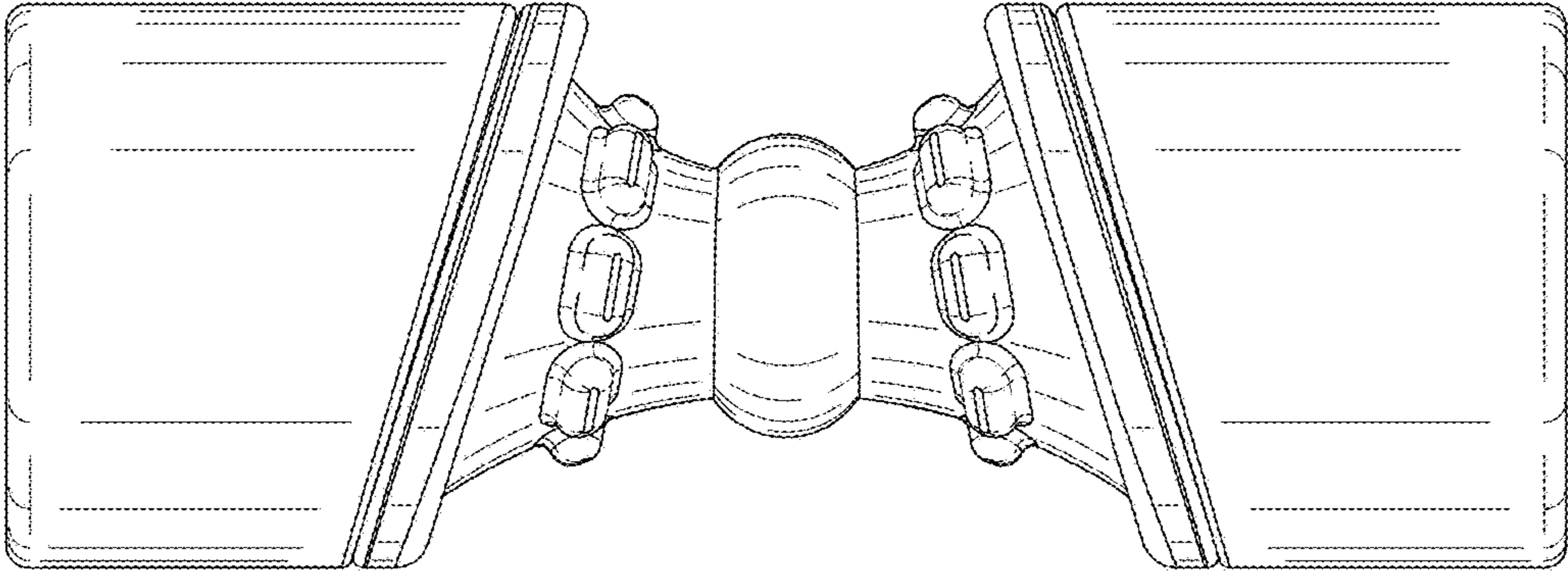


Fig. 4

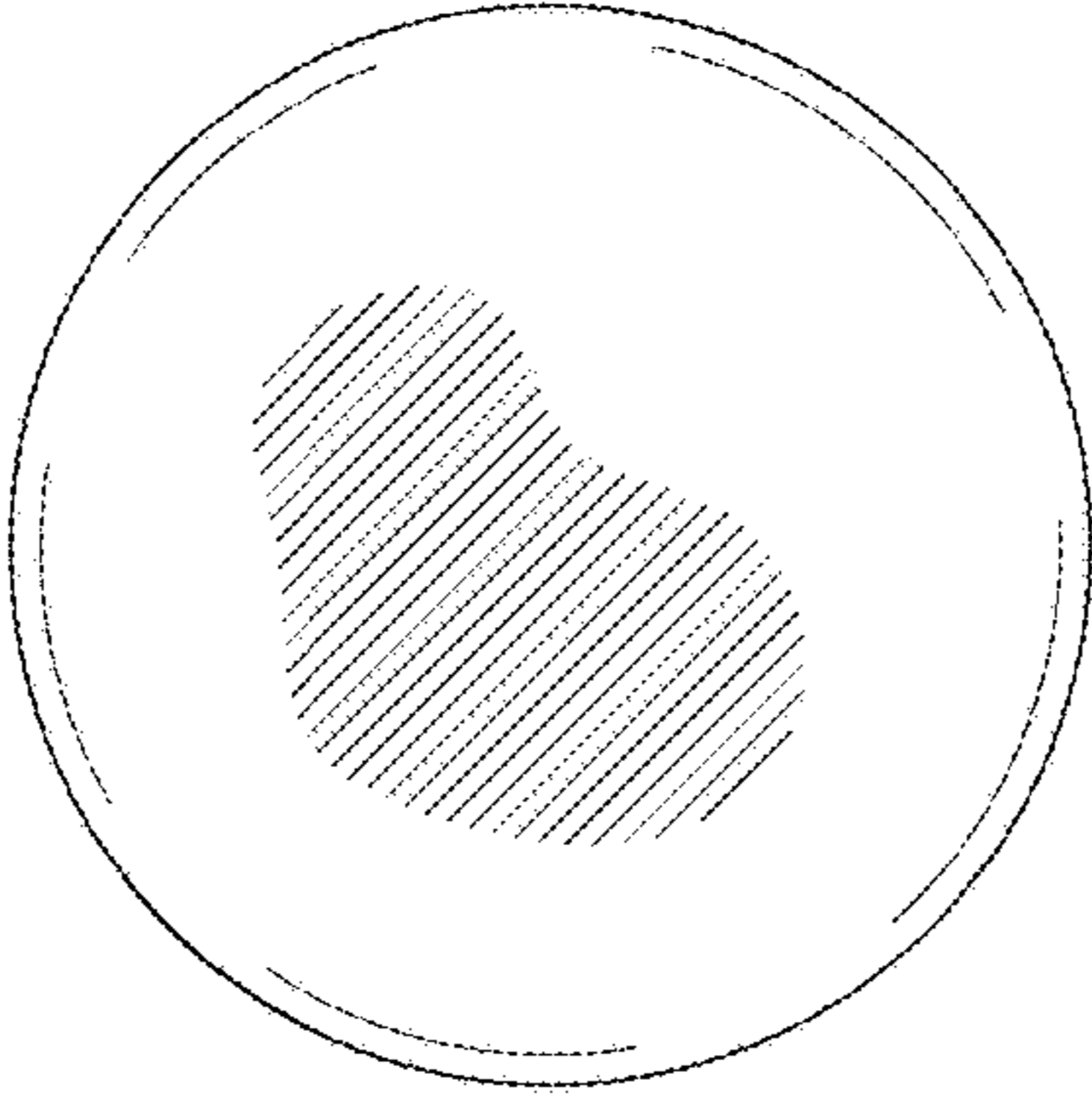


Fig. 5