



US00D818591S

(12) **United States Design Patent** (10) **Patent No.:** **US D818,591 S**
Asai et al. (45) **Date of Patent:** **** May 22, 2018**

(54) **X-RAY IMAGING DEVICE FOR MEDICAL TREATMENT**

(71) Applicant: **KONICA MINOLTA, INC.**,
Chiyoda-ku, Tokyo (JP)

(72) Inventors: **Tomonari Asai**, Hachioji (JP); **Sei Mitsui**, Saitama (JP); **Takanori Oshima**, Saitama (JP); **Kohei Miyoshi**, Hachioji (JP)

(73) Assignee: **KONICA MINOLTA, INC.**,
Chiyoda-Ku, Tokyo (JP)

(**) Term: **15 Years**

(21) Appl. No.: **29/579,129**

(22) Filed: **Sep. 28, 2016**

(30) **Foreign Application Priority Data**

Apr. 5, 2016 (JP) 2016-007535

(51) **LOC (11) Cl.** **24-01**

(52) **U.S. Cl.**
USPC **D24/158**

(58) **Field of Classification Search**
USPC D24/158-161, 186; D16/250; D14/435,
D14/481, 482
CPC H04N 5/367; G03B 42/04; A61B 6/4283
See application file for complete search history.

(56) **References Cited**

U.S. PATENT DOCUMENTS

D477,081 S * 7/2003 Takahashi D24/161
D601,254 S * 9/2009 Weichert D24/161

D659,249 S * 5/2012 Ogura D24/161
D716,947 S * 11/2014 Ogura D24/158
D727,502 S * 4/2015 Sul D24/158
D751,713 S * 3/2016 Ogura D24/158
D751,714 S * 3/2016 Ogura D24/158
D753,827 S * 4/2016 Sul D24/158
2013/0112884 A1 * 5/2013 Osawa G01T 1/202
250/366
2015/0293239 A1 * 10/2015 Miyoshi G01T 7/00
250/394

OTHER PUBLICATIONS

KonicaMinolta, AeroDR 3rd generation detector, Available in 2016.*

* cited by examiner

Primary Examiner — Anhdao Doan

(74) *Attorney, Agent, or Firm* — Buchanan Ingersoll & Rooney PC

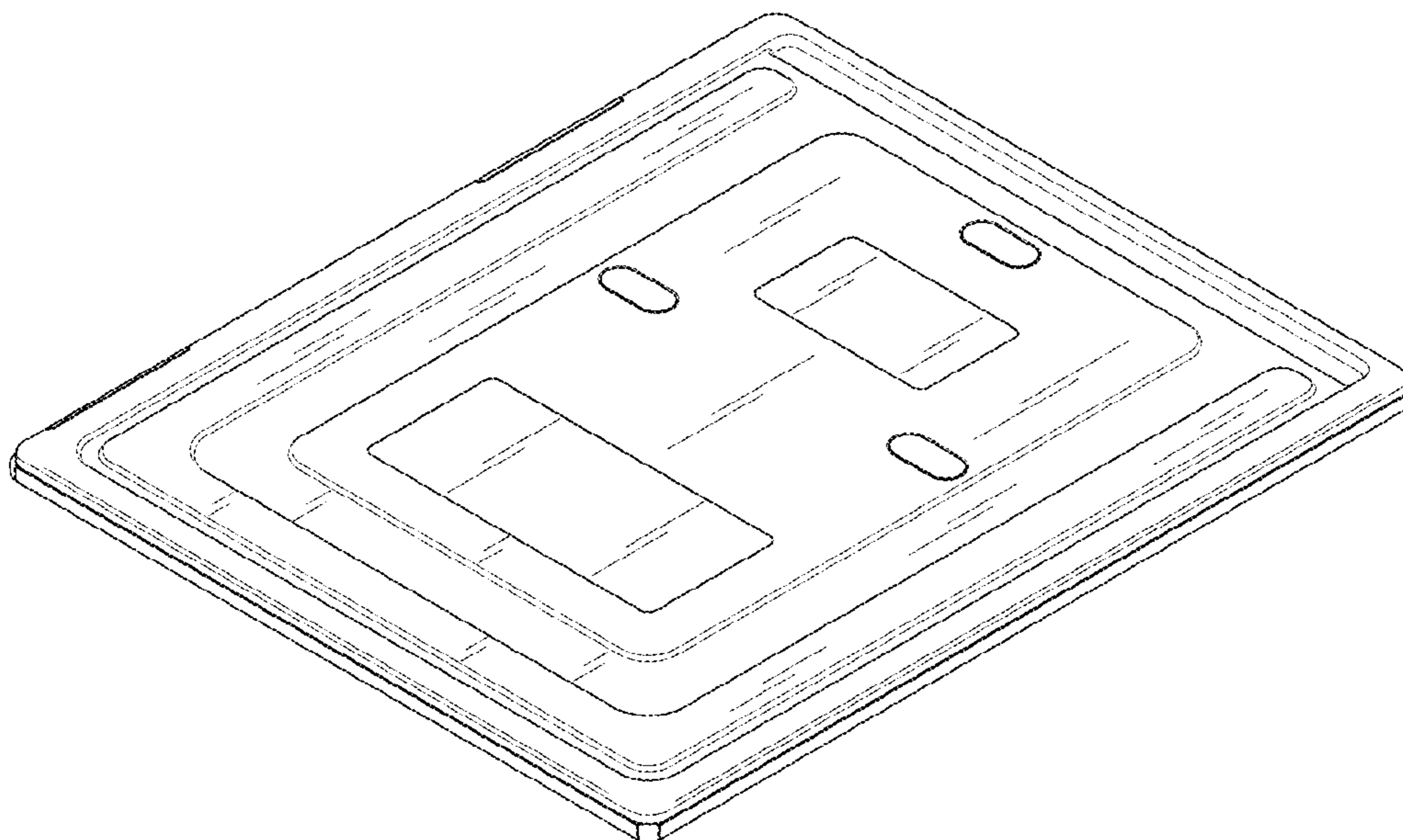
(57) **CLAIM**

The ornamental design for an X-ray imaging device for medical treatment, as shown and described.

DESCRIPTION

FIG. 1 is a first perspective view of an X-ray imaging device for medical treatment;
FIG. 2 is a second perspective view thereof;
FIG. 3 is a front view thereof;
FIG. 4 is a rear view thereof;
FIG. 5 is a left side view thereof;
FIG. 6 is a right side view thereof;
FIG. 7 is a top view thereof; and,
FIG. 8 is a bottom view thereof.

1 Claim, 4 Drawing Sheets



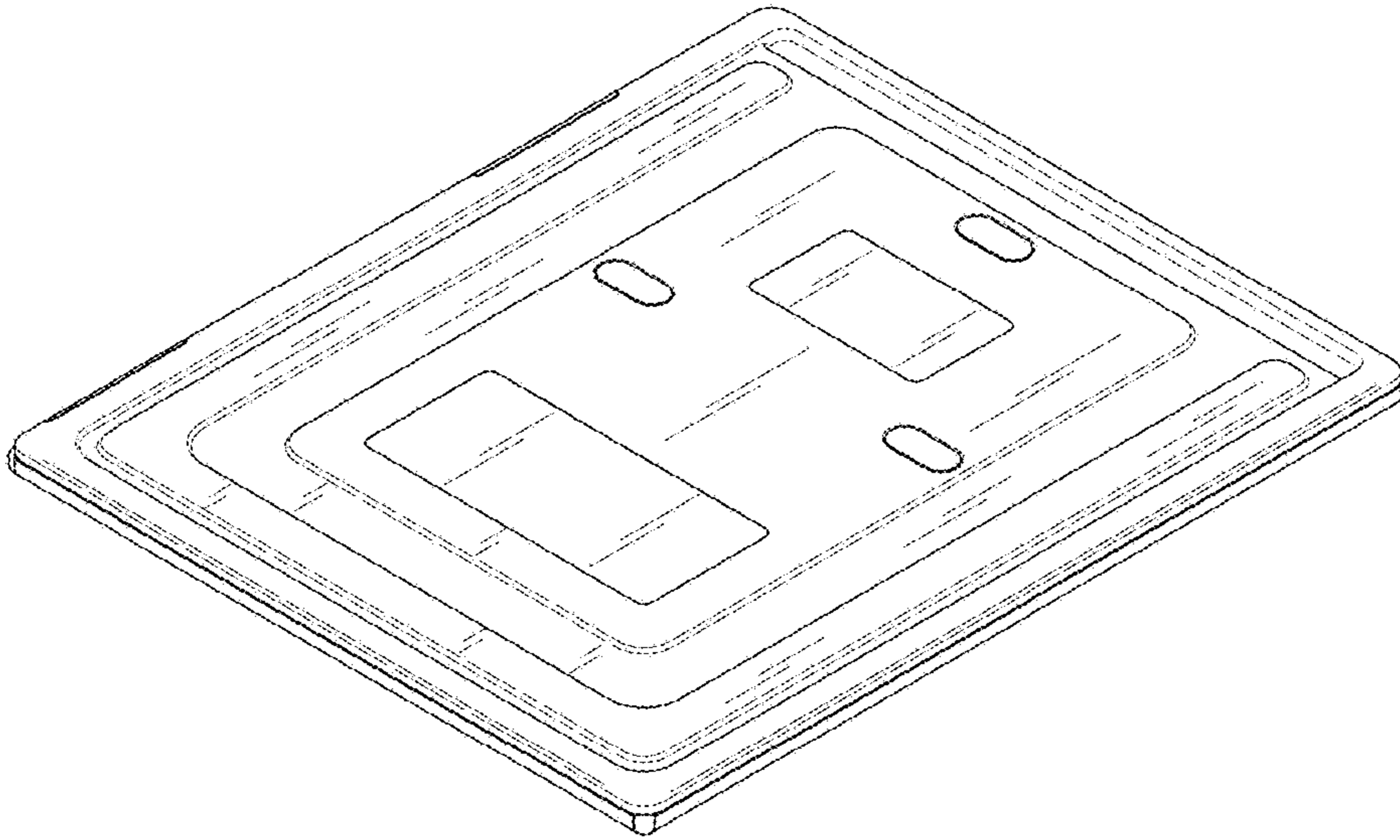


FIG. 1

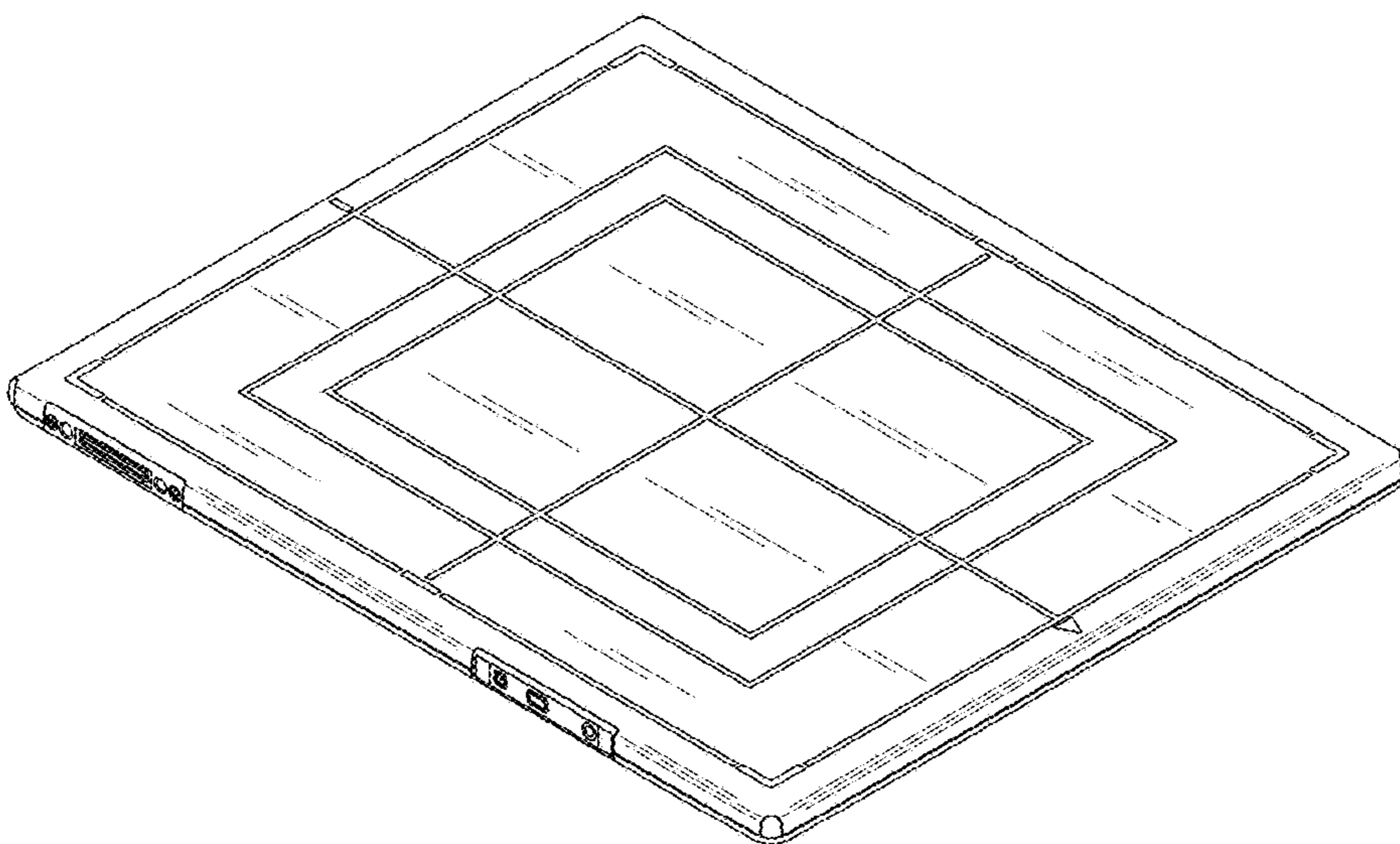


FIG. 2

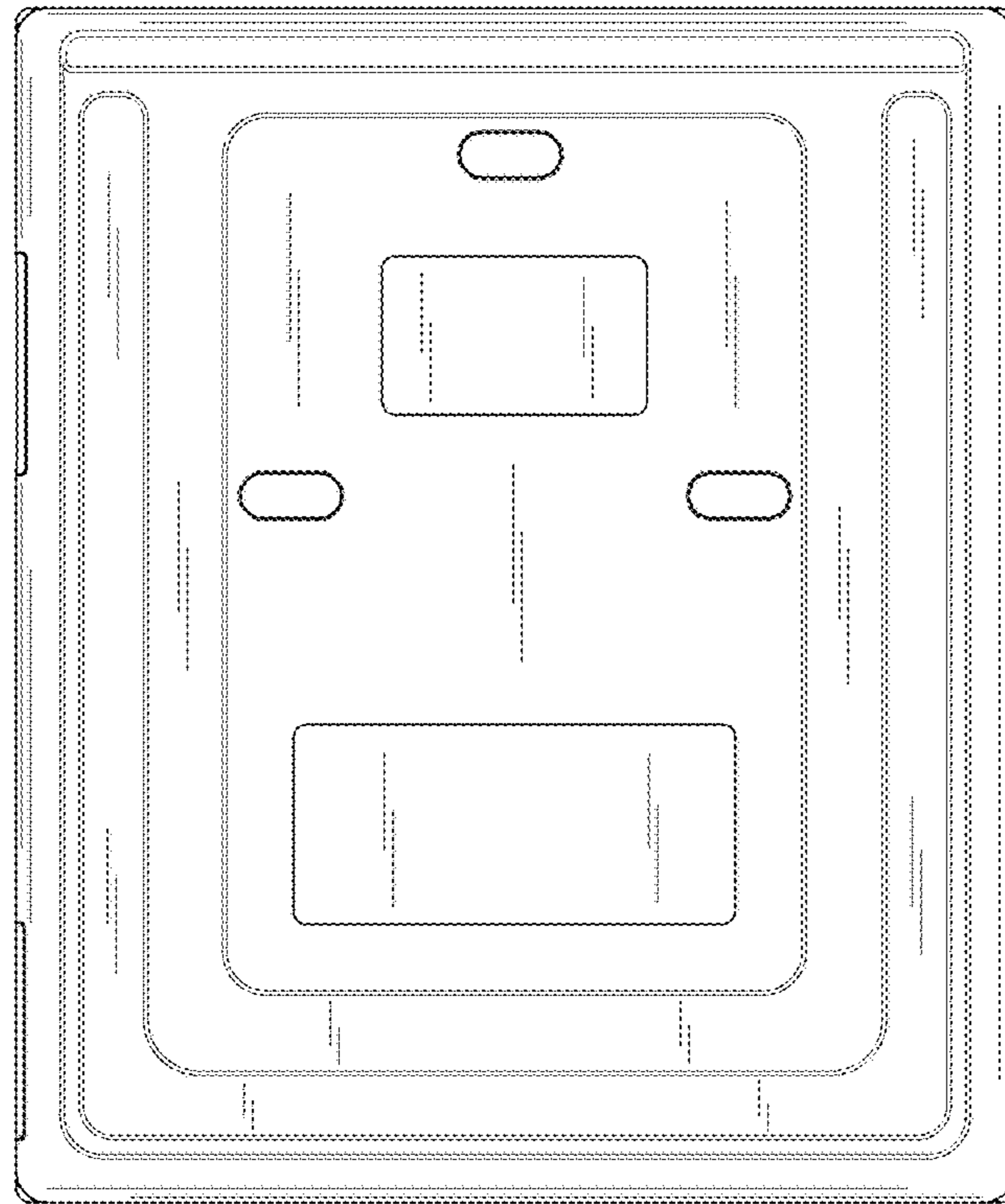


FIG. 3

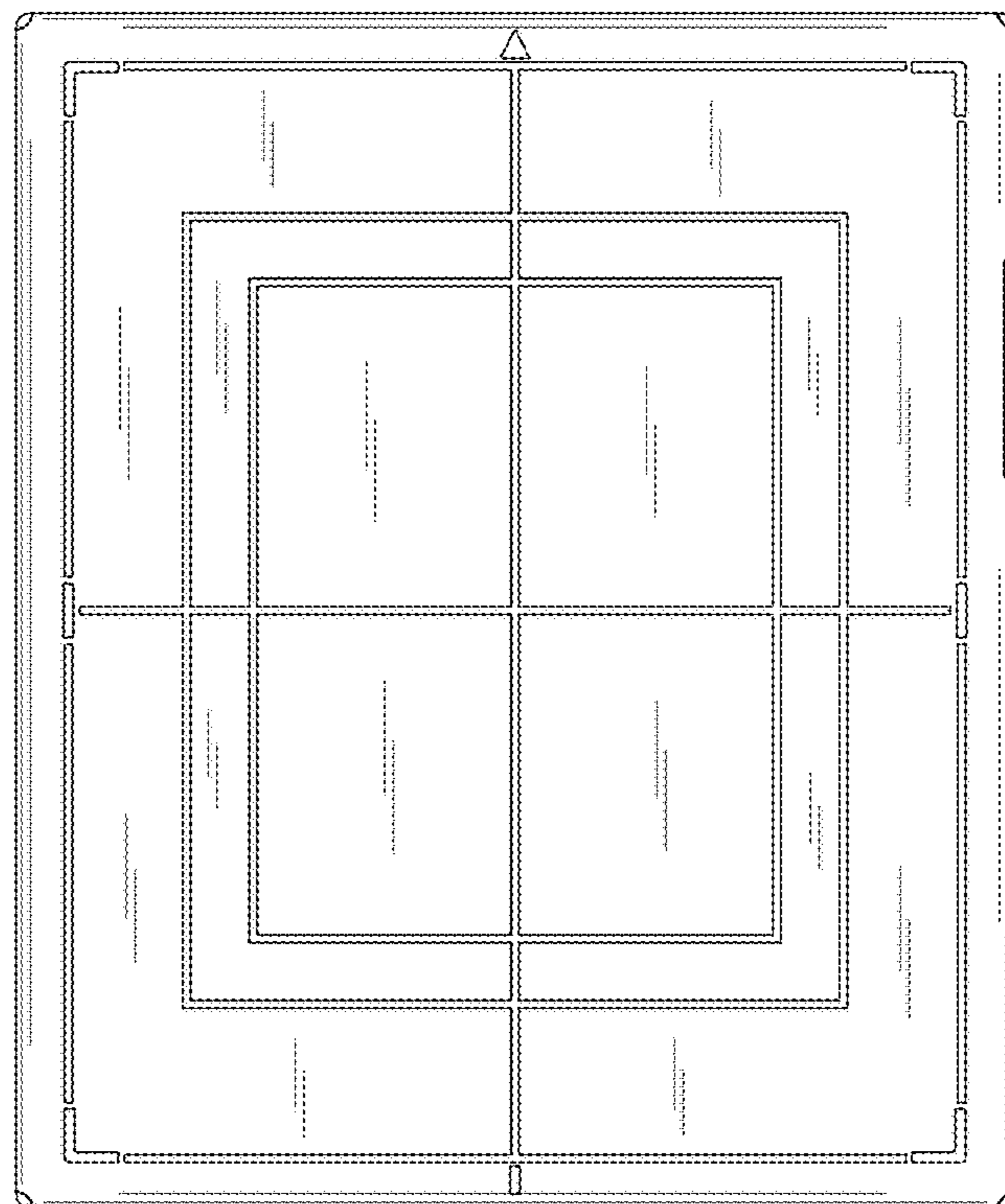


FIG. 4

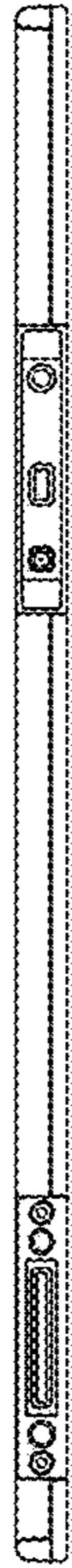


FIG. 5

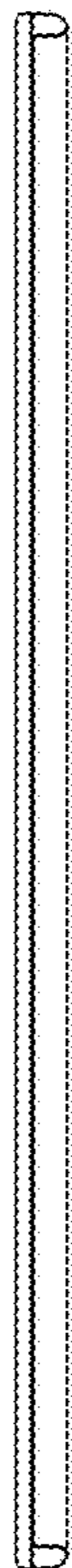


FIG. 6

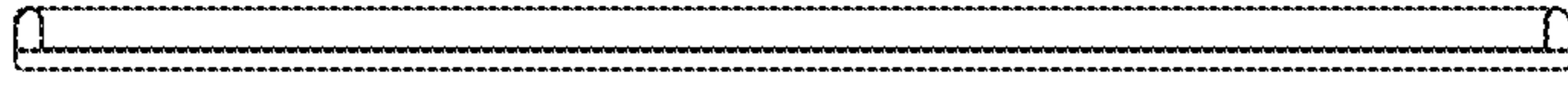


FIG. 7

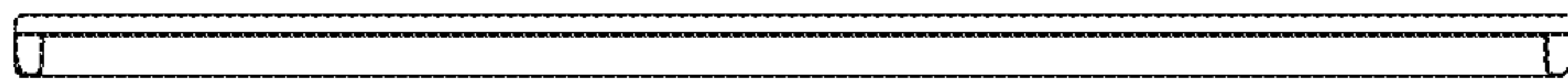


FIG. 8