



US00D818589S

(12) **United States Design Patent** (10) **Patent No.:** **US D818,589 S**
Black (45) **Date of Patent:** **** May 22, 2018**

(54) **MICRO-NEEDLE COLLAGEN INJECTOR TREATMENT DEVICE**

8,721,574 B2 * 5/2014 Han A61H 15/0092
601/119
9,144,434 B1 * 9/2015 Rodan A61B 17/3205
D805,199 S * 12/2017 Chen D24/146
2006/0042648 A1 3/2006 Teller
2009/0312691 A1 * 12/2009 Kim A61H 15/0092
604/22

(71) Applicant: **Ashley Diana Black International Holdings, LLC**, Pearland, TX (US)

(72) Inventor: **Ashley D. Black**, Pearland, TX (US)

(Continued)

(73) Assignee: **Ashley Diana Black International Holdings, LLC**, Pearland, TX (US)

FOREIGN PATENT DOCUMENTS

(**) Term: **15 Years**

CN 2012302229214 1/2013
KR 3006024480001 6/2011
KR 3007213220000 12/2013

(21) Appl. No.: **29/630,862**

OTHER PUBLICATIONS

(22) Filed: **Dec. 22, 2017**

XL Micro Needle Roller 0.5 MM for Body, www.skinmedix.com, Aug. 8, 2017.

(51) **LOC (11) Cl.** **24-02**

(Continued)

(52) **U.S. Cl.**

USPC **D24/147**; D24/133; D24/130; D28/9

(58) **Field of Classification Search**

USPC D24/108, 112, 113, 114, 115, 127, 133, D24/146, 147, 148, 149, 151, 214, 215, D24/231; D28/7, 9, 44, 57, 59, 62; D7/669, 682, 697; D32/25, 40, 35

CPC A61M 5/3287; A61M 5/3295; A61M 5/3297; A61M 5/3298; A61M 2037/0023; A61M 2037/0061; A61M 37/00; A61M 37/0015; A61H 15/0092; A61H 2015/0014; A61H 23/0263; A45D 2/2471; A46B 2200/104; G01M 17/0074

See application file for complete search history.

Primary Examiner — Thomas Johannes
Assistant Examiner — Samantha Q. Lawrence
(74) *Attorney, Agent, or Firm* — Dentons US LLP

(57) **CLAIM**

The ornamental design for a micro-needle collagen injector treatment device, as shown and described.

DESCRIPTION

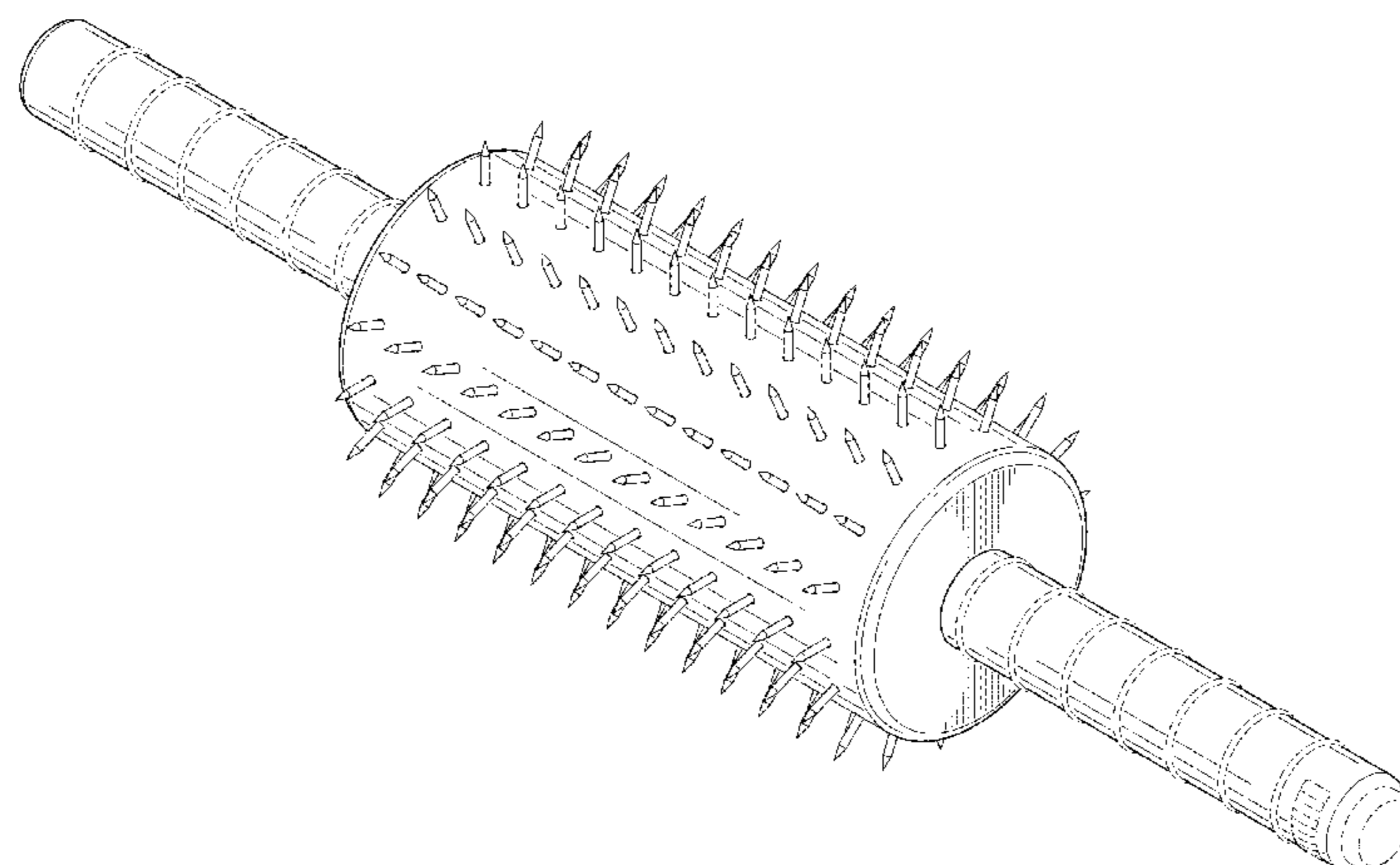
FIG. 1 is a front perspective view of a micro-needle collagen injector treatment device;
FIG. 2 is a front elevational view of the device of FIG. 1;
FIG. 3 is a rear elevational view of the device of FIG. 1;
FIG. 4 is a right-side elevational view of the device of FIG. 1;
FIG. 5 is a left-side elevational view of the device of FIG. 1;
FIG. 6 is a top view of the device of FIG. 1; and,
FIG. 7 is a bottom view of the device of FIG. 1.
The broken lines shown in FIGS. 1-7 illustrate portions of the micro-needle collagen injector treatment device that form no part of the claimed design.

(56) **References Cited**

U.S. PATENT DOCUMENTS

D365,971 S * 1/1996 Brockmann D7/682
D369,361 S 4/1996 Satake
D401,815 S * 12/1998 Filipovic D7/682
D402,858 S 12/1998 Iannuzzi et al.
6,405,586 B1 6/2002 Salvisberg
D481,268 S * 10/2003 Hibbert D7/669
D622,920 S 8/2010 Bejtlich, III
D704,852 S 5/2014 Yang

1 Claim, 4 Drawing Sheets



(56)

References Cited

U.S. PATENT DOCUMENTS

2011/0139172 A1* 6/2011 Silva A45D 1/04
132/269
2012/0233799 A1* 9/2012 Skaare A46B 7/02
15/171
2013/0150826 A1* 6/2013 Almohizea A61M 5/00
604/506
2014/0366910 A1* 12/2014 Habibi A45D 20/52
132/227
2016/0286950 A1* 10/2016 Dipippo A46B 17/06

OTHER PUBLICATIONS

Vintage Wood Rolling Pin—Lefse—Waffle Pattern—Made in Sweden, Ebay.com.

Thereapy in Motion Spikey Ball Massage Roller Bar, Vivomed Therapy in Motion, vivomed.com, Aug. 8, 2017.

Professional non-stick Silicone Surface rolling pin, alibaba.com, Aug. 8, 2017.

ORA Face Micro needle Dermal Roller System, makemeheal.com, Aug. 8, 2017.

Muscle massage roller, trigger point and deep tissue massage tool with mini foam roller for physical therapy, relief from aches & pains, faster recovery to feel good, Amazon.com, Aug. 8, 2017.

Intey muscle roller stick manual body massager for deep tissue relief self tight leg muscle massage, amazon.com, Aug. 8, 2017.

Kifit 1pc Portable Travel Fitness Massager Roller Stick Sports Muscle Leg Arm Full Body Roller Massage Stick Soothes Pain Relief, aliexpress.com, Aug. 8, 2017.

Massage Roller stick, globalsources.com, Aug. 8, 2017.

* cited by examiner

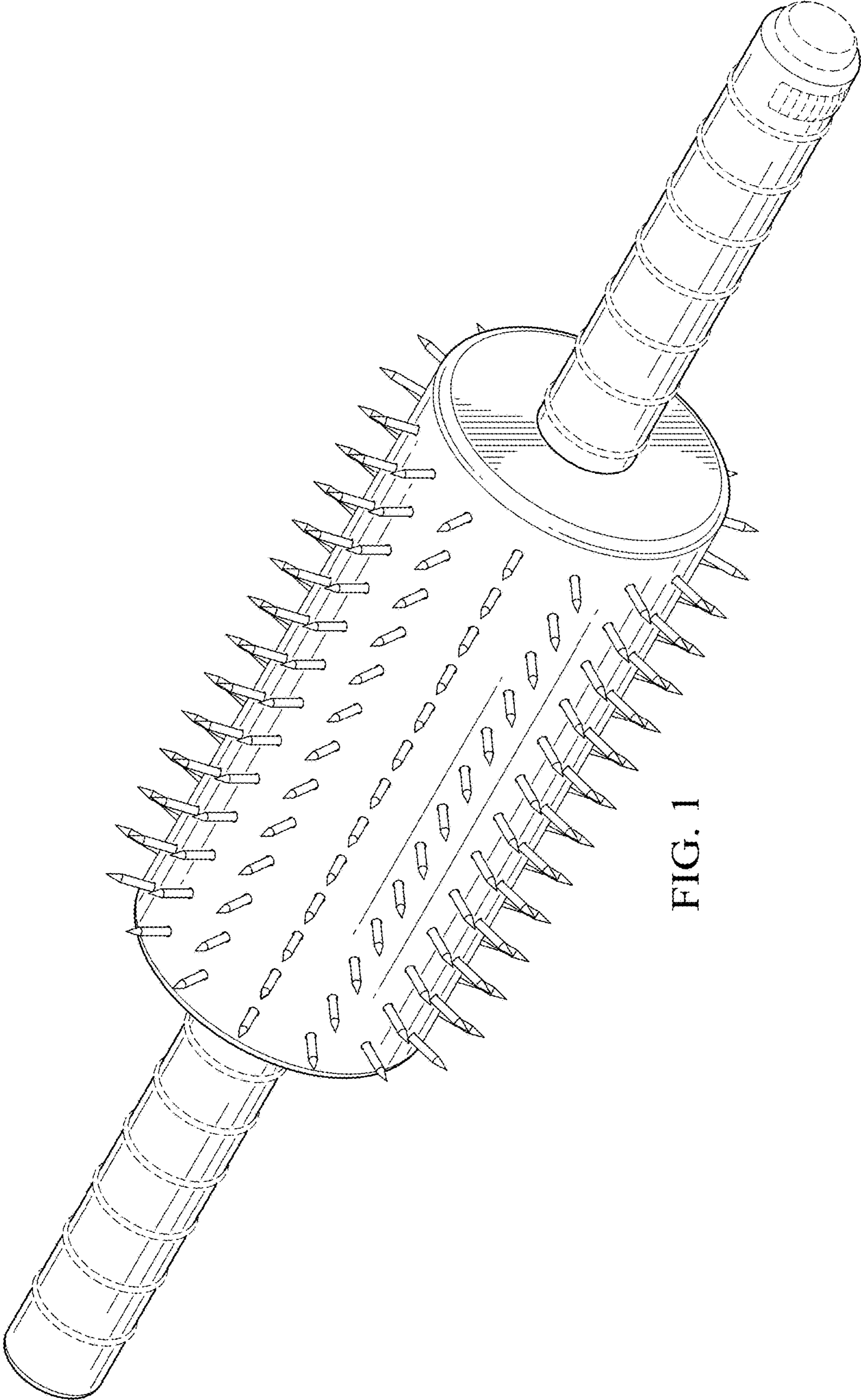


FIG. 1

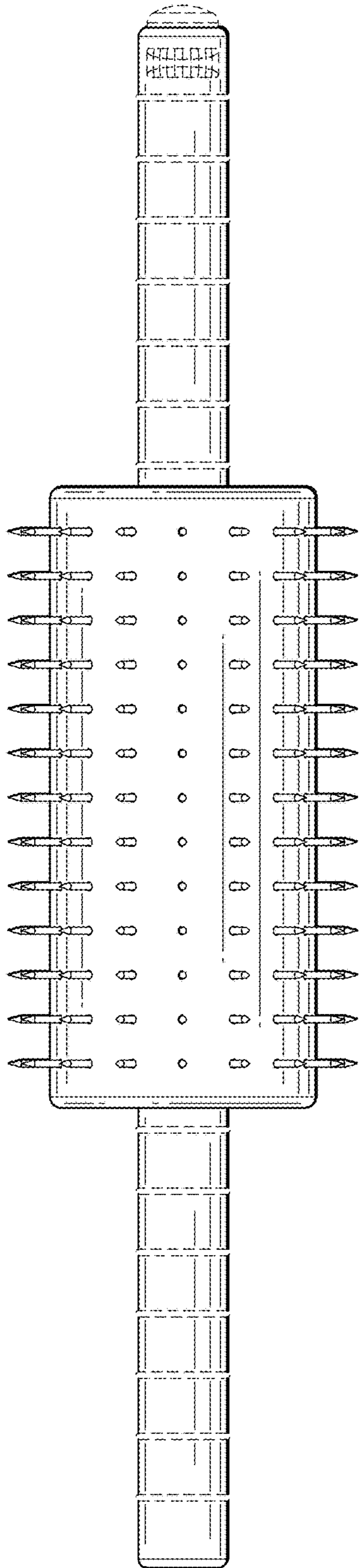


FIG. 2

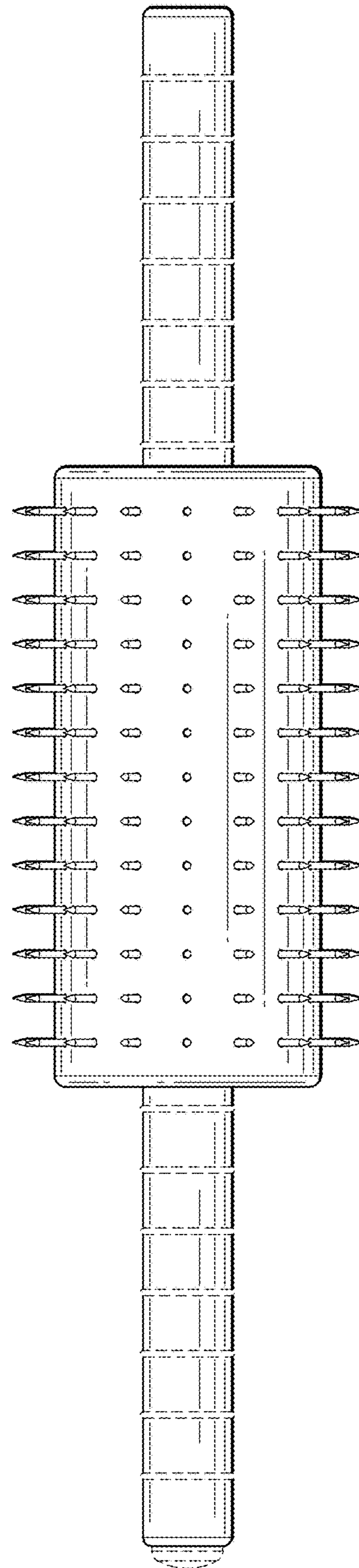


FIG. 3

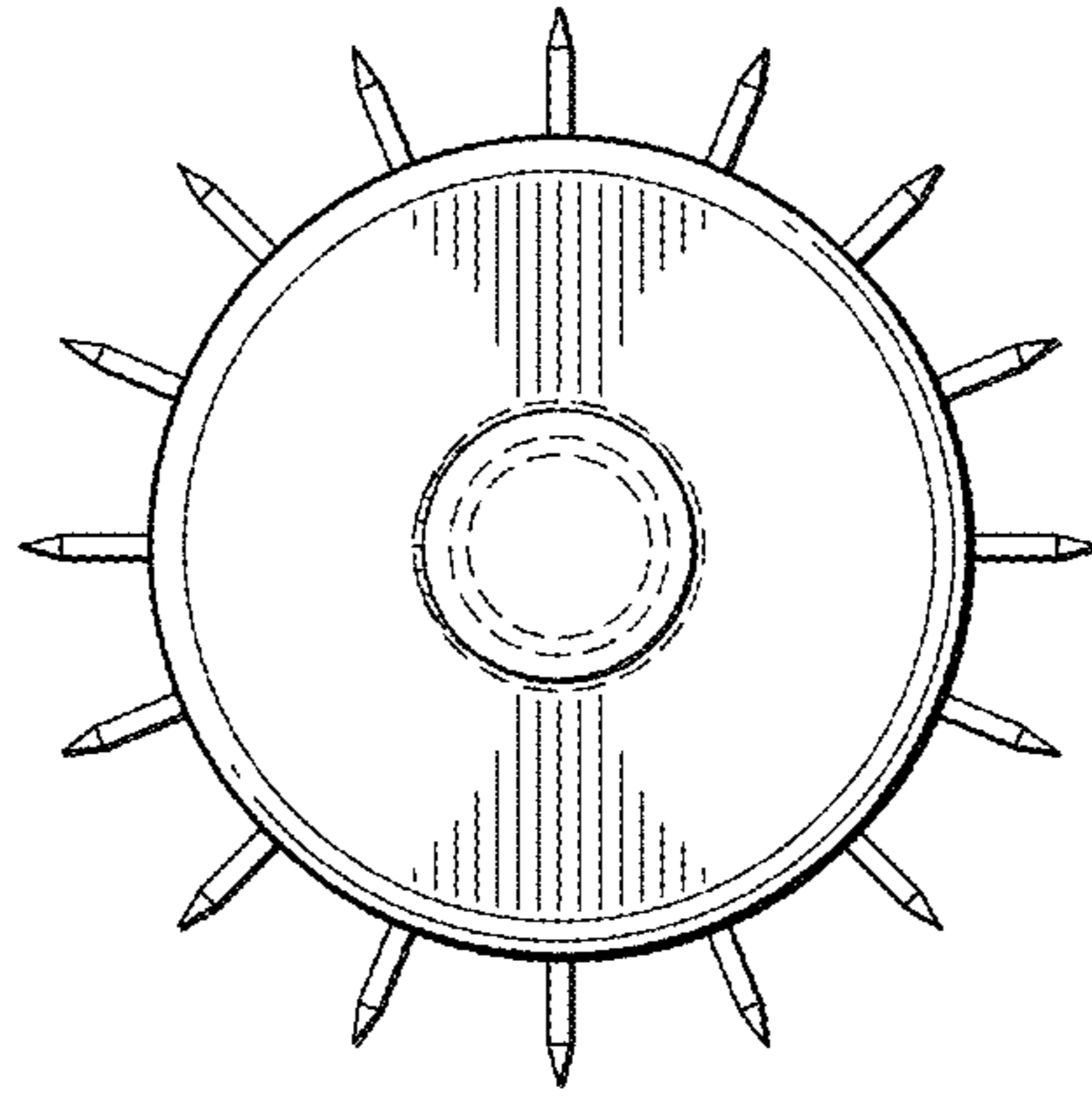


FIG. 4

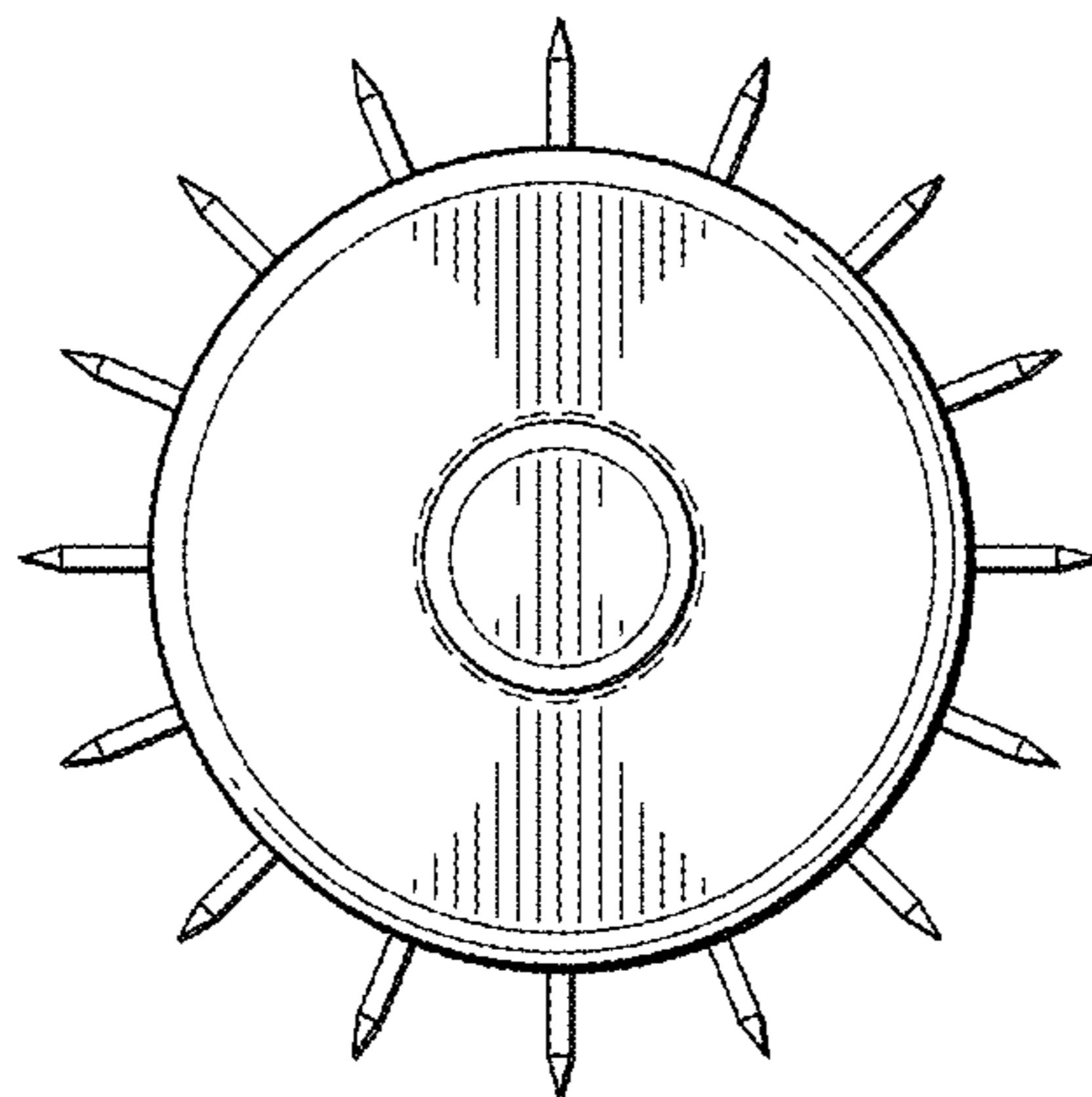


FIG. 5

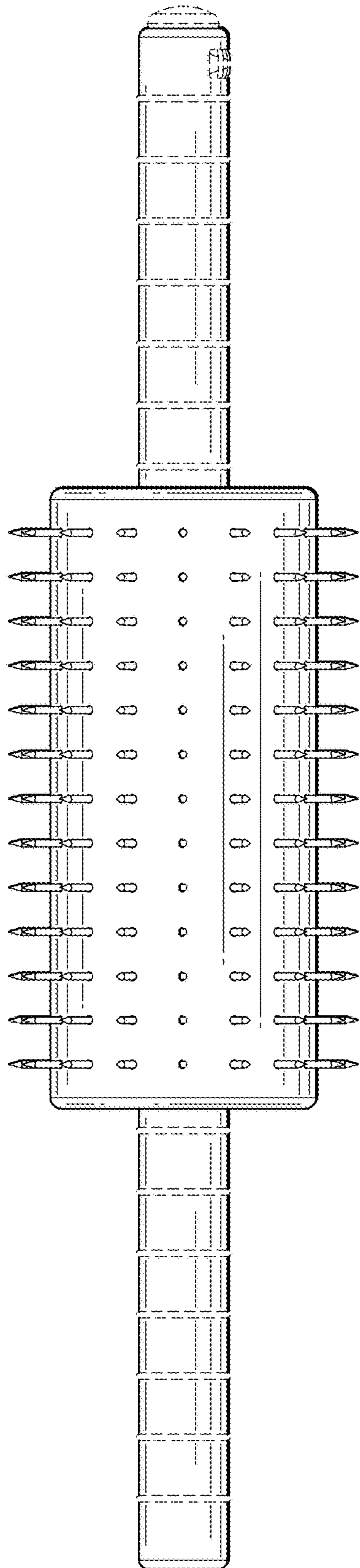


FIG. 6

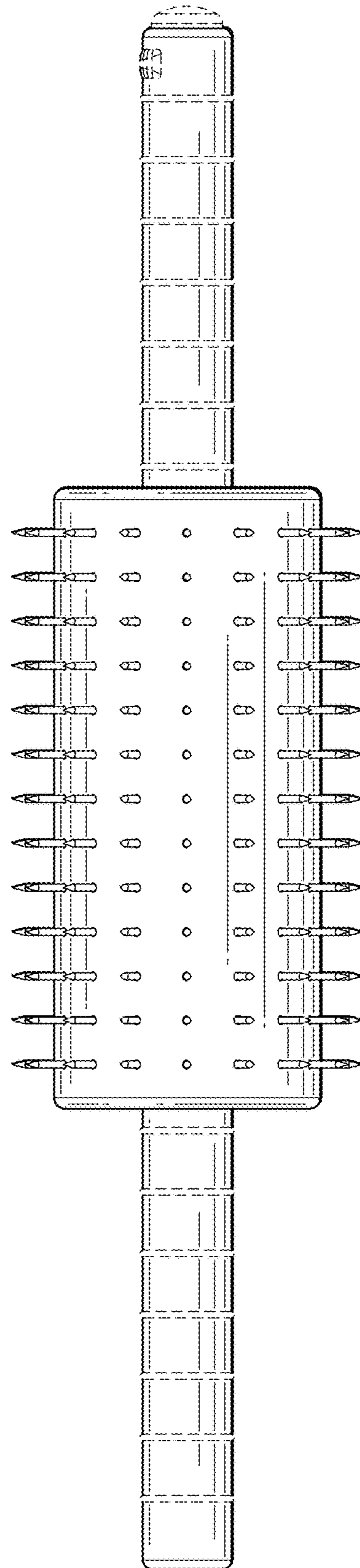


FIG. 7