



US00D818588S

(12) **United States Design Patent** (10) **Patent No.:** **US D818,588 S**
Black (45) **Date of Patent:** **** May 22, 2018**

(54) **MICRO-NEEDLE COLLAGEN TREATMENT DEVICE**

2009/0312691 A1 12/2009 Kim et al.
2010/0262081 A1* 10/2010 Lee A61M 37/0015
604/173
2013/0150826 A1* 6/2013 Almohizea A61M 5/00
604/506

(71) Applicant: **Ashley Diana Black International Holdings, LLC**, Pearland, TX (US)

(Continued)

(72) Inventor: **Ashley D. Black**, Pearland, TX (US)

FOREIGN PATENT DOCUMENTS

(73) Assignee: **Ashley Diana Black International Holdings, LLC**, Pearland, TX (US)

GB 3005805 7/2002
KR 3004151480000 5/2006
KR 3006024480001 6/2011

(**) Term: **15 Years**

OTHER PUBLICATIONS

(21) Appl. No.: **29/630,837**

Double abdominal roller with two handles the exercise tool, 123rf.com, accessed Aug. 8, 2017.

(22) Filed: **Dec. 22, 2017**

(Continued)

(51) **LOC (11) Cl.** **24-02**

(52) **U.S. Cl.**

USPC **D24/147**; D24/133; D24/130; D28/9

(58) **Field of Classification Search**

USPC D24/108, 112, 113, 114, 115, 127, 133, D24/146, 147, 148, 149, 151, 214, 215, D24/231; D28/7, 9, 44, 57, 59, 62; D7/669, 682, 697

CPC A61M 5/3287; A61M 5/3295; A61M 5/3297; A61M 5/3298; A61M 2037/0023; A61M 2037/0061; A61M 37/00; A61M 37/0015; A61H 15/0092; A61H 23/0263

See application file for complete search history.

Primary Examiner — Thomas Johannes

Assistant Examiner — Samantha Q. Lawrence

(74) *Attorney, Agent, or Firm* — Dentons US LLP

(57) **CLAIM**

The ornamental design for a micro-needle collagen treatment device, as shown and described.

DESCRIPTION

FIG. 1 is a front perspective view of a micro-needle collagen treatment device;

FIG. 2 is a front elevational view of the device of FIG. 1;

FIG. 3 is a rear elevational view of the device of FIG. 1;

FIG. 4 is a right-side elevational view of the device of FIG. 1;

FIG. 5 is a left-side elevational view of the device of FIG. 1;

FIG. 6 is a top view of the device of FIG. 1; and,

FIG. 7 is a bottom view of the device of FIG. 1.

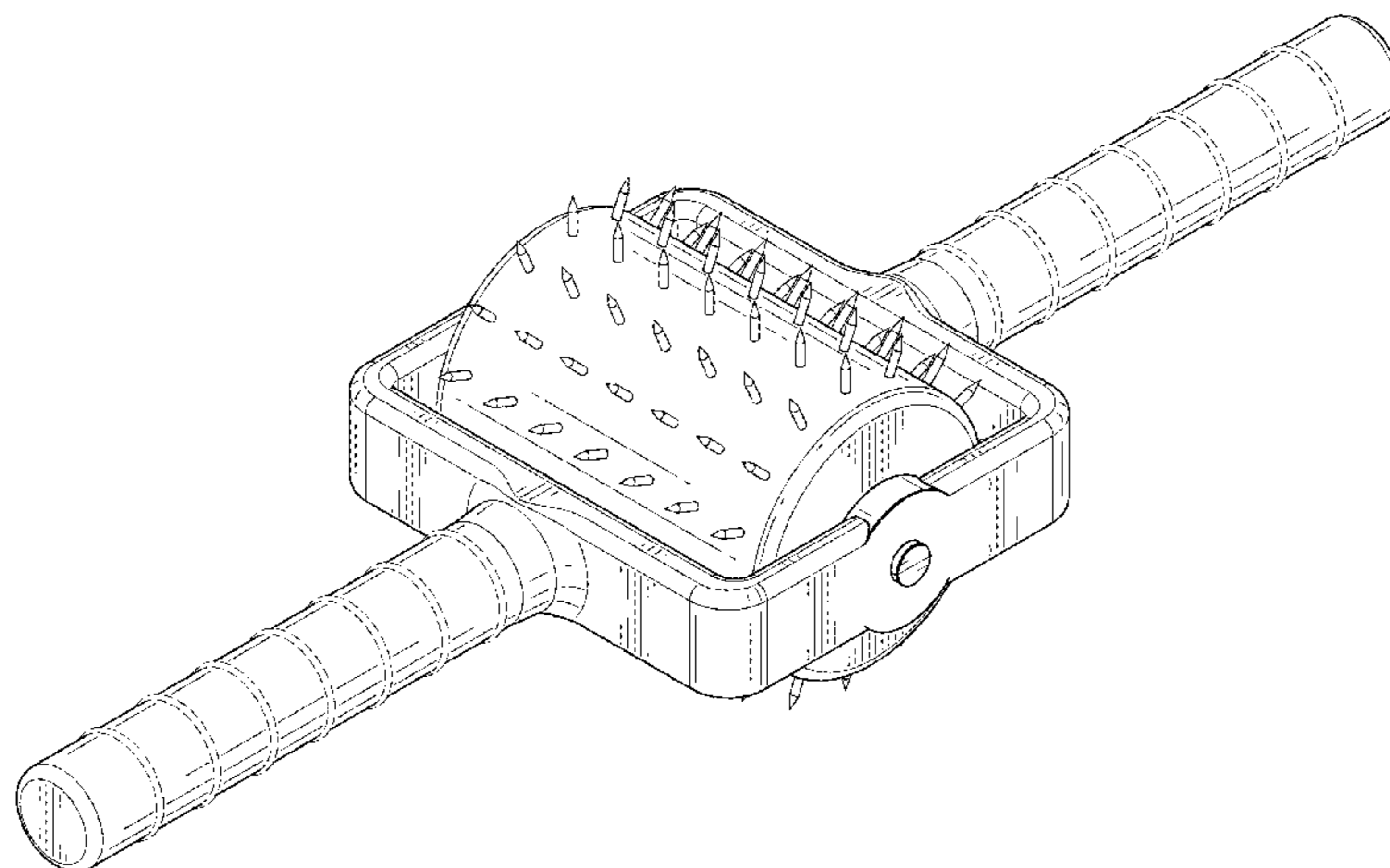
The broken lines shown in FIGS. 1-7 illustrate portions of the micro-needle collagen treatment device that form no part of the claimed design.

(56) **References Cited**

U.S. PATENT DOCUMENTS

D401,815 S * 12/1998 Filipovic D7/682
D481,268 S * 10/2003 Hibbert D7/669
8,721,574 B2 * 5/2014 Han A61H 15/0092
601/119
9,144,434 B1 * 9/2015 Rodan A61B 17/3205
D754,868 S 4/2016 Hendrickson
D794,197 S * 8/2017 Powell D24/130
2008/0161735 A1 * 7/2008 Lee A61H 15/0092
601/125

1 Claim, 5 Drawing Sheets



(56)

References Cited

U.S. PATENT DOCUMENTS

2017/0181822 A1* 6/2017 Peuker A61C 19/08

OTHER PUBLICATIONS

Ora Face Microneedle Dermal Roller System, www.makemeheal.com, accessed Aug. 8, 2017.

XL Micro Needle Roller 0.5MM for Body, www.skinmedix.com, accessed Aug. 8, 2017.

* cited by examiner

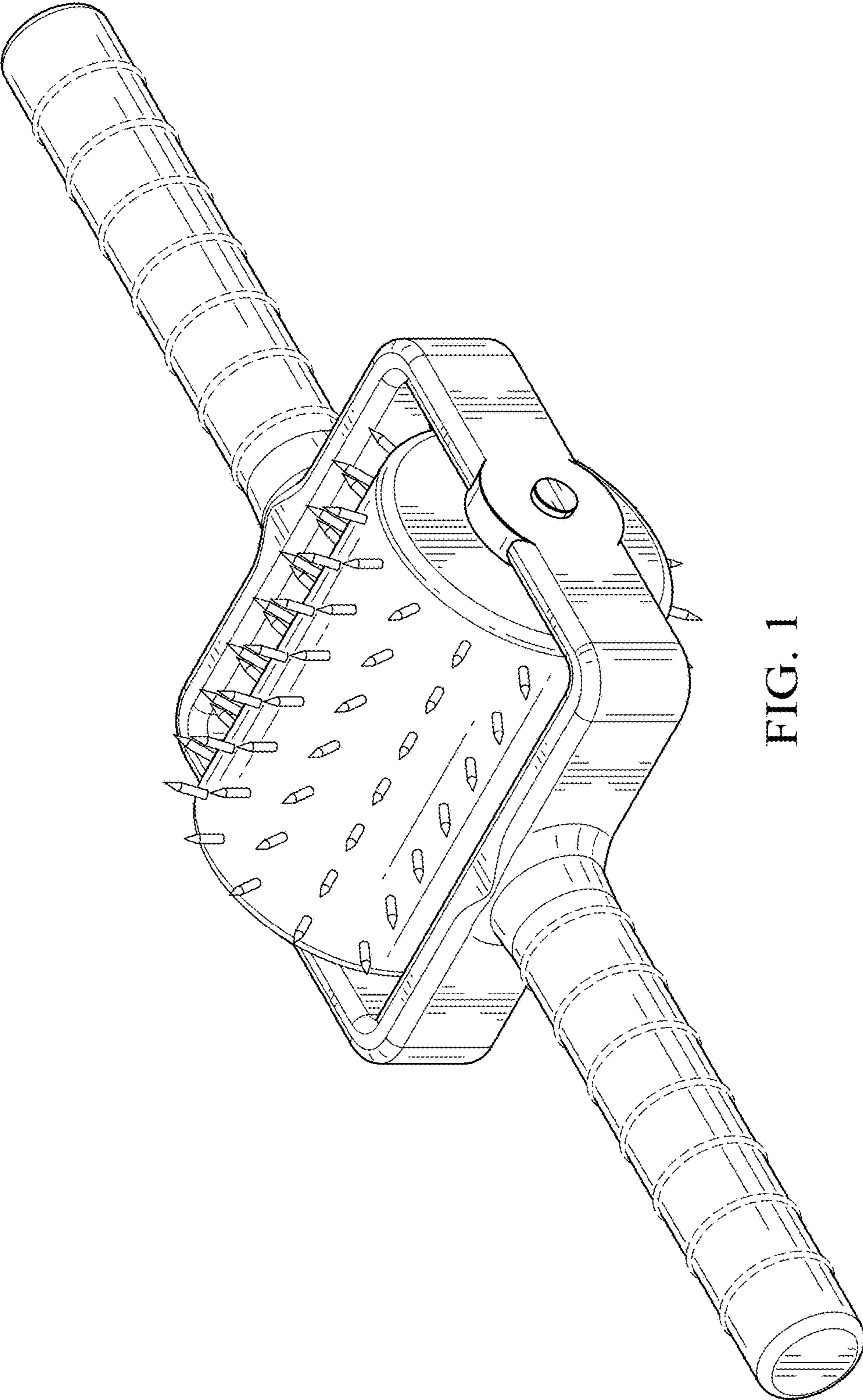


FIG. 1

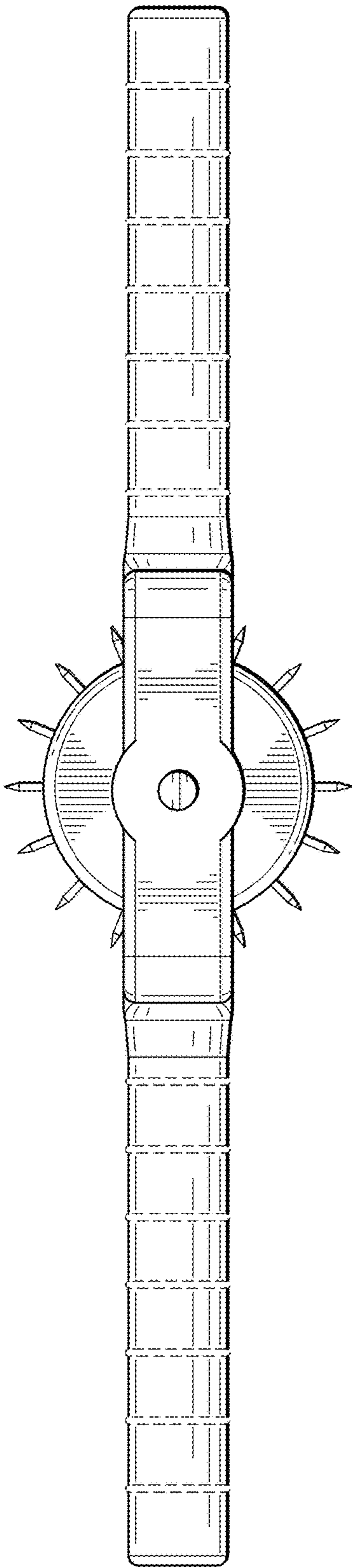


FIG. 2

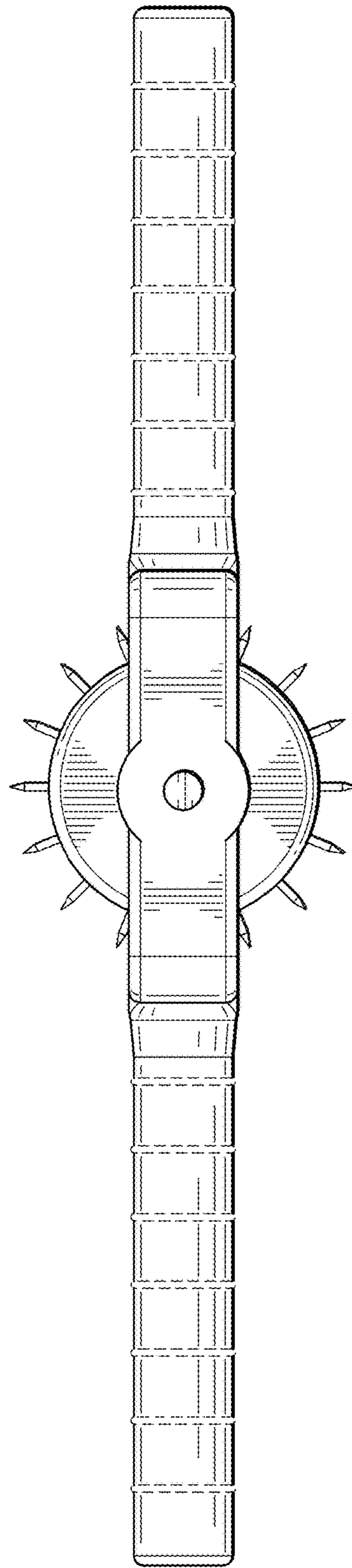


FIG. 3

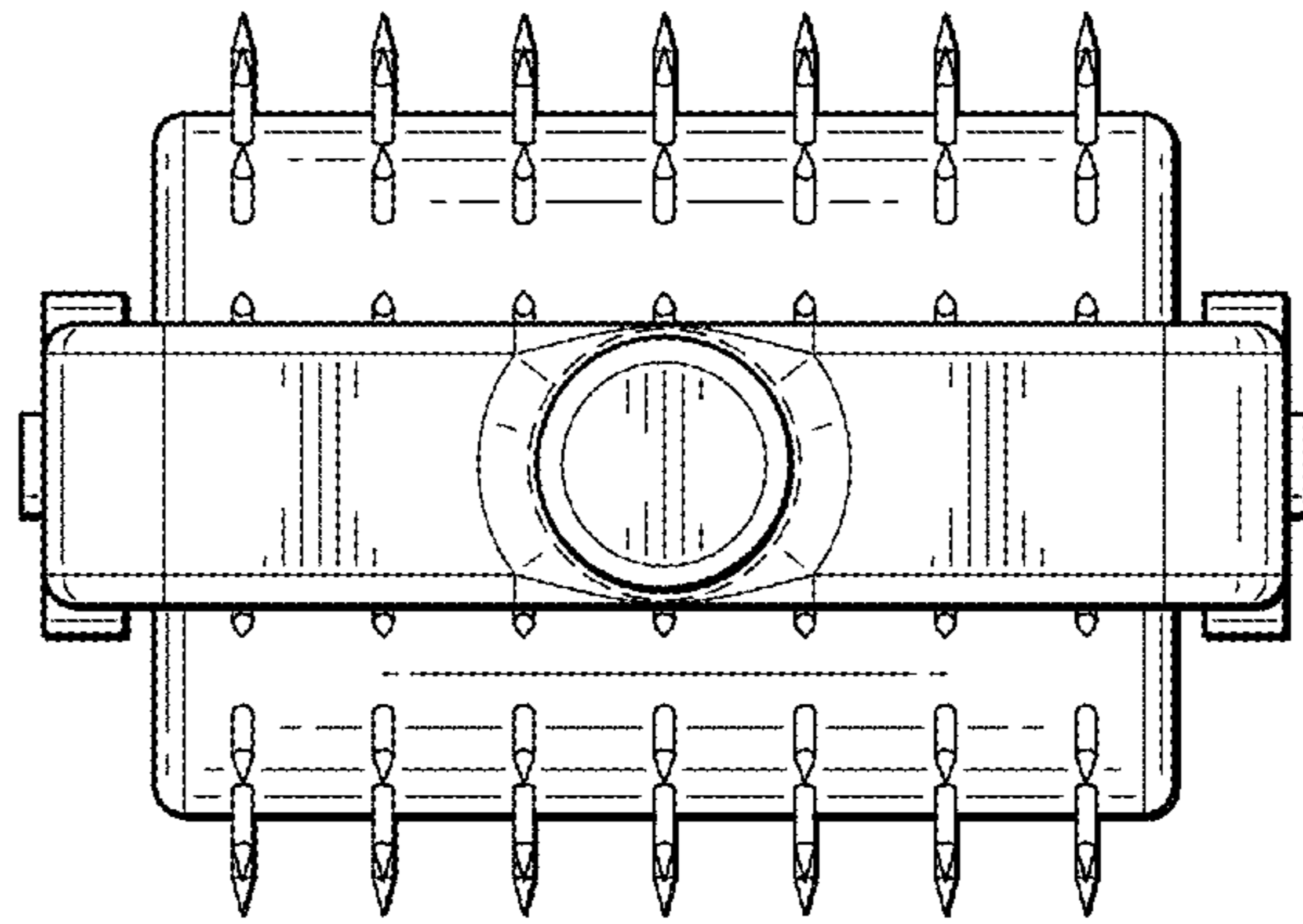


FIG. 4

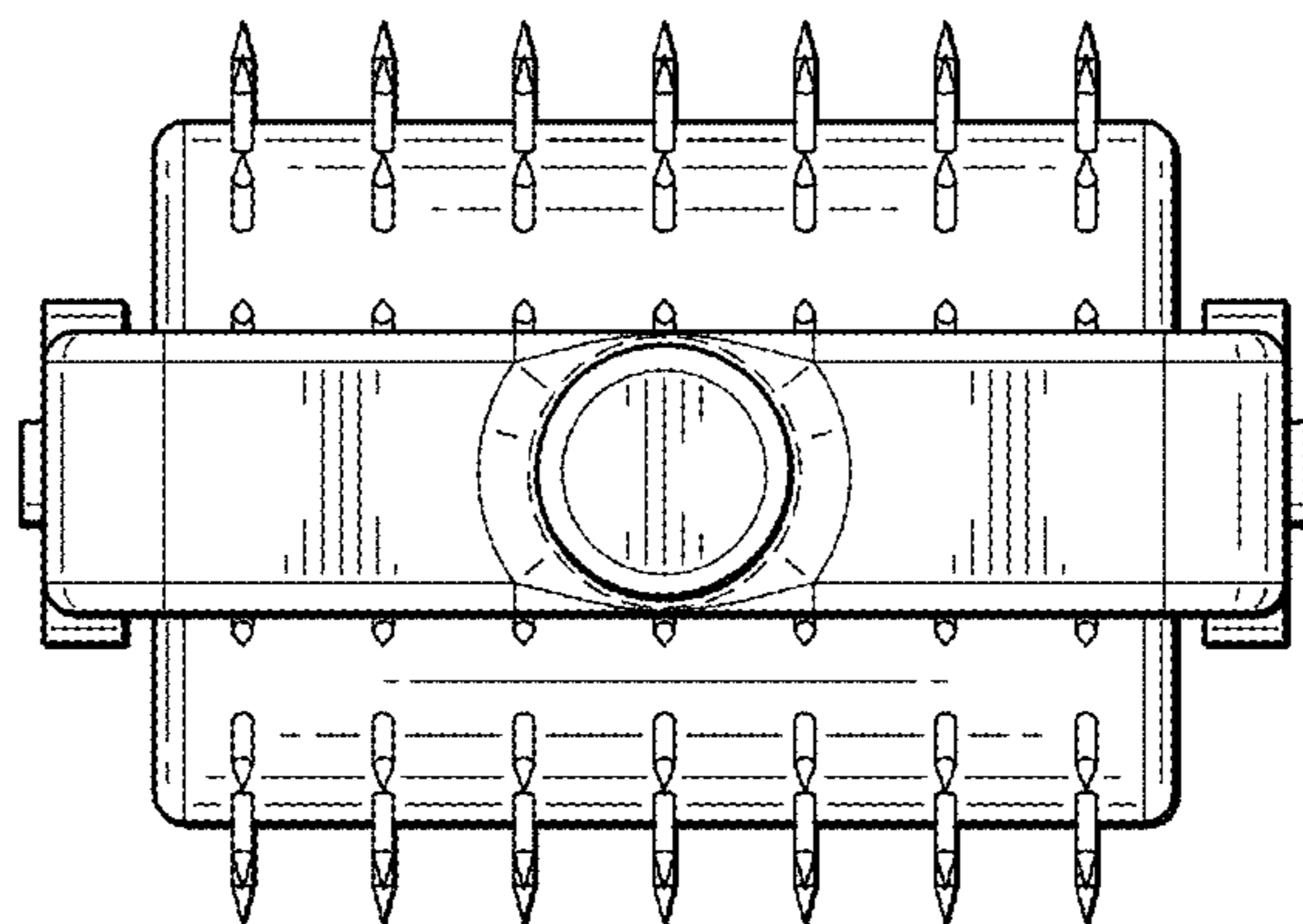


FIG. 5

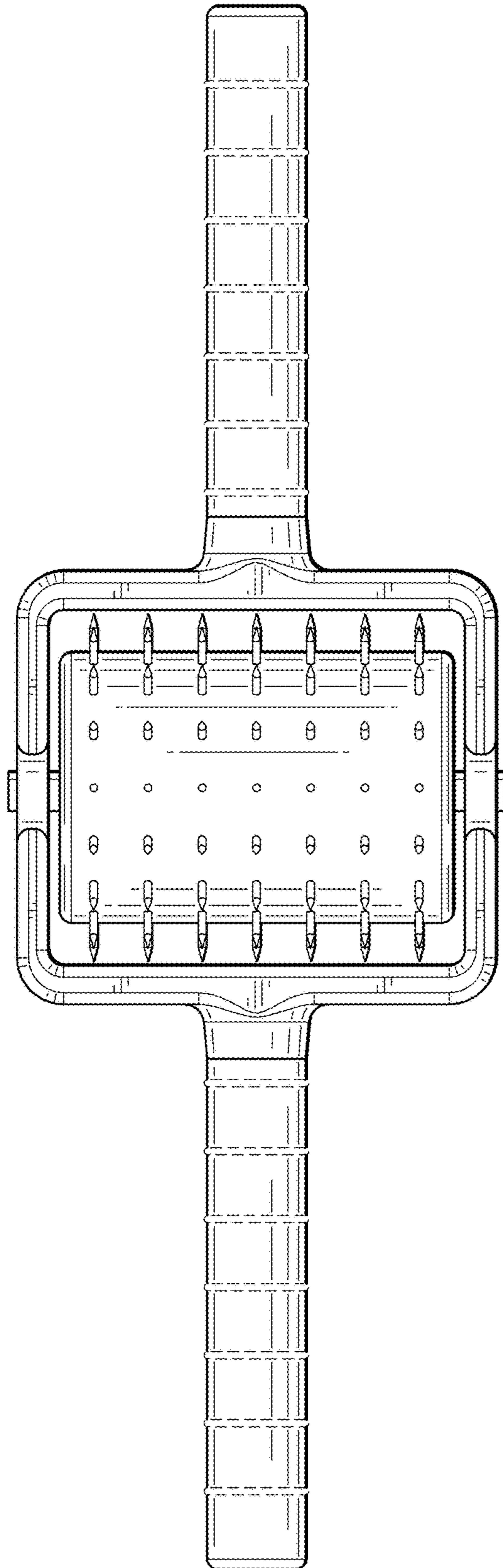


FIG. 6

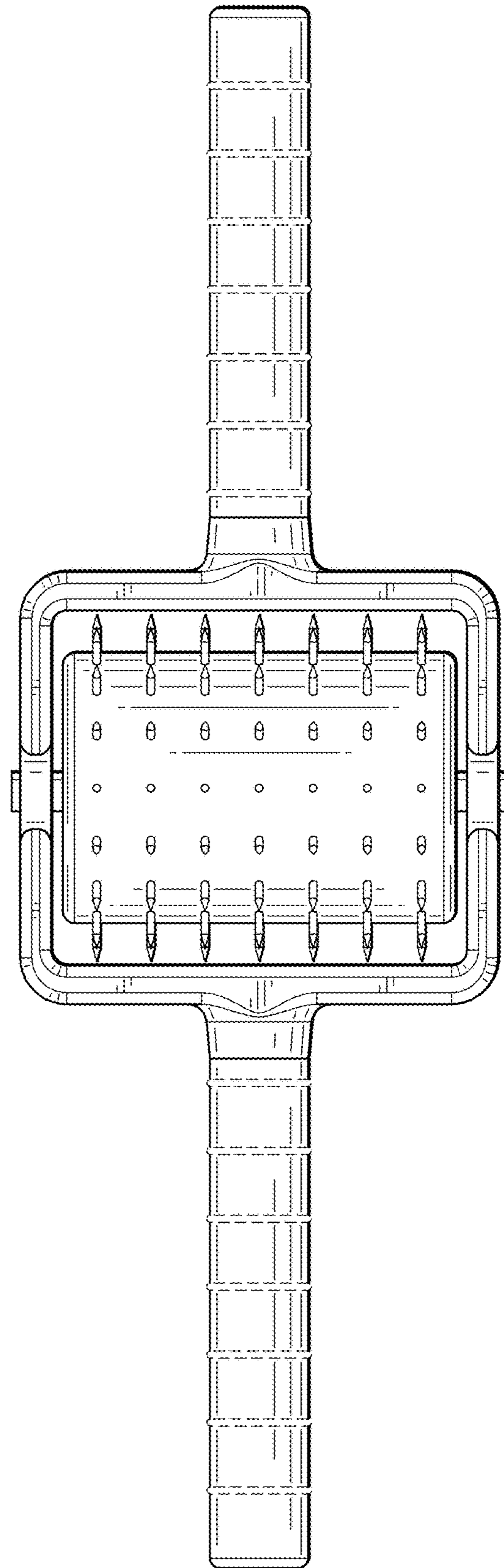


FIG. 7