



US00D818586S

(12) **United States Design Patent** (10) **Patent No.:** **US D818,586 S**
Hamel et al. (45) **Date of Patent:** **** May 22, 2018**

(54) **TOOL HANDLE**
(71) Applicant: **DePuy Synthes Products, Inc.**,
Raynham, MA (US)
(72) Inventors: **Ross Hamel**, West Chester, PA (US);
Dominic D’Andrea, Wallingford, PA
(US)
(73) Assignee: **DePuy Synthes Products, Inc.**,
Raynham, MA (US)
(**) Term: **15 Years**
(21) Appl. No.: **29/542,143**
(22) Filed: **Oct. 12, 2015**
(51) **LOC (11) Cl.** **24-02**
(52) **U.S. Cl.**
USPC **D24/146**
(58) **Field of Classification Search**
USPC D8/14, 82–85, 87, 107, 303, 307;
D24/133, 143, 145–147, 171; 81/487,
81/489, 491; 606/79–80, 84
CPC ... A61B 17/025; A61B 17/16; A61B 17/1615;
A61B 17/1617; A61B 17/164; A61B
17/1666; A61B 17/1875; A61B
2017/0023; A61B 2017/0256; A61B
2017/320084
See application file for complete search history.

(56) **References Cited**
U.S. PATENT DOCUMENTS
D146,082 S * 12/1946 Hunau 433/114
D318,118 S * 7/1991 Michelson D24/147
D352,442 S * 11/1994 Lee-Chang D8/303
D379,750 S * 6/1997 Thompson D8/83
D417,602 S * 12/1999 Morrison D8/107
D423,790 S * 5/2000 Solberg D4/122
6,168,599 B1 * 1/2001 Frieze A61B 17/16
408/227

6,332,886 B1 * 12/2001 Green A61B 17/1617
606/79
D454,047 S * 3/2002 Hung D8/107
D457,955 S * 5/2002 Bilitz D24/133
D462,003 S * 8/2002 Juhlin D8/107
D465,716 S * 11/2002 Hsieh D8/107
D474,097 S * 5/2003 Hsiao D8/107
D547,864 S * 7/2007 Rau 600/131
D551,052 S * 9/2007 Lin D8/107
D573,867 S * 7/2008 Laurino D8/107
D612,044 S * 3/2010 Scheibe D24/130
D682,067 S * 5/2013 Tillet D8/107
2003/0097133 A1 * 5/2003 Green A61B 17/1617
606/80
2004/0267267 A1 * 12/2004 Daniels A61B 17/1617
606/80
2006/0004371 A1 * 1/2006 Williams, III A61B 17/1615
606/80
2010/0268236 A1 * 10/2010 Moutafis A61B 17/1617
606/84

(Continued)

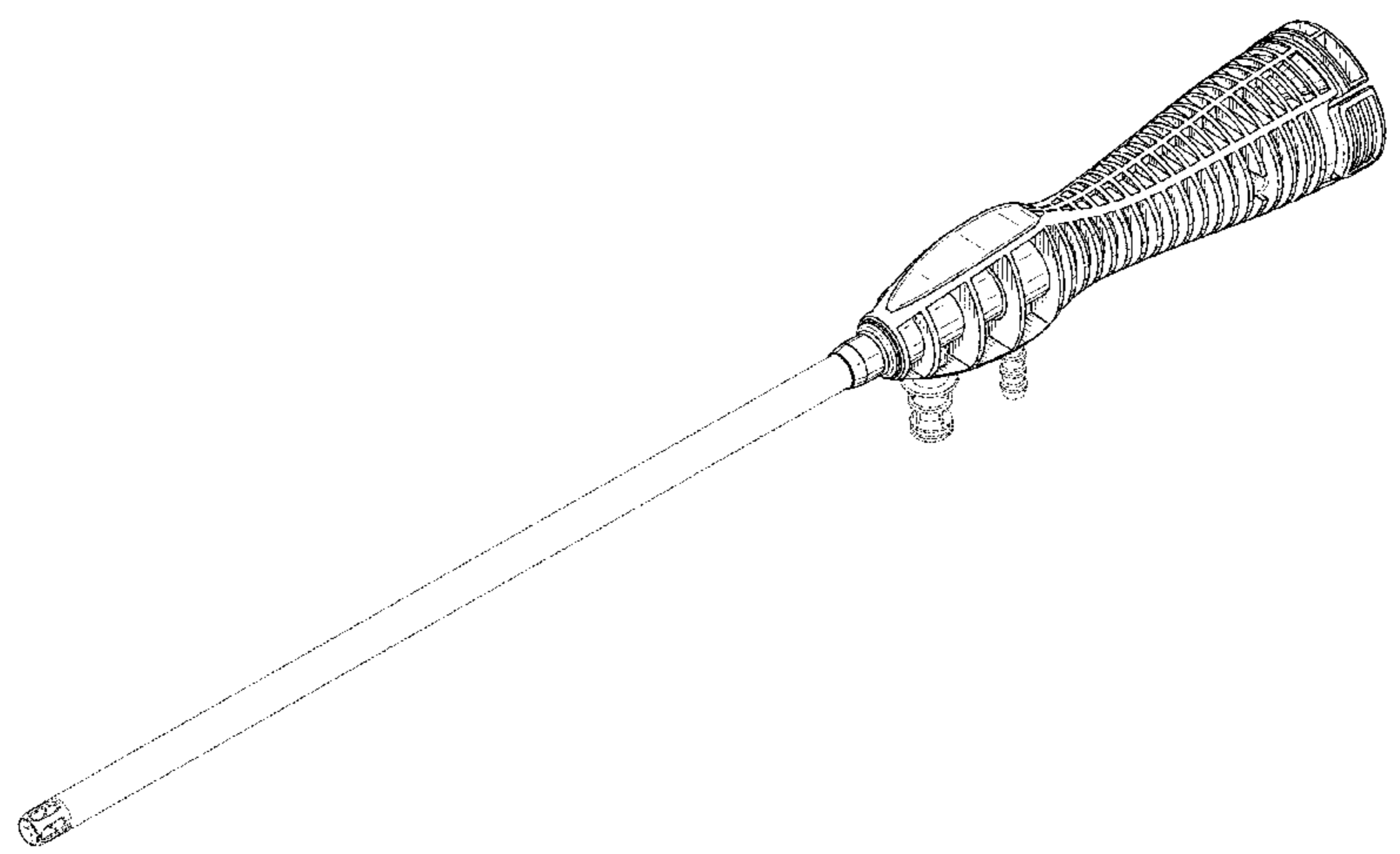
Primary Examiner — Phillip S Hyder
(74) *Attorney, Agent, or Firm* — Wayne C. Jaeschke, Jr.

(57) **CLAIM**
The ornamental design for a tool handle, as shown and described.

DESCRIPTION

FIG. 1 is a perspective view of from the front end showing the left side and top of the tool handle, embodying our new design;
FIG. 2 is a top plan view thereof;
FIG. 3 is a right side elevation view thereof;
FIG. 4 is a bottom plan view thereof;
FIG. 5 is an enlarged elevation view of the front end; and,
FIG. 6 is an enlarged elevation view of the back end.
The broken line features jutting outward from the handle form no part of the claim. The broken line shaft and tool end illustrate environment and form no part of the claim.

1 Claim, 3 Drawing Sheets



(56)

References Cited

U.S. PATENT DOCUMENTS

2013/0261632 A1* 10/2013 Livorsi A61F 2/4609
606/91
2016/0008523 A1* 1/2016 Nino A61B 17/16
604/319
2016/0199070 A1* 7/2016 MacLeod A61B 17/1633
606/84
2016/0199073 A1* 7/2016 Nino A61B 17/1604
606/79
2016/0324562 A1* 11/2016 Baker A61B 17/8875

* cited by examiner

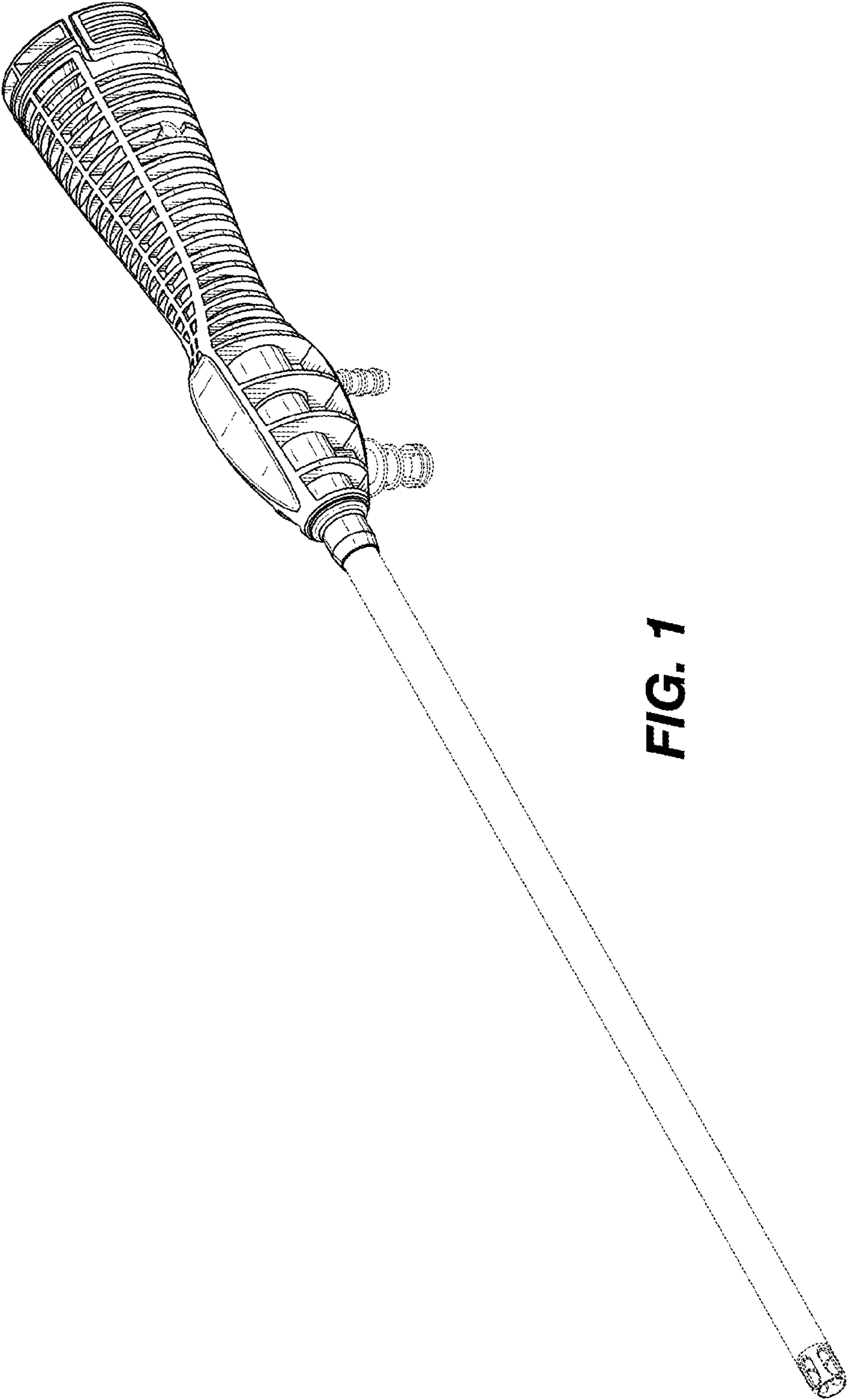
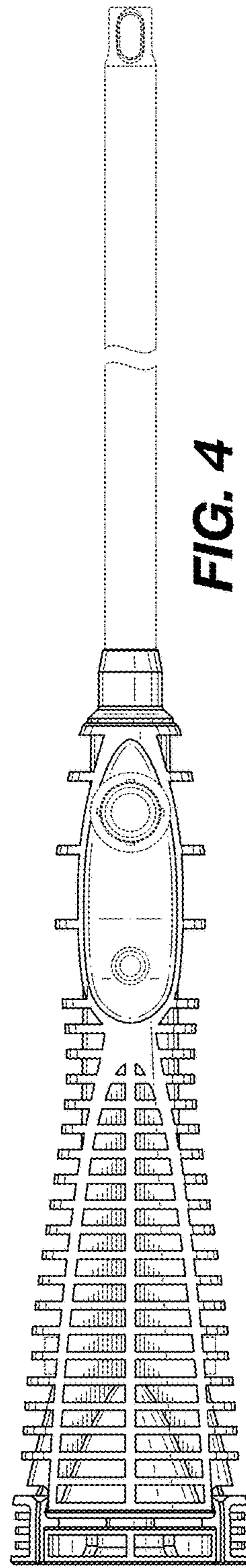
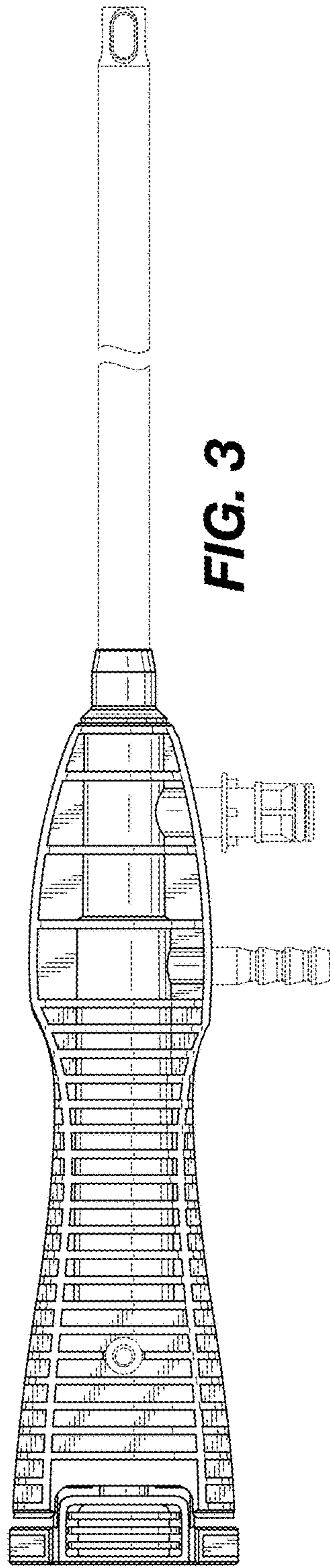
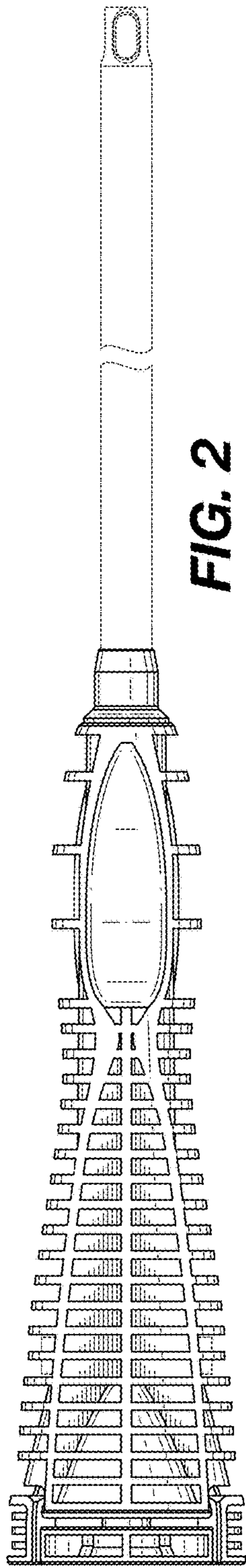


FIG. 1



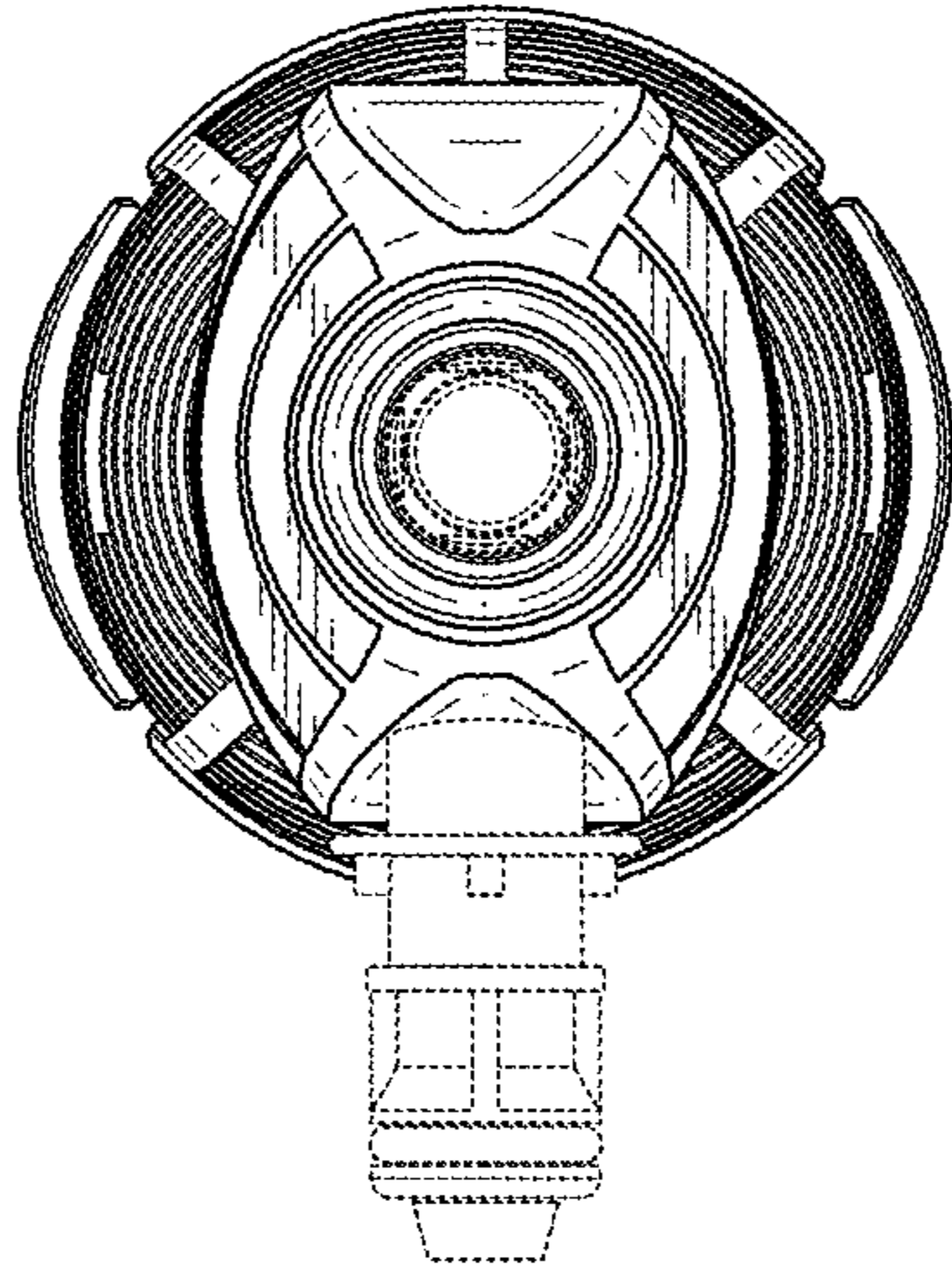


FIG. 5

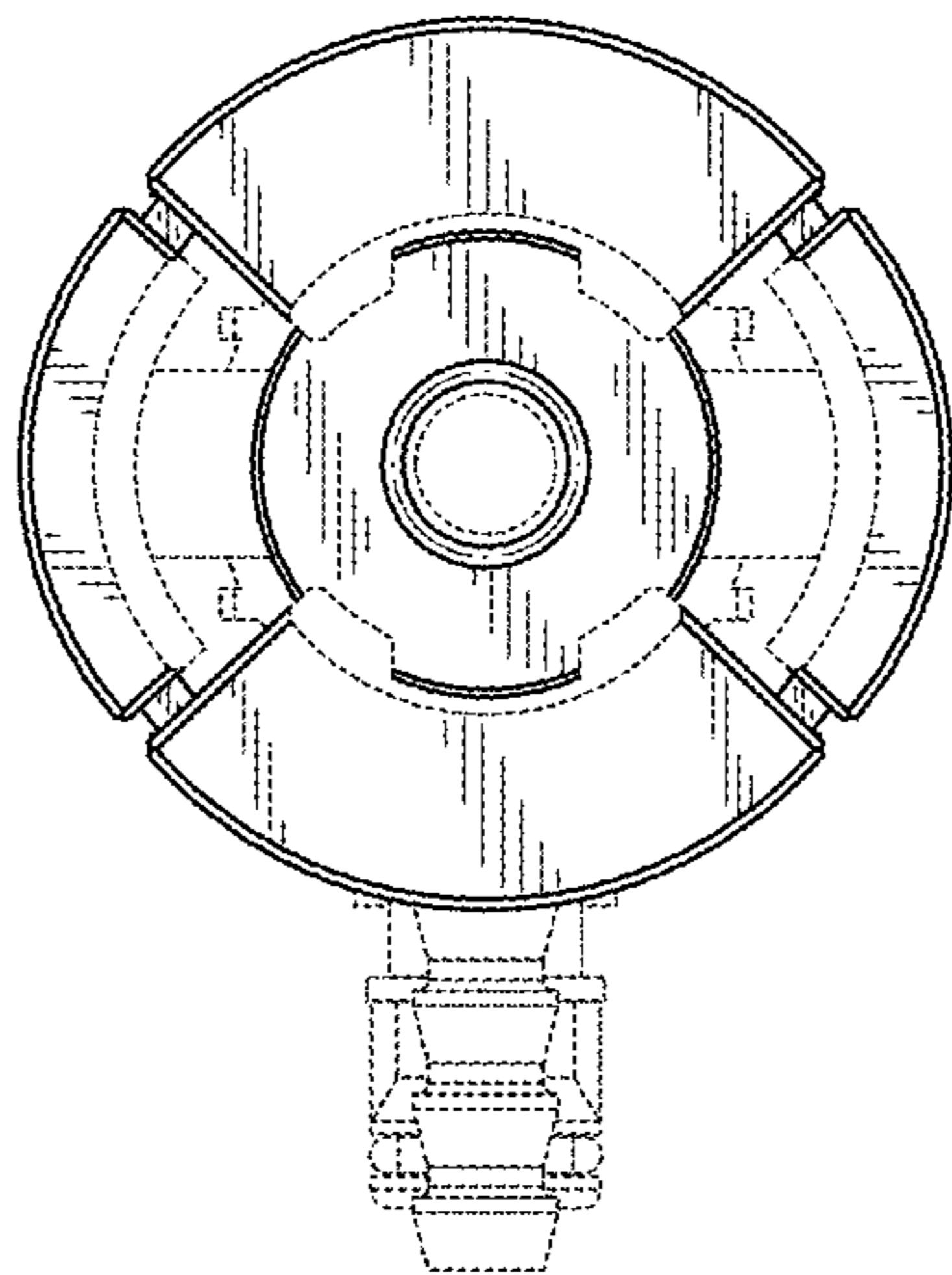


FIG. 6