



US00D818583S

(12) **United States Design Patent**
Harlev et al.

(10) **Patent No.:** **US D818,583 S**
(45) **Date of Patent:** **** May 22, 2018**

(54) **CATHETER HANDLE WITH INPUT SECTION**

D725,261 S *	3/2015	Barrett	D24/129
D726,908 S *	4/2015	Yu	D24/130
9,011,382 B2 *	4/2015	Nilsson	A61M 25/0606 604/164.02
D733,874 S *	7/2015	Yu	D24/130
D734,457 S *	7/2015	Yu	D24/130
D751,194 S *	3/2016	Yu	D24/130
D757,934 S *	5/2016	Barrett	D24/129
D799,031 S *	10/2017	Barrett	D24/129
D799,032 S *	10/2017	Becker	D24/129

(71) Applicant: **Affera, Inc.**, Watertown, MA (US)

(72) Inventors: **Doron Harlev**, Brookline, MA (US);
Jonathan Matthew Bond, Melrose, MA (US)

(73) Assignee: **Affera, Inc.**, Watertown, MA (US)

(**) Term: **15 Years**

(21) Appl. No.: **29/603,848**

(22) Filed: **May 12, 2017**

(51) **LOC (11) Cl.** **24-02**

(52) **U.S. Cl.**
USPC **D24/130**

(58) **Field of Classification Search**
USPC D24/127-131, 112-114, 133, 186;
606/181, 185; 604/264, 523-528, 272,
604/187, 158, 164.01-164.11, 181, 184,
604/227; 600/101, 139, 143;
128/200.24, 207.14, 207.15
CPC A61M 25/00; A61M 39/00; A61M 27/00;
A61M 25/0043; A61M 25/0067; A61M
25/0097; A61F 2/958
See application file for complete search history.

(56) **References Cited**

U.S. PATENT DOCUMENTS

D616,092 S *	5/2010	Domkowski	D24/129
D623,740 S *	9/2010	Harris	D24/133
D654,999 S *	2/2012	Barrett	D24/129
D718,437 S *	11/2014	Osypka	D24/127

* cited by examiner

Primary Examiner — David G Muller
(74) *Attorney, Agent, or Firm* — Perkins Coie LLP

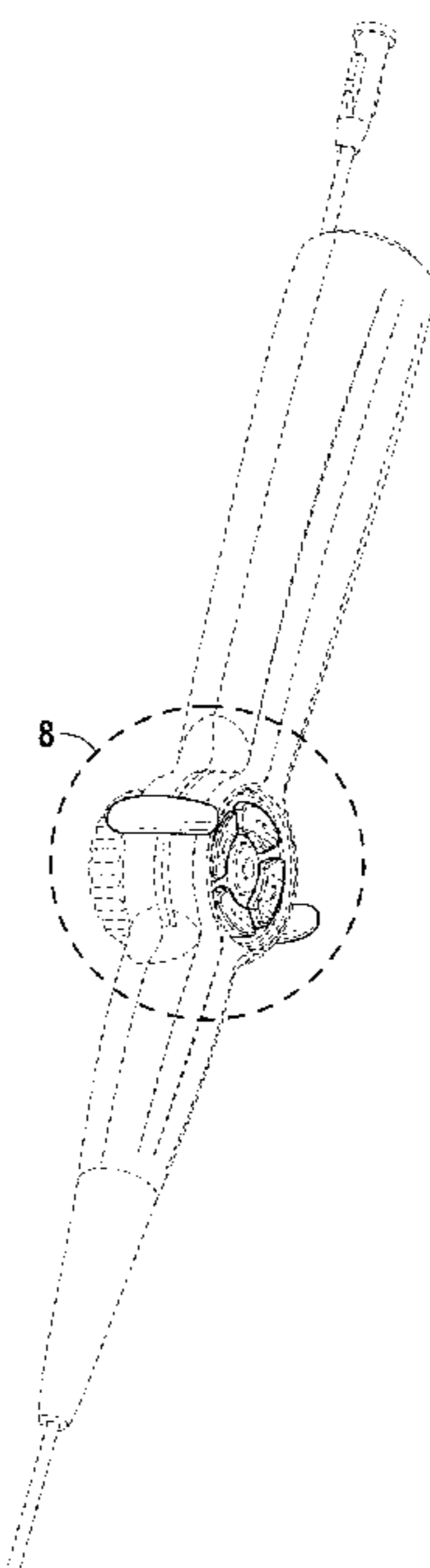
(57) **CLAIM**

The ornamental design for a catheter handle with an input section, as shown and described.

DESCRIPTION

FIG. 1 is a bottom perspective view of a catheter handle with an input section.
FIG. 2 is a top perspective view of the catheter handle of FIG. 1.
FIG. 3 is a top view of the catheter handle of FIG. 1.
FIG. 4 is a bottom view of the catheter handle of FIG. 1.
FIG. 5 is a side view of the catheter handle of FIG. 1.
FIG. 6 is a rear view of the catheter handle of FIG. 1.
FIG. 7 is a front view of the catheter handle of FIG. 1; and, FIG. 8 is an enlarged, fragmentary perspective view of the catheter handle showing the input section, along the area of detail in FIG. 2.
The broken lines showing portions of the catheter handle are for illustrative purposes only and form no part of the claimed design.

1 Claim, 4 Drawing Sheets



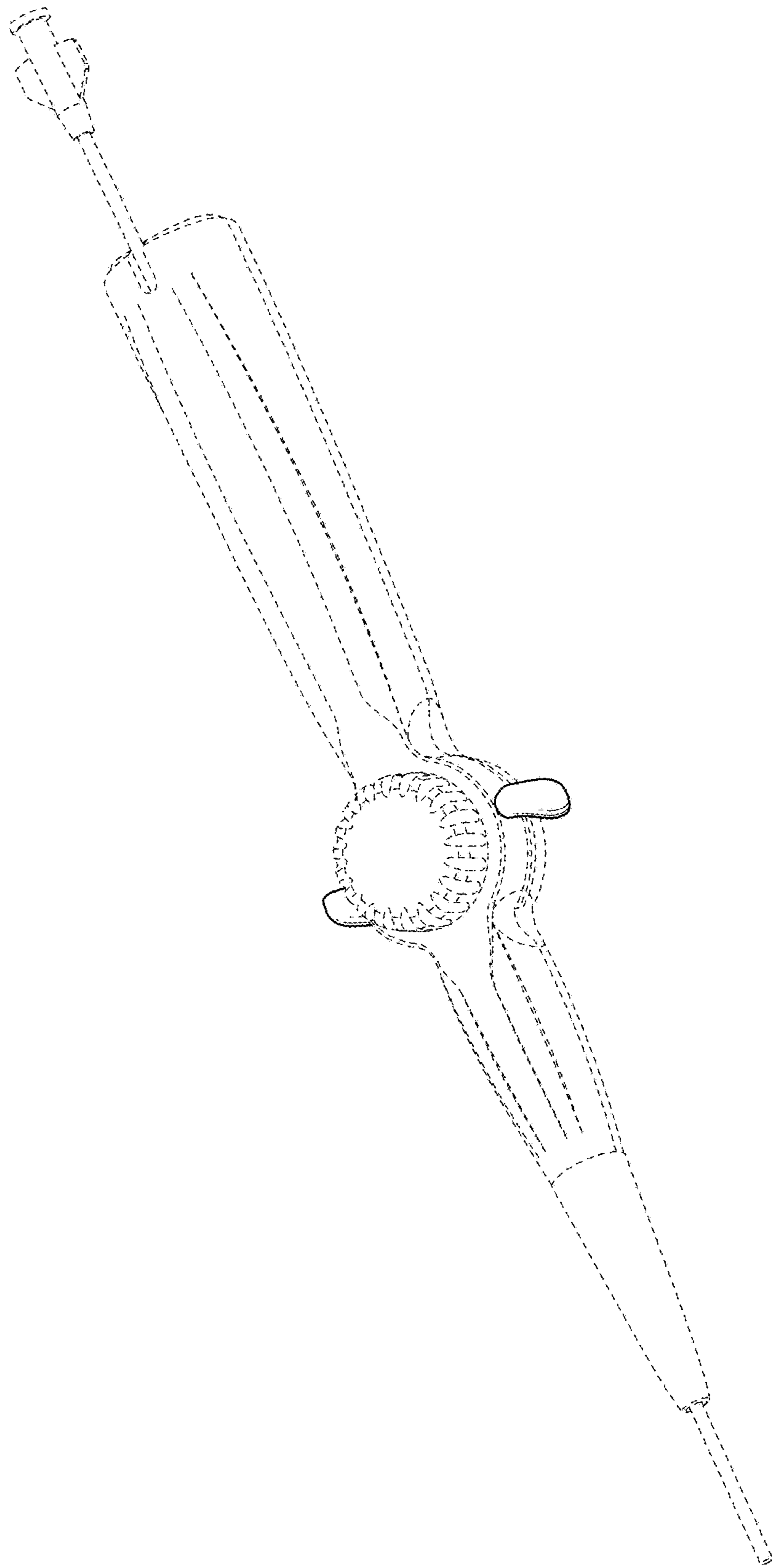


FIG. 1

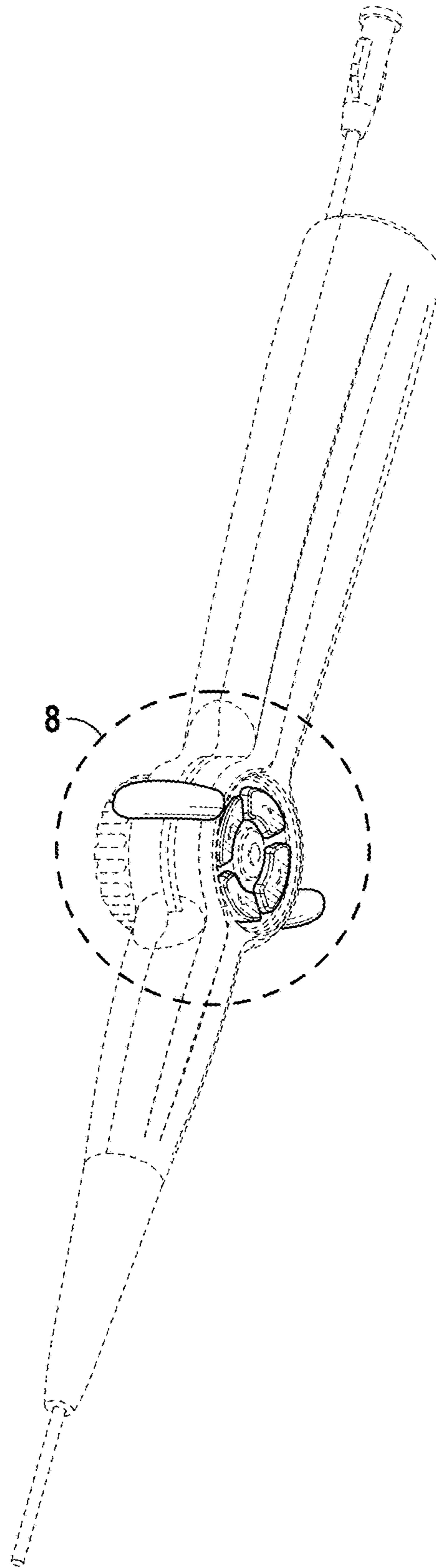


FIG. 2

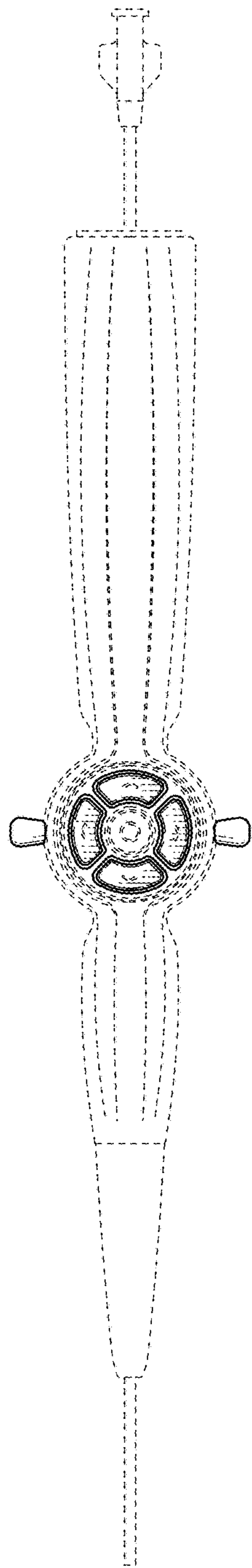


FIG. 3

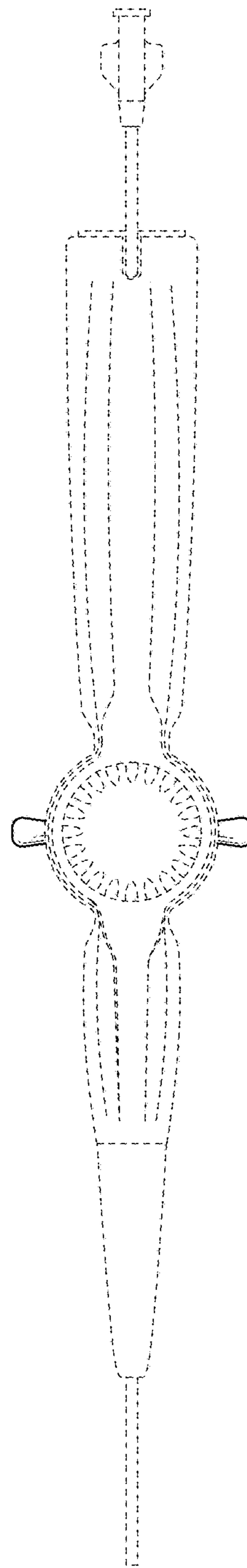


FIG. 4

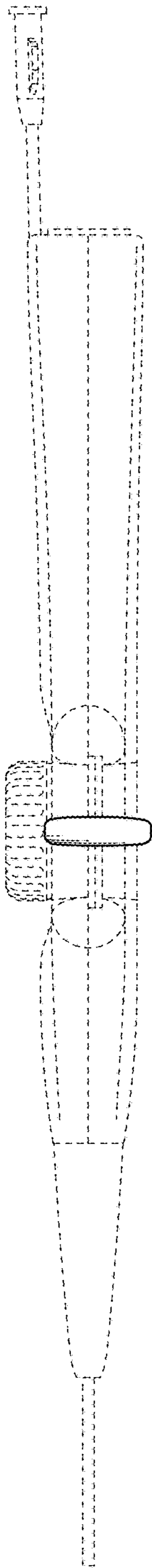


FIG. 5

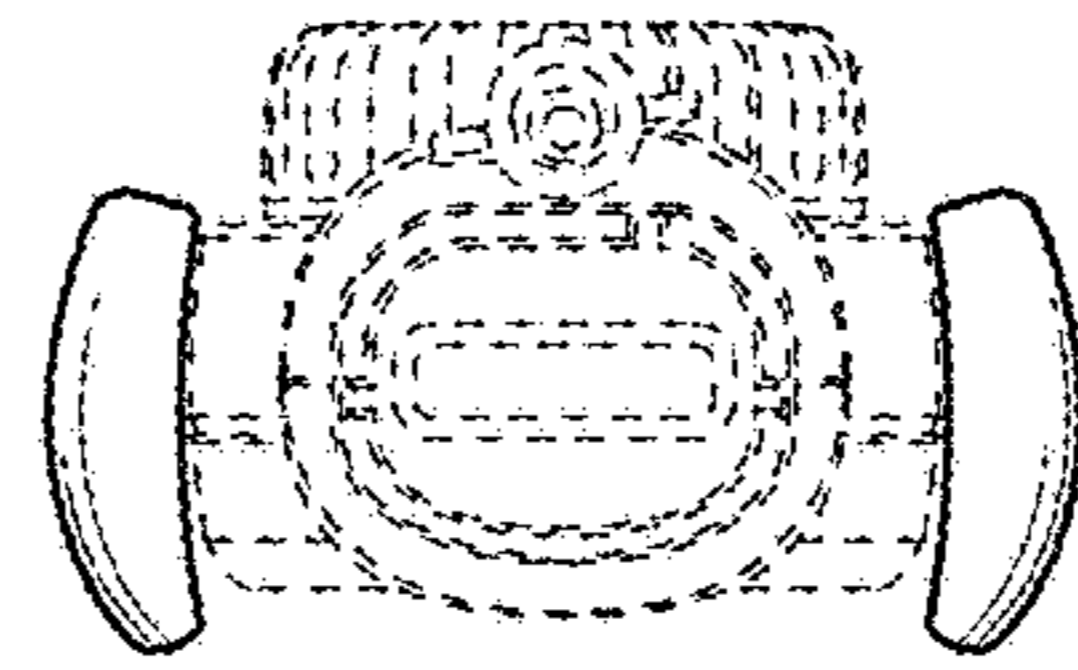


FIG. 6

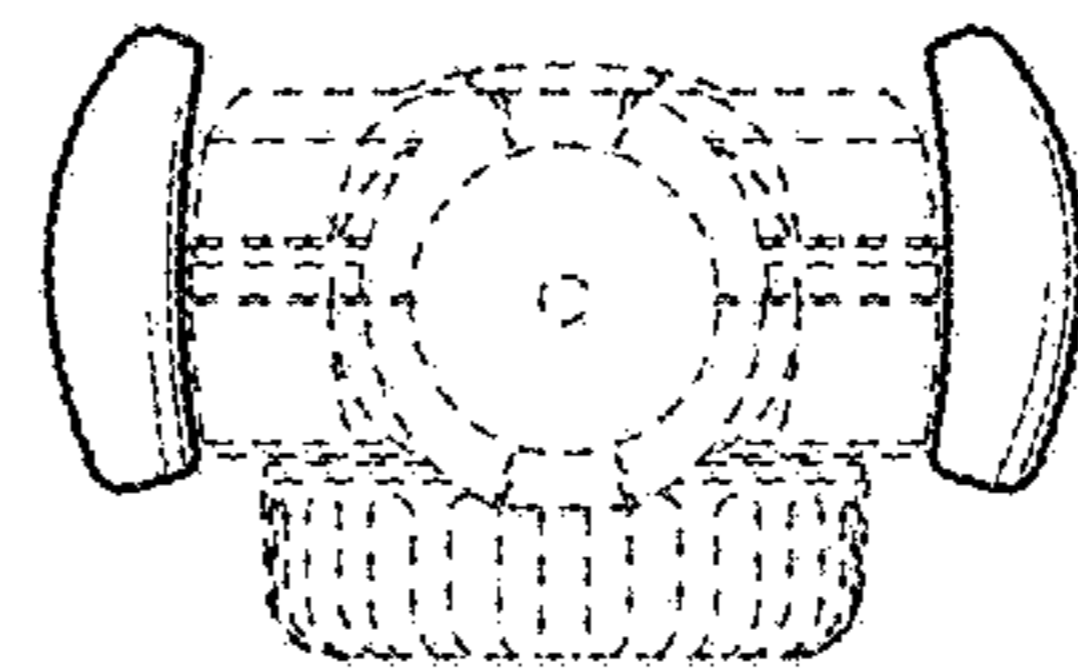


FIG. 7

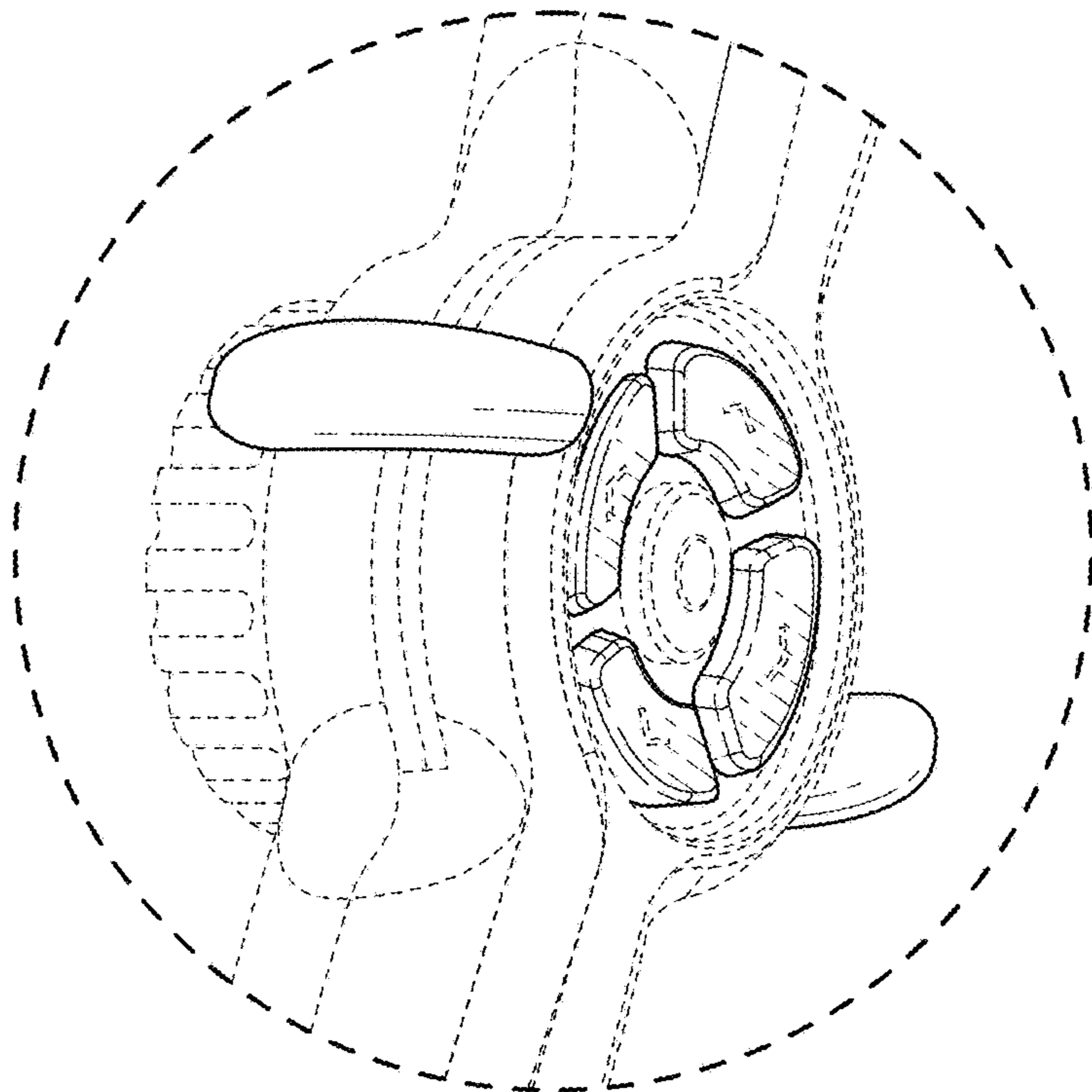


FIG. 8