



US00D818580S

(12) **United States Design Patent**
Khabiri et al.

(10) **Patent No.:** **US D818,580 S**

(45) **Date of Patent:** **** May 22, 2018**

(54) **NASAL CANNULA HOLDER**

(71) Applicants: **Babak Khabiri**, Columbus, OH (US);
Nestor Millan Narcelles, Columbus,
OH (US); **Scott Meyers Cooper**, Utica,
OH (US)

(72) Inventors: **Babak Khabiri**, Columbus, OH (US);
Nestor Millan Narcelles, Columbus,
OH (US); **Scott Meyers Cooper**, Utica,
OH (US)

(**) Term: **15 Years**

(21) Appl. No.: **29/554,799**

(22) Filed: **Feb. 16, 2016**

(51) **LOC (11) Cl.** **24-02**

(52) **U.S. Cl.**
USPC **D24/128; D24/110.5**

(58) **Field of Classification Search**
USPC D24/110, 110.1, 110.4, 110.5, 112,
D24/127-129, 164; D23/262; D8/354,
D8/356
CPC A61M 2202/0275; A61M 16/16; A61M
2202/0208; A61M 16/0666; A61M
16/0875; A61M 16/0051; A61M 16/085;
A61M 16/0003; A61M 16/06; A61M
16/04; A61M 16/0497

See application file for complete search history.

(56) **References Cited**

U.S. PATENT DOCUMENTS

3,972,321 A * 8/1976 Proctor A61M 25/02
128/207.18
D258,526 S * 3/1981 Nederman 285/148.19

D339,417 S * 9/1993 Sampson D24/129
D375,160 S * 10/1996 Sampson D23/262
D573,255 S * 7/2008 Stephens D24/128
D655,411 S * 3/2012 Schroeder D24/129
D692,293 S * 10/2013 Toscani D8/356
D717,157 S * 11/2014 Widdows D8/356
D786,048 S * 5/2017 Grewal H04R 1/1033
D8/356
D796,667 S * 9/2017 Manandhar D24/128
2012/0055482 A1 3/2012 Wilkinson
2012/0125338 A1 5/2012 Yarahmadi
2013/0060157 A1 3/2013 Beard
2016/0058965 A1* 3/2016 Matsubara A61M 16/0666
128/205.25
2016/0235938 A1* 8/2016 Khabiri A61M 16/085

* cited by examiner

Primary Examiner — Barbara Fox

Assistant Examiner — Lilyana Bekic

(74) *Attorney, Agent, or Firm* — Vorys, Sater, Seymour
and Pease LLP; Rex W. Miller, II

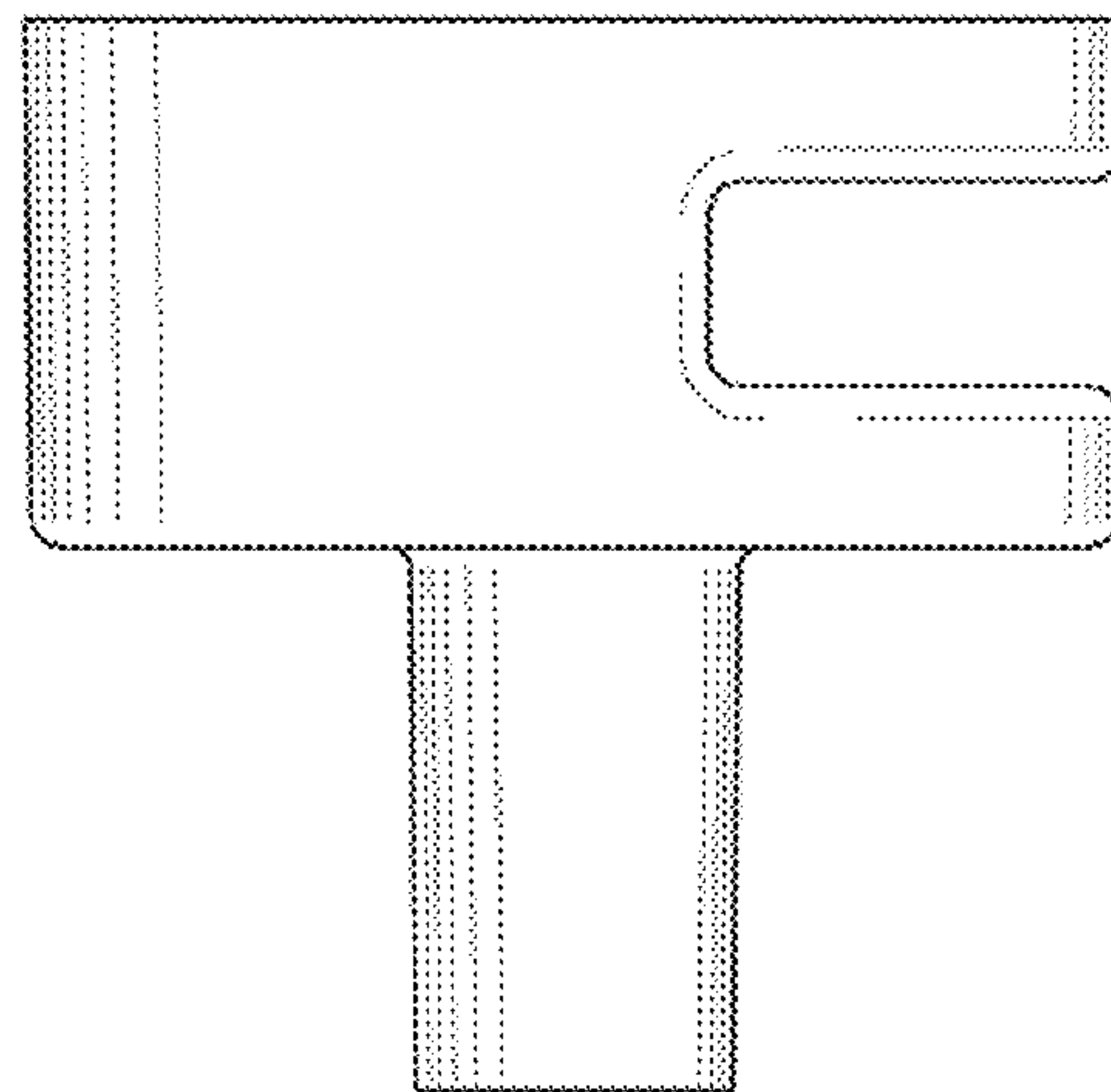
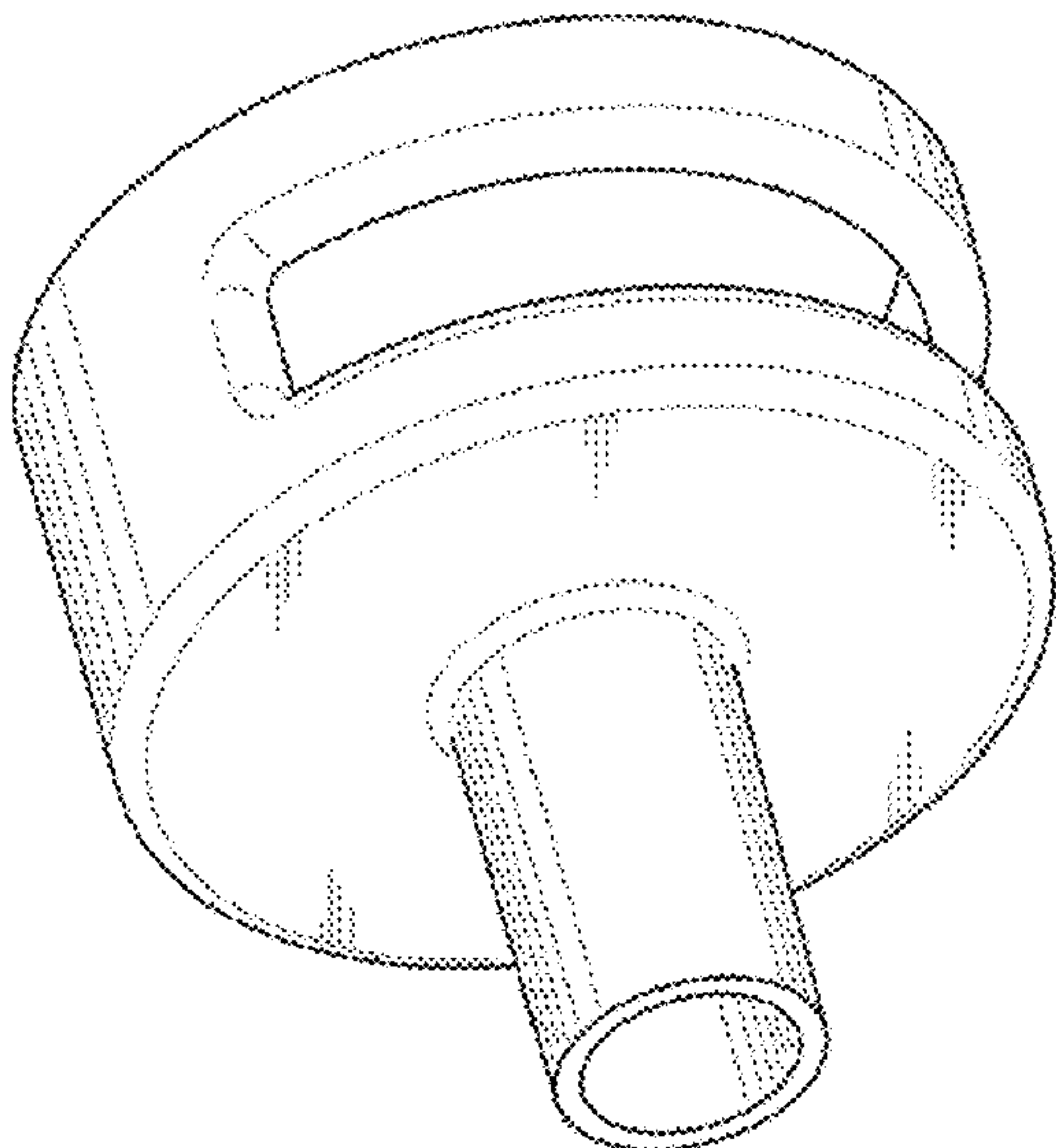
(57) **CLAIM**

The ornamental design for a nasal cannula holder, as shown
and described.

DESCRIPTION

FIG. 1 is a perspective view of a nasal cannula holder
showing our new design;
FIG. 2 is a left side view thereof, the right side being a mirror
image thereof;
FIG. 3 is a front view thereof;
FIG. 4 is a back view thereof;
FIG. 5 is a top view thereof; and,
FIG. 6 is a bottom side view thereof.

1 Claim, 3 Drawing Sheets



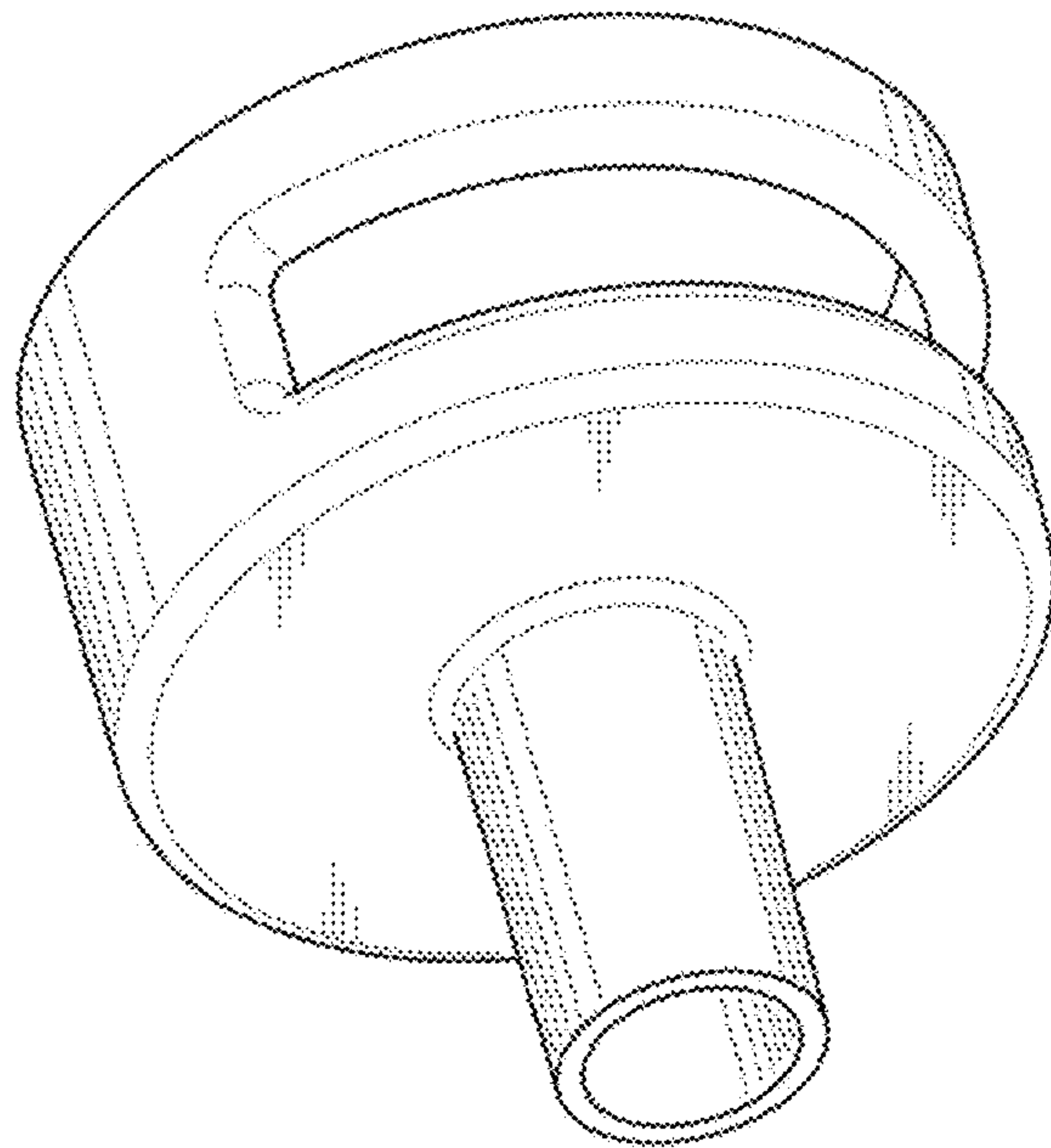


FIG. 1

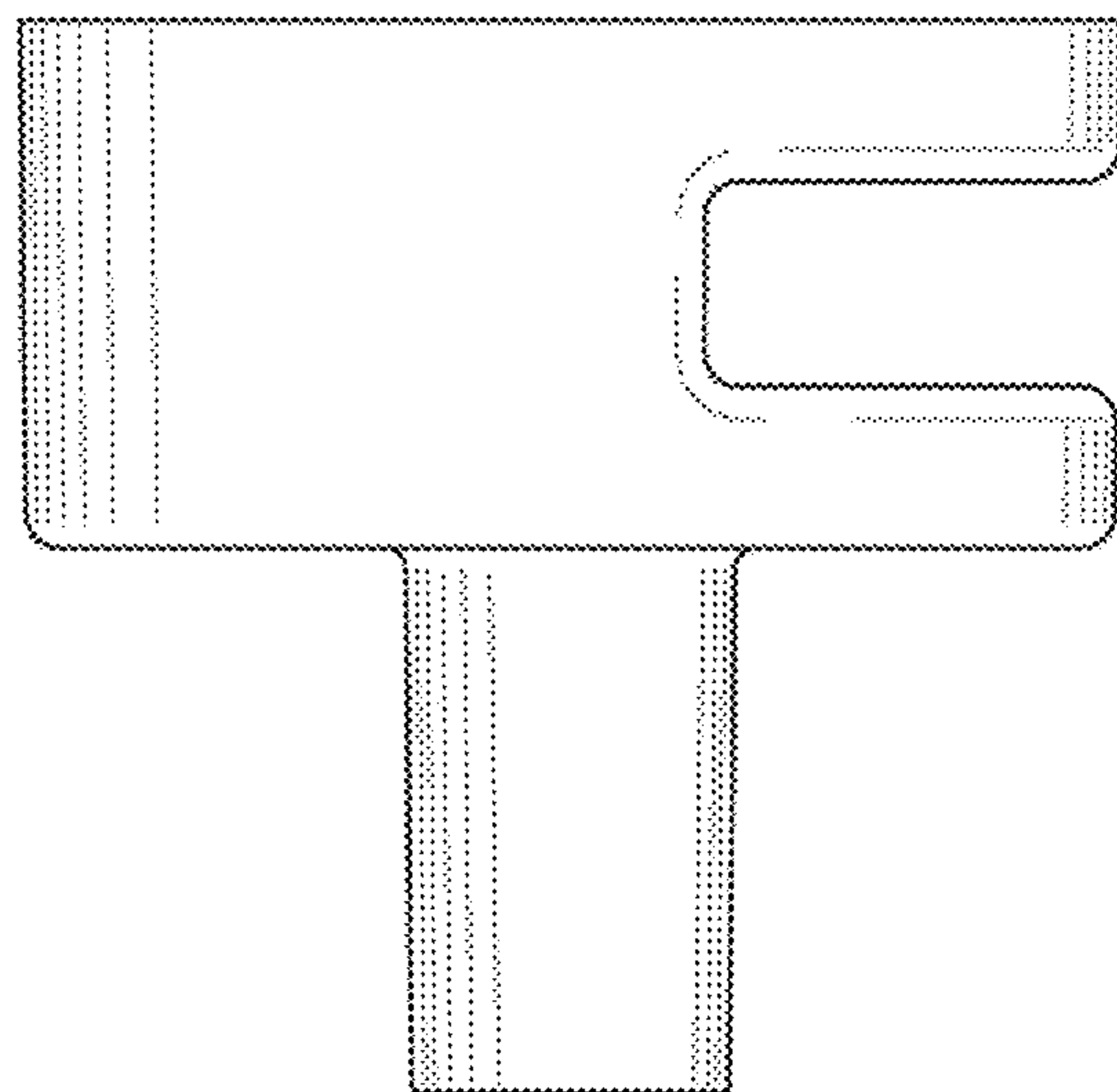


FIG. 2

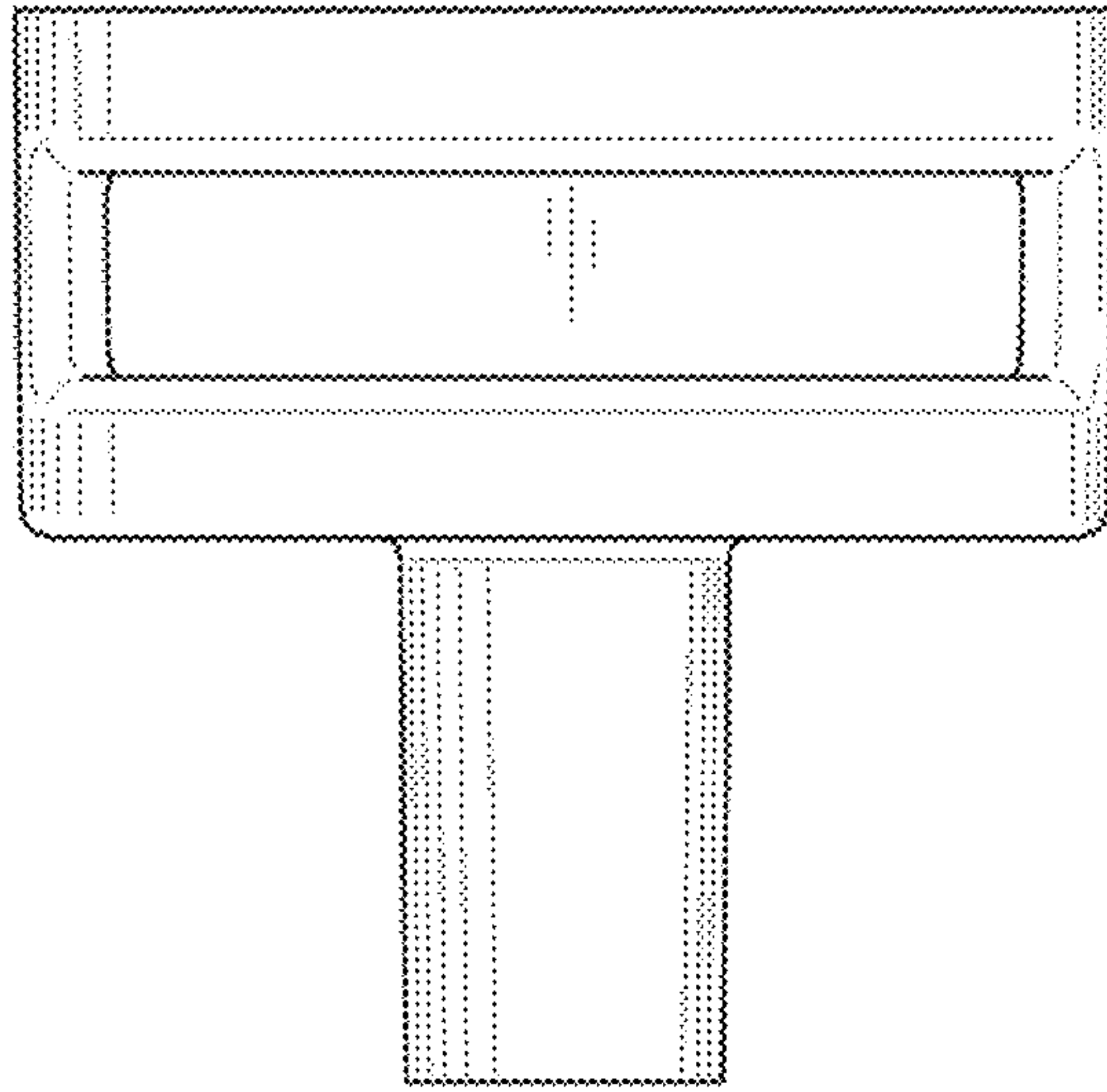


FIG. 3

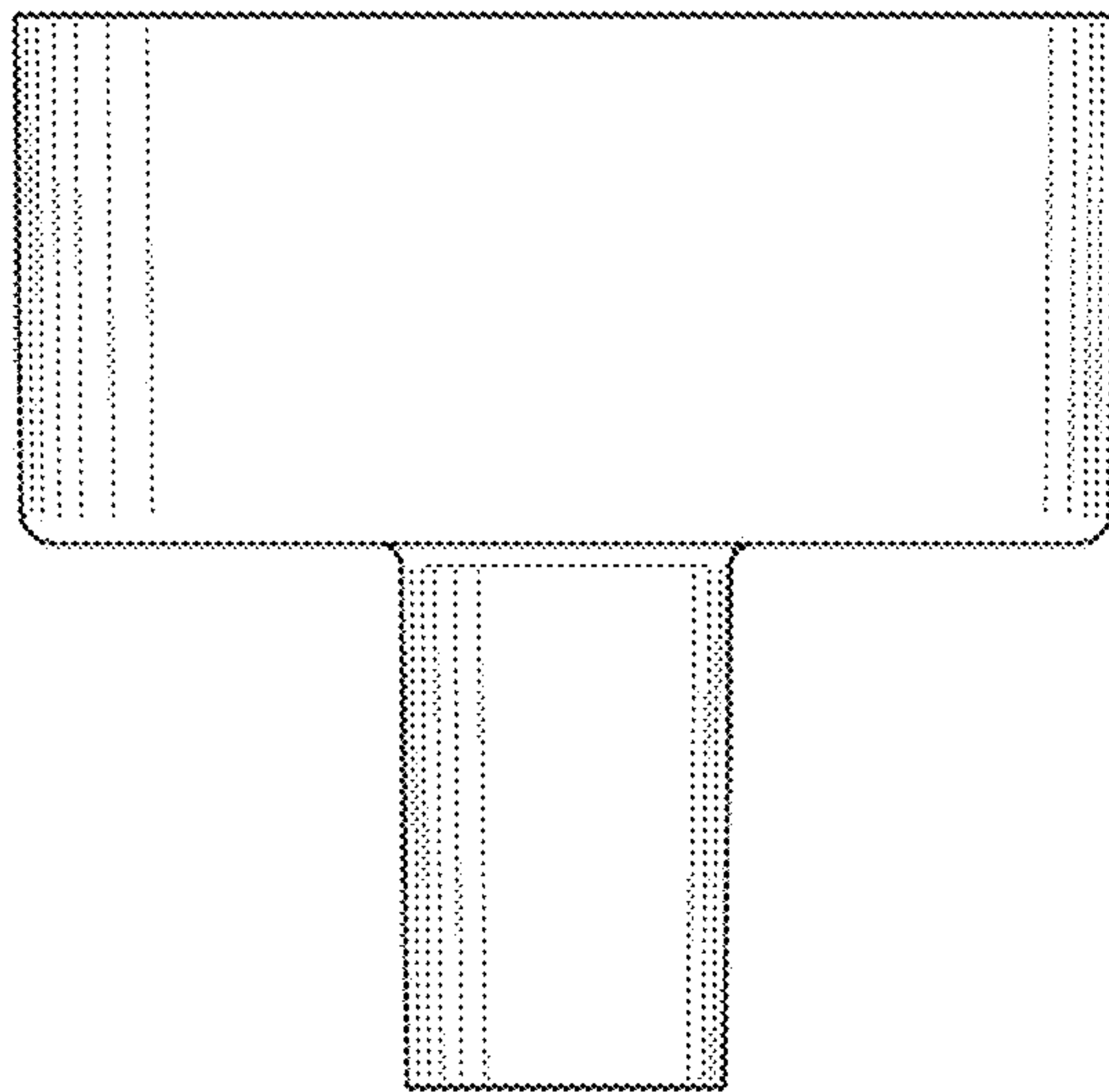


FIG. 4

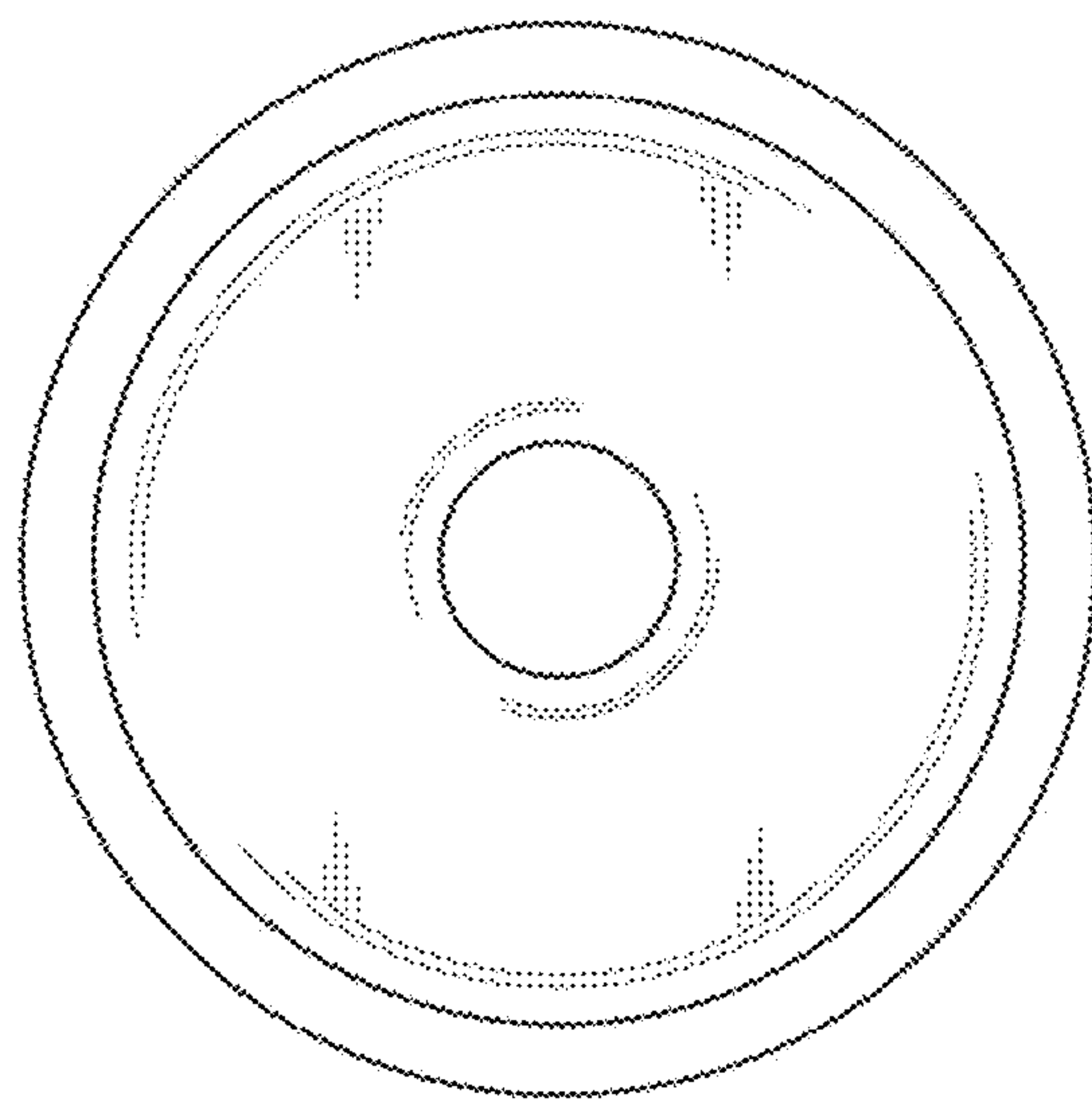


FIG. 5

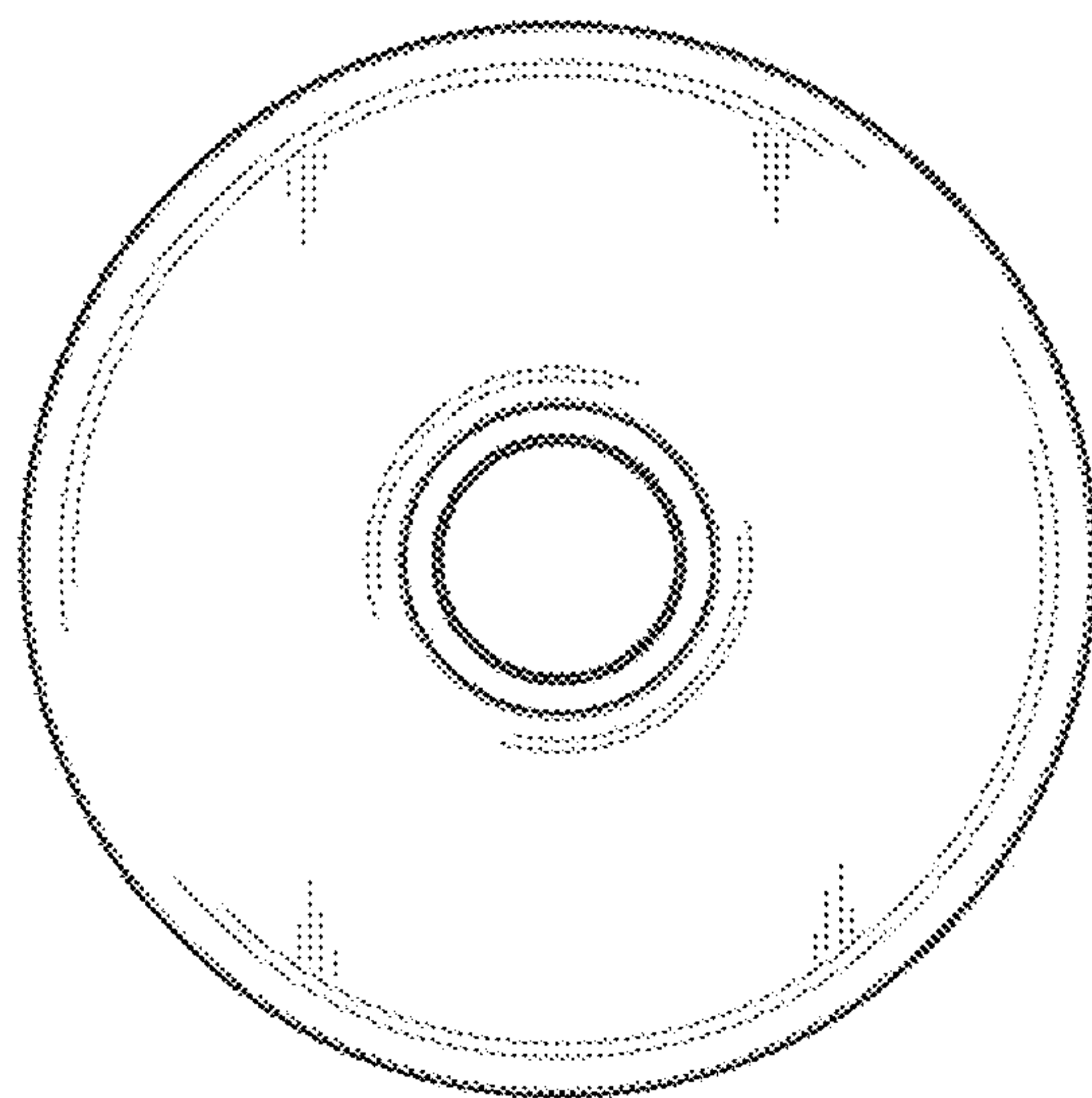


FIG. 6