



US00D818579S

(12) **United States Design Patent**
Yao

(10) **Patent No.:** **US D818,579 S**
(45) **Date of Patent:** **** May 22, 2018**

- (54) **PROTECTIVE COVER**
- (71) Applicant: **DENSMART DENTAL CO., LTD.,**
Taoyuan (TW)
- (72) Inventor: **Yin Chao Yao,** Taoyuan (TW)
- (73) Assignee: **DENSMART DENTAL CO., LTD.,**
Taoyuan (TW)
- (**) Term: **15 Years**
- (21) Appl. No.: **29/557,065**
- (22) Filed: **Mar. 4, 2016**
- (51) **LOC (11) Cl.** **24-02**
- (52) **U.S. Cl.**
USPC **D24/127**
- (58) **Field of Classification Search**
USPC D24/127–131, 158, 112–114, 133, 186;
606/181, 185; 604/264, 523–528, 272,
604/187, 158, 164.01–164.11, 181, 184,
604/227; 600/101, 139, 143;
128/200.24, 207.14, 207.15
CPC ... H04N 5/367; G03B 42/04; A61N 2005/051
See application file for complete search history.

(56) **References Cited**

U.S. PATENT DOCUMENTS

- D369,607 S * 5/1996 MacGilvary D14/250
- 5,795,632 A * 8/1998 Buchalter A61B 8/12
206/305
- D423,596 S * 4/2000 Morrison D21/754
- 6,527,442 B2 * 3/2003 Carroll A61B 6/14
348/E3.02
- 6,814,697 B2 * 11/2004 Ouchi A61B 1/00135
600/121
- 7,160,246 B2 * 1/2007 Humble A61B 1/00142
600/121

- 7,665,893 B2 * 2/2010 Buchalter A61B 1/00142
374/158
- 7,819,579 B2 * 10/2010 Schmulenson G03B 42/04
378/170
- 7,972,059 B2 * 7/2011 Behle A61B 6/4283
378/167
- D671,210 S * 11/2012 Manta D24/134
- 8,733,366 B2 * 5/2014 Al Otaibi A61F 15/004
128/846
- D787,075 S * 5/2017 Casey D24/190
- 9,855,017 B2 * 1/2018 Wojcik A61B 6/4488

* cited by examiner

Primary Examiner — David G Muller

(74) *Attorney, Agent, or Firm* — Rabin & Berdo, P.C.

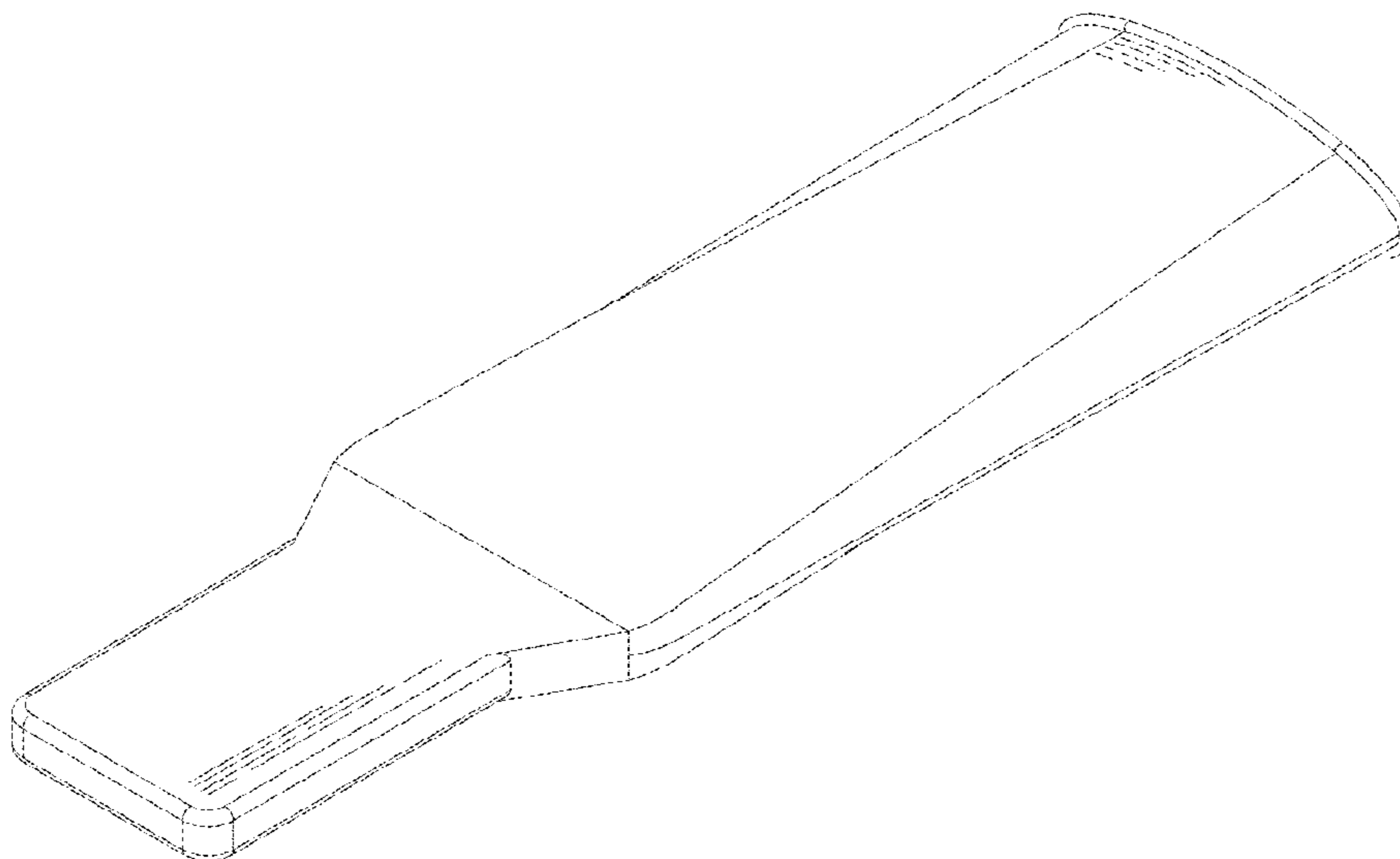
(57) **CLAIM**

The ornamental design of a protective cover, as shown and described.

DESCRIPTION

FIG. 1 is a perspective view of a protective cover showing my new design;
 FIG. 2 is a front view thereof;
 FIG. 3 is a rear view thereof;
 FIG. 4 is a left side view thereof;
 FIG. 5 is a right side view thereof;
 FIG. 6 is a top view thereof;
 FIG. 7 is a bottom view thereof; and
 FIG. 8 shows a front right perspective view of elastic deformation of a protective cover in use mode accommodating a digital X-ray sensitive device; and,
 FIG. 9 shows a cross section view of FIG. 8 with a digital information transmission cable.
 The broken line showing of parts of the drawings in cross section is included for the purpose of illustrating use and environment and forms no part of the claimed design.

1 Claim, 6 Drawing Sheets



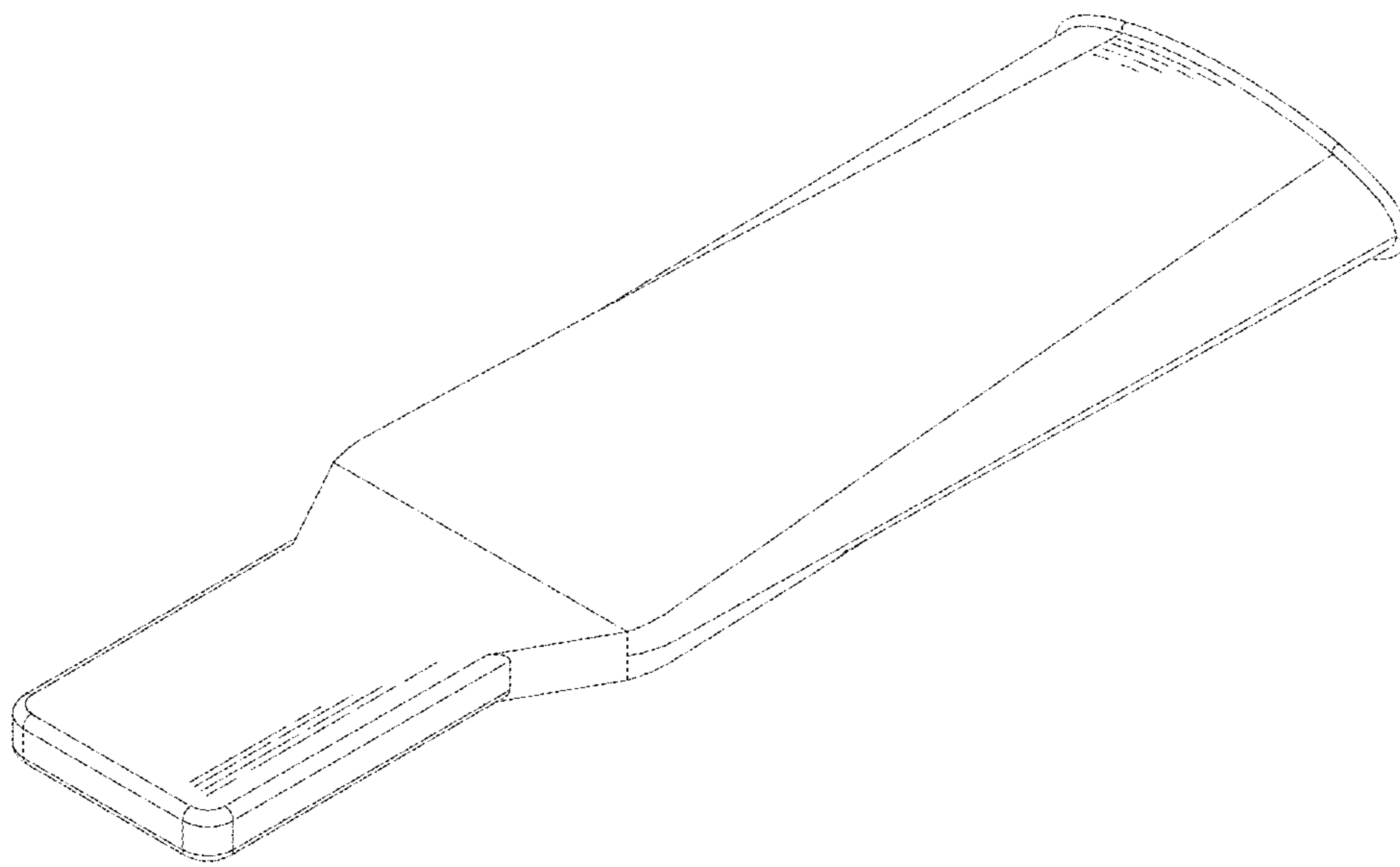


FIG. 1

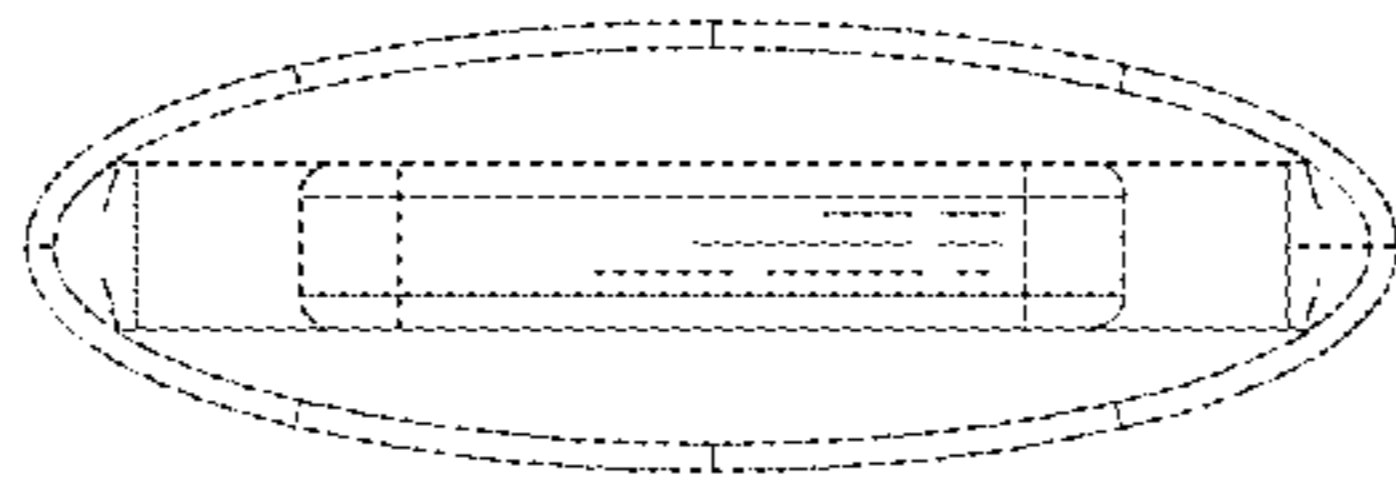


FIG. 2

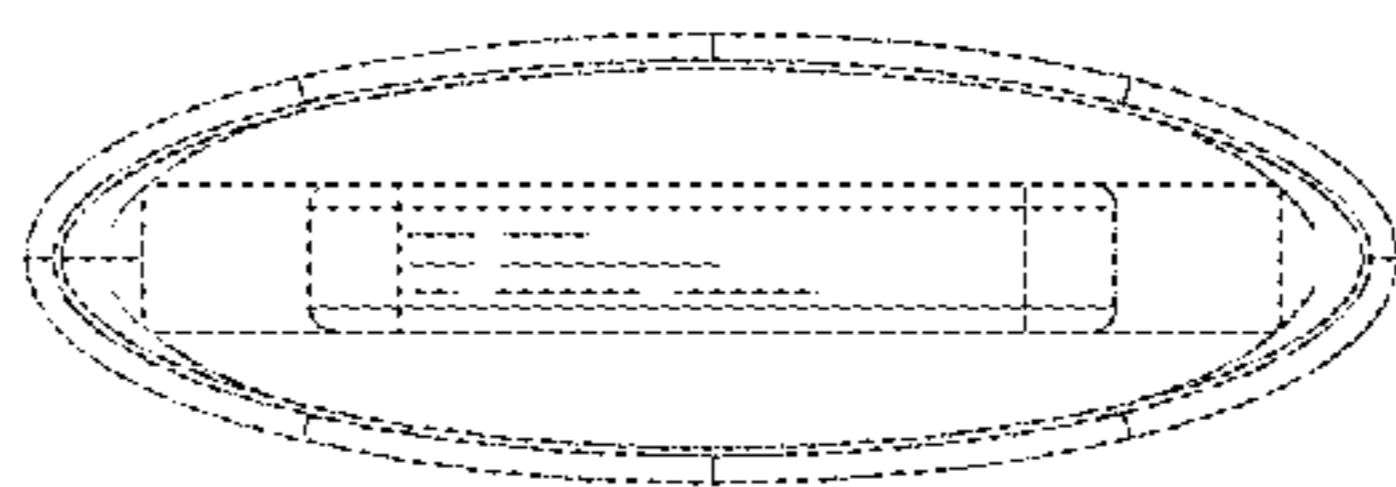


FIG. 3

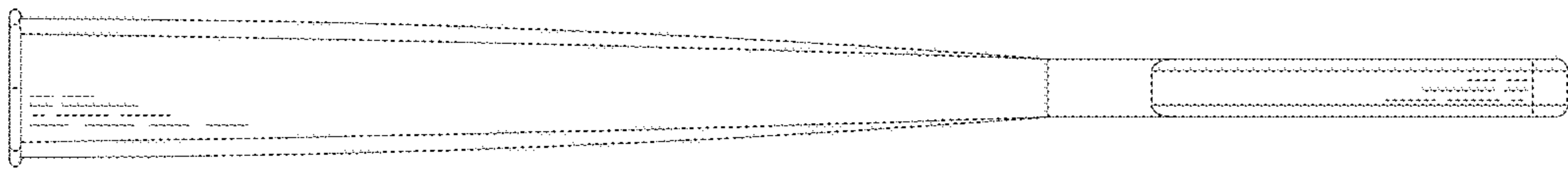


FIG. 4

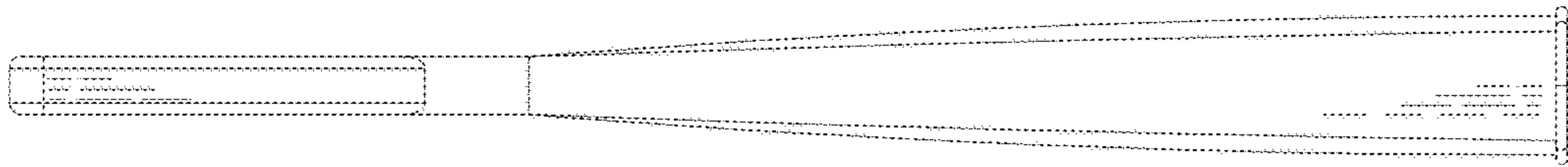


FIG. 5

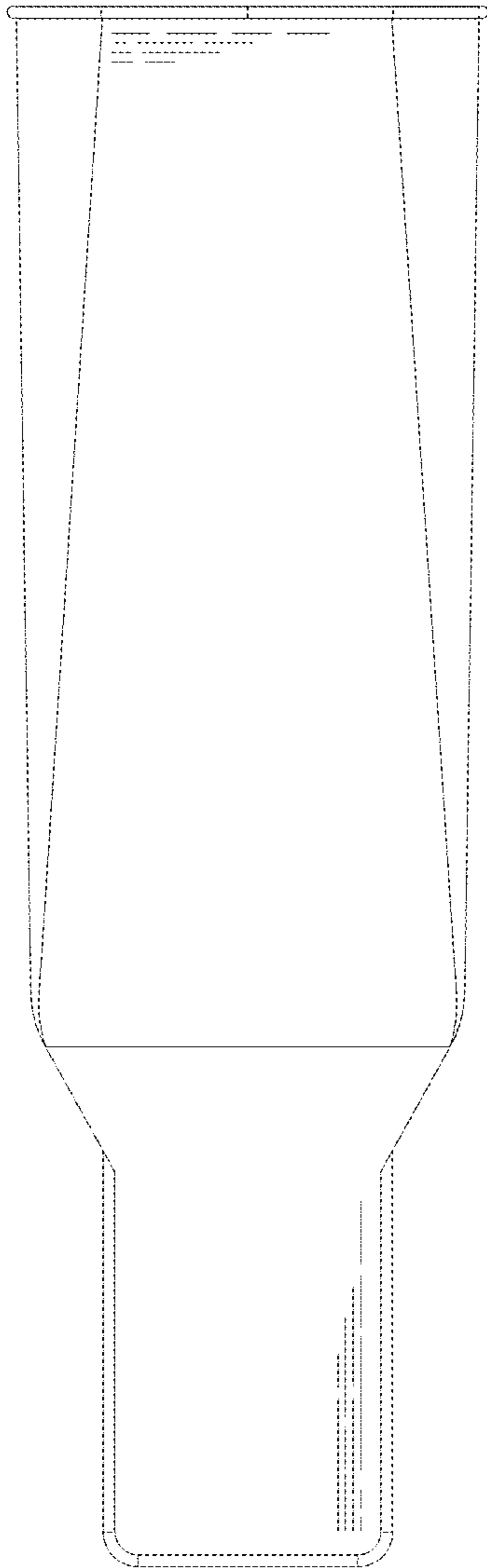


FIG. 6

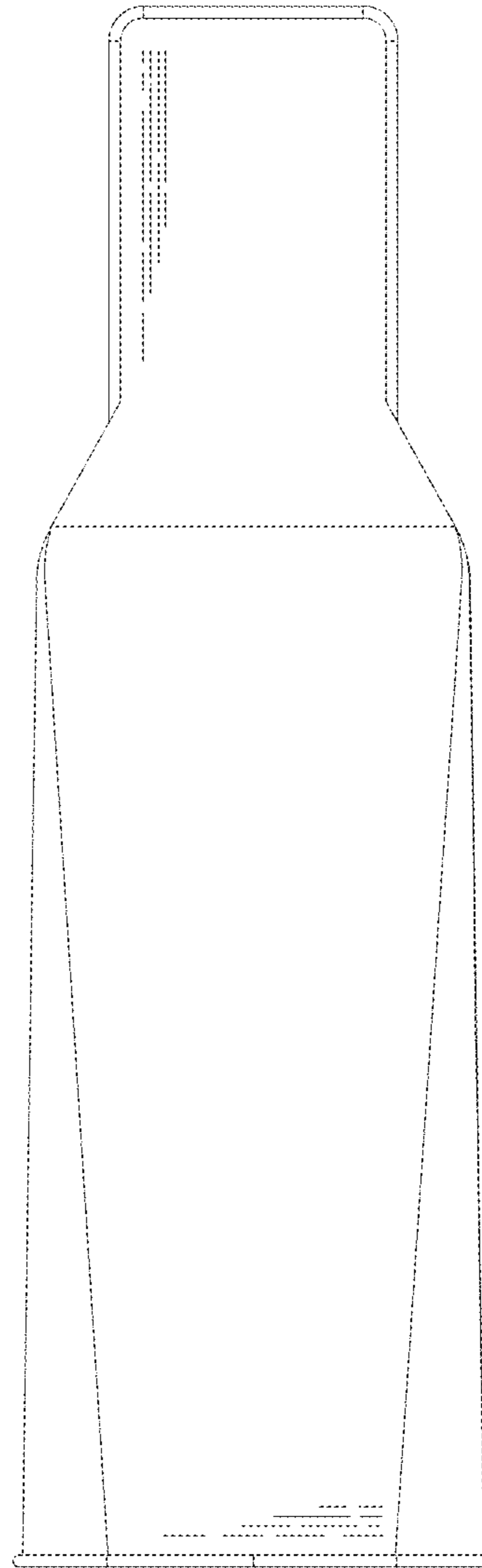


FIG. 7

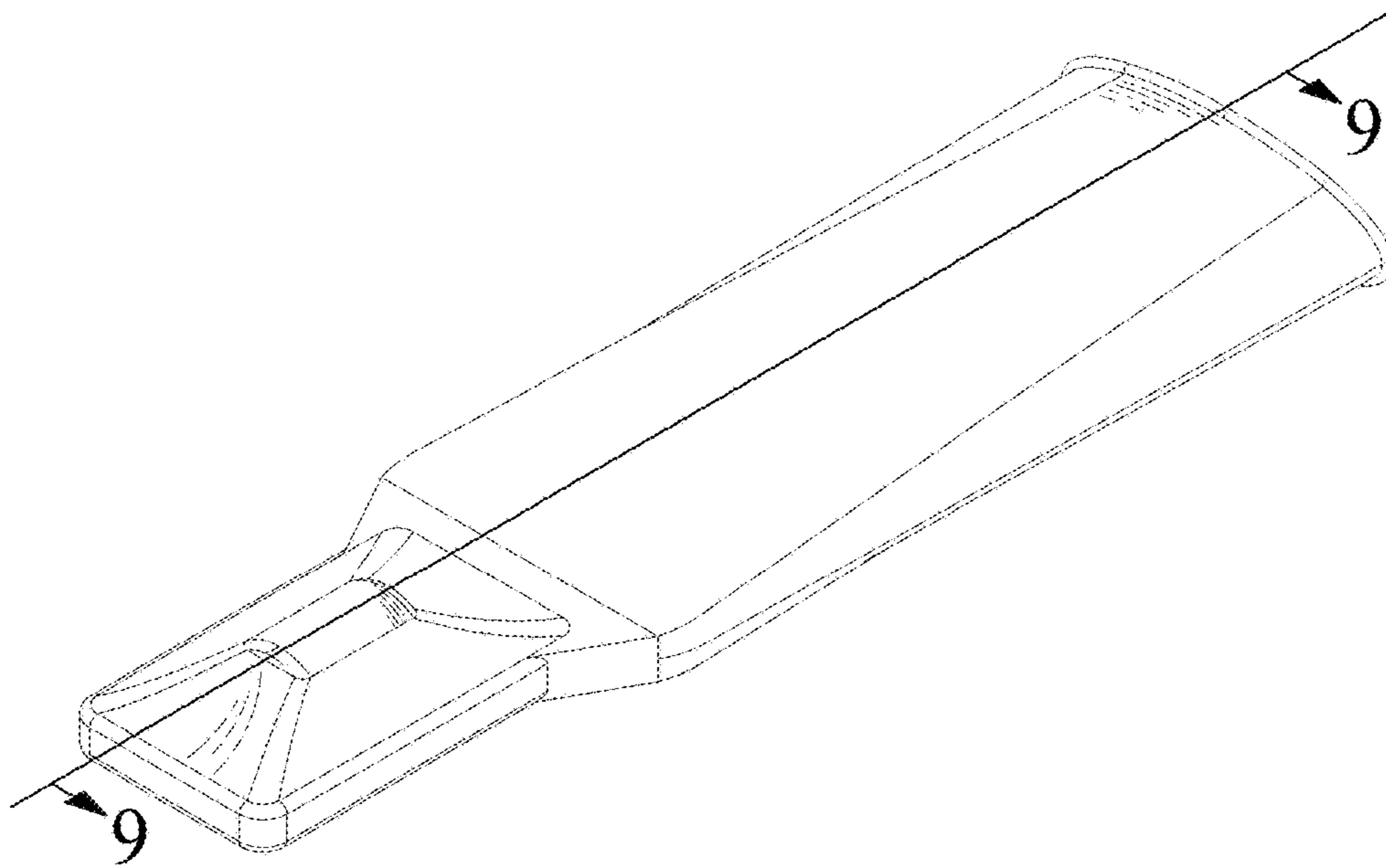


FIG. 8

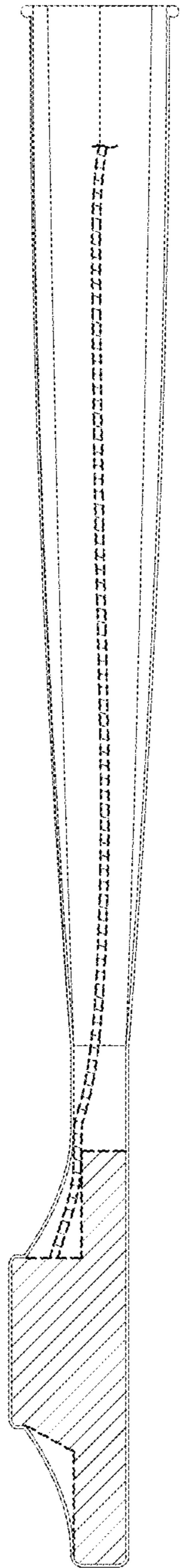


FIG. 9