



US00D818577S

(12) **United States Design Patent**  
**Melendez et al.**

(10) **Patent No.:** **US D818,577 S**

(45) **Date of Patent:** **\*\* May 22, 2018**

(54) **VAGINAL/CERVICAL CELL COLLECTING TOOL**

(71) Applicant: **MEL-MONT MEDICAL, LLC,**  
Miami, FL (US)

(72) Inventors: **Frank Melendez,** Miami, FL (US);  
**Liliana Montes,** Cali (CO)

(73) Assignee: **MEL-MONT MEDICAL, LLC,**  
Miami, FL (US)

(\*\*) Term: **15 Years**

(21) Appl. No.: **29/566,439**

(22) Filed: **May 31, 2016**

(51) **LOC (11) Cl.** ..... **24-02**

(52) **U.S. Cl.**  
USPC ..... **D24/119**

(58) **Field of Classification Search**  
USPC ..... D24/108, 112-114, 119, 133, 186, 127,  
D24/130, 141, 181; 600/572  
CPC . A61F 13/26; A61B 17/3401; A61B 10/0291;  
A61B 2090/0803; A61B 2017/00951;  
A61M 2025/0007; A61M 5/31; A61M  
5/3146; A61M 5/3129; A61M 5/3148;  
A61M 5/315; A61M 5/178

See application file for complete search history.

(56) **References Cited**

**U.S. PATENT DOCUMENTS**

D439,977 S \* 4/2001 Wenger ..... D24/133  
D443,058 S \* 5/2001 Mulhauser ..... D24/133

6,245,044 B1 \* 6/2001 Daw ..... A61B 17/3401  
604/158  
D532,513 S \* 11/2006 Eddings ..... D24/127  
D573,256 S \* 7/2008 Mauch ..... D24/130  
D775,324 S \* 12/2016 Larson ..... D24/114  
D775,325 S \* 12/2016 Larson ..... D24/114  
D792,587 S \* 7/2017 Owens ..... D24/133  
2006/0015128 A1 \* 1/2006 Fard ..... A61B 17/322  
606/167  
2015/0182203 A1 \* 7/2015 Pestes ..... A61B 10/02  
600/572

\* cited by examiner

*Primary Examiner* — Thomas Johannes

*Assistant Examiner* — Samantha Q. Lawrence

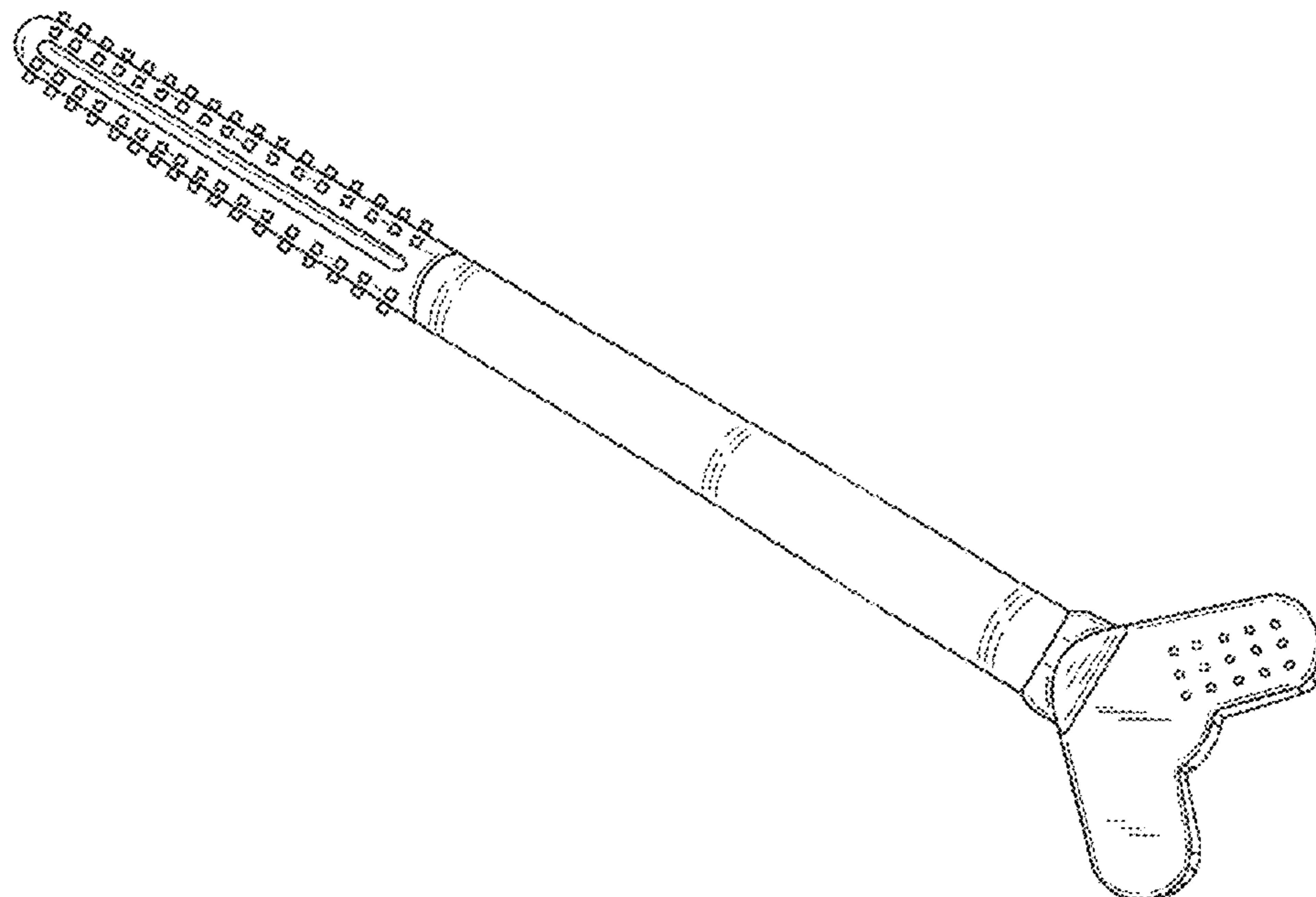
(57) **CLAIM**

The ornamental design for a vaginal/cervical cell collecting tool, as shown and described.

**DESCRIPTION**

FIG. 1 is a perspective view of a vaginal/cervical cell collecting tool;  
FIG. 2 is a top plan view thereof;  
FIG. 3 is a bottom plan view thereof;  
FIG. 4 is a left side view thereof;  
FIG. 5 is a right side view thereof;  
FIG. 6 is a rear view thereof; and,  
FIG. 7 is a front view thereof.

**1 Claim, 4 Drawing Sheets**



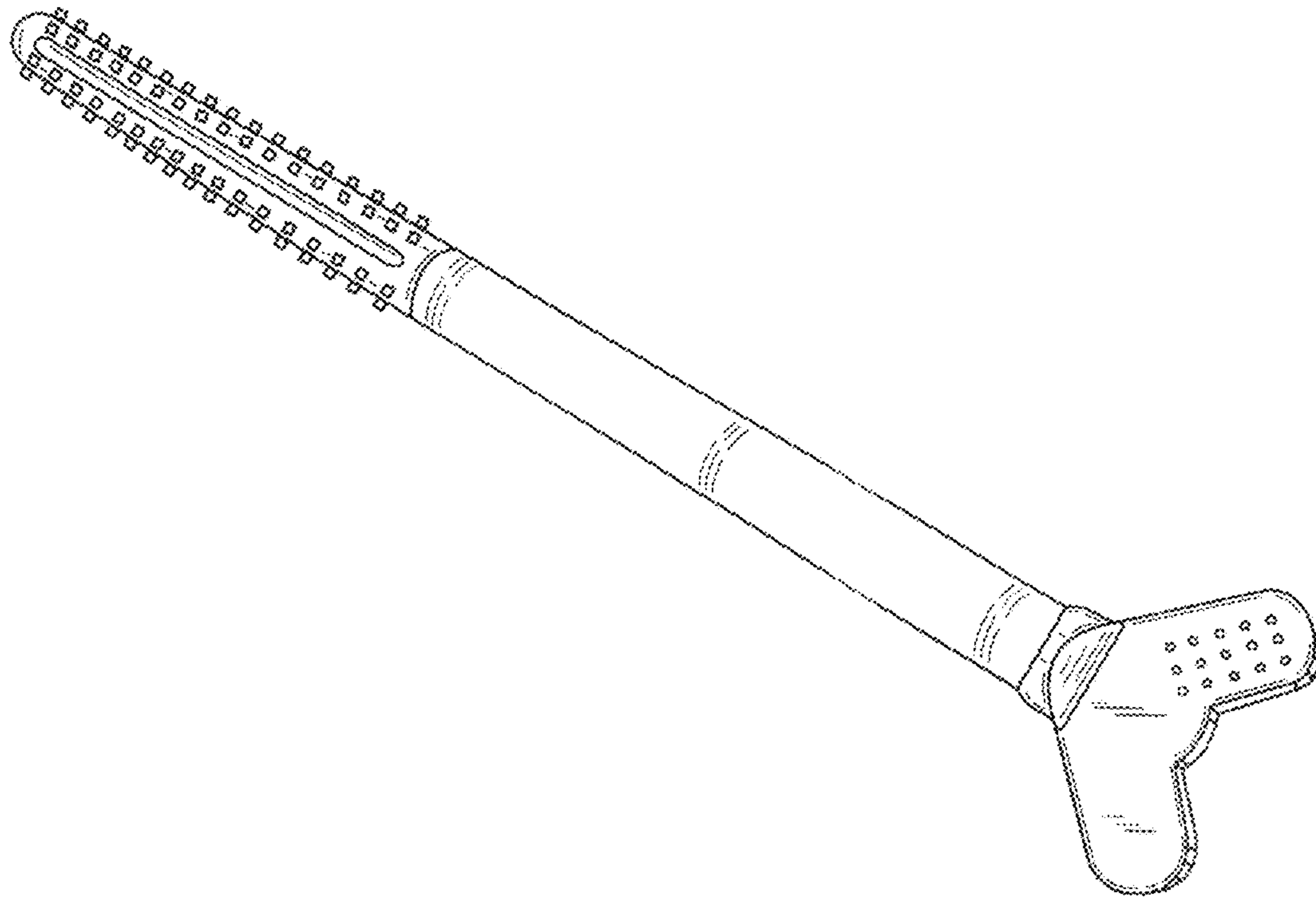


FIG. 1

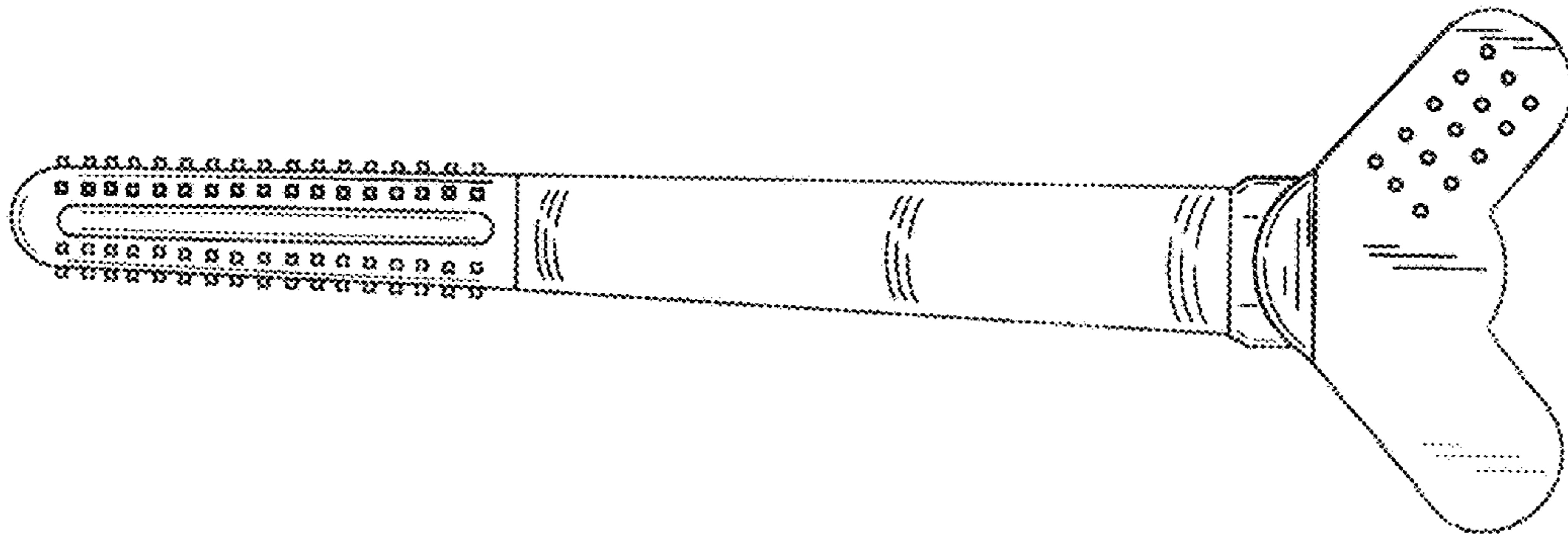


FIG. 2

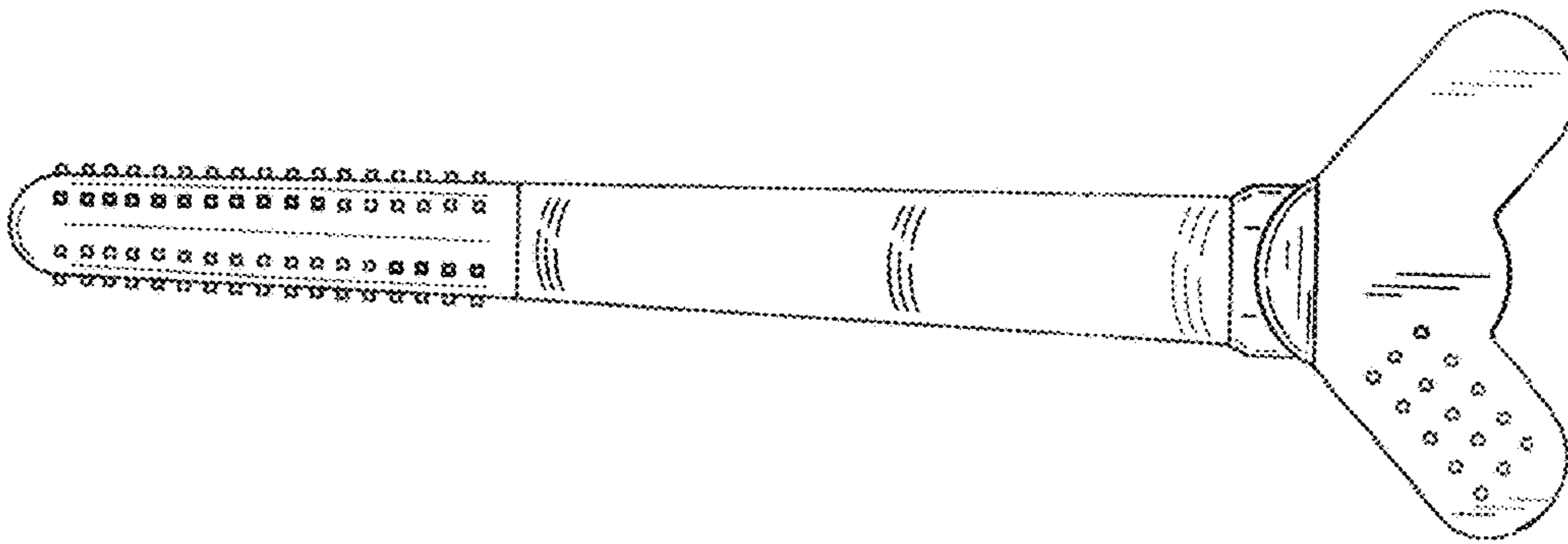


FIG. 3

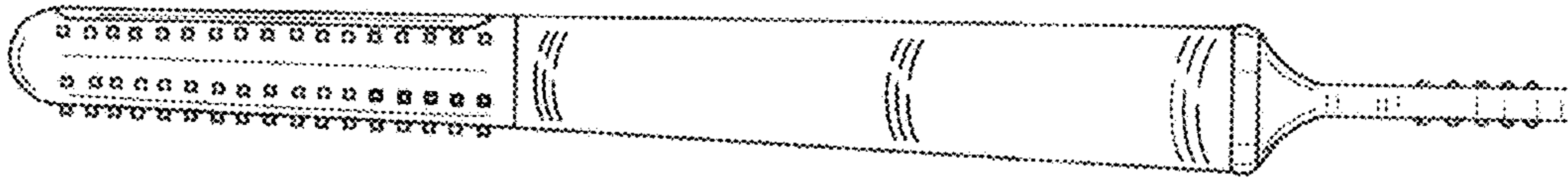


FIG. 4

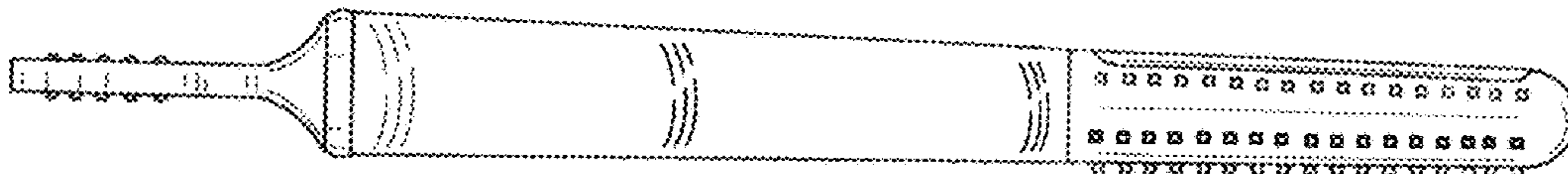


FIG. 5

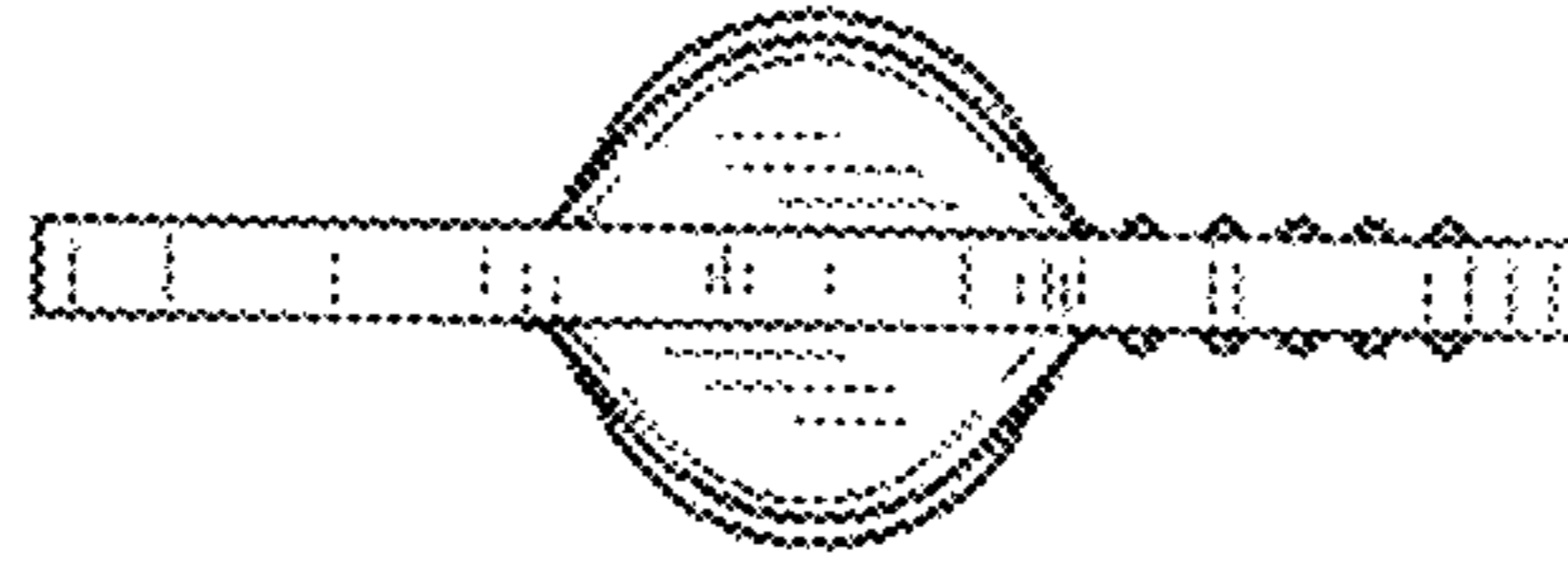


FIG. 6

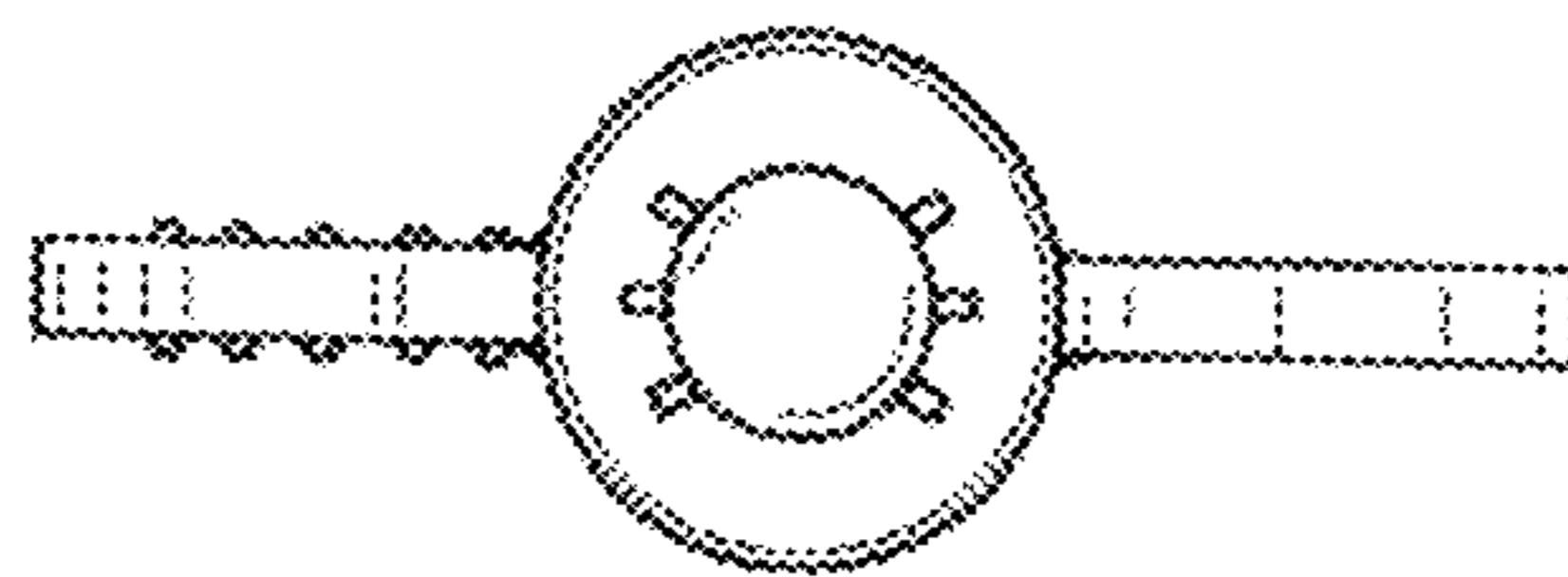


FIG. 7