



US00D818575S

(12) **United States Design Patent** (10) **Patent No.:** **US D818,575 S**
Corbin et al. (45) **Date of Patent:** **** May 22, 2018**

(54) **MEDICAL INJECTOR WITH ENHANCED GRIP**

(71) Applicant: **Becton Dickinson France S.A.S.**, Le Pont-de-Claix (FR)

(72) Inventors: **Jean-Yves Corbin**, Le Fresne Camilly (FR); **Maxime Vaupres**, Grentheville (FR)

(73) Assignee: **Becton Dickinson France S.A.S.**, Le Pont-de-Claix

(**) Term: **15 Years**

(21) Appl. No.: **29/547,831**

(22) Filed: **Dec. 8, 2015**

(51) **LOC (11) Cl.** **24-02**

(52) **U.S. Cl.**
USPC **D24/113**

(58) **Field of Classification Search**
USPC D24/127-131, 112-114, 133, 186; 606/181, 185; 604/264, 272, 115, 232, 604/187, 158, 164.08, 192, 263, 163, 181, 604/184, 198, 227; 600/101, 139, 143; 128/200.24, 207.14, 207.15; D19/115-123, 177, 193
CPC A61M 5/2033; A61M 2005/206; A61M 5/326; A61M 5/3202; A61M 2005/208
See application file for complete search history.

(56) **References Cited**

U.S. PATENT DOCUMENTS

D239,021 S	3/1976	D'Alo	
4,365,626 A	12/1982	House	
4,832,695 A	5/1989	Rosenberg et al.	
4,929,232 A	5/1990	Sweeney et al.	
D310,564 S *	9/1990	Besaw D24/220
D337,157 S	7/1993	Ortiz	
D375,788 S	11/1996	Potts et al.	

D380,262 S	6/1997	Van Funderburk et al.	
5,647,849 A	7/1997	Kalin	
D410,541 S *	6/1999	Moulin D24/110
D427,308 S	6/2000	Zinger	
D433,123 S *	10/2000	Sheppard D24/110
D473,646 S	4/2003	Baillargeon et al.	
6,582,397 B2	6/2003	Alesi et al.	
D483,487 S	12/2003	Harding et al.	
D492,774 S	7/2004	Cindrich et al.	
D497,990 S	11/2004	Jutila	
D505,200 S	5/2005	Simpson et al.	
D556,903 S *	12/2007	Bloc D24/114
D561,894 S *	2/2008	Hudson D24/113
7,351,227 B2 *	4/2008	Lemer A61M 5/1785 604/192
D607,558 S	1/2010	Abry et al.	
D612,487 S *	3/2010	Hunter D24/114
D629,510 S	12/2010	Grunhut	

(Continued)

Primary Examiner — David Muller

Assistant Examiner — Nathan Johnston

(74) *Attorney, Agent, or Firm* — The Webb Law Firm

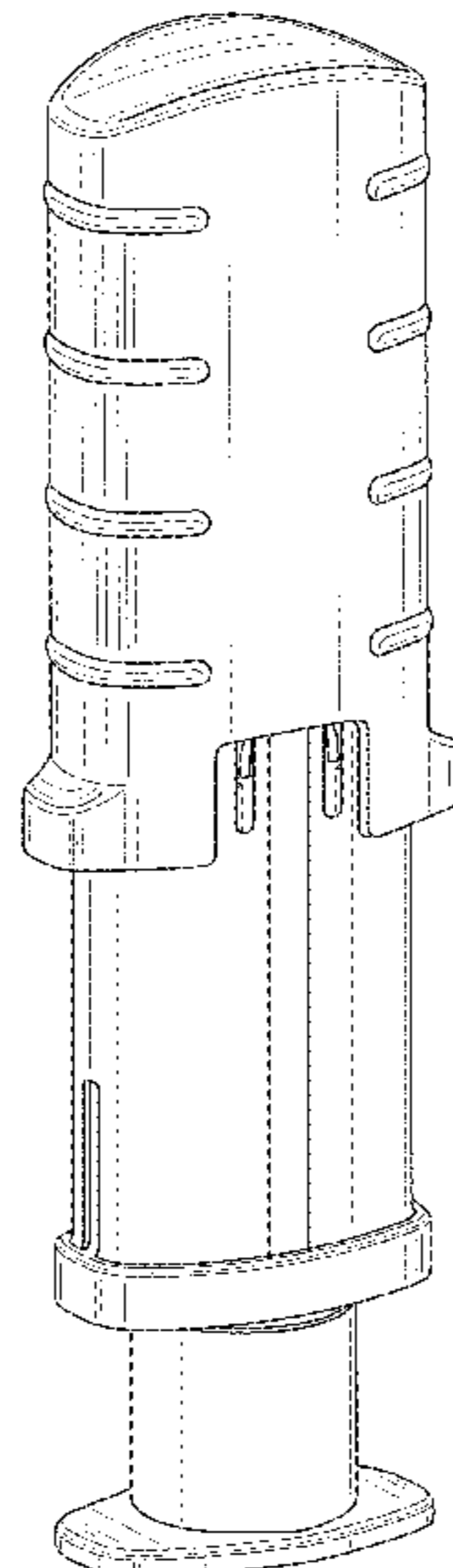
(57) **CLAIM**

The ornamental design for a medical injector with enhanced grip, as shown and described.

DESCRIPTION

FIG. 1 is a perspective view of a medical injector with an enhanced grip showing our new design. FIG. 2 is a front elevation view thereof. FIG. 3 is a rear elevation view thereof. FIG. 4 is a left side elevation view thereof. FIG. 5 is a right side elevation view thereof. FIG. 6 is an enlarged top plan view thereof; and, FIG. 7 is an enlarged bottom plan view thereof. Portions of the medical injector with enhanced grip shown in dashed lines in FIGS. 4, 5, and 7 depict unclaimed portions of the medical injector with enhanced grip that are included for environmental purposes only.

1 Claim, 5 Drawing Sheets



(56)

References Cited

U.S. PATENT DOCUMENTS

7,883,523 B2 *	2/2011	Abe	A61B 5/150022	606/181
D677,382 S *	3/2013	Foley	D24/114	
D678,514 S *	3/2013	Foley	D24/114	
D748,783 S *	2/2016	Zhang	D24/133	
D759,243 S *	6/2016	Molenschot	D24/114	
D765,241 S *	8/2016	Holland	D24/114	
2001/0044606 A1	11/2001	Inkpen et al.			
2004/0133172 A1	7/2004	Wilkinson			
2004/0210197 A1	10/2004	Conway			
2006/0111674 A1 *	5/2006	Vedrine	A61M 5/2429	604/187
2006/0229651 A1 *	10/2006	Marshall	A61B 5/150022	606/181
2008/0228147 A1	9/2008	David-Hegerich et al.			
2009/0312705 A1	12/2009	Grunhut et al.			
2010/0198163 A1 *	8/2010	Bonnet	A61M 5/3202	604/192
2011/0144584 A1 *	6/2011	Wozencroft	A61M 5/2033	604/110
2013/0085446 A1 *	4/2013	Pellegrini	A61M 5/315	604/111
2013/0218090 A1 *	8/2013	Roberts	A61M 5/326	604/192
2013/0296798 A1 *	11/2013	Roberts	A61M 5/326	604/198
2013/0324923 A1 *	12/2013	Roberts	A61M 5/326	604/110
2014/0296782 A1 *	10/2014	Ulrich	A61M 5/158	604/111
2015/0148744 A1 *	5/2015	Harms	A61M 5/3272	604/110
2015/0202373 A1 *	7/2015	Creaturo	A61M 5/31501	604/117
2015/0202380 A1 *	7/2015	Harms	A61M 5/3272	604/198
2016/0008546 A1 *	1/2016	Rekaya	A61M 5/3129	604/506

* cited by examiner

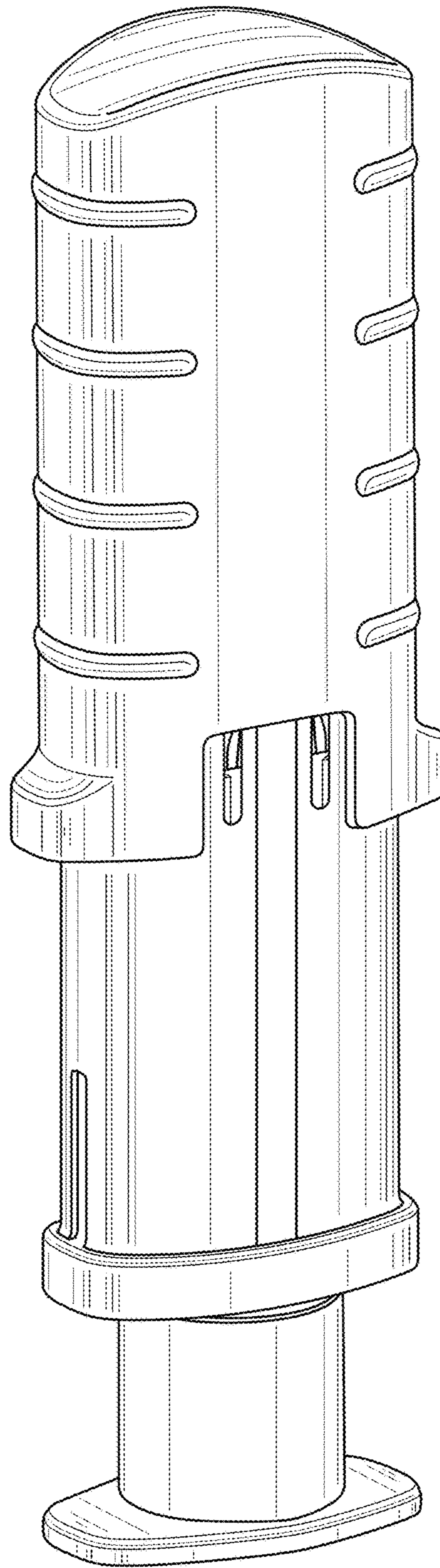


FIG. 1

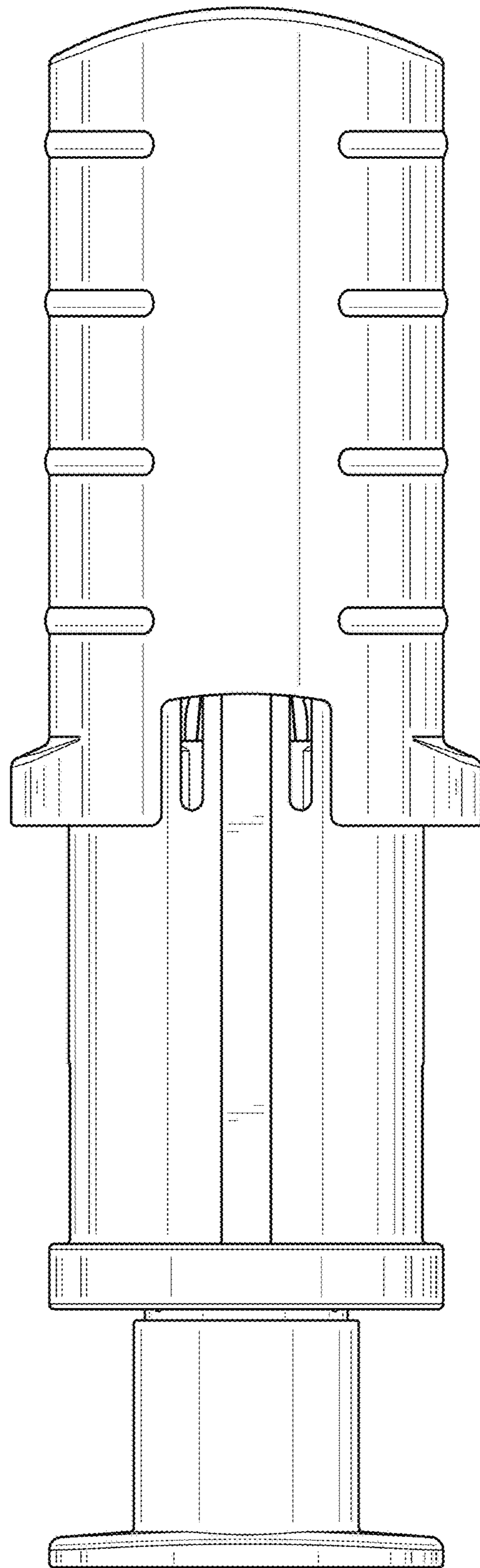


FIG. 2

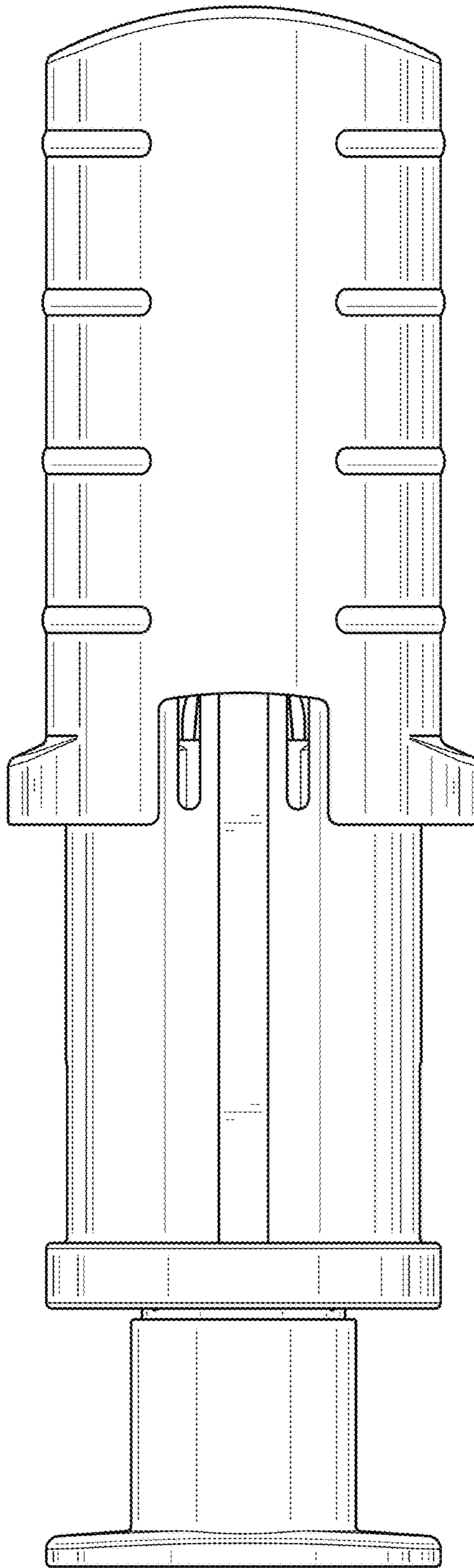


FIG. 3

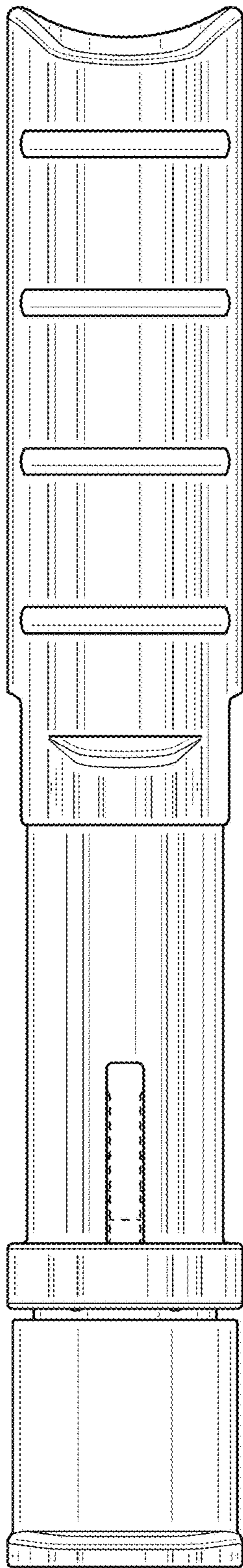


FIG. 4

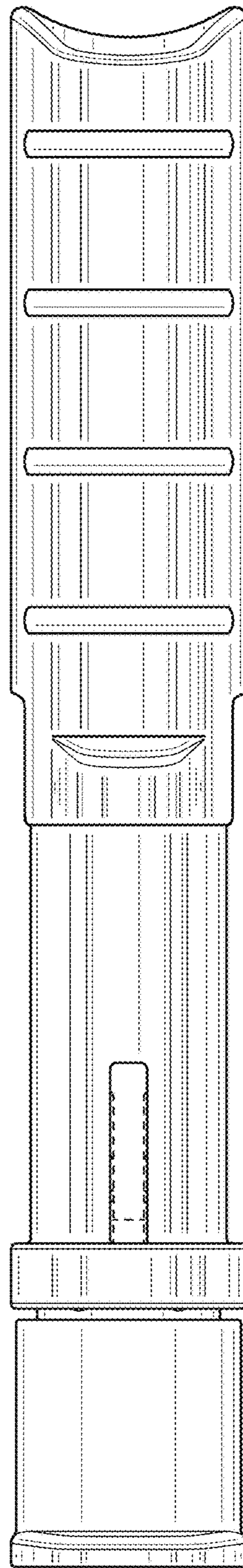


FIG. 5

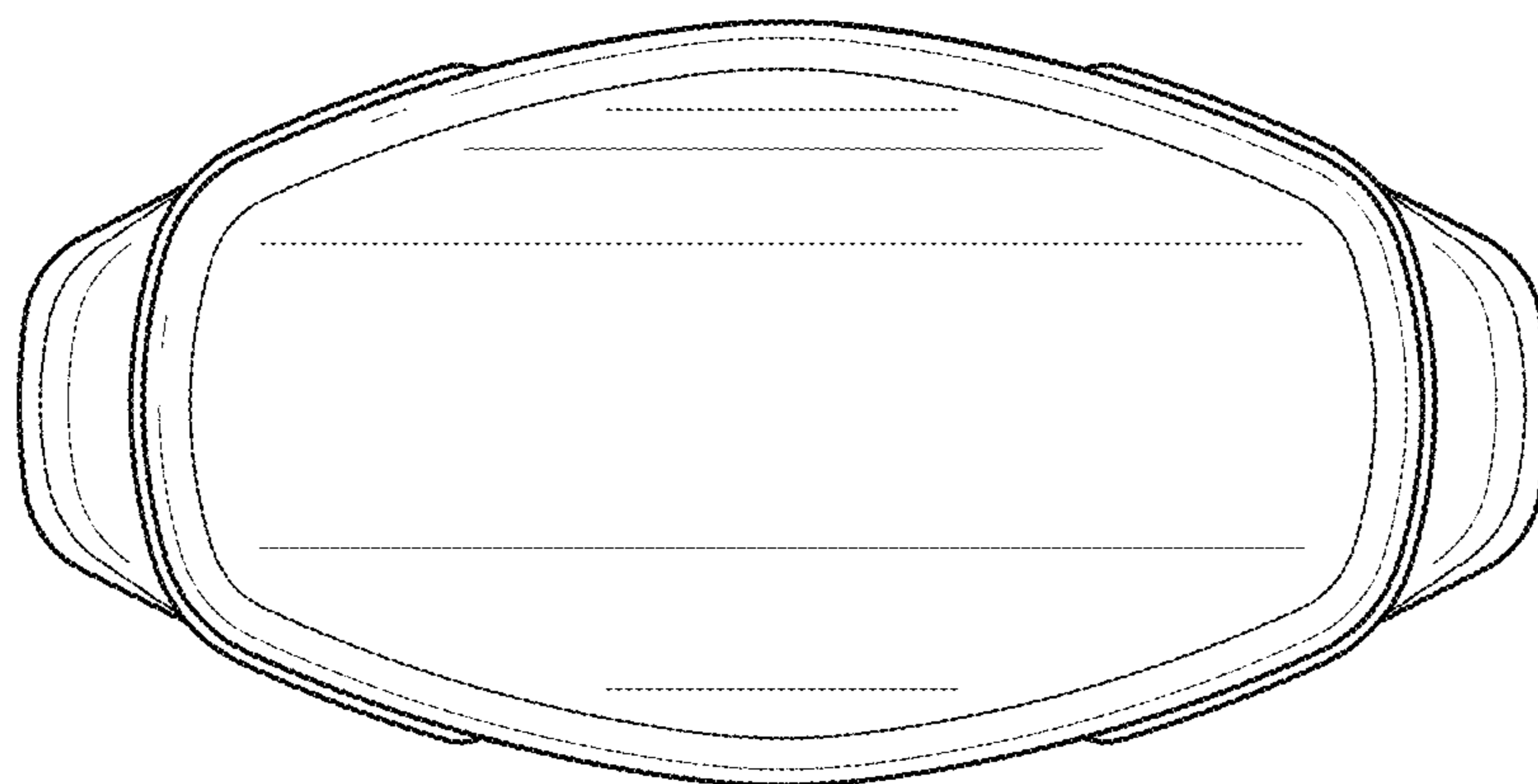


FIG. 6

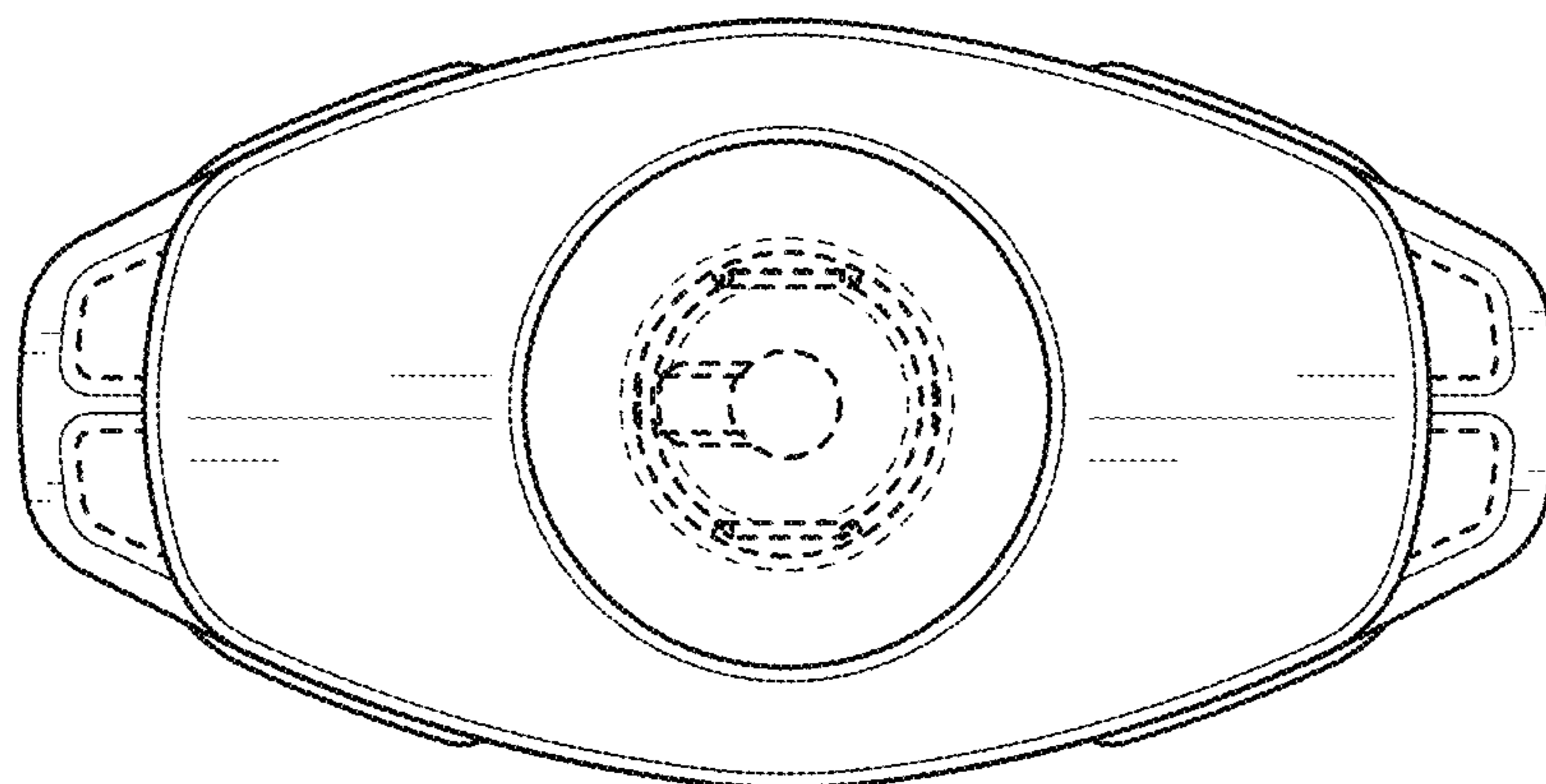


FIG. 7