



US00D818573S

(12) **United States Design Patent** (10) **Patent No.:** **US D818,573 S**
Williams (45) **Date of Patent:** **** May 22, 2018**

(54) **FIREWOOD STAND**
(71) Applicant: **Big Horn Outdoors, LLC**, Pelham, AL (US)
(72) Inventor: **Roger E. Williams**, Hoover, AL (US)
(73) Assignee: **Big Horn Outdoors, LLC**, Pelham, AL (US)
(**) Term: **15 Years**
(21) Appl. No.: **29/596,482**
(22) Filed: **Mar. 8, 2017**
(51) **LOC (11) Cl.** **07-08**
(52) **U.S. Cl.**
USPC **D23/403**
(58) **Field of Classification Search**
USPC D23/403-410, 415-422, 499, 345, 347, D23/349; D7/332, 402, 407, 417; D15/144; 40/428, 798; 52/36.3; 126/201, 258, 500, 512, 540, 543, 544, 126/548, 555, 298; 160/DIG. 9; 219/549
See application file for complete search history.

D697,193 S * 1/2014 Hills D23/403
D697,194 S * 1/2014 Hills D23/403
D701,953 S * 4/2014 Hills D23/403
D706,408 S * 6/2014 Betz D23/403
D731,636 S * 6/2015 Hills D23/403

FOREIGN PATENT DOCUMENTS

CN 6277691 7/2017

* cited by examiner

Primary Examiner — Cynthia Ramirez
Assistant Examiner — Gino Colan
(74) *Attorney, Agent, or Firm* — Bush Intellectual Property Law; Kenneth M. Bush

(57) **CLAIM**

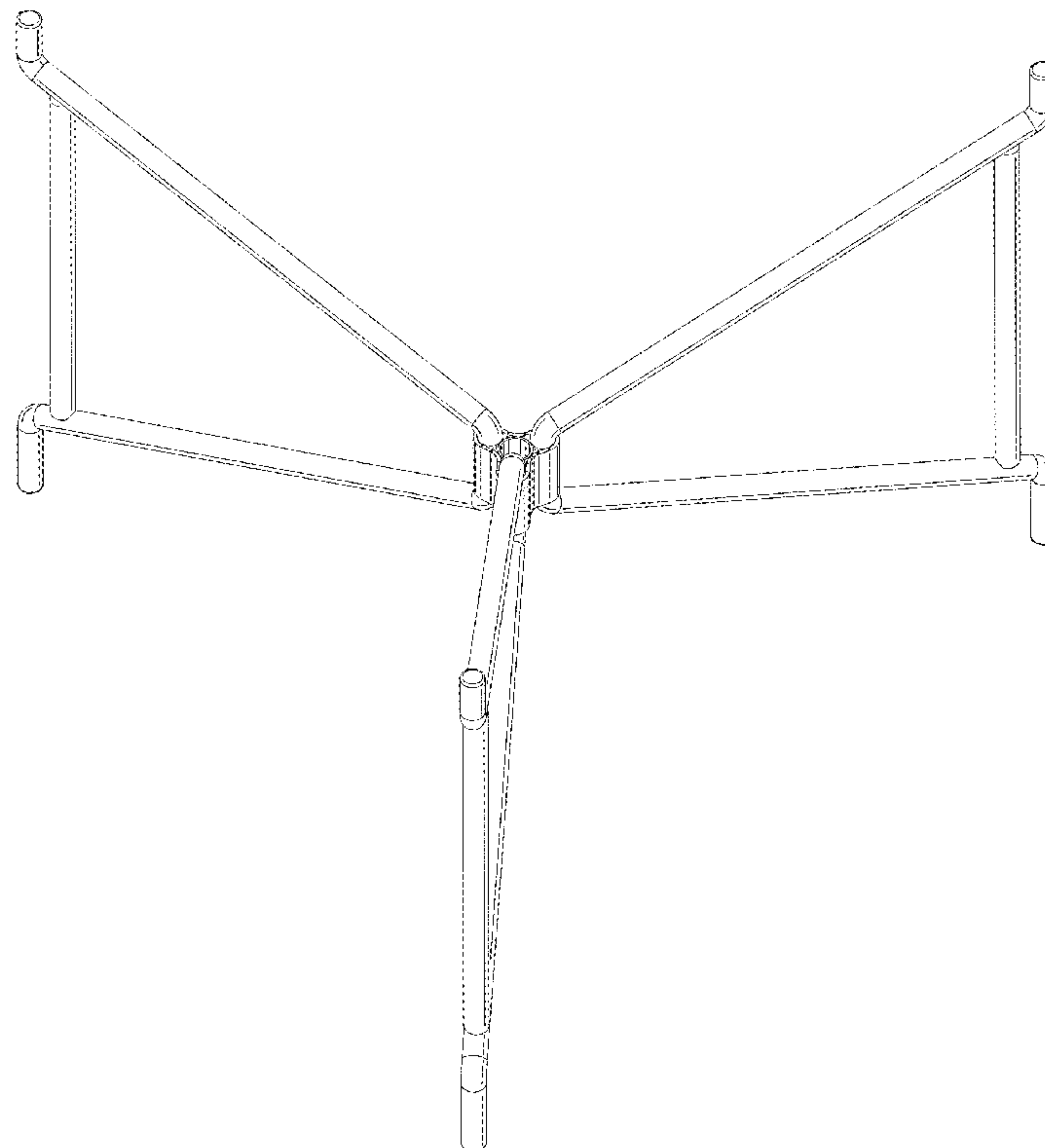
I claim the ornamental design for a firewood stand, as shown and described.

DESCRIPTION

FIG. 1 is a top perspective view of a firewood stand showing my new design;
FIG. 2 is a front elevational view thereof;
FIG. 3 is a rear elevational view thereof;
FIG. 4 is a left side elevational view thereof;
FIG. 5 is a right side elevational view thereof;
FIG. 6 is a top plan view thereof; and,
FIG. 7 is a bottom plan view thereof.

1 Claim, 7 Drawing Sheets

(56) **References Cited**
U.S. PATENT DOCUMENTS
D517,681 S * 3/2006 Butler D23/403
D612,477 S * 3/2010 Simpson D23/403
D697,192 S * 1/2014 Hills D23/403



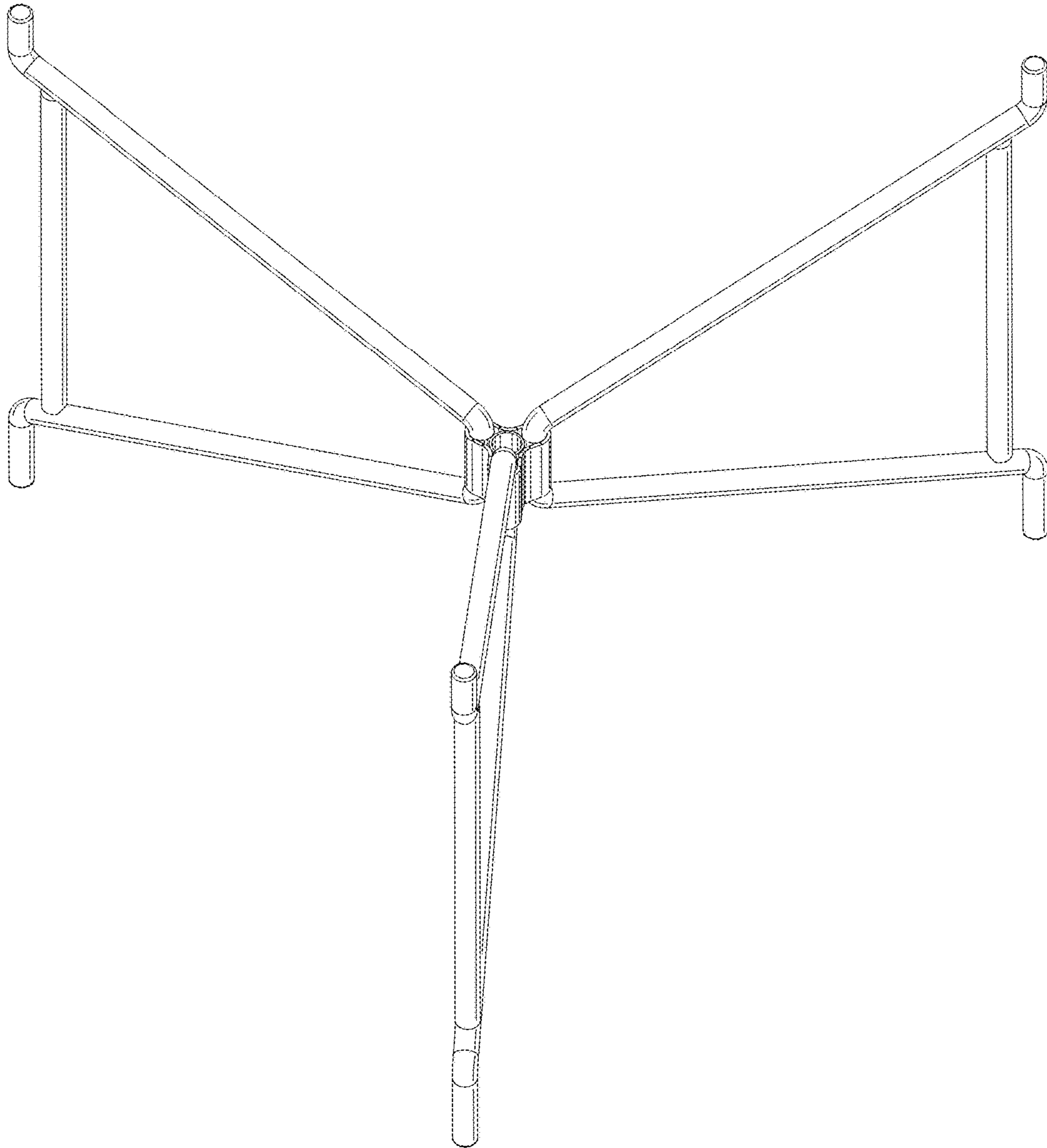


FIG. 1

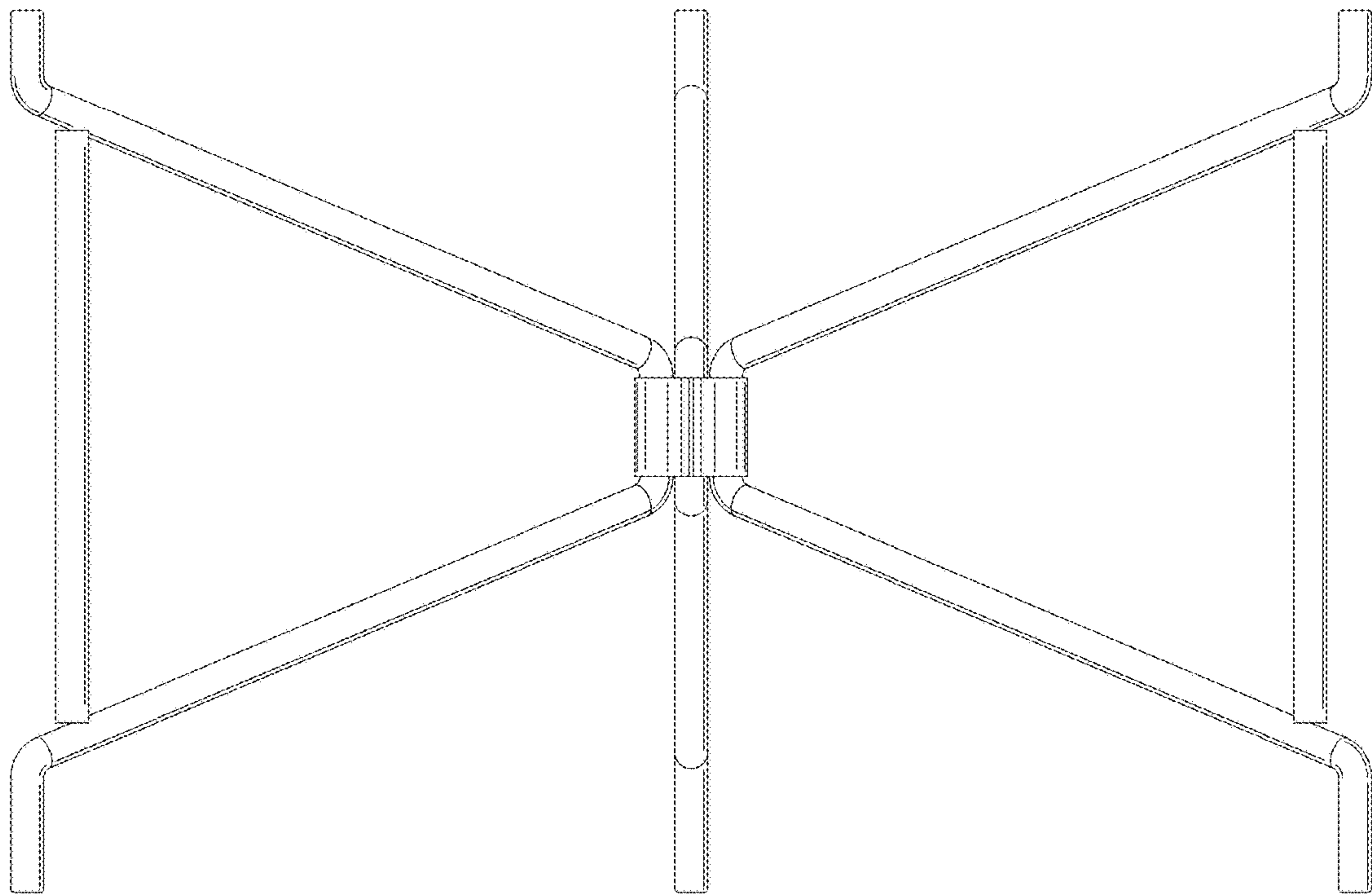


FIG. 2

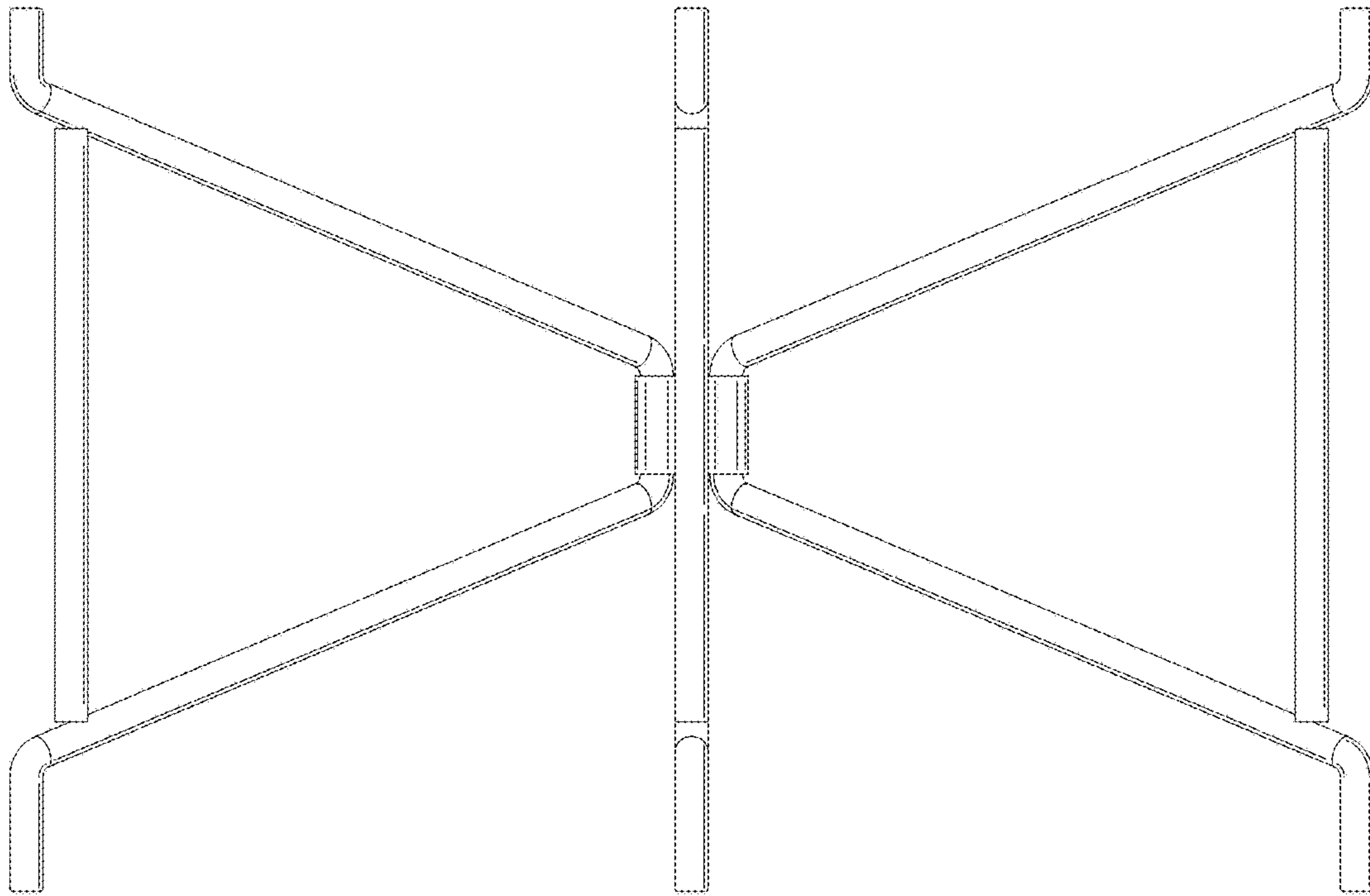


FIG. 3

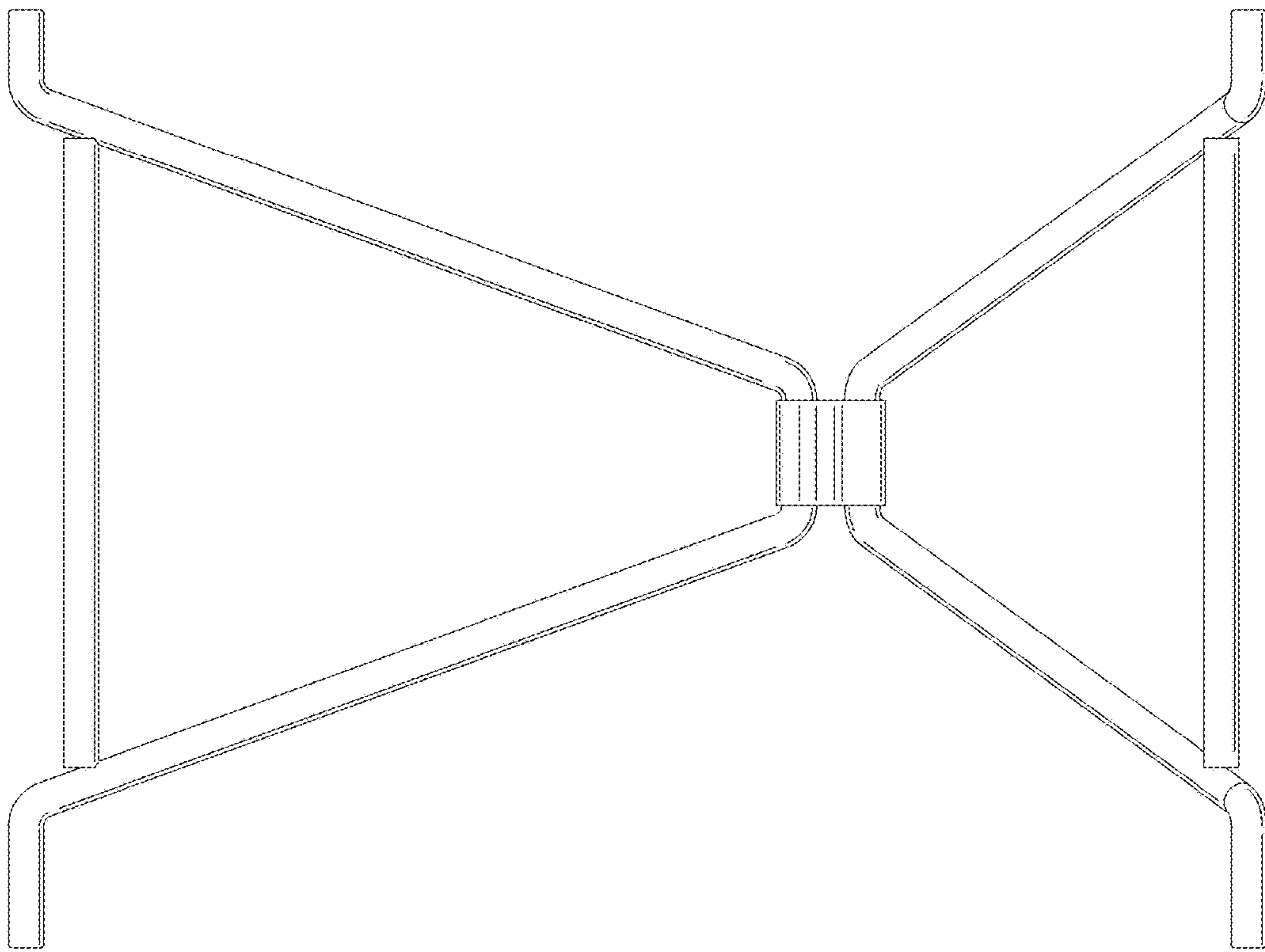


FIG. 4

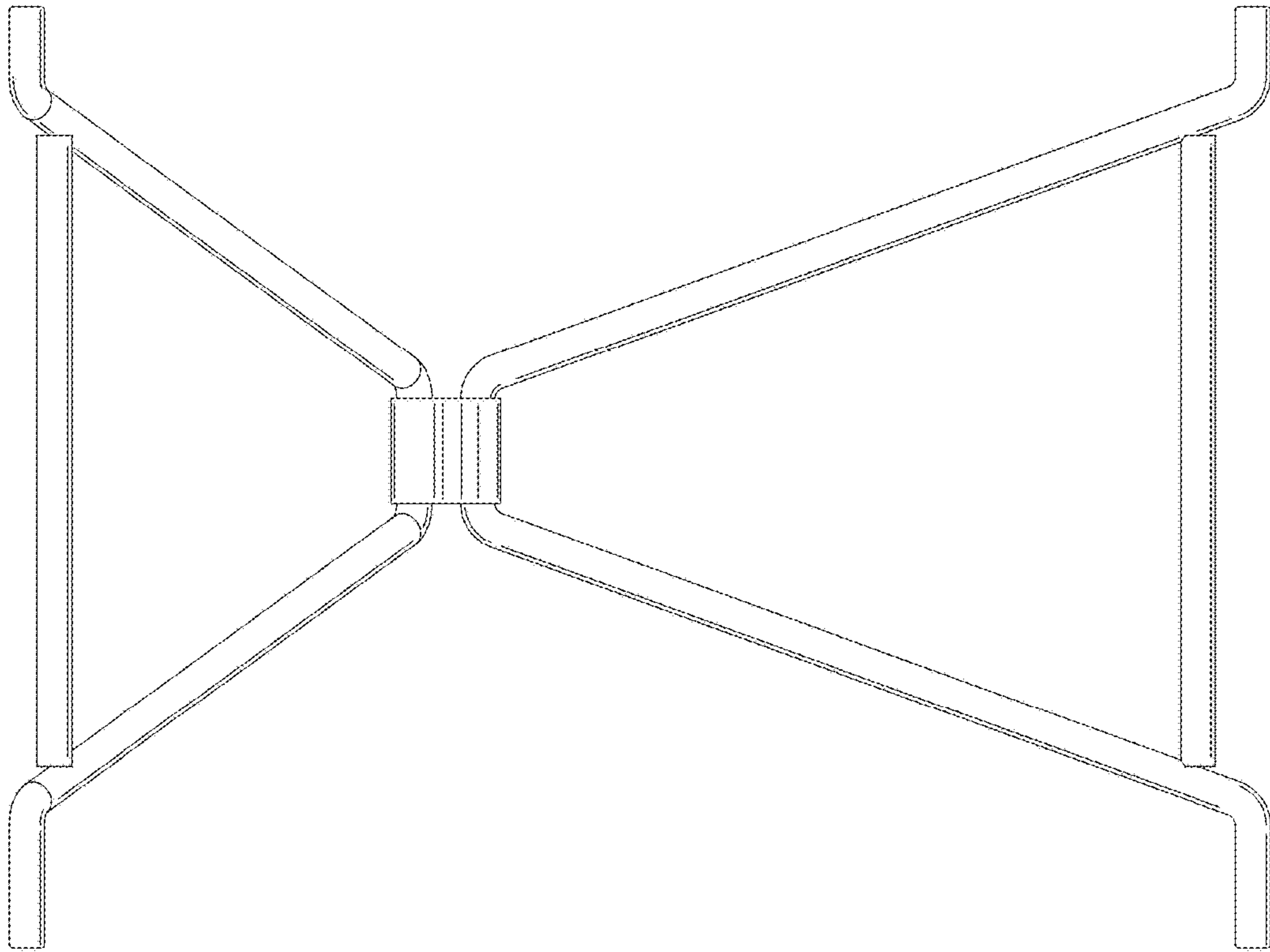


FIG. 5

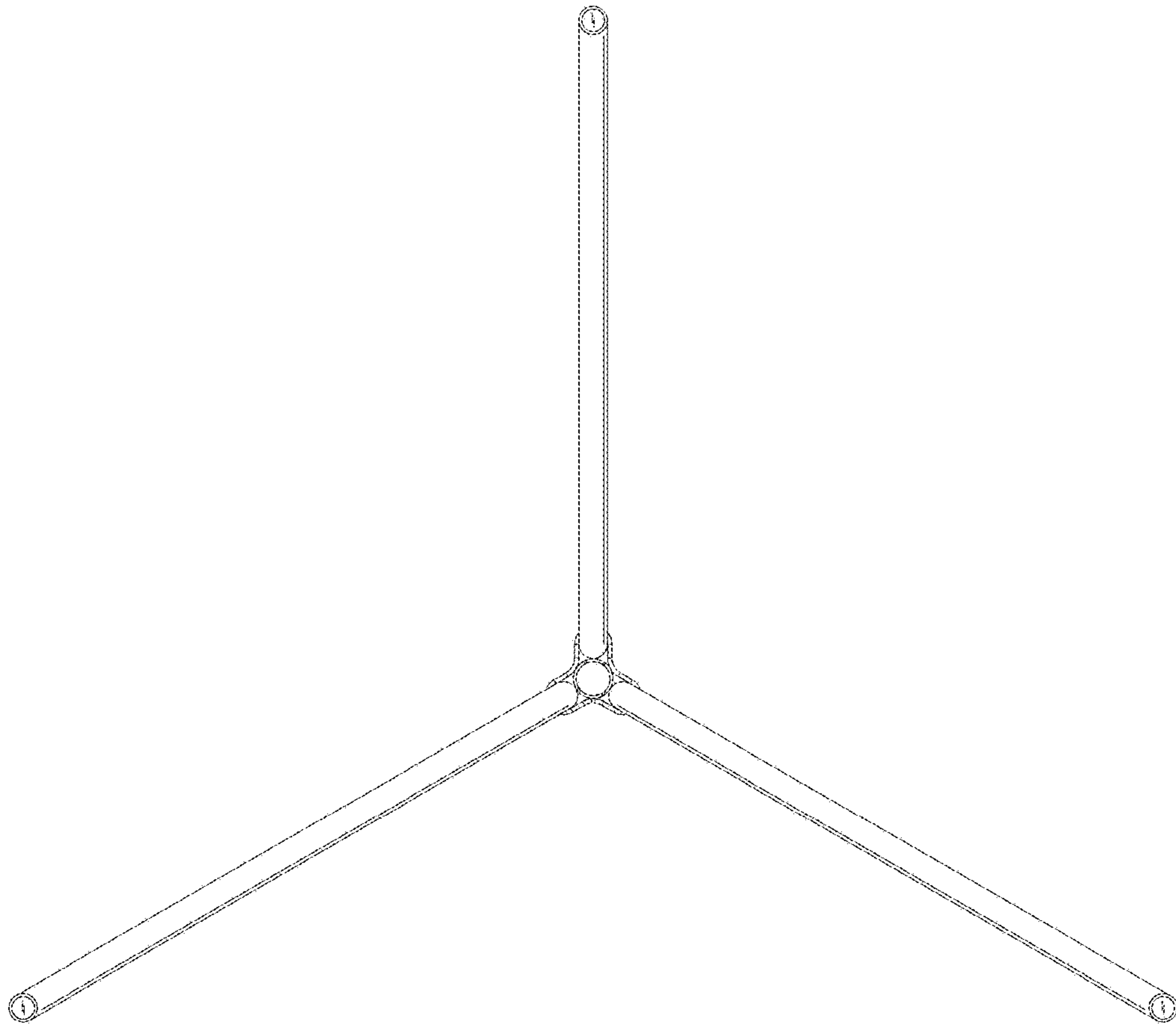


FIG. 6

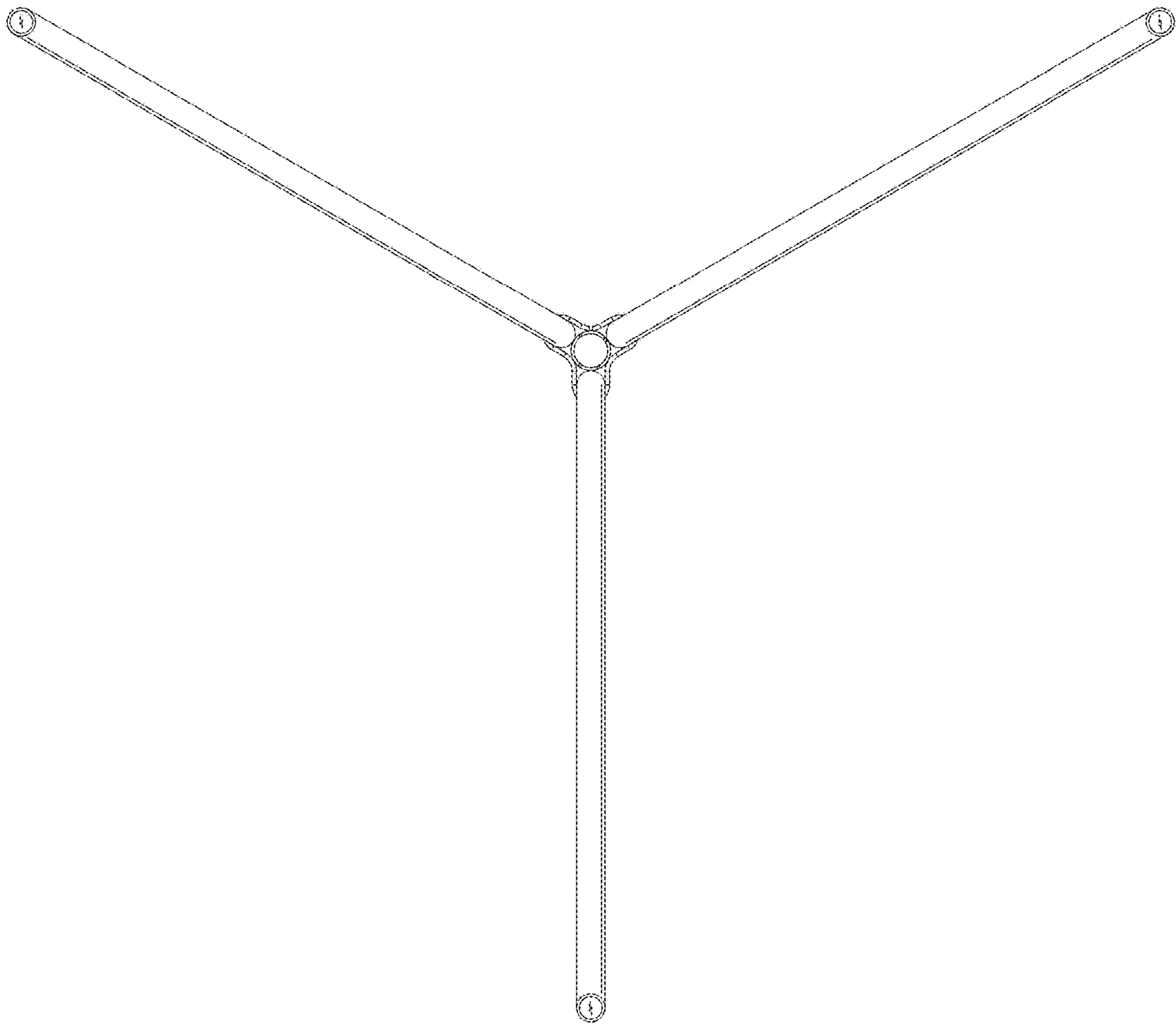


FIG. 7