



US00D818572S

(12) **United States Design Patent** (10) **Patent No.:** **US D818,572 S**
Gajewski (45) **Date of Patent:** **** *May 22, 2018**

(54) **CEILING FAN**
(71) Applicant: **Minka Lighting, Inc.**, Corona, CA (US)
(72) Inventor: **Mark Gajewski**, Avila Beach, CA (US)
(73) Assignee: **Minka Lighting, Inc.**, Corona, CA (US)
(*) Notice: This patent is subject to a terminal disclaimer.
(**) Term: **15 Years**

D131,699 S * 3/1942 Funk 416/202
D305,059 S * 12/1989 Miranda D23/377
D321,933 S * 11/1991 Markwardt D23/377
D323,384 S * 1/1992 Mason D23/377
D329,894 S * 9/1992 Scofield D23/377
5,151,011 A * 9/1992 Rezek F21V 33/0096
416/5
D331,101 S * 11/1992 Rezek D23/377
D346,438 S * 4/1994 Caldwell D23/377
D347,056 S * 5/1994 Bucher D23/377
D525,699 S * 7/2006 Davenport D23/377
D535,011 S 1/2007 Gajewski
D535,387 S 1/2007 Gajewski
D535,388 S 1/2007 Gajewski
D536,083 S 1/2007 Gajewski

(Continued)

(21) Appl. No.: **29/596,197**
(22) Filed: **Mar. 6, 2017**

Primary Examiner — Susan Bennett Hattan
Assistant Examiner — Marie D. Fast Horse
(74) *Attorney, Agent, or Firm* — Baker & McKenzie LLP

Related U.S. Application Data

(63) Continuation of application No. 29/552,865, filed on Jan. 26, 2016, now Pat. No. Des. 780,902.
(51) **LOC (11) Cl.** **23-04**
(52) **U.S. Cl.**
USPC **D23/377; D23/413**
(58) **Field of Classification Search**
USPC D23/377, 379, 385, 387, 411–414, 499;
416/1, 5, 170 R, 214 R, 184, 206, 207,
416/210 R, 220 R, 244 R, 248; 392/364;
D26/59, 51, 72, 73, 80–86, 88, 90
CPC F04D 25/088; F04D 29/601; F04D 29/322;
F04D 29/324; F21V 33/0096; B64C
11/16; B64C 11/26
See application file for complete search history.

(57) **CLAIM**

The ornamental design for a ceiling fan, as shown and described.

DESCRIPTION

FIG. 1 is a perspective view of a ceiling fan in accordance with my design;
FIG. 2 is a top plan view of the ceiling fan in accordance with my design;
FIG. 3 is a bottom plan view of the ceiling fan in accordance with my design;
FIG. 4 is a front side view of the ceiling fan in accordance with my design, the rear side being identical thereto; and,
FIG. 5 is a left side elevation view of the ceiling fan in accordance with my design, the opposite side view being identical thereto.

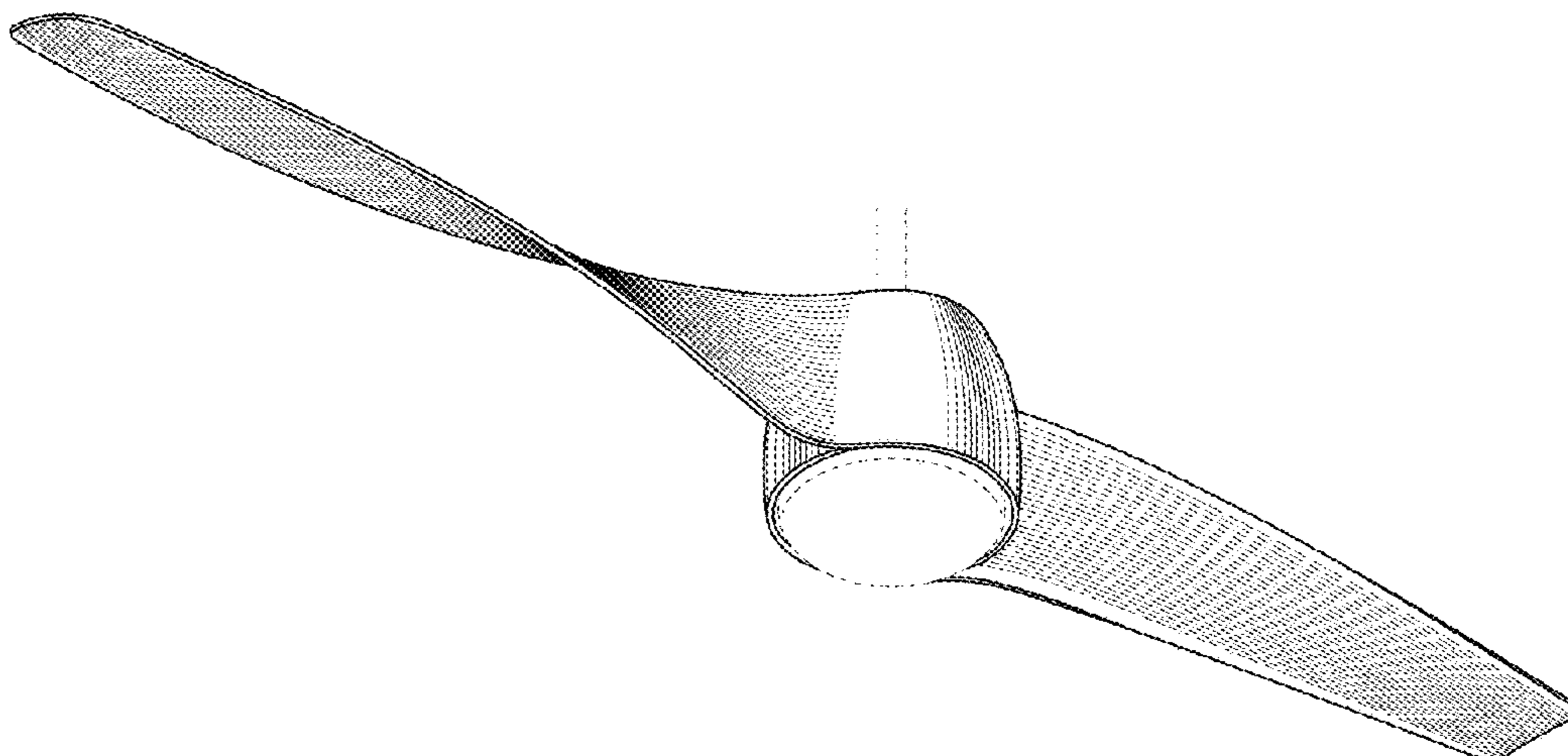
The broken-line disclosure of elements is understood to represent portions of the article in which the design is embodied, but which form no part of the claimed design.

(56) **References Cited**

U.S. PATENT DOCUMENTS

2,023,454 A * 12/1935 Warren B64C 11/16
416/234
2,058,122 A * 10/1936 Assala B64C 11/16
416/234

1 Claim, 2 Drawing Sheets



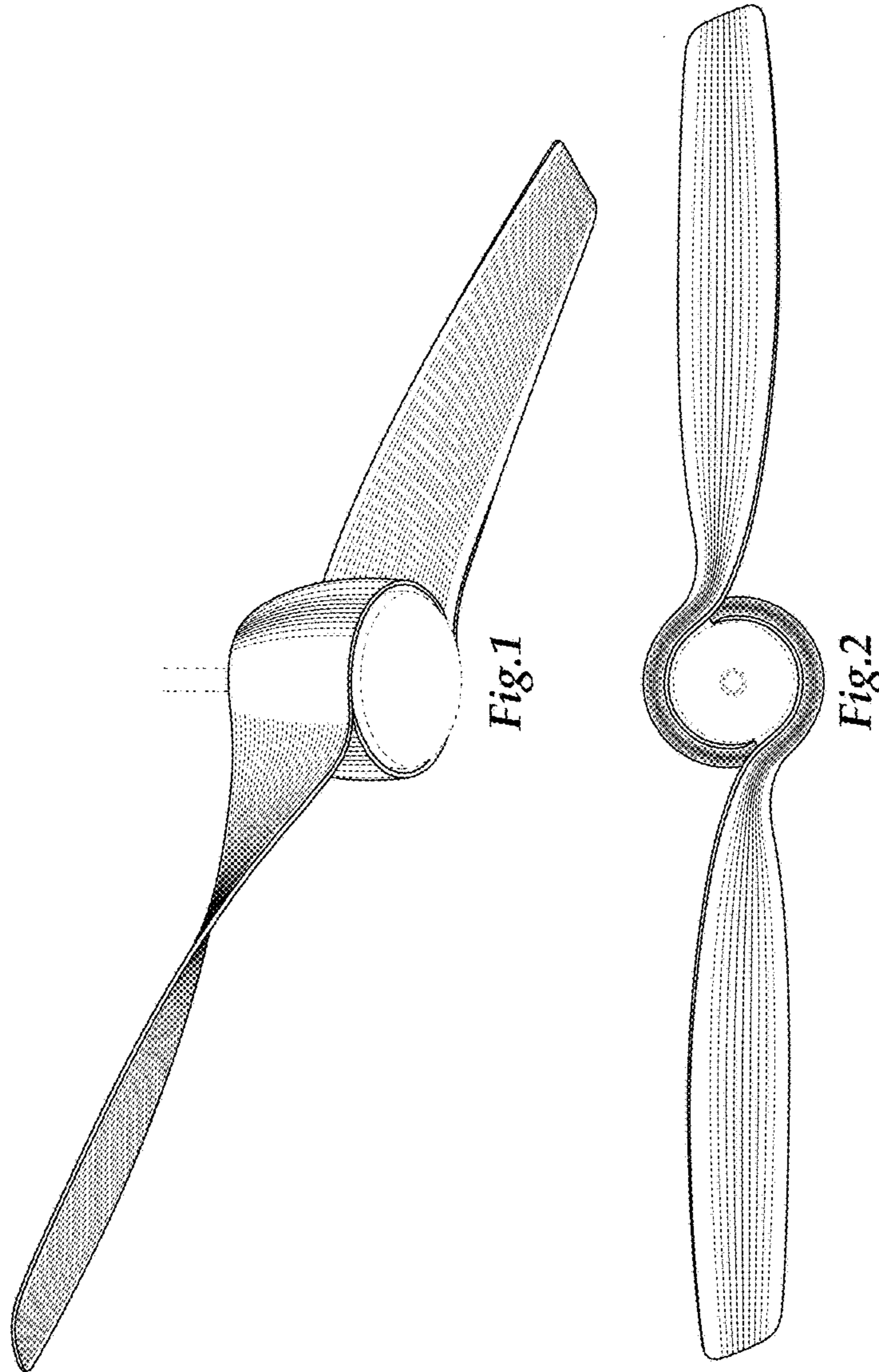
(56)

References Cited

U.S. PATENT DOCUMENTS

D670,802	S	11/2012	Wang	
D671,203	S	11/2012	Wang	
D678,997	S	3/2013	Gajewski	
D680,210	S	4/2013	Chan	
D690,409	S *	9/2013	Noble D23/377
D715,419	S	10/2014	Schulzman	
D716,438	S	10/2014	Liu	
D721,430	S	1/2015	Schulzman	
D741,468	S	10/2015	Ertze	
D762,839	S *	8/2016	Schulzman D23/411
D778,421	S *	2/2017	Hidalgo D23/377
D778,426	S *	2/2017	Hidalgo D23/411
D778,427	S *	2/2017	Hidalgo D23/411
D780,902	S *	3/2017	Gajewski D23/377
D780,905	S *	3/2017	Schulzman D23/411
2007/0104583	A1	5/2007	Gajewski	
2012/0177496	A1	7/2012	Gajewski	

* cited by examiner



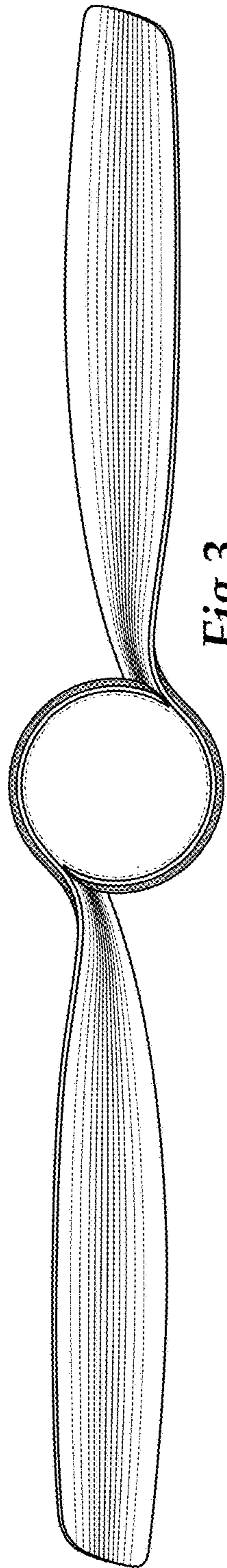


Fig.3

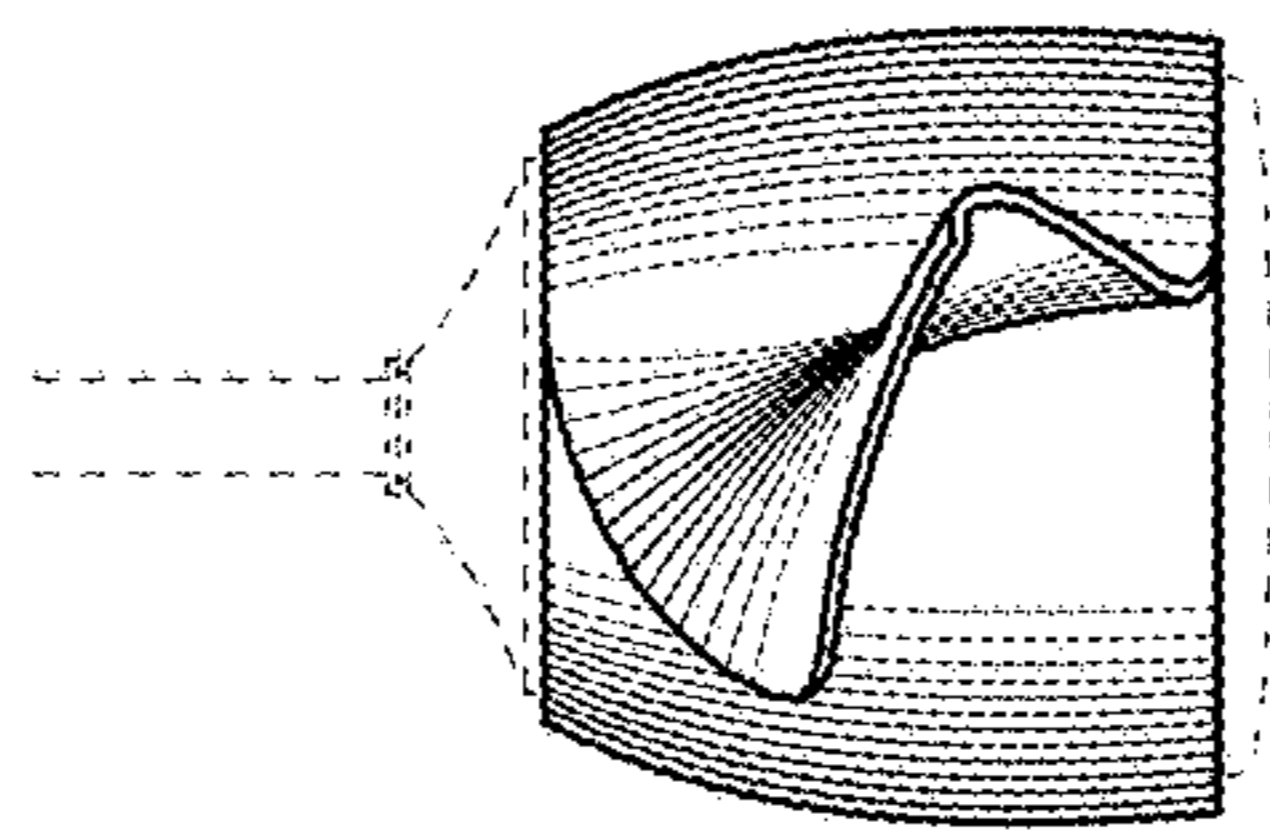


Fig.4

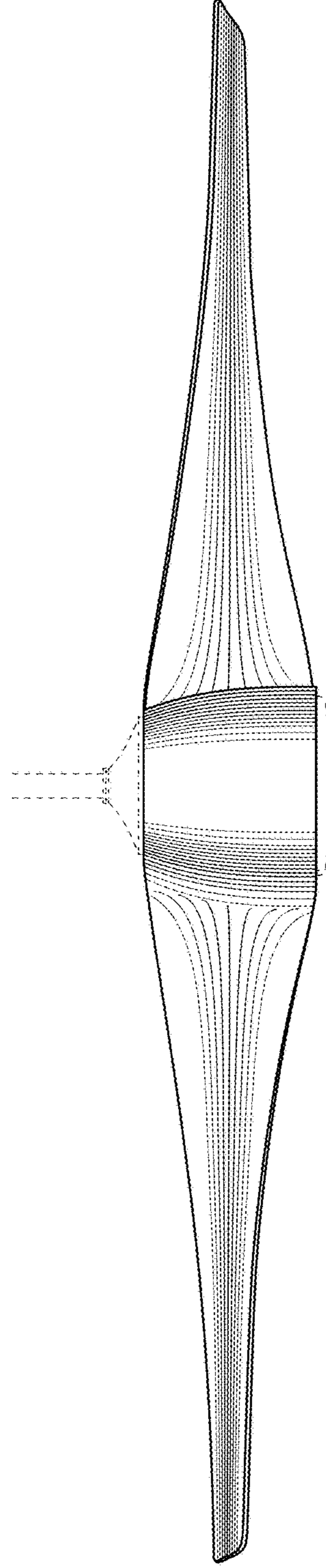


Fig.5