



US00D818571S

(12) **United States Design Patent**  
**Hidalgo**

(10) **Patent No.:** **US D818,571 S**  
(45) **Date of Patent:** **\*\* \*May 22, 2018**

(54) **CEILING FAN HOUSING WITH LIGHT FIXTURE**

D285,720 S 9/1986 Markwardt  
4,796,166 A 1/1989 Greenberg  
D315,947 S 4/1991 Hollbrook  
5,028,206 A 7/1991 Kendregan et al.

(71) Applicant: **Minka Lighting, Inc.**, Corona, CA (US)

(Continued)

(72) Inventor: **Rolando Hidalgo**, Yorba Linda, CA (US)

**OTHER PUBLICATIONS**

(73) Assignee: **Minka Lighting, Inc.**, Corona, CA (US)

1980s Fan by Murray Feiss Model CF-1, 2 and 3. vintageceilingfans.com [online] 15 pages Uploaded Mar. 1, 2013 [retrieved on Feb. 16, 2016]. Retrieved from Internet: <http://www.vintageceilingfans.com/murryfeissceilingfanmodelcf-1,2,3,.html>.

(\*) Notice: This patent is subject to a terminal disclaimer.

(Continued)

(\*\*) Term: **15 Years**

*Primary Examiner* — Susan Bennett Hattan

*Assistant Examiner* — Marie D. Fast Horse

(21) Appl. No.: **29/593,158**

(74) *Attorney, Agent, or Firm* — Baker & McKenzie LLP

(22) Filed: **Feb. 6, 2017**

(57) **CLAIM**

The ornamental design for a ceiling fan housing with light fixture, as shown and described.

**Related U.S. Application Data**

**DESCRIPTION**

(63) Continuation of application No. 29/549,588, filed on Dec. 22, 2015, now Pat. No. Des. 778,426.

(51) **LOC (11) Cl.** ..... **23-04**

(52) **U.S. Cl.**  
USPC ..... **D23/377**; D26/59

(58) **Field of Classification Search**  
USPC ..... D23/377, 379, 385, 387, 411–414, 499; 416/1, 5, 170 R, 214 R, 184, 206, 207, 416/210 R, 220 R, 244 R, 248; 392/364; D26/59, 51, 72, 73, 80–86, 88, 90  
CPC .... F04D 25/088; F04D 29/005; F04D 29/601; F04D 29/322; F04D 29/324; F04D 29/34; F21V 33/0096

See application file for complete search history.

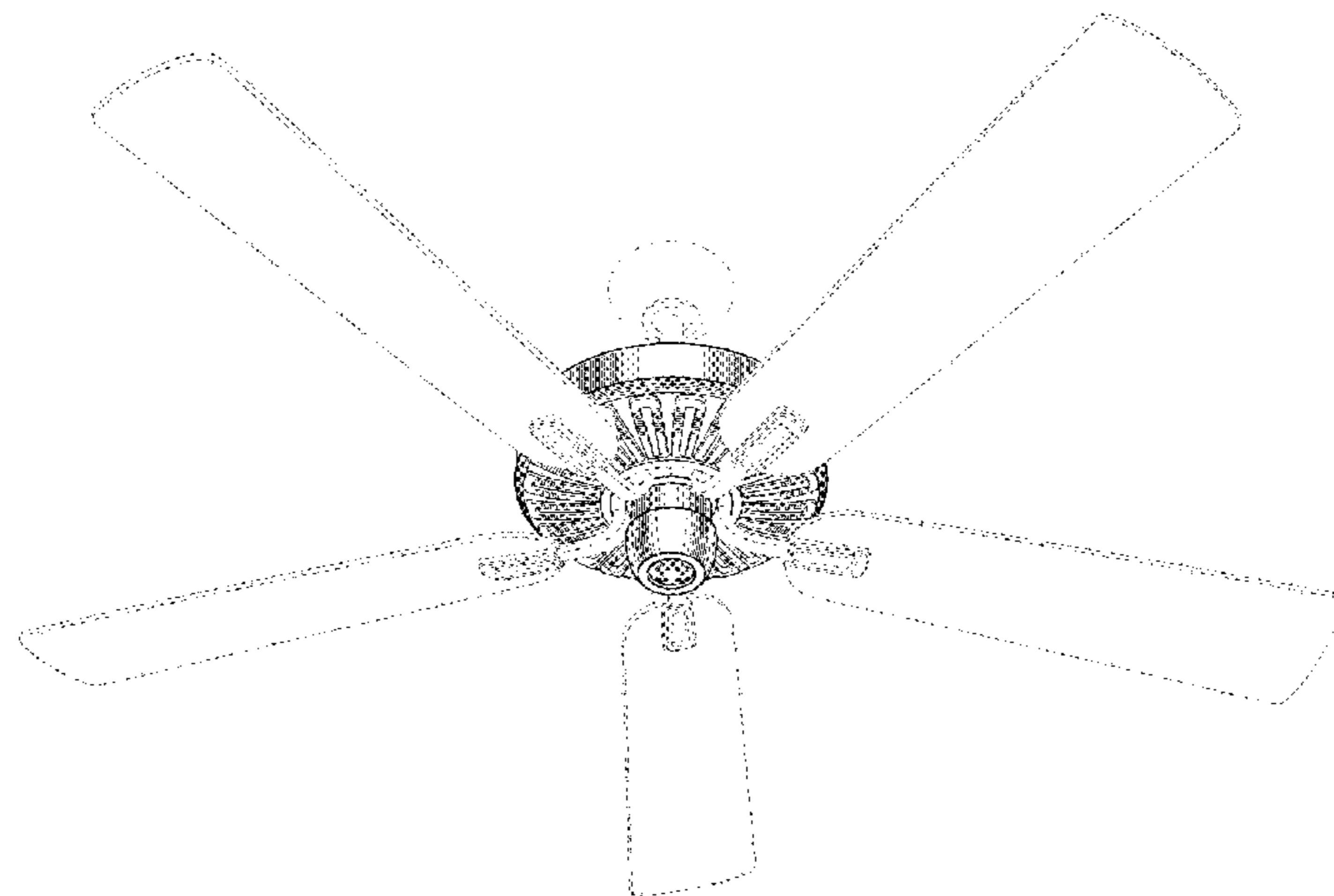
FIG. 1 is a perspective view of a ceiling fan housing with light fixture in accordance with my design;  
FIG. 2 is a top plan view of the ceiling fan housing with light fixture in accordance with my design;  
FIG. 3 is a bottom plan view of the ceiling fan housing with light fixture in accordance with my design;  
FIG. 4 is a front elevation view of the ceiling fan housing with light fixture in accordance with my design;  
FIG. 5 is a rear elevation view of the ceiling fan housing with light fixture in accordance with my design;  
FIG. 6 is a left side elevation view of the ceiling fan housing with light fixture in accordance with my design; and,  
FIG. 7 is a right side elevation view of the ceiling fan housing with light fixture in accordance with my design.  
The broken-line disclosure of elements is understood to represent portions of the article in which the design is embodied, but which form no part of the claimed design.

(56) **References Cited**

**U.S. PATENT DOCUMENTS**

D270,563 S 9/1983 Phillips  
4,518,314 A 5/1985 Schultz

**1 Claim, 4 Drawing Sheets**



(56)

**References Cited**

U.S. PATENT DOCUMENTS

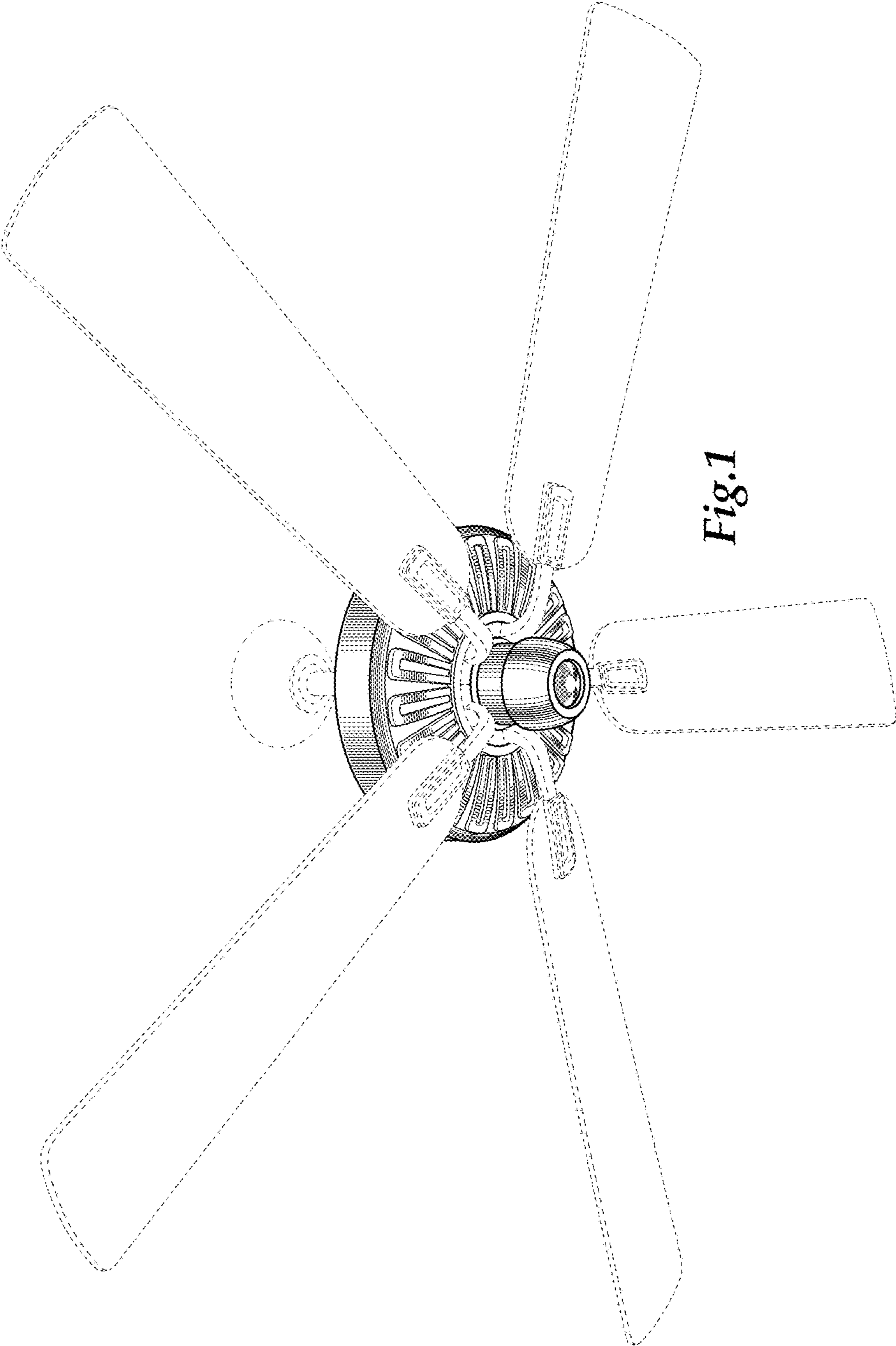
5,110,261 A 5/1992 Junkin  
 D326,905 S 6/1992 Scofield  
 D328,947 S 8/1992 Holbrook  
 D329,494 S 9/1992 Holbrook  
 D358,877 S 5/1995 Tsuji  
 D363,345 S 10/1995 Wang  
 5,462,412 A 10/1995 Scofield et al.  
 D367,321 S 2/1996 Holbrook  
 D369,405 S 4/1996 Holbrook  
 D374,925 S 10/1996 Jaspers-Fayer  
 D393,711 S 4/1998 Gee, II et al.  
 D395,497 S 6/1998 Zuege  
 D408,517 S 4/1999 LaSpina  
 D409,302 S 5/1999 Zuege  
 D411,295 S 6/1999 Evans  
 6,036,154 A 3/2000 Pearce  
 D425,191 S 5/2000 LaSpina  
 D428,482 S 7/2000 Lee  
 D438,946 S 3/2001 Williams  
 6,676,375 B2 1/2004 LeBlanc et al.  
 D510,428 S 10/2005 Hidalgo  
 D515,197 S 2/2006 Hidalgo  
 D521,623 S 5/2006 Hidalgo  
 D531,297 S 10/2006 Ertze  
 7,281,899 B1 10/2007 Bucher et al.  
 D572,815 S 7/2008 Hidalgo  
 D573,243 S 7/2008 Pan  
 D584,396 S 1/2009 Bucher et al.  
 D594,549 S 6/2009 Pan

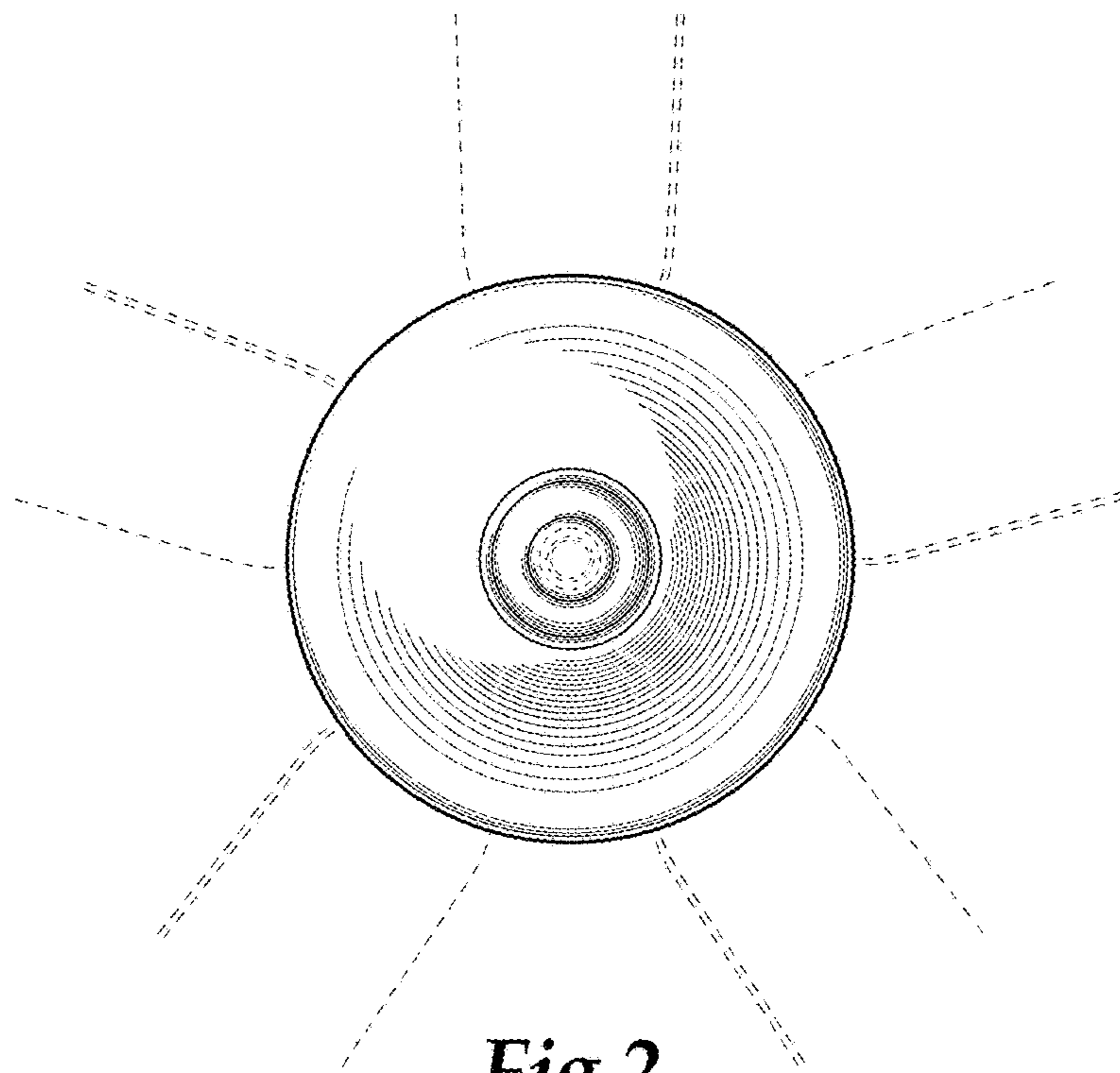
D599,469 S 9/2009 Yang  
 D600,339 S 9/2009 Searle  
 D629,962 S 12/2010 Choi et al.  
 D638,158 S 5/2011 Glasbrenner  
 D648,476 S 11/2011 Choi et al.  
 D648,477 S 11/2011 Kim et al.  
 D704,324 S 5/2014 Wang  
 D705,922 S 5/2014 Wang  
 D707,347 S 6/2014 Wang  
 D707,348 S 6/2014 Pan  
 D744,080 S 11/2015 Wang  
 D762,836 S 8/2016 Schulzman  
 D762,839 S 8/2016 Schulzman  
 D778,421 S \* 2/2017 Hidalgo ..... D23/377  
 D778,426 S \* 2/2017 Hidalgo ..... D23/411  
 D778,427 S \* 2/2017 Hidalgo ..... D23/411  
 D780,905 S \* 3/2017 Schulzman ..... D23/411  
 2009/0246028 A1 10/2009 Richardson  
 2011/0058947 A1 3/2011 Haynes  
 2011/0116946 A1 5/2011 Webb et al.  
 2015/0090858 A1 4/2015 Broughman et al.  
 2015/0240824 A1 8/2015 Jones et al.

OTHER PUBLICATIONS

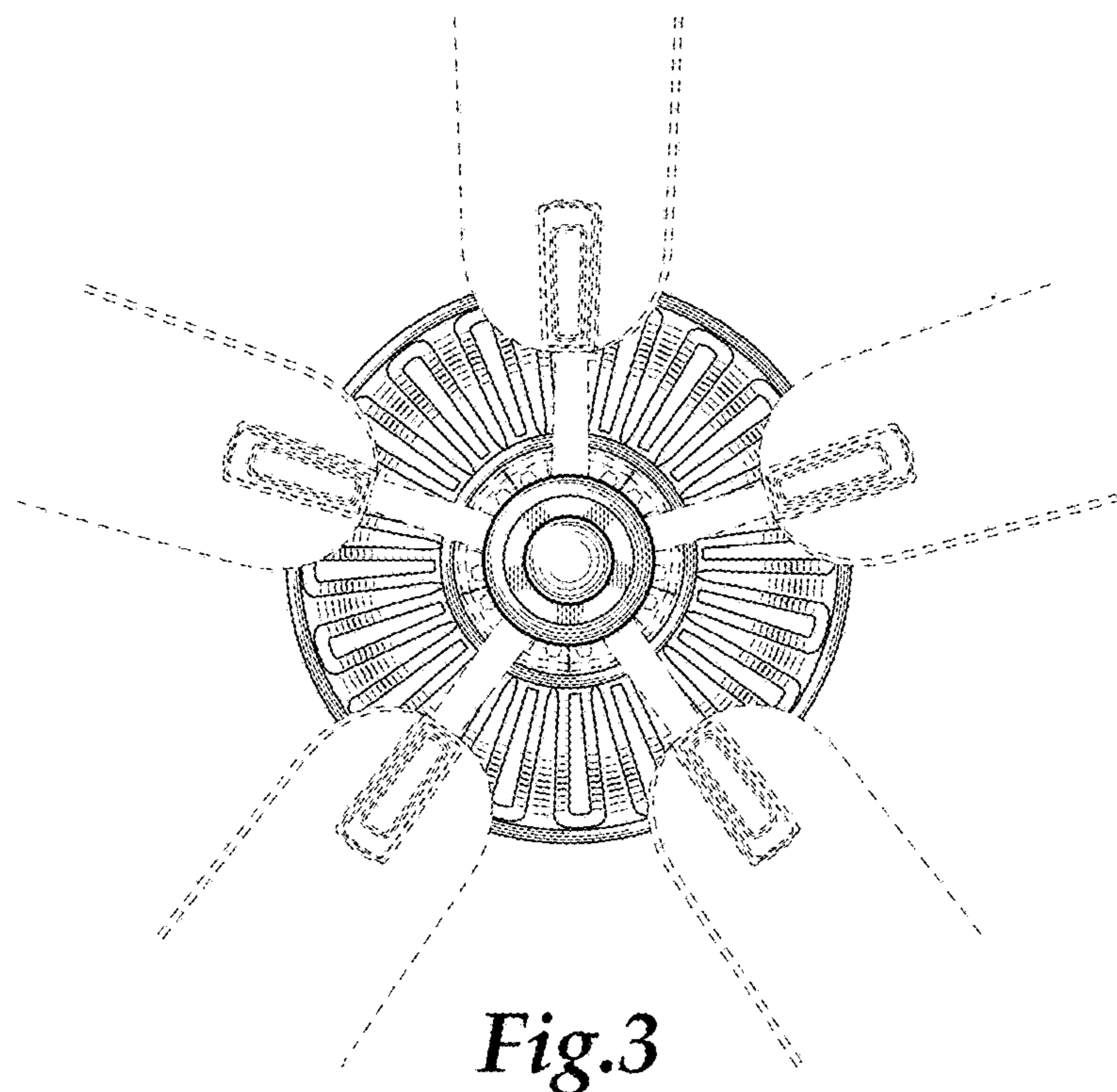
Rejuvenation Spring 2016 Catalog, Heron Model, pp. 46-47  
 [online] [retrieved on Oct. 26, 2016.] Retrieved from internet:  
[http://view.publitas.com/rejuvenation/rejuvenation-spring-2016-catalog/page/46-47?publitas\\_embed=maximized](http://view.publitas.com/rejuvenation/rejuvenation-spring-2016-catalog/page/46-47?publitas_embed=maximized).

\* cited by examiner





*Fig.2*



*Fig.3*

