



US00D818569S

(12) **United States Design Patent**
Farone et al.

(10) **Patent No.:** **US D818,569 S**

(45) **Date of Patent:** **** May 22, 2018**

(54) **HUMIDIFIER**

(71) Applicant: **Guardian Technologies LLC**, Euclid, OH (US)

(72) Inventors: **Richard C. Farone**, Willoughby, OH (US); **Cynthia Caffoe**, Aurora, OH (US)

(73) Assignee: **Guardian Technologies LLC**, Euclid, OH (US)

(**) Term: **15 Years**

(21) Appl. No.: **29/595,627**

(22) Filed: **Mar. 1, 2017**

(51) **LOC (11) Cl.** **23-04**

(52) **U.S. Cl.**
USPC **D23/356**

(58) **Field of Classification Search**
USPC D23/355, 356, 357-366, 352, 369, 332, D23/333, 335, 336, 342, 351, 367
CPC .. A61L 9/16; A61L 9/22; B01D 47/00; B01D 47/027; B01D 2221/02; B01D 2259/4508; B03C 3/155; B03C 3/368; F24F 3/16; F24F 13/20; F24F 13/28; F24F 2001/0096; F24F 3/1405; F24F 3/1603
See application file for complete search history.

(56) **References Cited**

U.S. PATENT DOCUMENTS

D513,797 S * 1/2006 Wang D23/356
D565,713 S * 4/2008 Gao D23/356

D672,858 S * 12/2012 Abbondanzio D23/366
D722,374 S * 2/2015 Lewis D23/332
D754,834 S * 4/2016 Mosell D23/366
D755,361 S * 5/2016 Osborn D23/366
D768,834 S * 10/2016 Schuller D23/366
D787,657 S * 5/2017 Farone D23/356
D794,170 S * 8/2017 Lopez D23/332
D797,270 S * 9/2017 McDonnell D23/356
D800,881 S * 10/2017 Wu D23/356
9,776,144 B1 * 10/2017 Lu F24F 6/12

* cited by examiner

Primary Examiner — Rosemary K Tarca

Assistant Examiner — Christy M Nemeth

(74) *Attorney, Agent, or Firm* — Calfee, Halter & Griswold LLP

(57) **CLAIM**

The ornamental design for a humidifier, as shown and described.

DESCRIPTION

FIG. 1 is a front perspective view of a humidifier of our new design;

FIG. 2 is a front elevational view thereof;

FIG. 3 is a right side elevational view thereof;

FIG. 4 is back elevational view thereof;

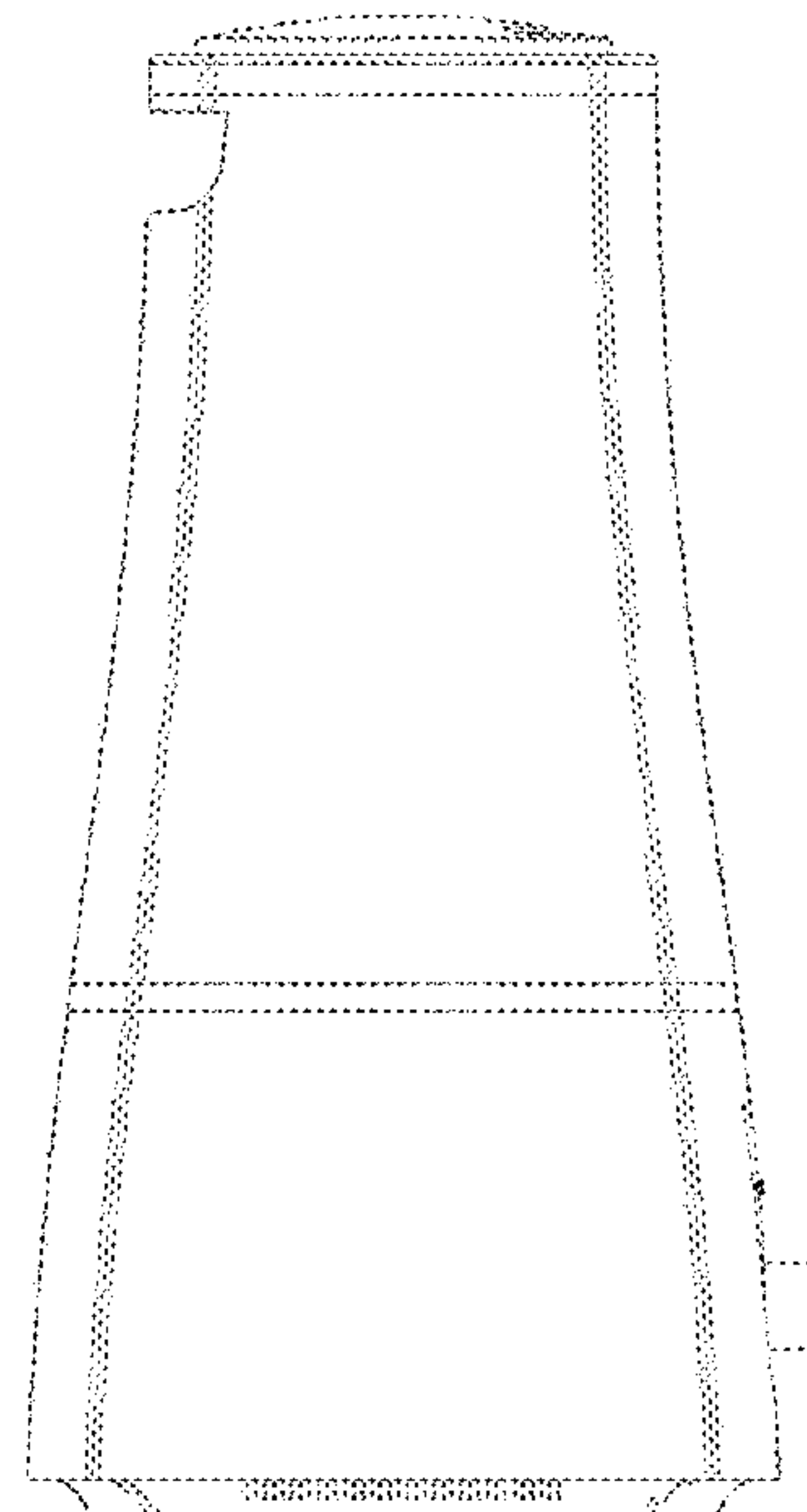
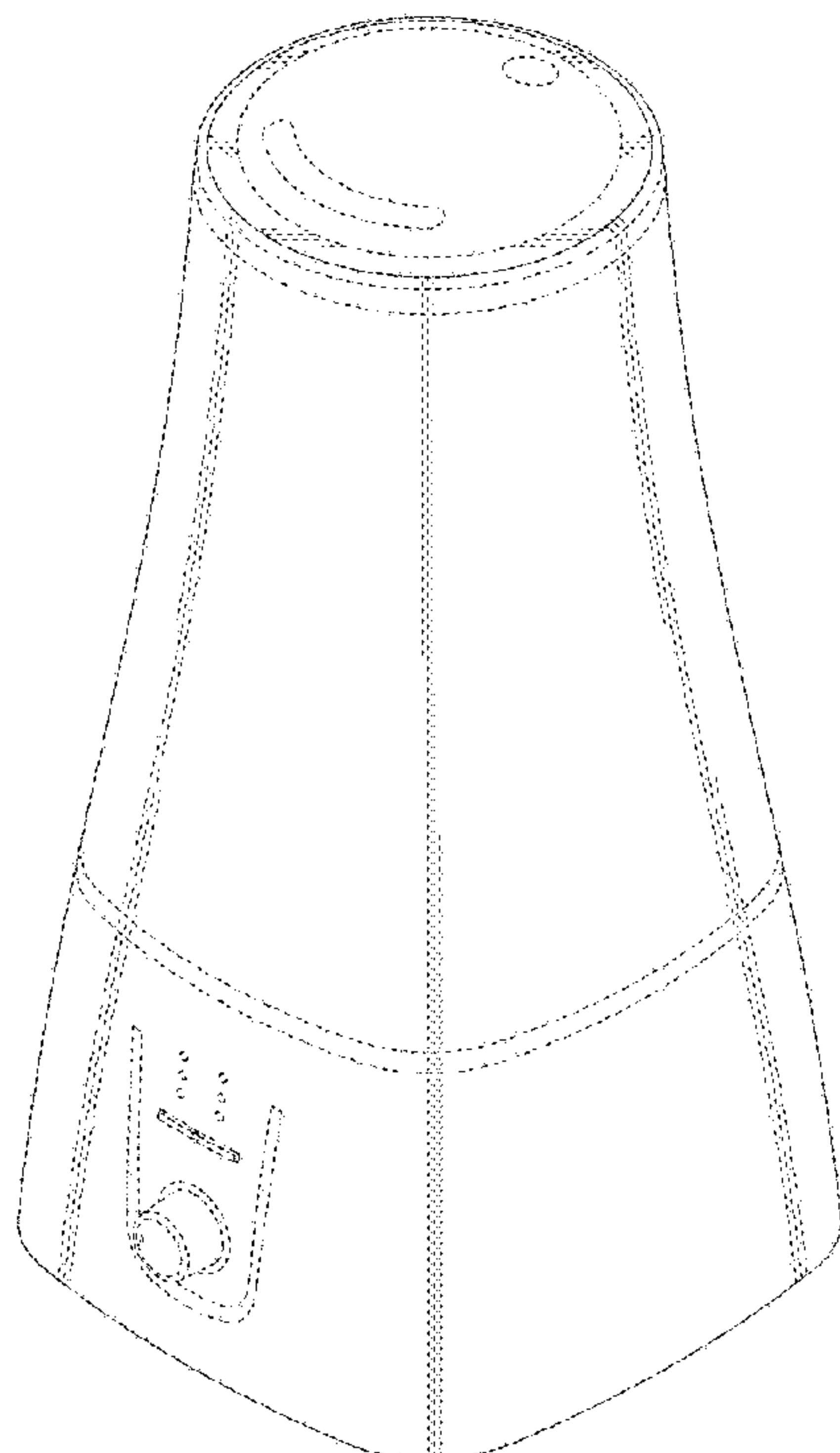
FIG. 5 is a left side elevational view thereof;

FIG. 6 is a top plan view thereof; and,

FIG. 7 is bottom view thereof.

The broken lines in the drawings are for the purpose of illustrating elements of the humidifier that form no part of the claimed design.

1 Claim, 4 Drawing Sheets



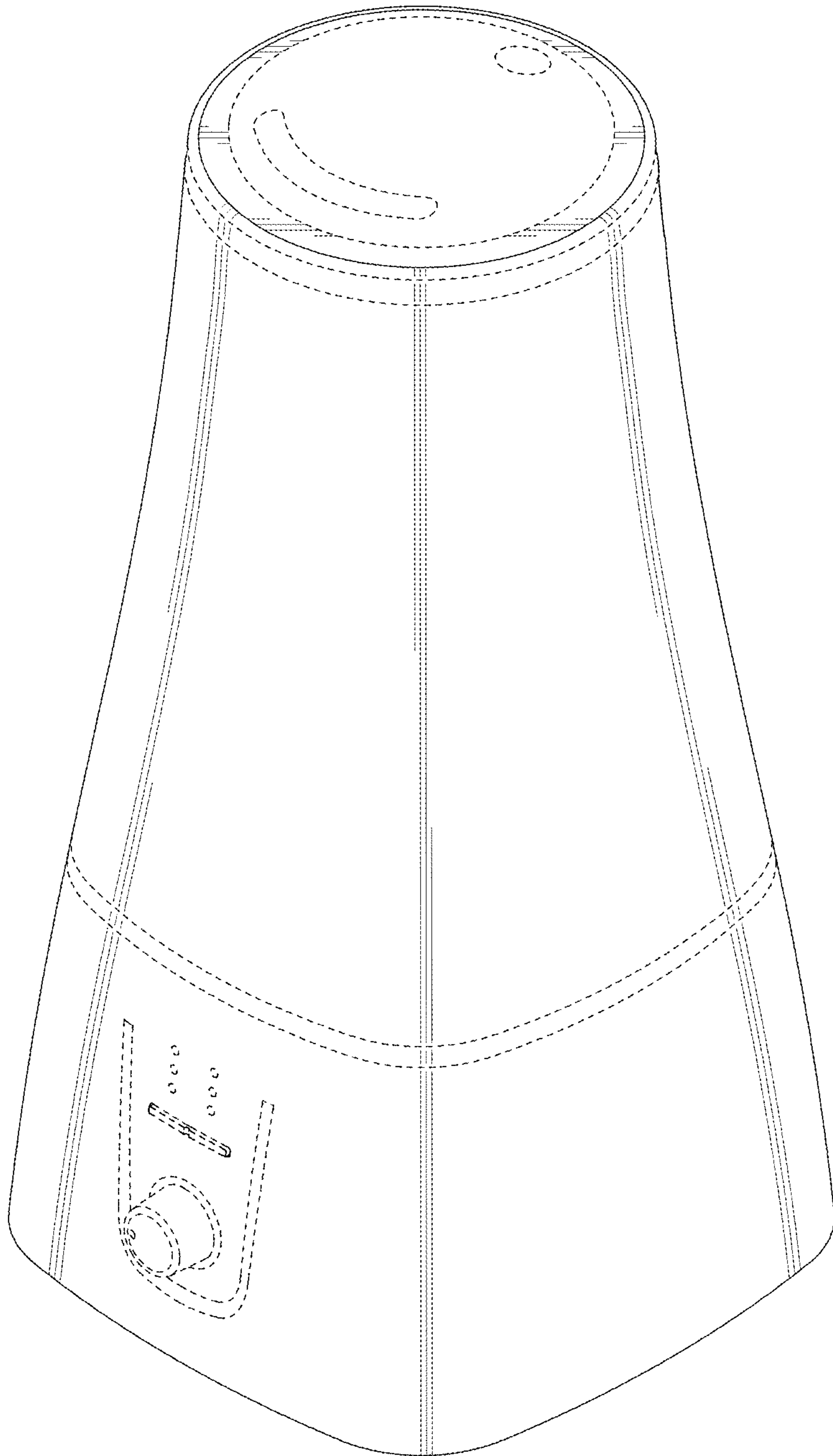


FIG. 1

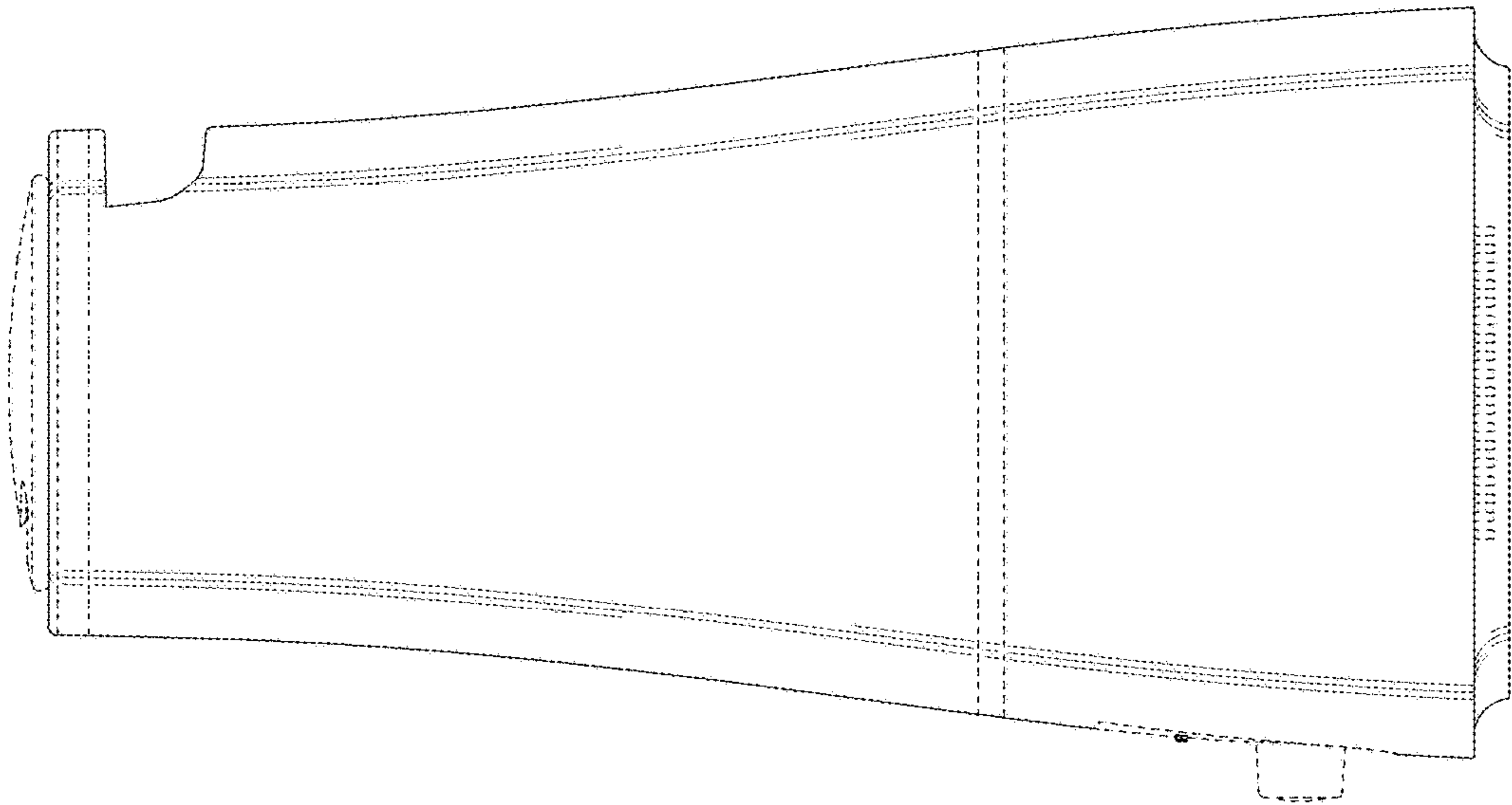


FIG. 3

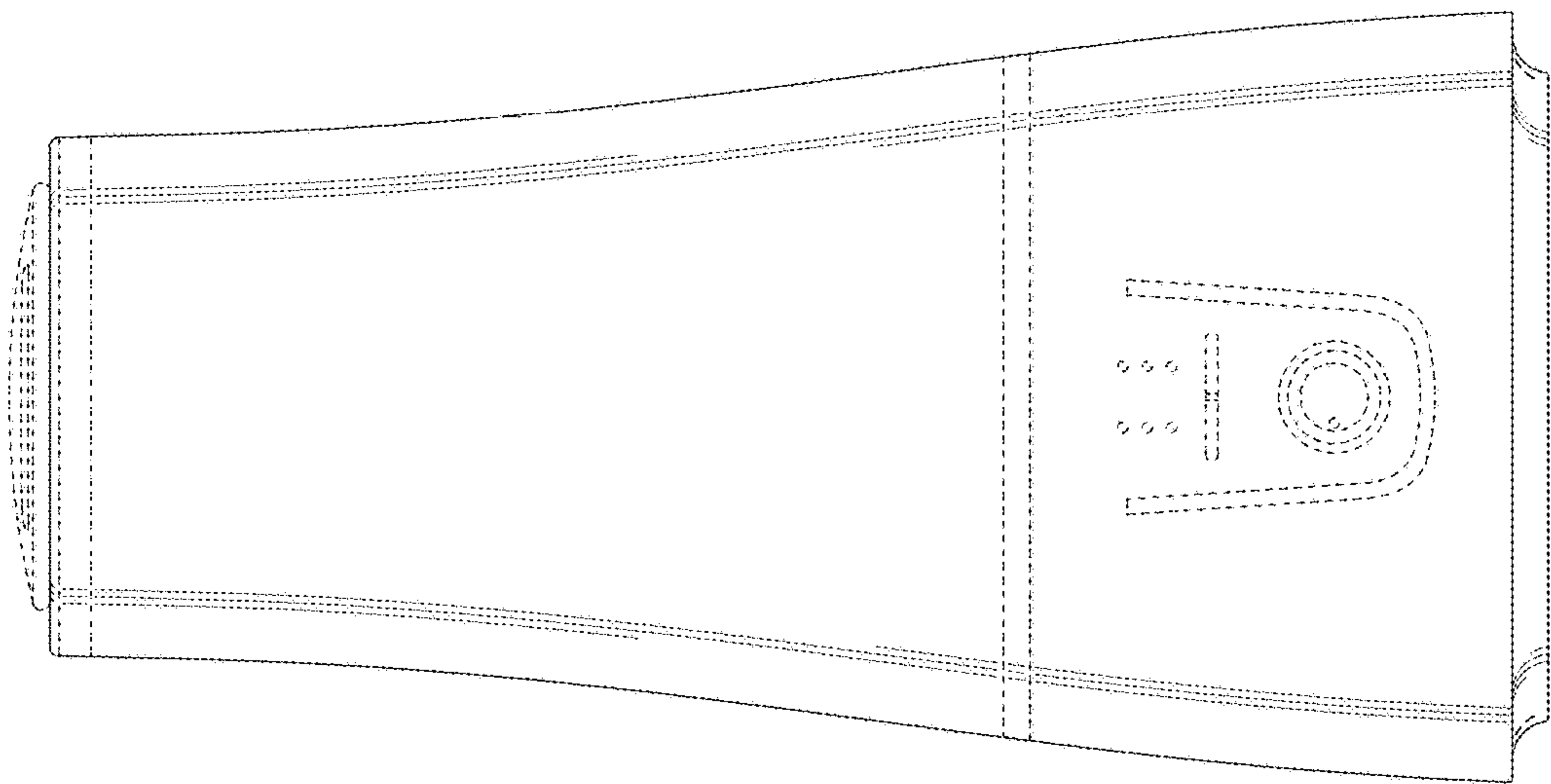


FIG. 2

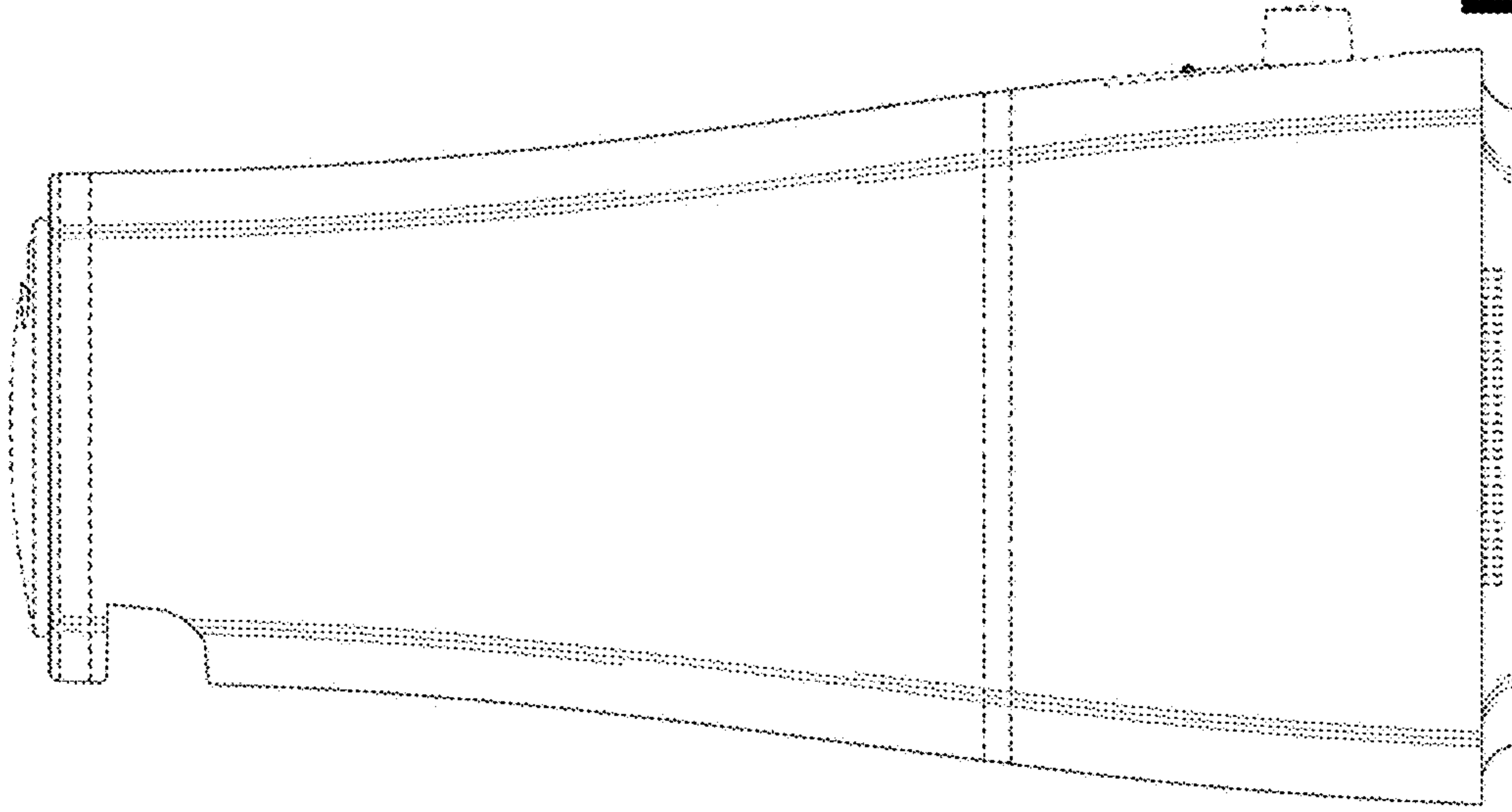


FIG. 5

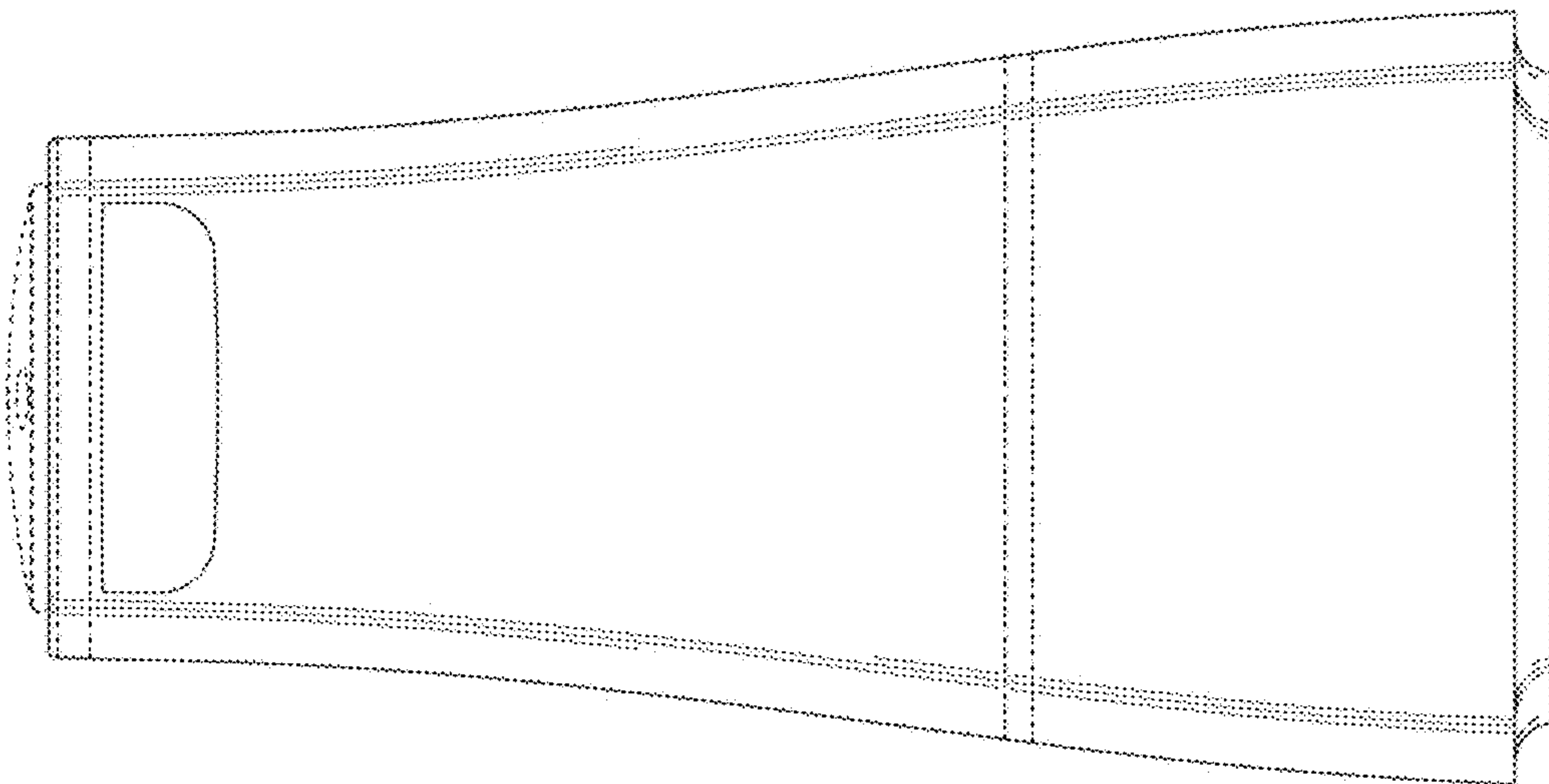


FIG. 4

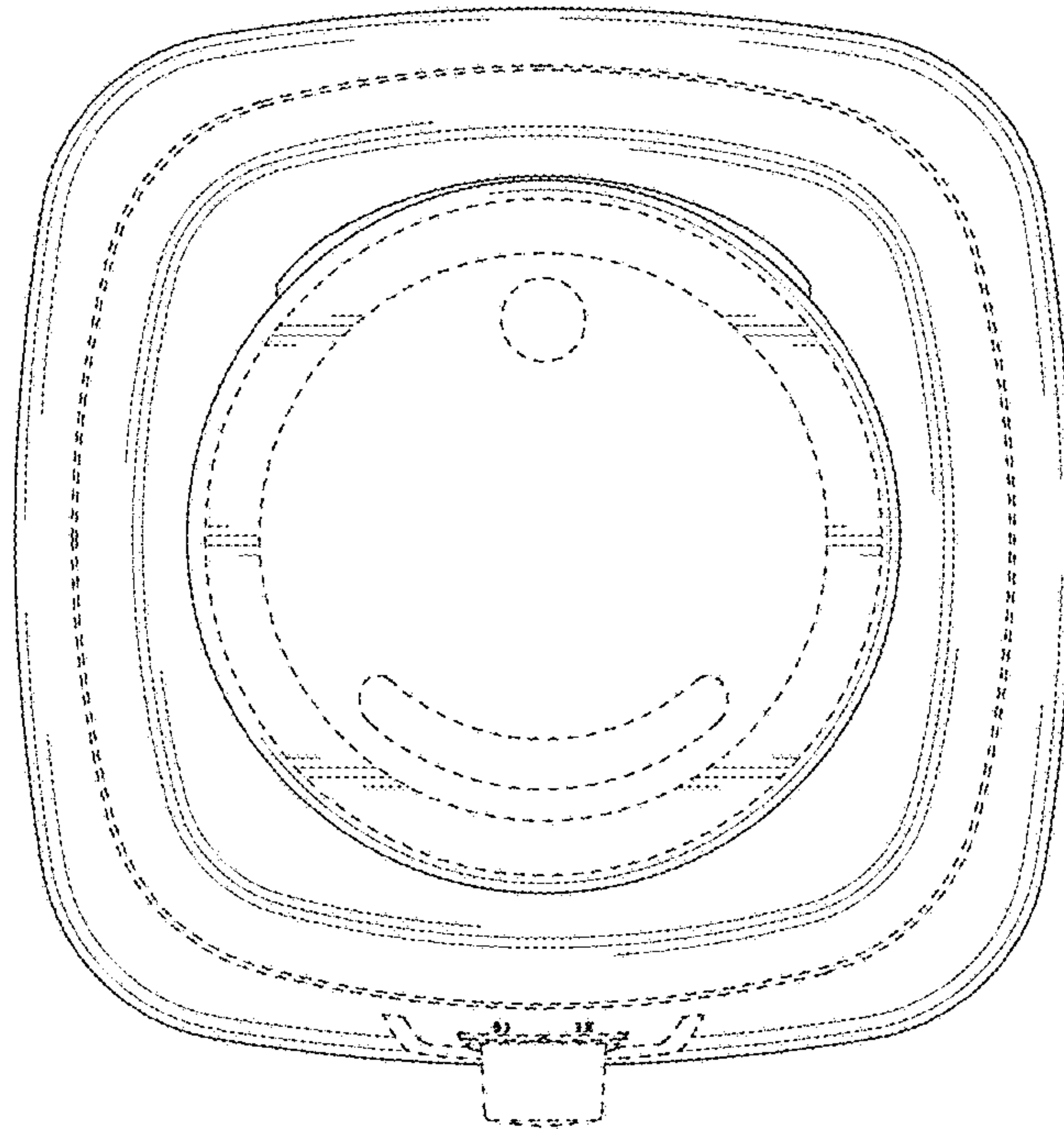


FIG. 6

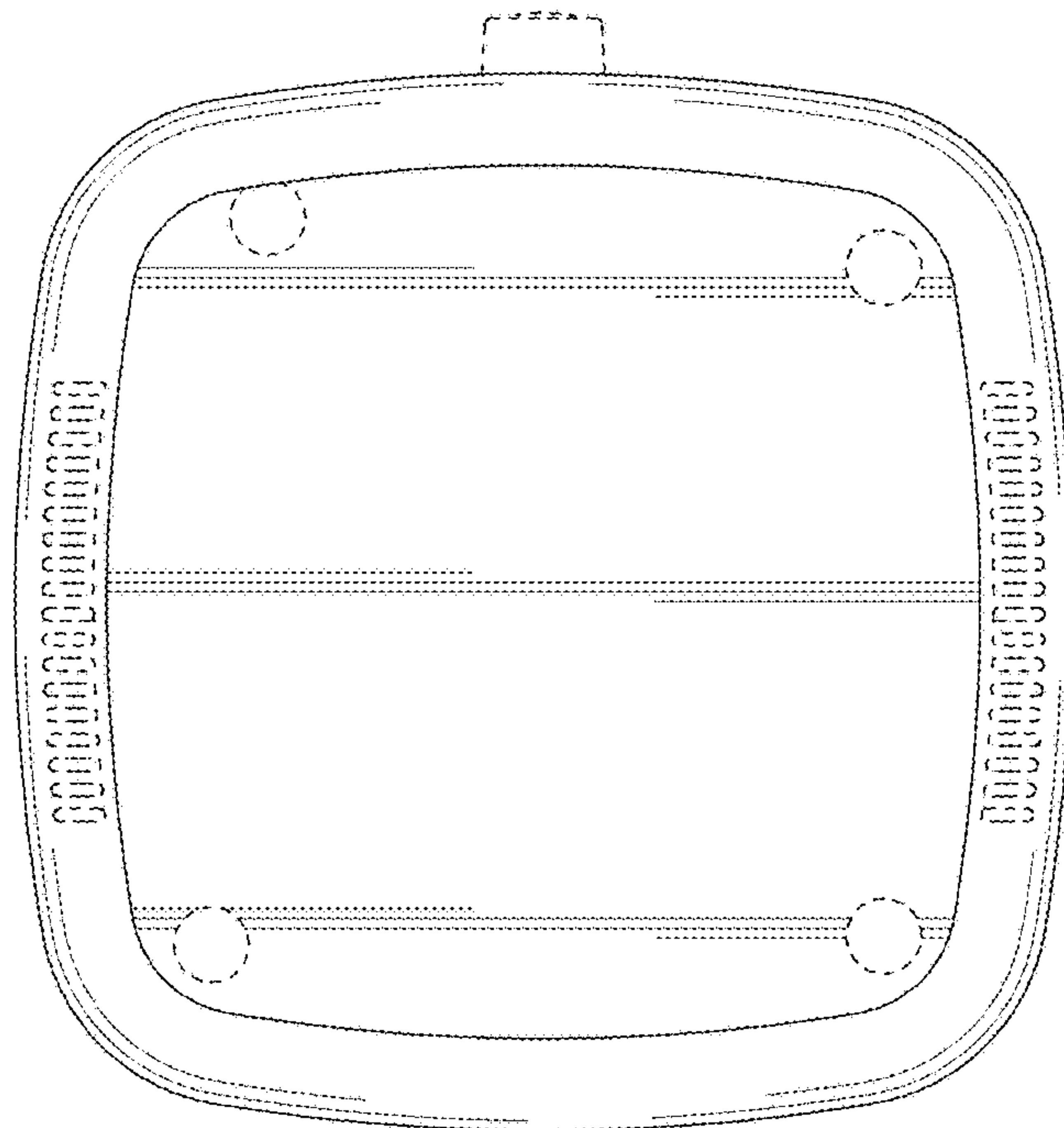


FIG. 7