



US00D818568S

(12) **United States Design Patent**  
**Ediger et al.**

(10) **Patent No.:** **US D818,568 S**

(45) **Date of Patent:** **\*\* May 22, 2018**

(54) **HEATER**

(71) Applicant: **Vornado Air LLC**, Andover, KS (US)

(72) Inventors: **Glen W. Ediger**, North Newton, KS (US); **Gary P. Israel**, Andover, KS (US); **Brian Cartwright**, Wichita, KS (US); **Regan Axtell**, Andover, KS (US)

(73) Assignee: **Vornado Air LLC**, Andover, KS (US)

(\*\*) Term: **15 Years**

(21) Appl. No.: **29/565,671**

(22) Filed: **May 23, 2016**

(51) **LOC (11) Cl.** ..... **23-03**

(52) **U.S. Cl.**  
USPC ..... **D23/335**

(58) **Field of Classification Search**  
USPC ..... D23/314, 317, 330, 332-333, 335-351,  
D23/354-356, 370, 376, 378, 381, 382,  
D23/386, 411, 412

CPC ... F24H 3/00; F24H 3/02; F24H 3/002; F24H  
3/0411; F24H 3/0417; F24H 3/08; F24H  
3/081; F24H 3/10; F24H 3/102; F24H  
7/00; F24H 7/002; F24H 7/0208; F24H  
7/0216; F24H 9/02; F24D 13/00  
See application file for complete search history.

(56) **References Cited**

**U.S. PATENT DOCUMENTS**

D398,983 S \* 9/1998 Keller ..... D23/381  
D402,742 S \* 12/1998 Chen ..... D23/332

D418,591 S \* 1/2000 Birdsell ..... D23/335  
D426,876 S \* 6/2000 Rossman ..... D23/332  
D429,326 S \* 8/2000 Fok ..... D23/332  
D450,817 S \* 11/2001 Fritz ..... D23/332  
D597,196 S \* 7/2009 Ediger ..... D23/411  
D597,640 S \* 8/2009 Israel ..... D23/335  
D597,641 S \* 8/2009 Israel ..... D23/335  
D626,641 S \* 11/2010 Ediger ..... D23/335  
D636,858 S \* 4/2011 Ediger ..... D23/335  
D654,578 S \* 2/2012 Ediger ..... D23/342  
D685,079 S \* 6/2013 Herbst ..... D23/382  
D688,368 S \* 8/2013 Ediger ..... D23/382  
D761,944 S \* 7/2016 Ediger ..... D23/332  
D780,301 S \* 2/2017 Cartwright ..... D23/332

\* cited by examiner

*Primary Examiner* — Sheryl Lane

*Assistant Examiner* — Calvin E Vansant

(74) *Attorney, Agent, or Firm* — Milligan PC LLO

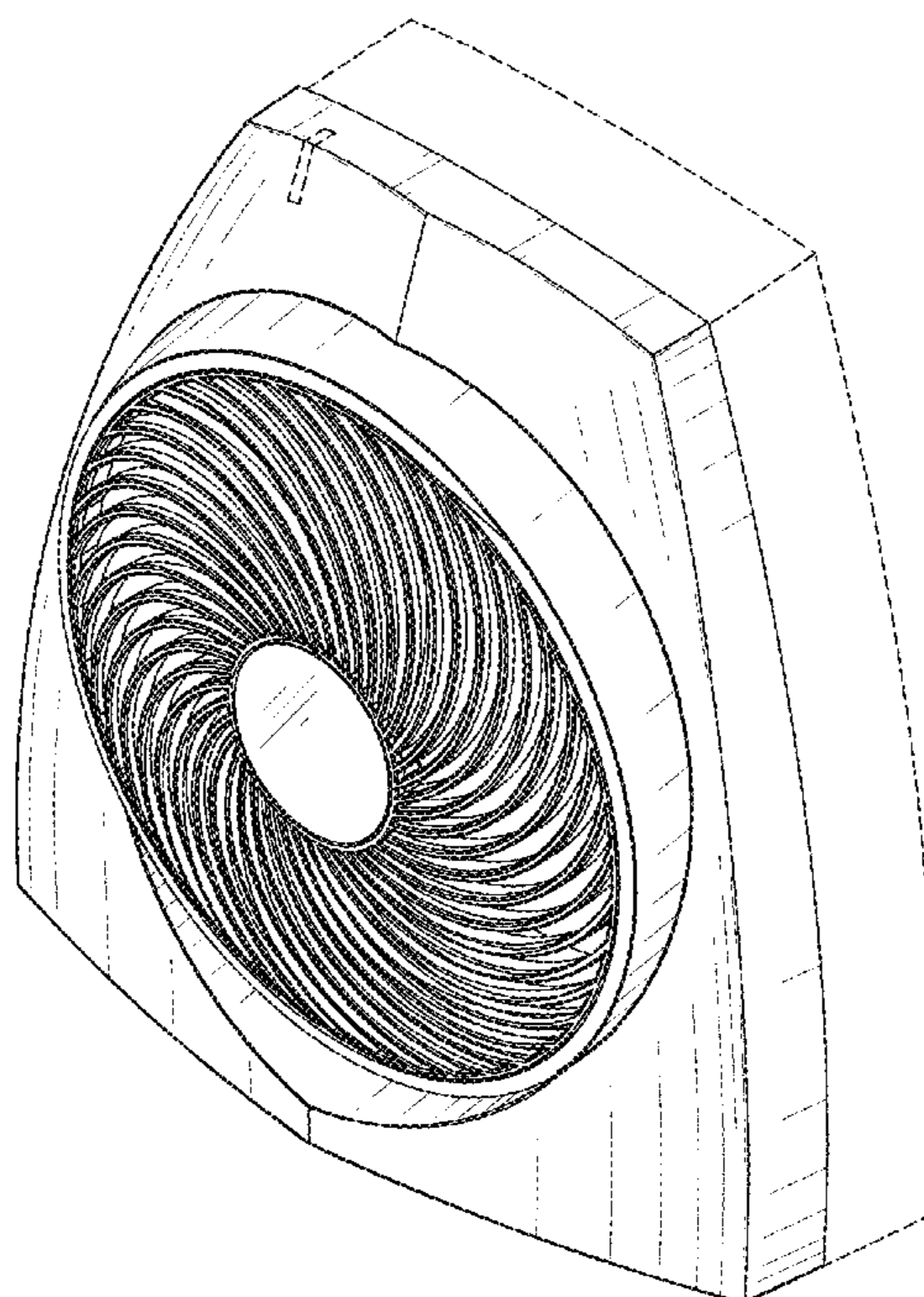
(57) **CLAIM**

The ornamental design for heater, as shown and described.

**DESCRIPTION**

FIG. 1 is a front, right, top perspective view of a heater;  
FIG. 2 is a front, left, top perspective view of the heater of  
FIG. 1; and,  
FIG. 3 is a front elevation view of the heater of FIG. 1.  
The broken lines represent portions of the structure that form  
no part of the claim.

**1 Claim, 3 Drawing Sheets**



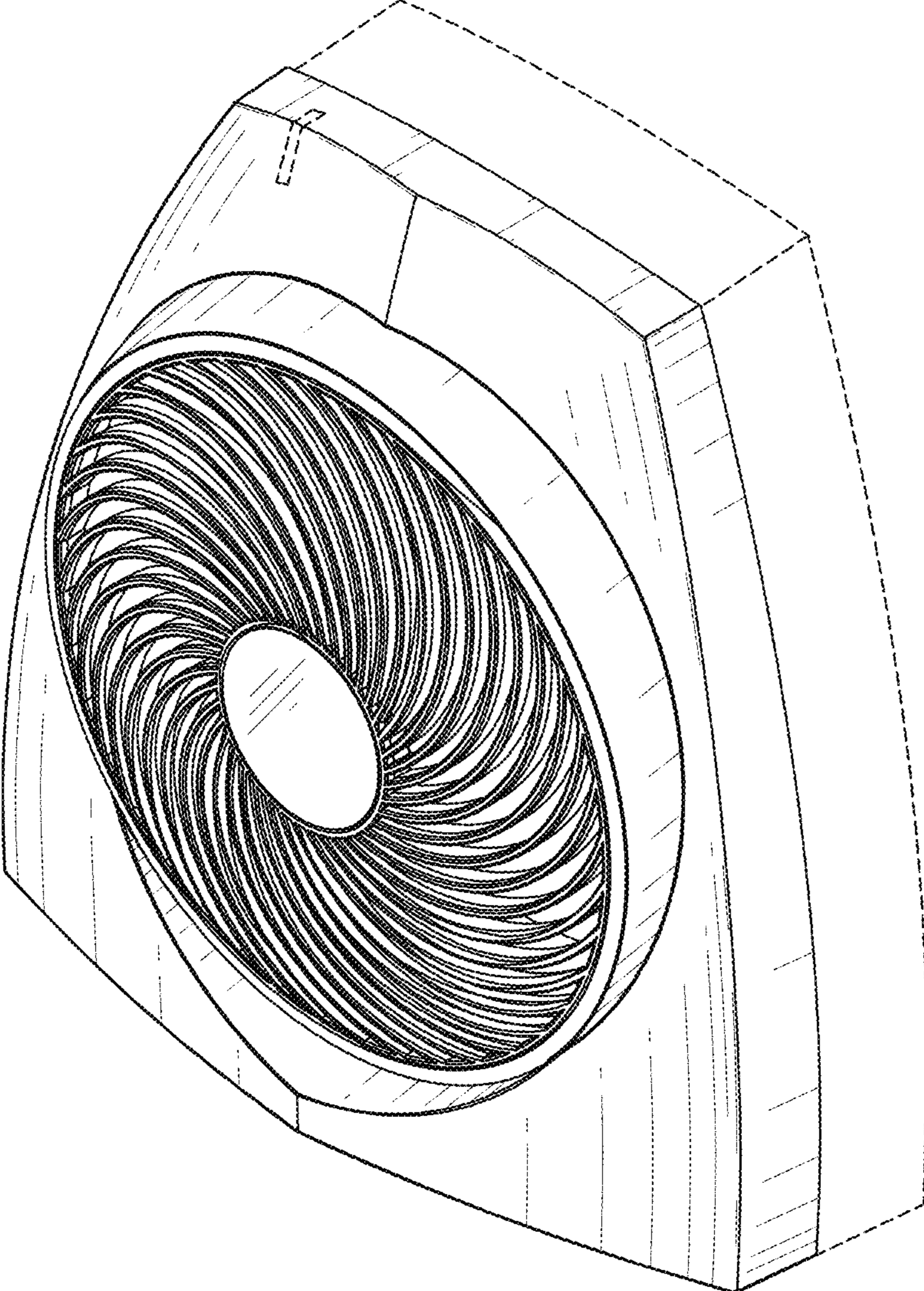


FIG. 1

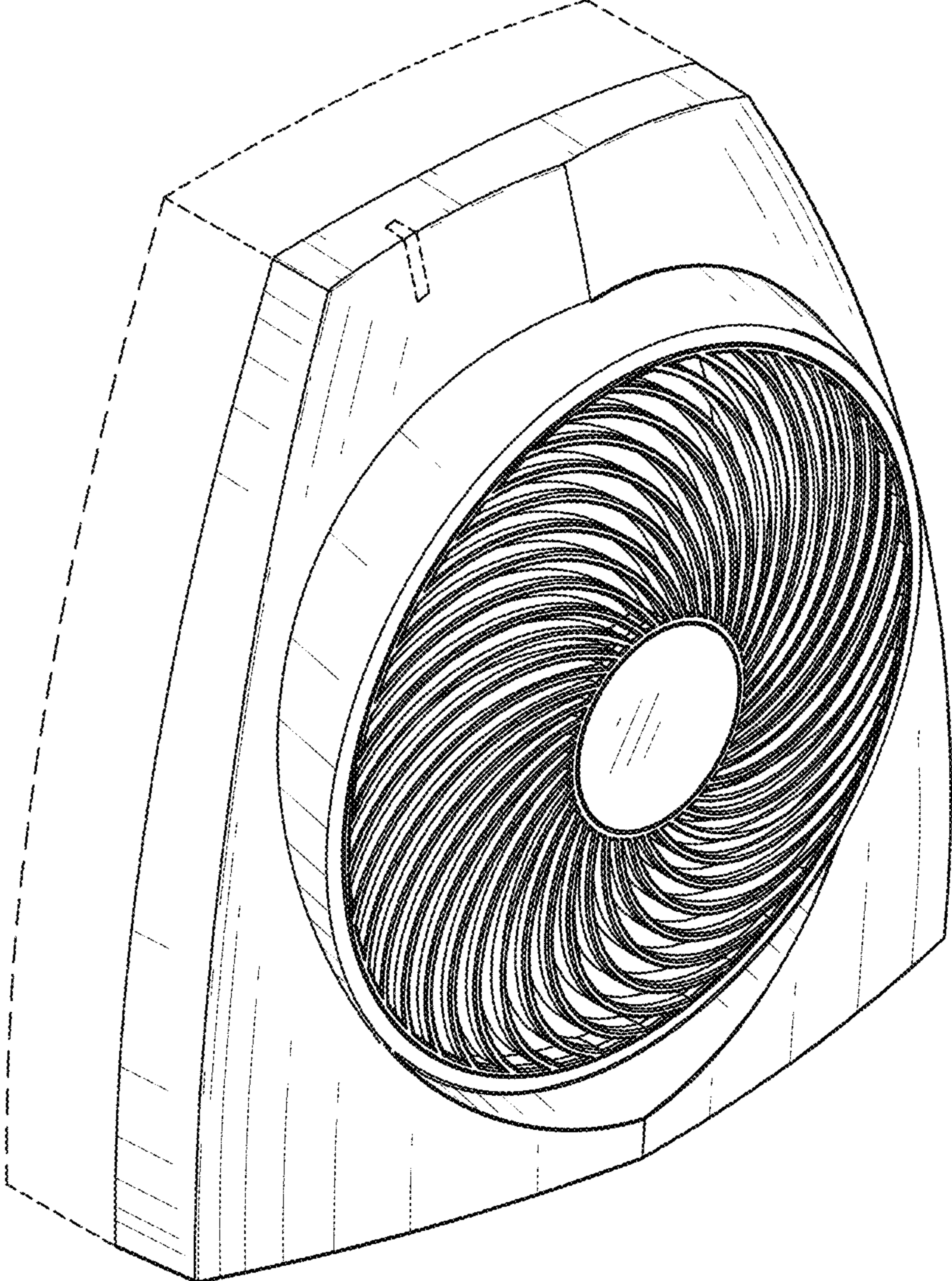


FIG. 2

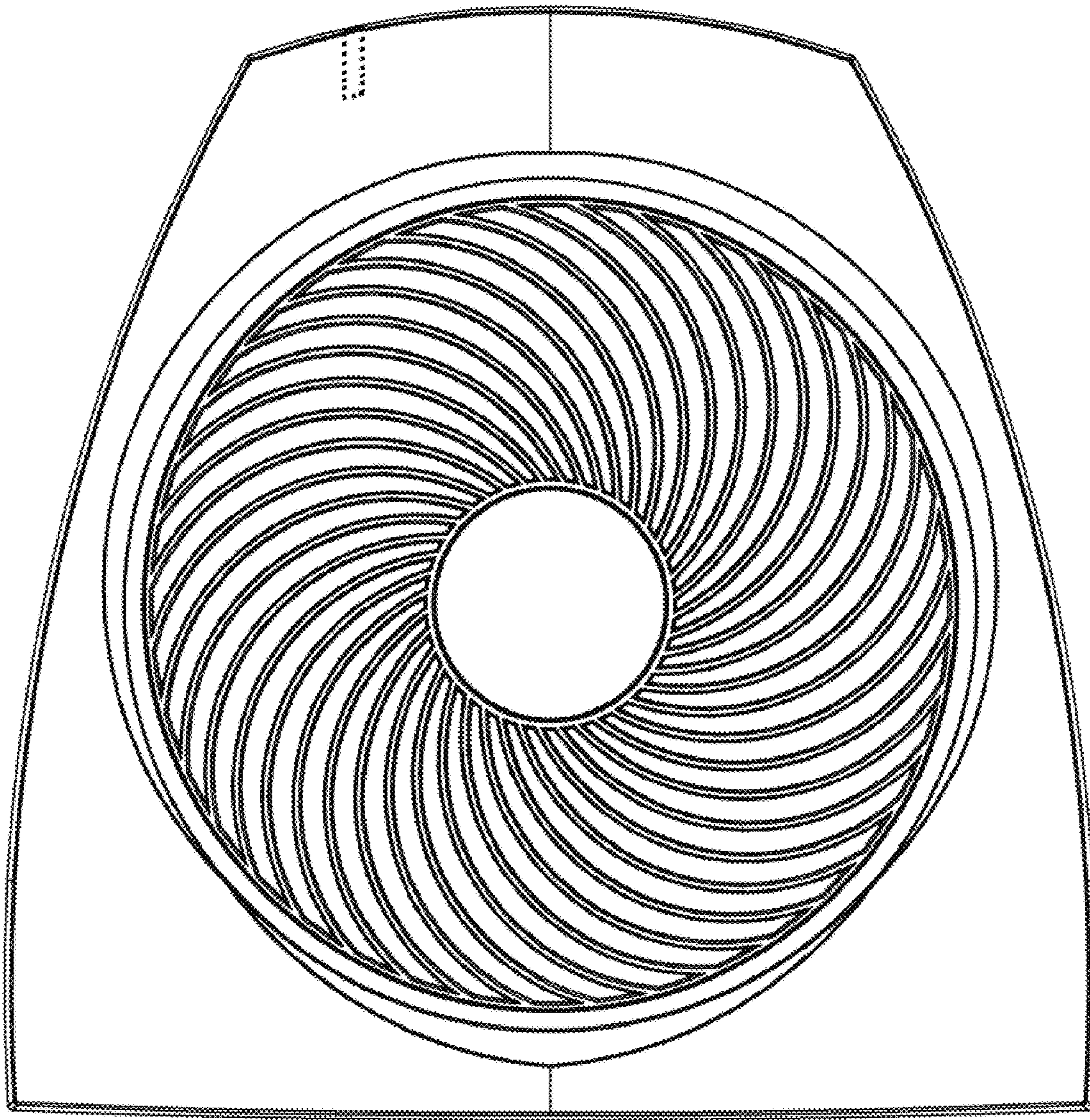


FIG. 3