



US00D818564S

(12) **United States Design Patent**
Garland

(10) **Patent No.:** **US D818,564 S**

(45) **Date of Patent:** **** May 22, 2018**

(54) **FAUCET SPOUT**

(71) Applicant: **DELTA FAUCET COMPANY,**
Indianapolis, IN (US)

(72) Inventor: **Celine Kwok Garland,** Zionsville, IN
(US)

(73) Assignee: **DELTA FAUCET COMPANY,**
Indianapolis, IN (US)

(**) Term: **15 Years**

(21) Appl. No.: **29/598,818**

(22) Filed: **Mar. 29, 2017**

(51) **LOC (11) Cl.** **23-01**

(52) **U.S. Cl.**
USPC **D23/255**

(58) **Field of Classification Search**
USPC D23/237, 238, 240–243, 249, 255, 257;
D6/524
CPC E03C 1/0401; E03C 1/04; E03C 1/0402;
E03C 1/0404; B25B 23/16; C02F 1/50;
A47K 5/14; Y10T 137/9464
See application file for complete search history.

(56) **References Cited**

U.S. PATENT DOCUMENTS

D528,640 S * 9/2006 Yoshioka D23/255
D582,525 S * 12/2008 Downey D23/255

D615,162 S * 5/2010 Pan D23/255
D635,651 S * 4/2011 Schoenherr D23/255
D640,353 S * 6/2011 Gao D23/255
D659,805 S * 5/2012 Flowers D23/255
D659,807 S * 5/2012 Flowers D23/255
D680,627 S * 4/2013 Lord D23/255
D713,016 S * 9/2014 Citterio D23/255
D721,793 S * 1/2015 McNinch D23/255
D796,009 S * 8/2017 Sieger D23/255
D800,273 S * 10/2017 Andrew D23/255

* cited by examiner

Primary Examiner — Robert M. Spear

Assistant Examiner — John A Voytek

(74) *Attorney, Agent, or Firm* — Edgar A. Zarins; Nirav
D. Parikh

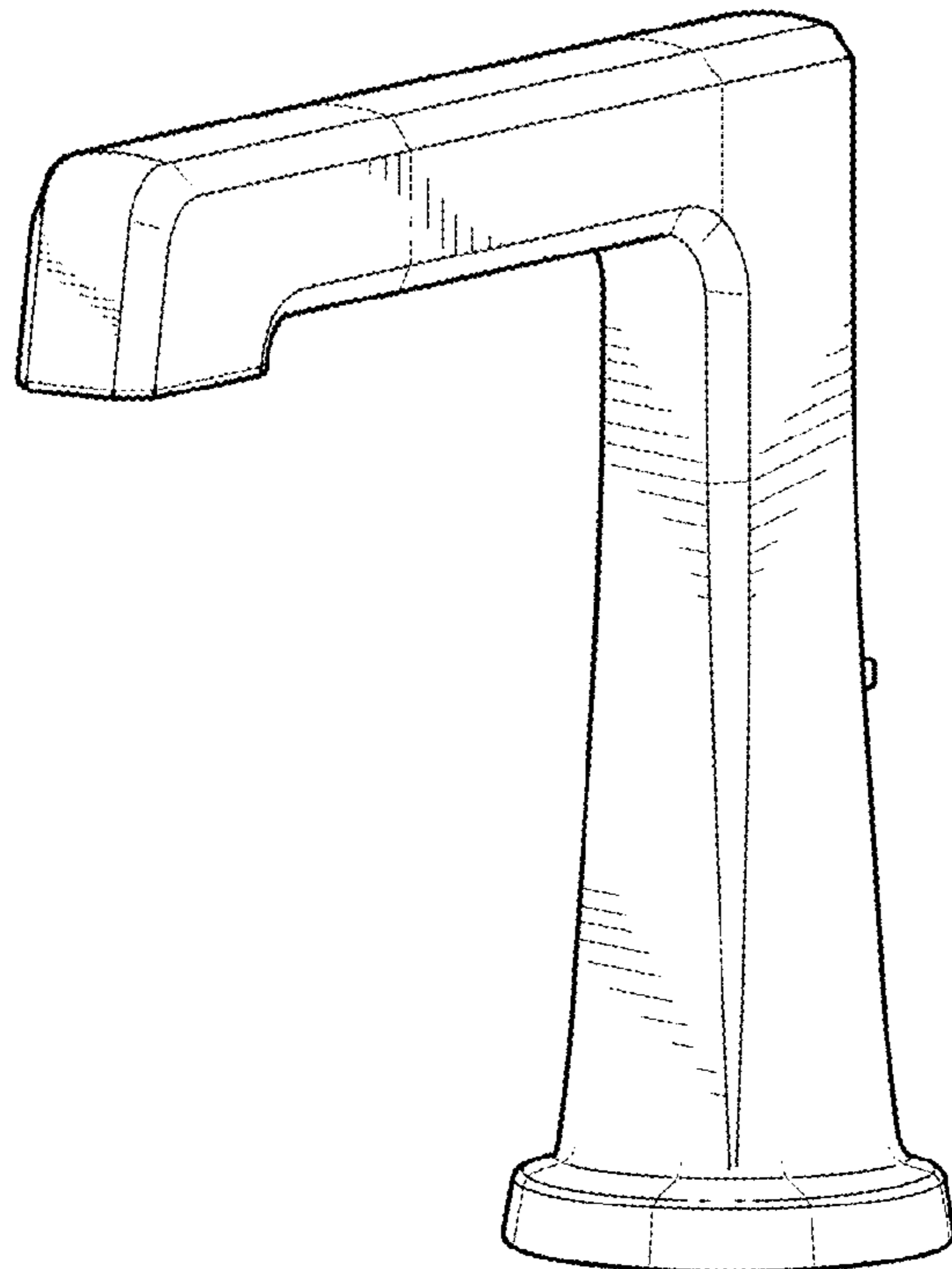
(57) **CLAIM**

The ornamental design for a faucet spout, as shown and
described.

DESCRIPTION

FIG. 1 is a front perspective view of a faucet spout showing
my new design;
FIG. 2 is a rear perspective view thereof;
FIG. 3 is a top plan view thereof;
FIG. 4 is a left side view thereof;
FIG. 5 is a front elevational view thereof;
FIG. 6 is a rear view thereof;
FIG. 7 is a right side view thereof; and,
FIG. 8 is a bottom view thereof.

1 Claim, 3 Drawing Sheets



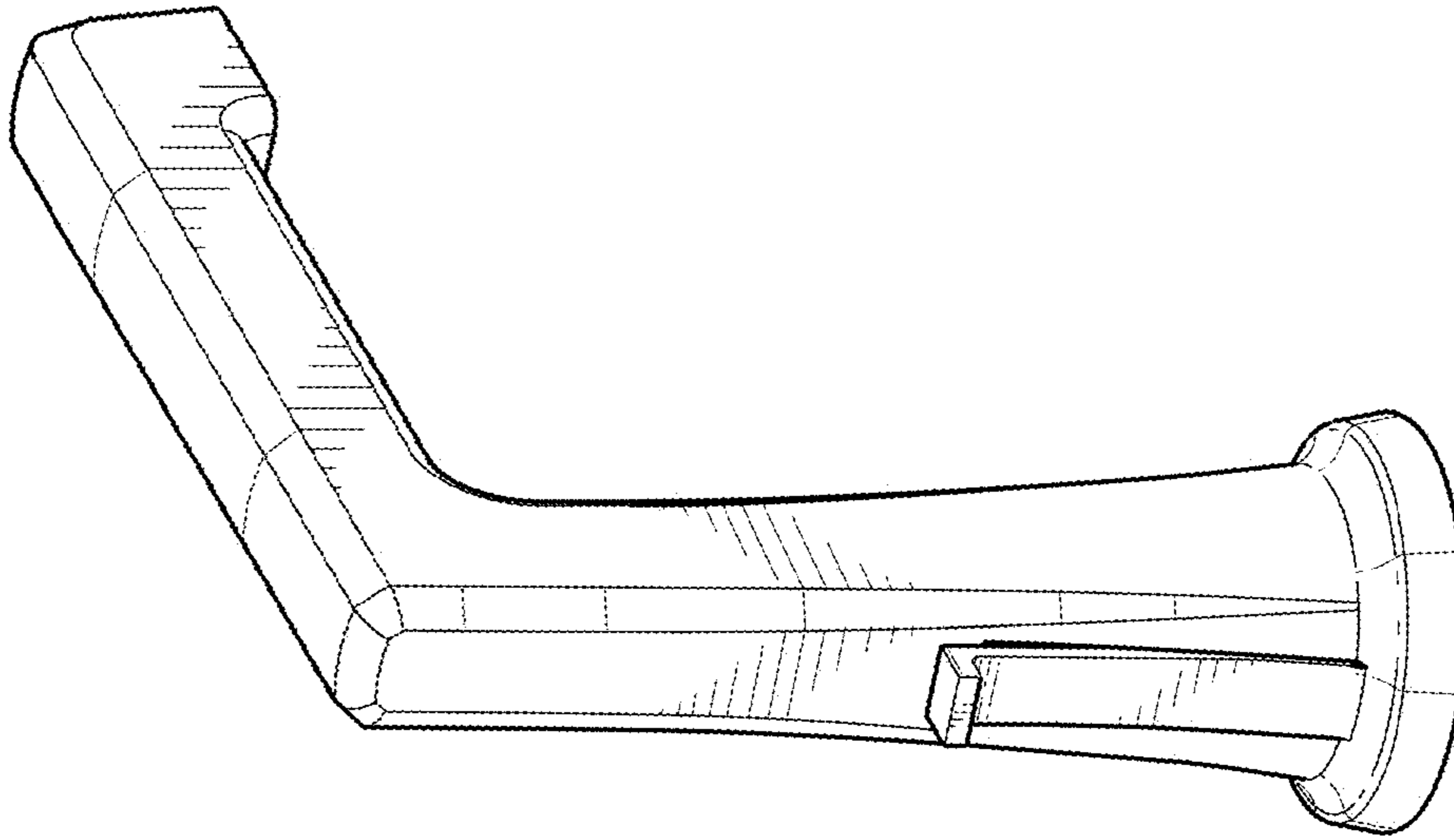


Fig-2

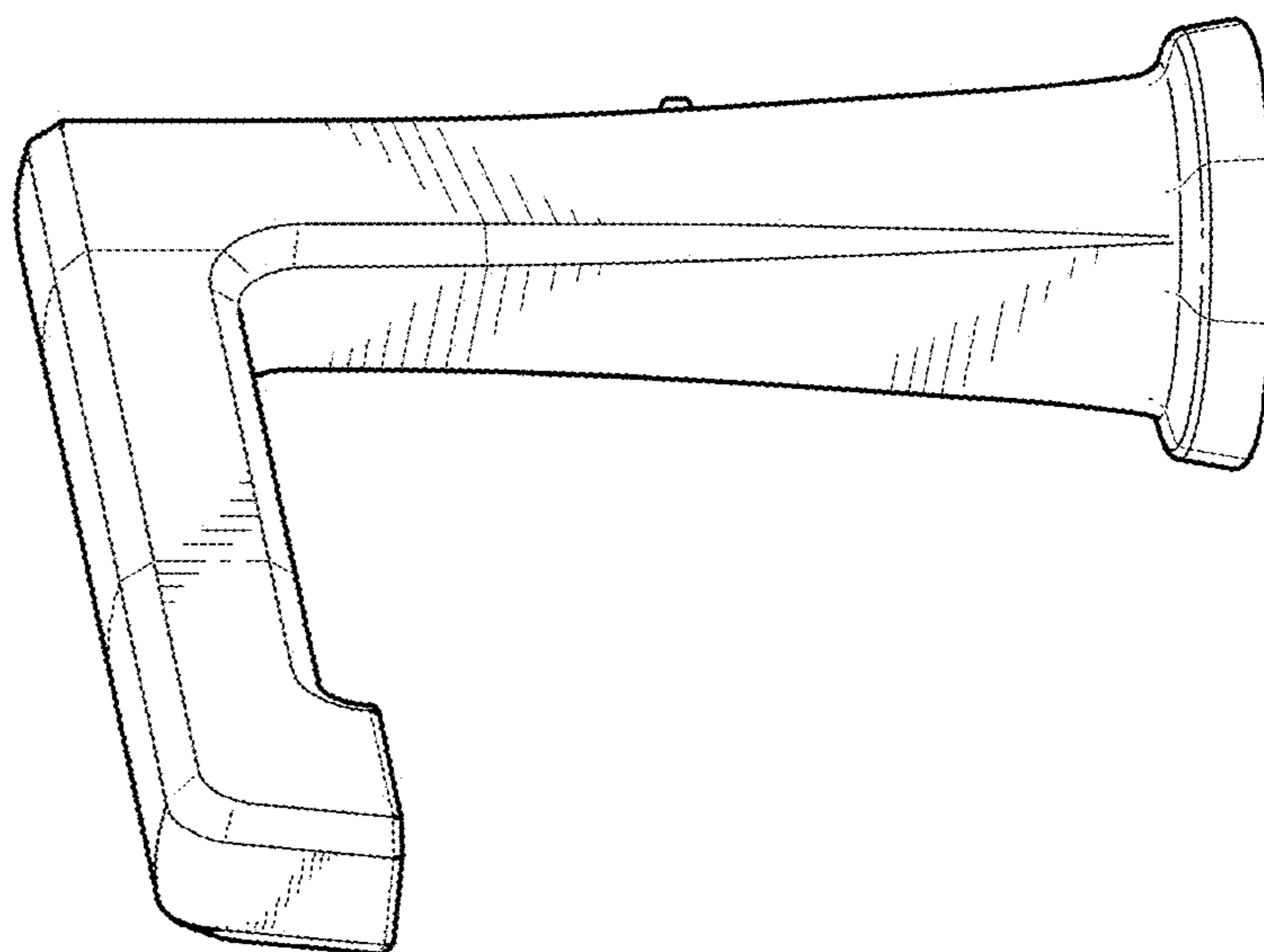


Fig-1

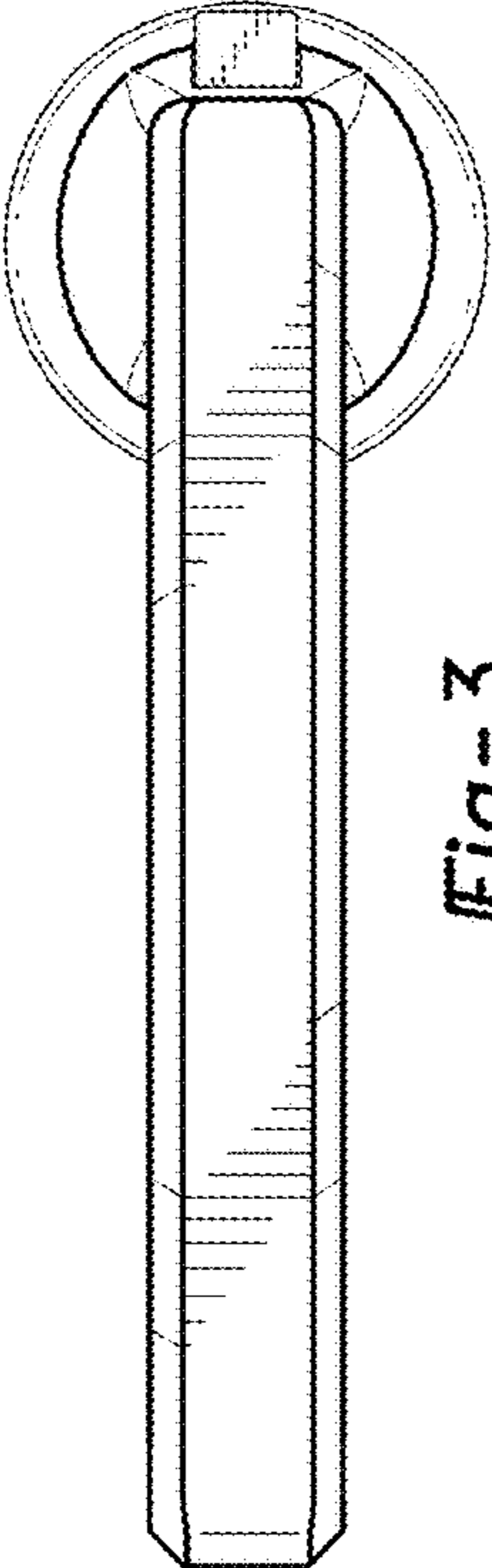


Fig-3

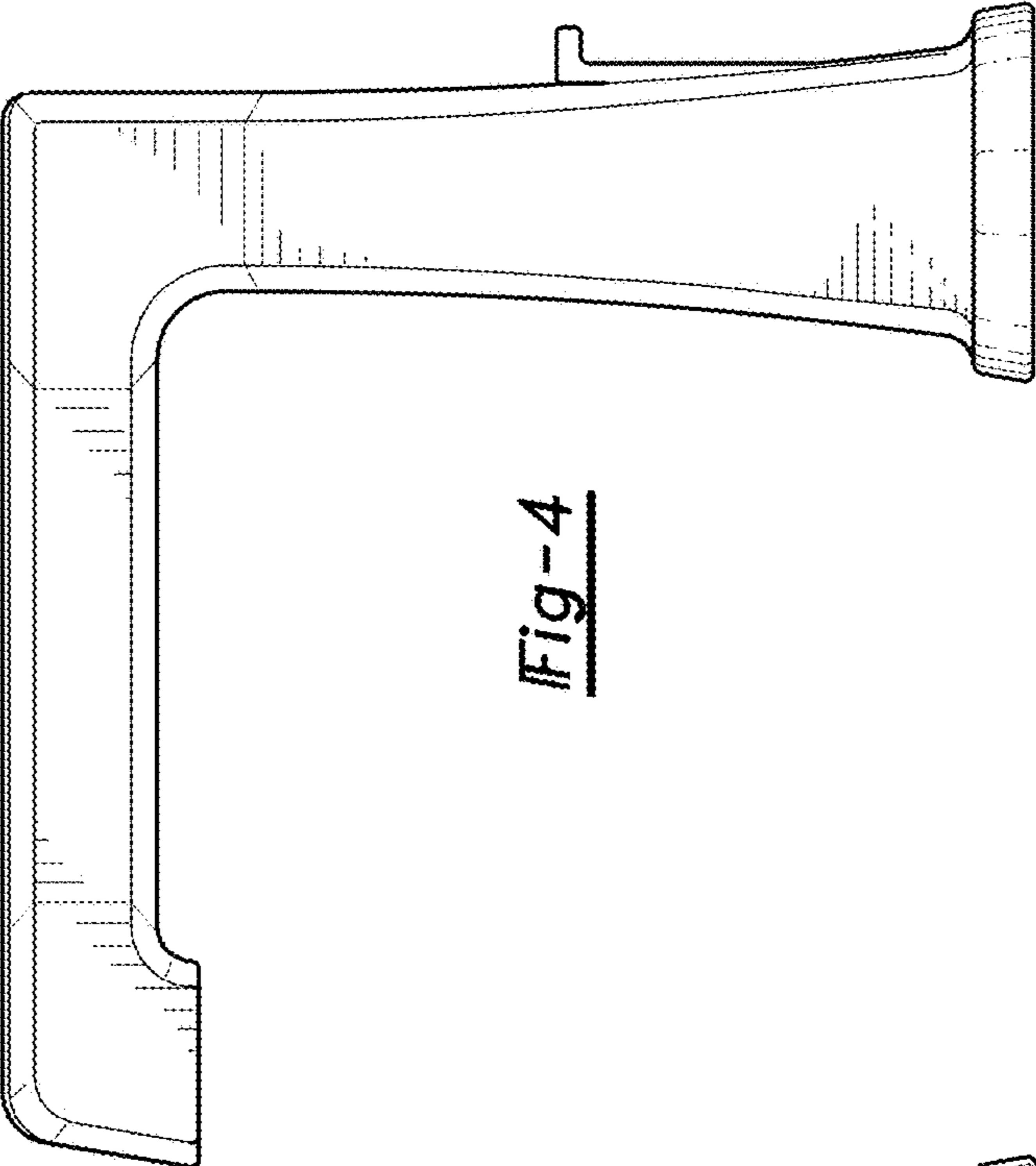


Fig-4

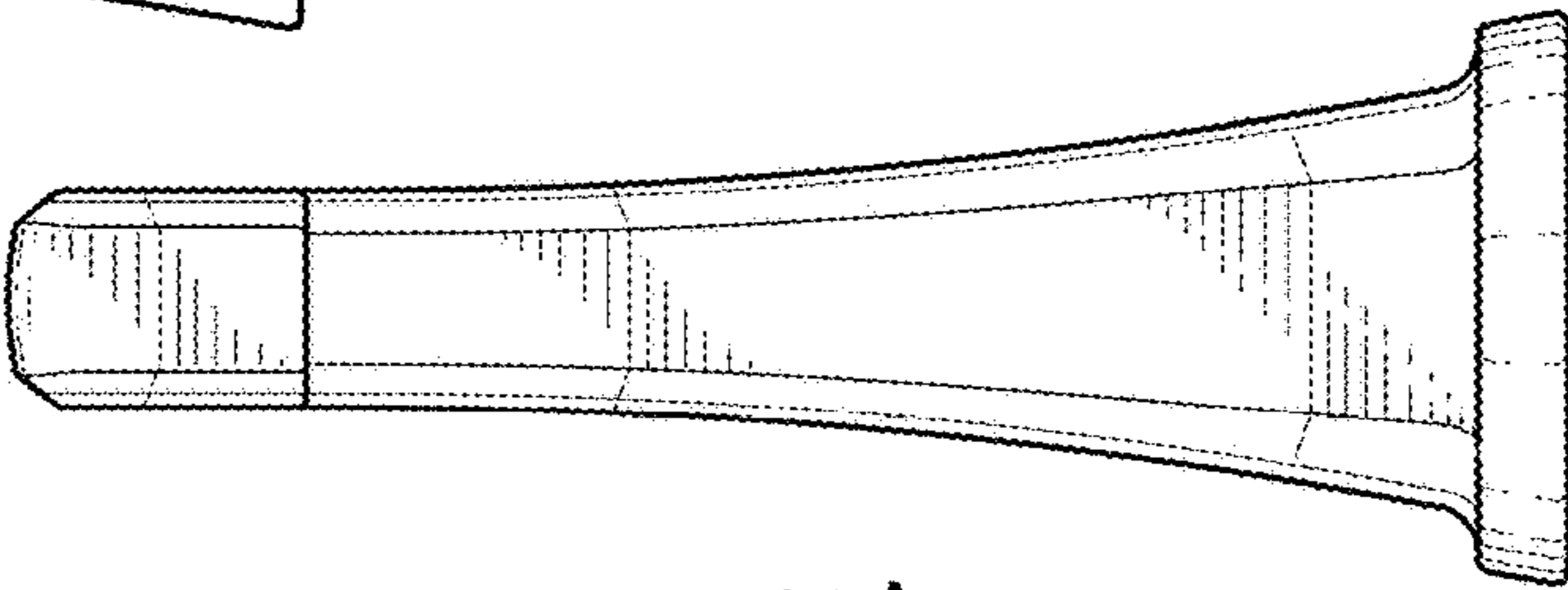


Fig-5

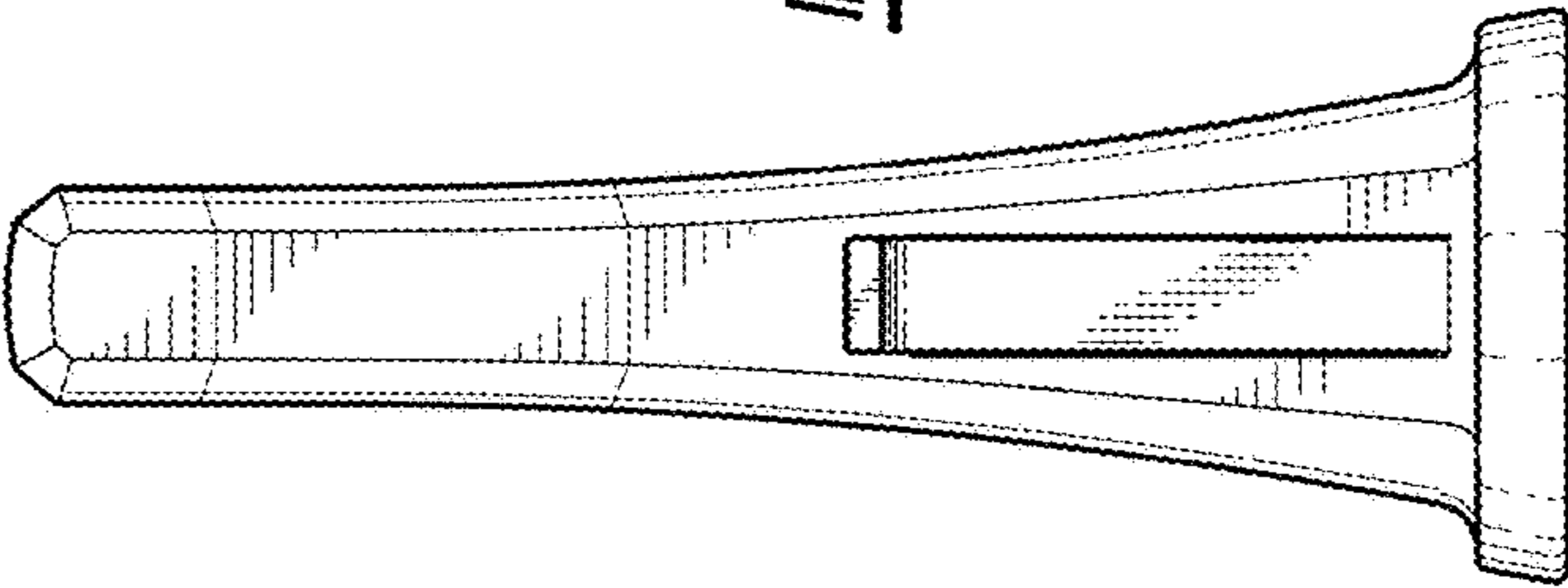


Fig-6

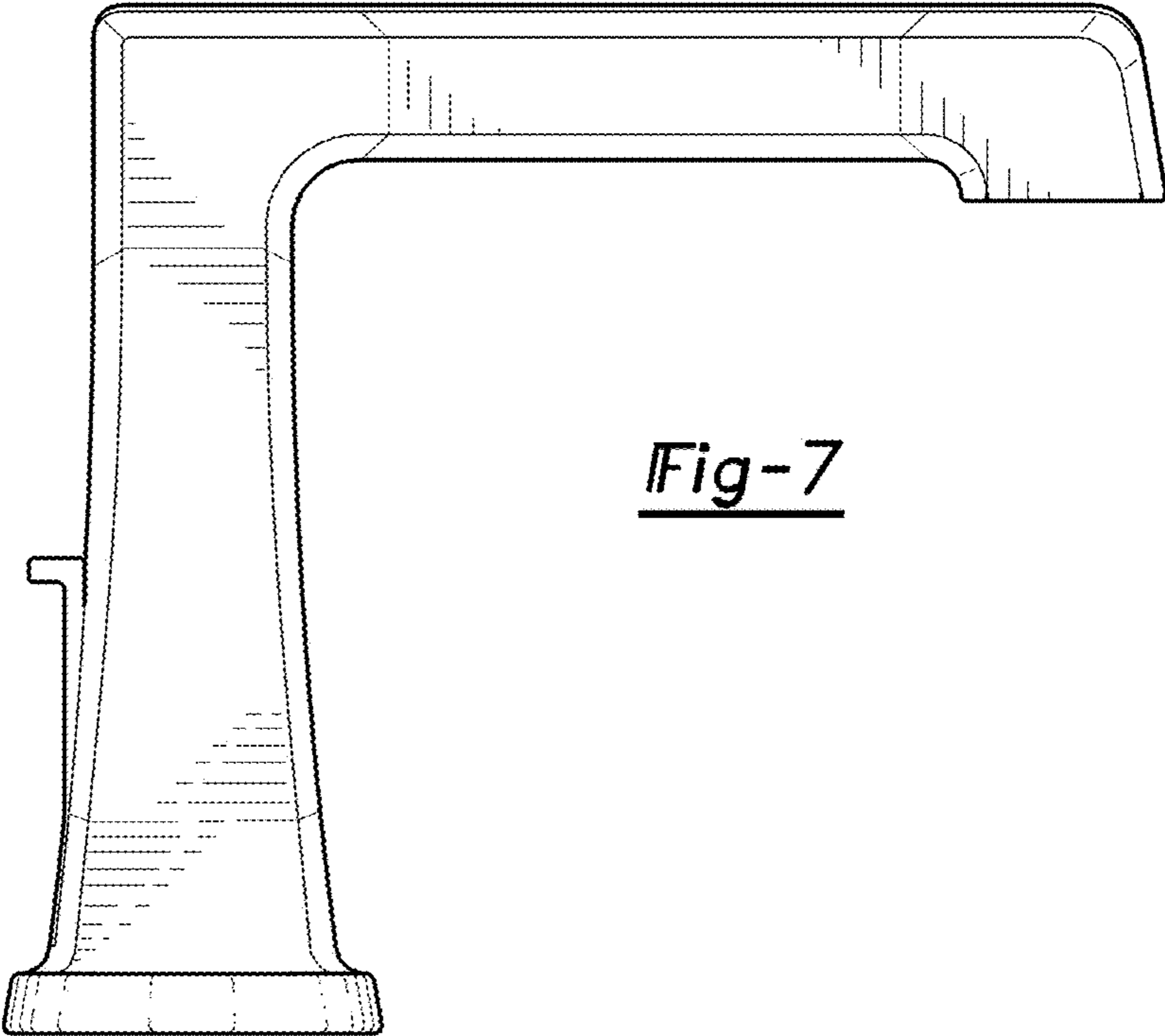


Fig-7

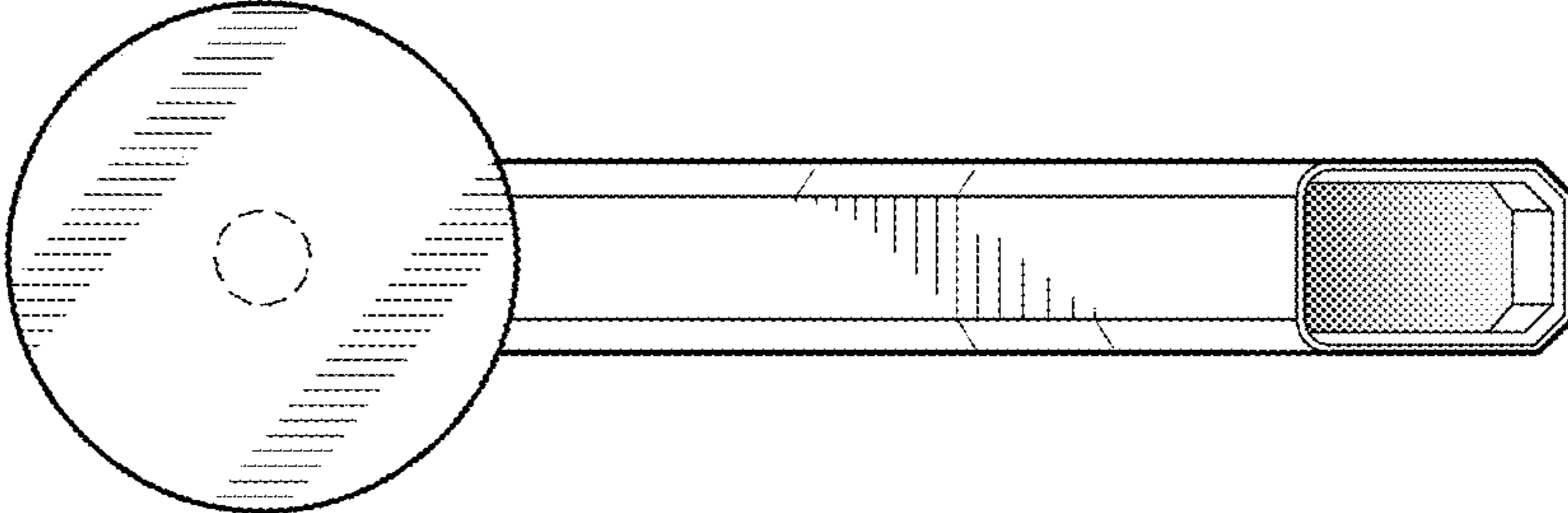


Fig-8