



US00D818563S

(12) **United States Design Patent** (10) **Patent No.:** **US D818,563 S**
Citterio (45) **Date of Patent:** **** May 22, 2018**

(54) **SHOWER CONTROL**

D622,359 S * 8/2010 Bouroullec D23/254
D760,359 S * 6/2016 Citterio D23/252
D799,645 S * 10/2017 Eads D23/254

(71) Applicant: **Hansgrohe SE**, Schiltach (DE)

* cited by examiner

(72) Inventor: **Antonio Citterio**, Milan (IT)

Primary Examiner — Robert A Delehanty

(73) Assignee: **Hansgrohe SE**, Schiltach (DE)

(74) *Attorney, Agent, or Firm* — Lora J. Graentzdoerffer

(**) Term: **15 Years**

(21) Appl. No.: **29/603,804**

(57) **CLAIM**

(22) Filed: **May 12, 2017**

The ornamental design for a shower control, as shown and described.

(30) **Foreign Application Priority Data**

Nov. 22, 2016 (EM) 003476456-0001

(51) **LOC (11) Cl.** **23-01**

(52) **U.S. Cl.**
USPC **D23/254**

DESCRIPTION

(58) **Field of Classification Search**
USPC D23/250, 254, 238–24, 249; D8/300,
D8/308, 352–353, 312
CPC Y10T 137/9464
See application file for complete search history.

FIG. 1 is a perspective view of a shower control showing my design;
FIG. 2 is a front elevation view;
FIG. 3 is a rear elevation view;
FIG. 4 is a side elevation view;
FIG. 5 is a top plan view; and,
FIG. 6 is a bottom plan view.
The broken lines indicate portions of the shower control that form no part of the claimed design.

(56) **References Cited**

U.S. PATENT DOCUMENTS

D494,254 S * 8/2004 Citterio D23/254
D580,525 S * 11/2008 Citterio D23/254

1 Claim, 6 Drawing Sheets

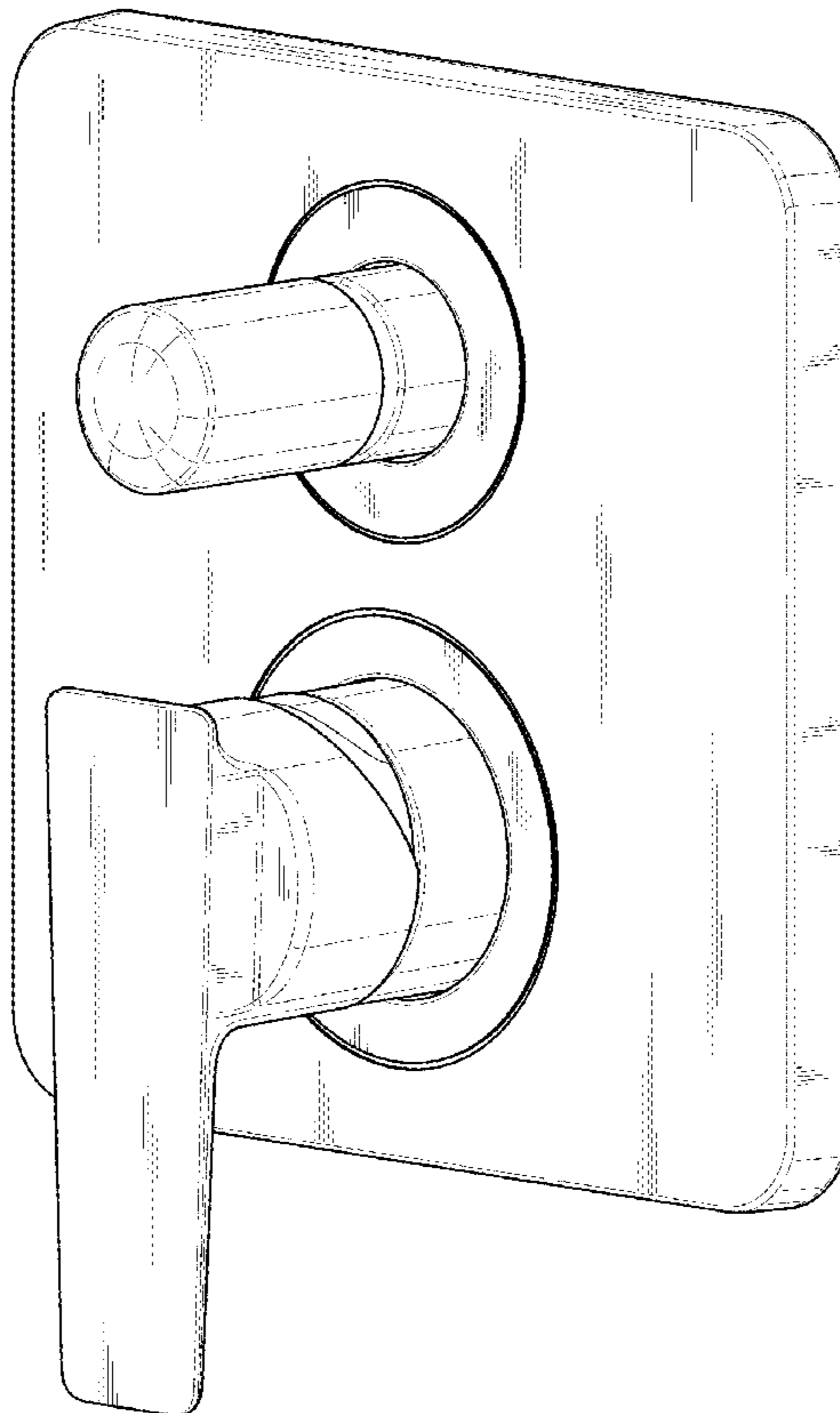


FIG. 1

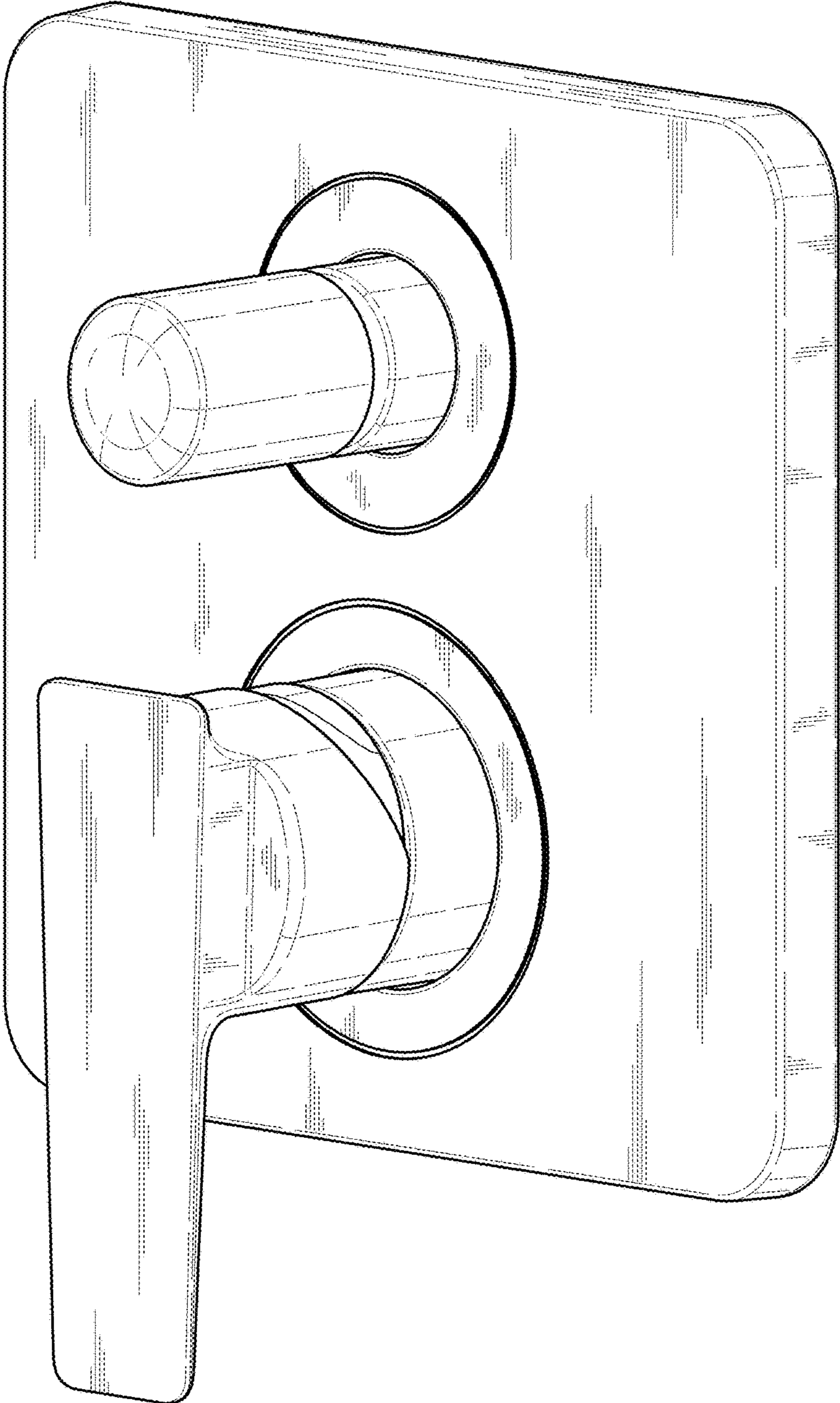


FIG. 2

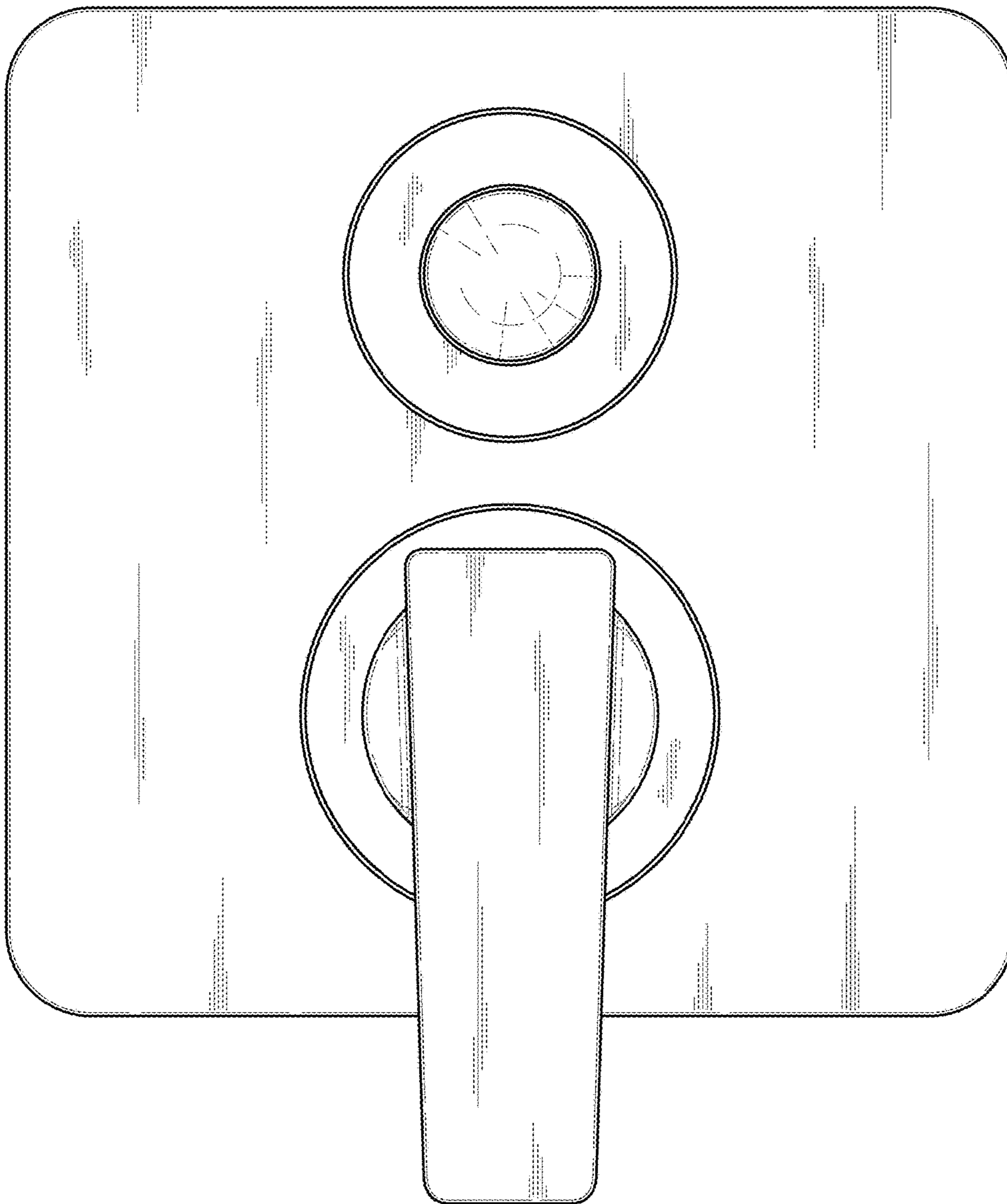


FIG. 3

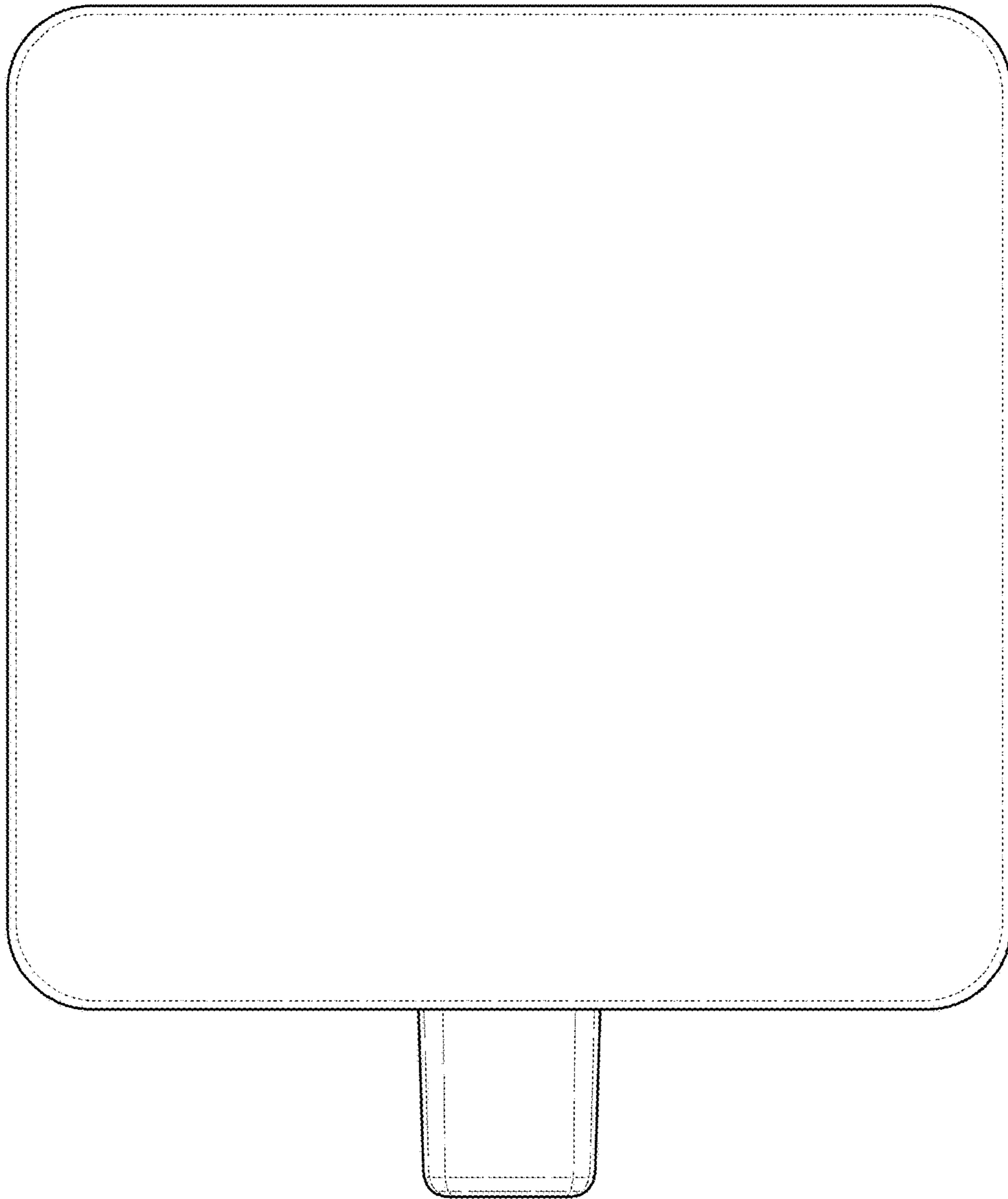


FIG. 4

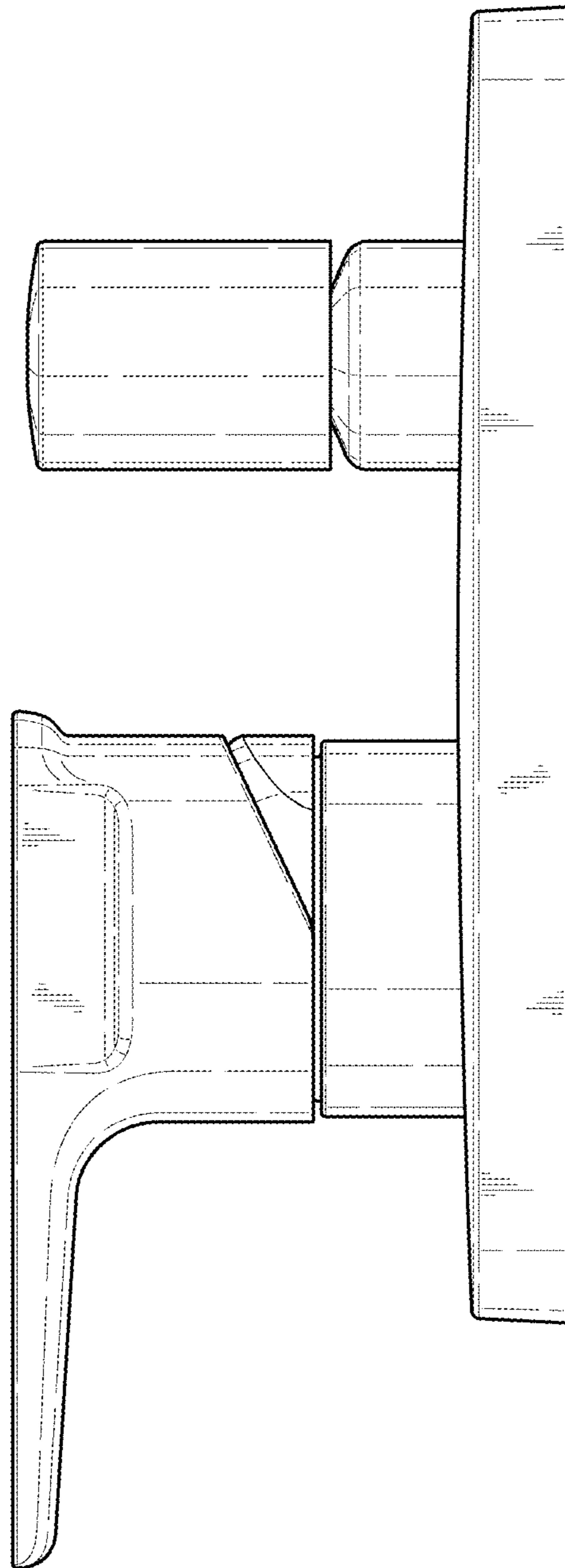


FIG. 5

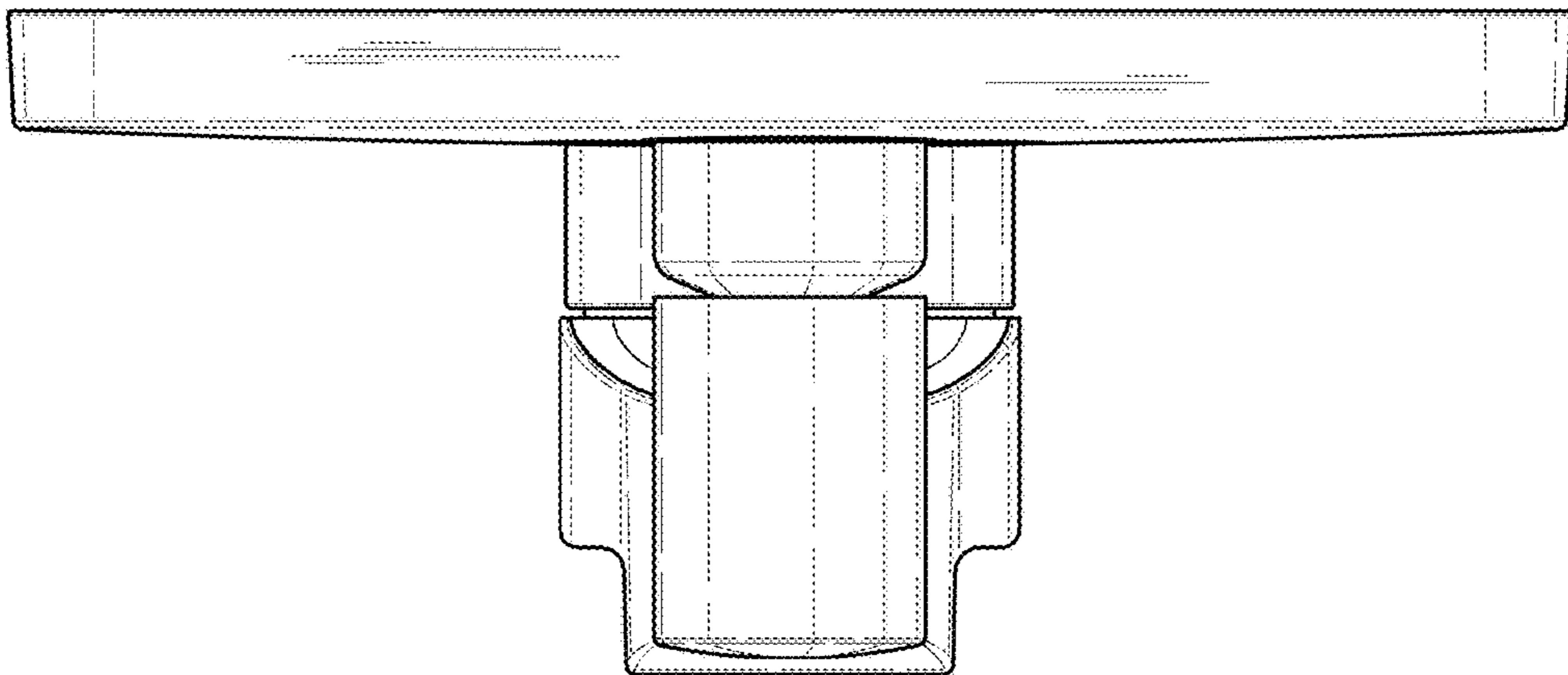


FIG. 6

