



US00D818561S

(12) **United States Design Patent** (10) **Patent No.:** **US D818,561 S**  
**Obermöller** (45) **Date of Patent:** **\*\* \*May 22, 2018**

(54) **VALVE** D537,919 S \* 3/2007 Yamashita ..... D23/233  
7,469,709 B2 \* 12/2008 Bridgeford ..... F16K 3/029  
137/269  
(71) Applicant: **Karl Dungs GmbH & Co. KG,** D620,555 S \* 7/2010 Chuang ..... D23/233  
Urbach (DE) (Continued)

(72) Inventor: **Nils Obermöller,** Schorndorf (DE)

**FOREIGN PATENT DOCUMENTS**

(73) Assignee: **KARL DUNGS GMBH & CO. KG,** DE 102012202569 A1 \* 8/2013 ..... F01L 1/143  
Urbach (DE) EM 0003029149-0004 \* 3/2016

(Continued)

(\* ) Notice: This patent is subject to a terminal disclaimer.

**OTHER PUBLICATIONS**

(\*\*) Term: **15 Years**

MultiBlock posted by Dungs posted date unknown, © Dungs Combustion Control, [online], [site visited Aug. 31, 2017]. Available from Internet, <https://www.dungs.com/en/service/press-information/>.\*

(Continued)

(21) Appl. No.: **29/577,637**

(22) Filed: **Sep. 14, 2016**

(51) **LOC (11) Cl.** ..... **23-01**

(52) **U.S. Cl.**

USPC ..... **D23/233;** D13/118

(58) **Field of Classification Search**

USPC ..... D23/233–237, 244–249; D13/118;  
436/160; 422/51; D15/199, 5; 137/554,  
137/557, 560, 882, 884, 269, 271, 343,  
137/625.64; 251/12, 129.04, 219, 331,  
251/30.01

CPC .. F01L 9/04; F01L 1/143; F04B 1/063; F16K  
27/08; F16K 31/12; F16K 31/0675; F16K  
31/1266; F16K 31/007; F16K 31/0679

See application file for complete search history.

*Primary Examiner* — Cynthia Ramirez

*Assistant Examiner* — Laura H Yu

(74) *Attorney, Agent, or Firm* — Fitch, Even, Tabin & Flannery LLP

(57)

**CLAIM**

I claim the ornamental design for a valve, as shown and described.

**DESCRIPTION**

FIG. 1 is a perspective view of a valve of my new design; FIG. 2 is a front elevational view of the valve of FIG. 1; FIG. 3 is a rear elevational view of the valve of FIG. 1; FIG. 4 is a right side elevational view of the valve of FIG. 1;

FIG. 5 is a left side elevational view of the valve of FIG. 1; FIG. 6 is a top plan view of the valve of FIG. 1; and, FIG. 7 is a bottom plan view of the valve of FIG. 1.

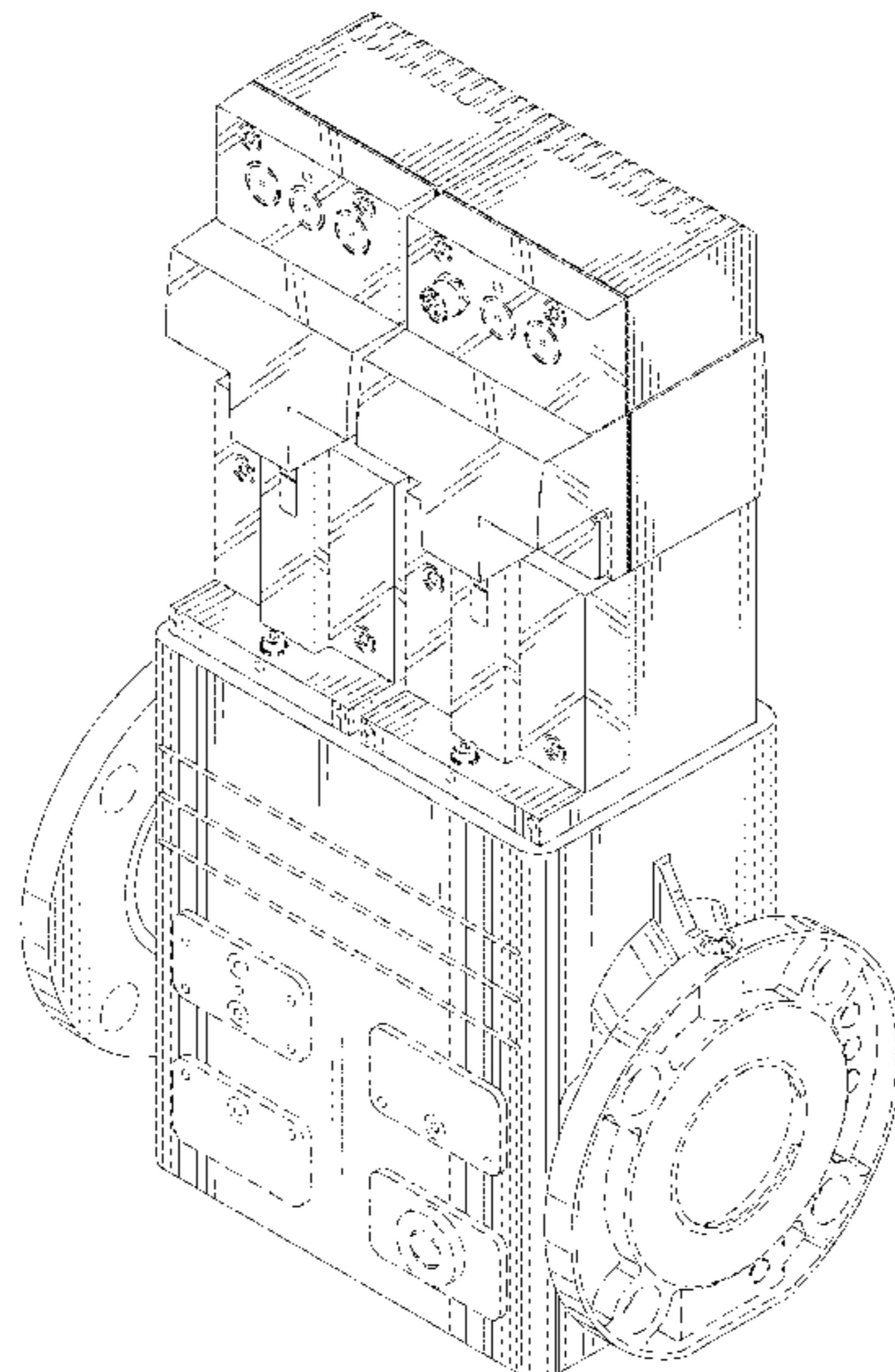
The broken lines in the figures are for the purpose of illustrating portions of the valve that form no part of the claimed design.

(56) **References Cited**

**U.S. PATENT DOCUMENTS**

D246,907 S \* 1/1978 Fialkowski ..... D23/233  
D370,054 S \* 5/1996 Nakadaira ..... D23/245  
D410,522 S \* 6/1999 Hayashi ..... D23/233  
D463,011 S \* 9/2002 Hirose ..... D23/245  
D496,091 S \* 9/2004 Katzman ..... D23/235  
D504,715 S \* 5/2005 Hagihara ..... D23/235

**1 Claim, 6 Drawing Sheets**



(56)

**References Cited**

U.S. PATENT DOCUMENTS

D636,460 S \* 4/2011 Hayashi ..... D23/233  
7,947,223 B2 \* 5/2011 Carlsson ..... G01N 25/20  
374/31  
D650,337 S \* 12/2011 Bonomi ..... D13/158  
8,783,295 B2 \* 7/2014 Igarashi ..... F15B 13/0814  
137/271  
D731,028 S \* 6/2015 Weidner ..... D23/233  
9,304,517 B2 \* 4/2016 Hirai ..... G05D 7/012  
2009/0301581 A1 \* 12/2009 MacNeal ..... F16K 1/306  
137/505.14  
2015/0034846 A1 \* 2/2015 Fan ..... F16K 3/00  
251/12  
2016/0040800 A1 \* 2/2016 Gosling ..... F16K 27/065  
251/367

FOREIGN PATENT DOCUMENTS

EM 0003029149-0006 \* 3/2016  
EM 0003029149-0007 \* 3/2016  
EP 002765309 A1 \* 8/2014 ..... F04B 1/063  
JP 2015037856 \* 9/2016 ..... F16K 31/44

OTHER PUBLICATIONS

Combustion Controls posted by Dungs posted date Mar. 10, 2017,  
© Dungs Combustion Control, [online], [site visited Aug. 31, 2017].  
Available from Internet, <https://www.dungs.com/en/service/press-information/>.\*

\* cited by examiner

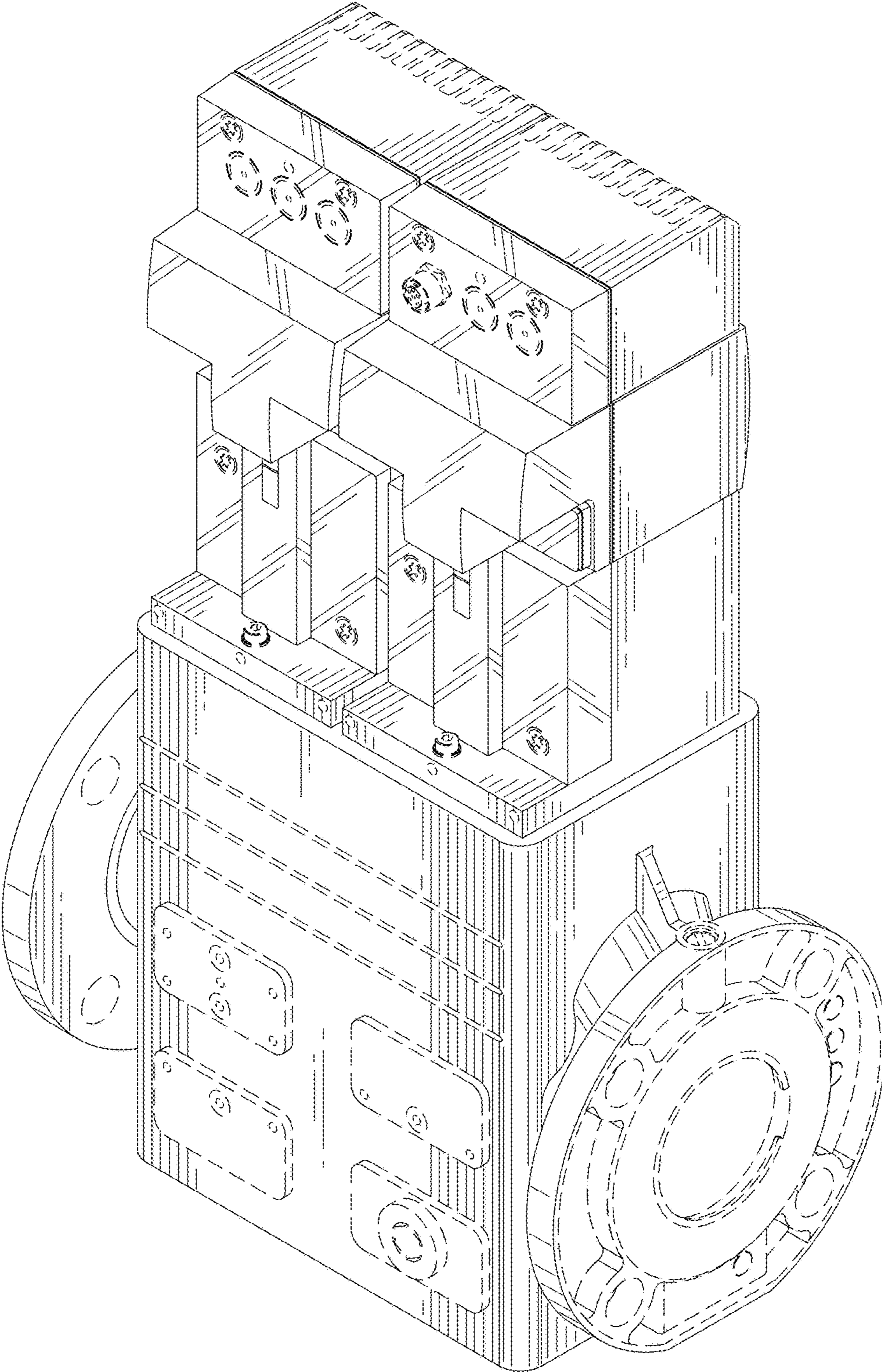


FIG. 1

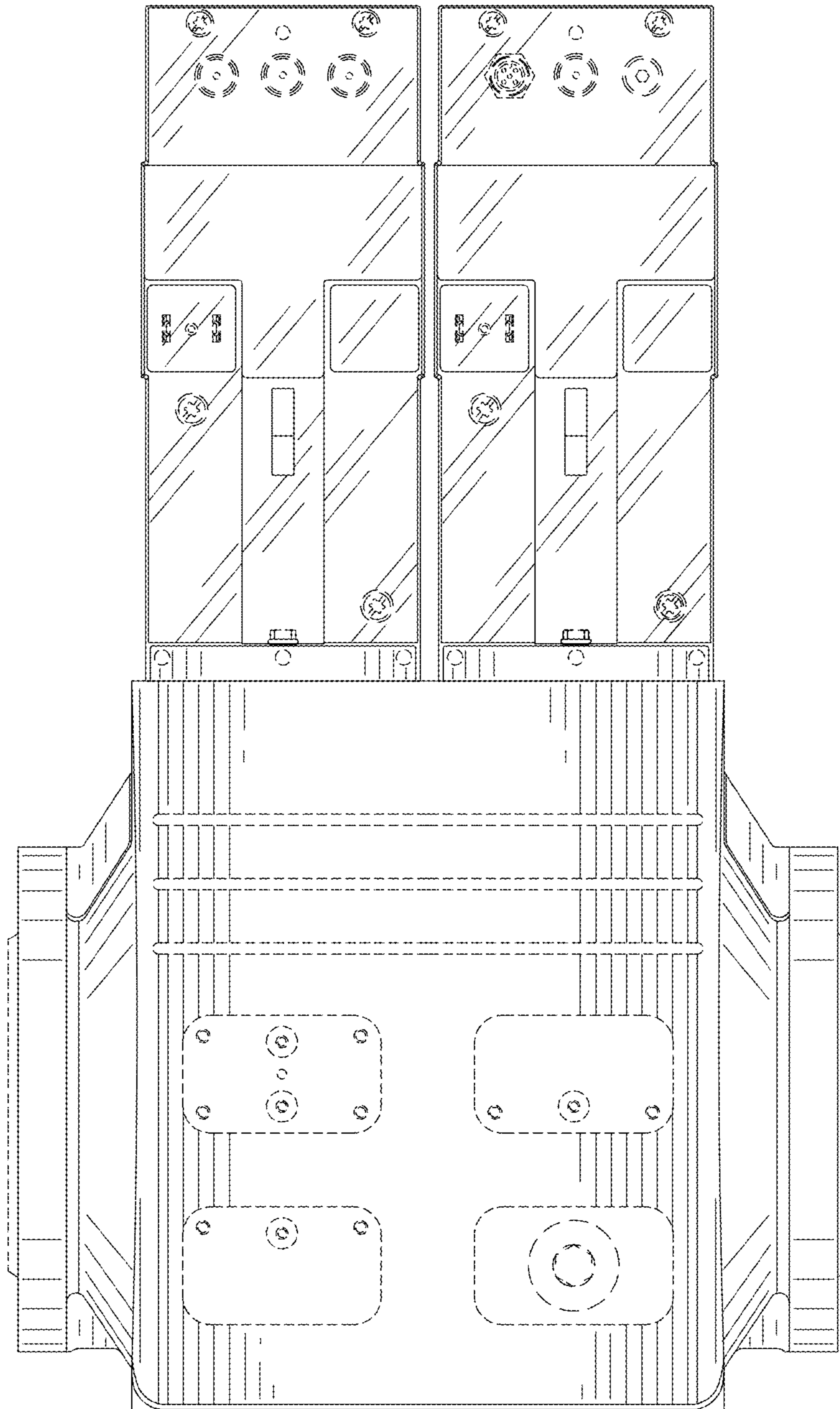


FIG. 2

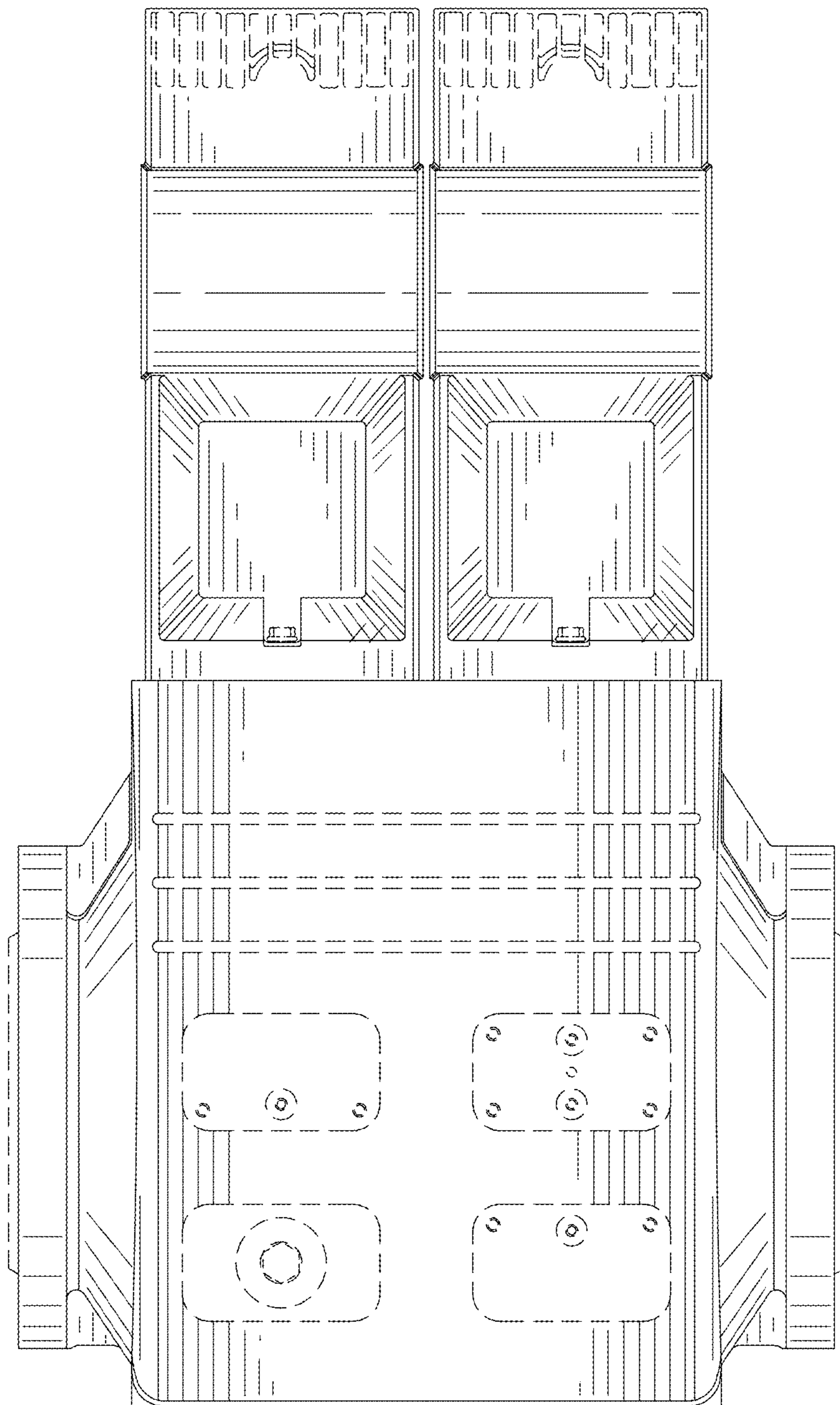


FIG. 3

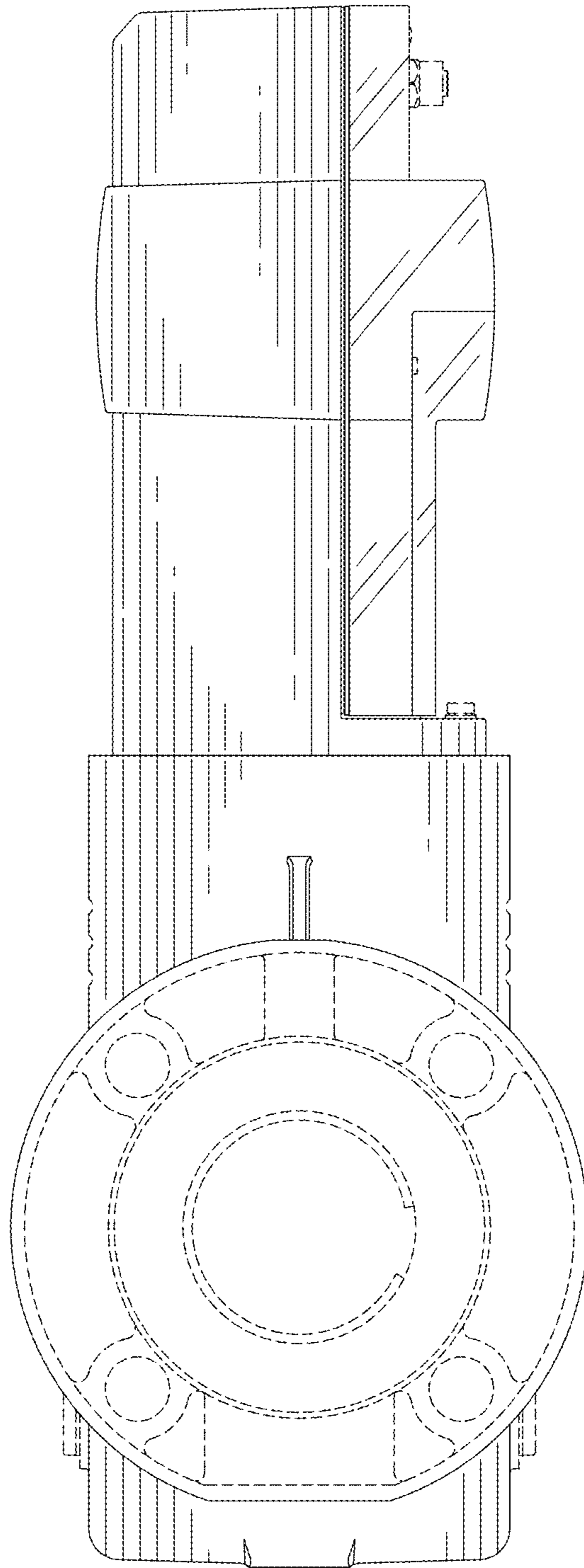


FIG. 4

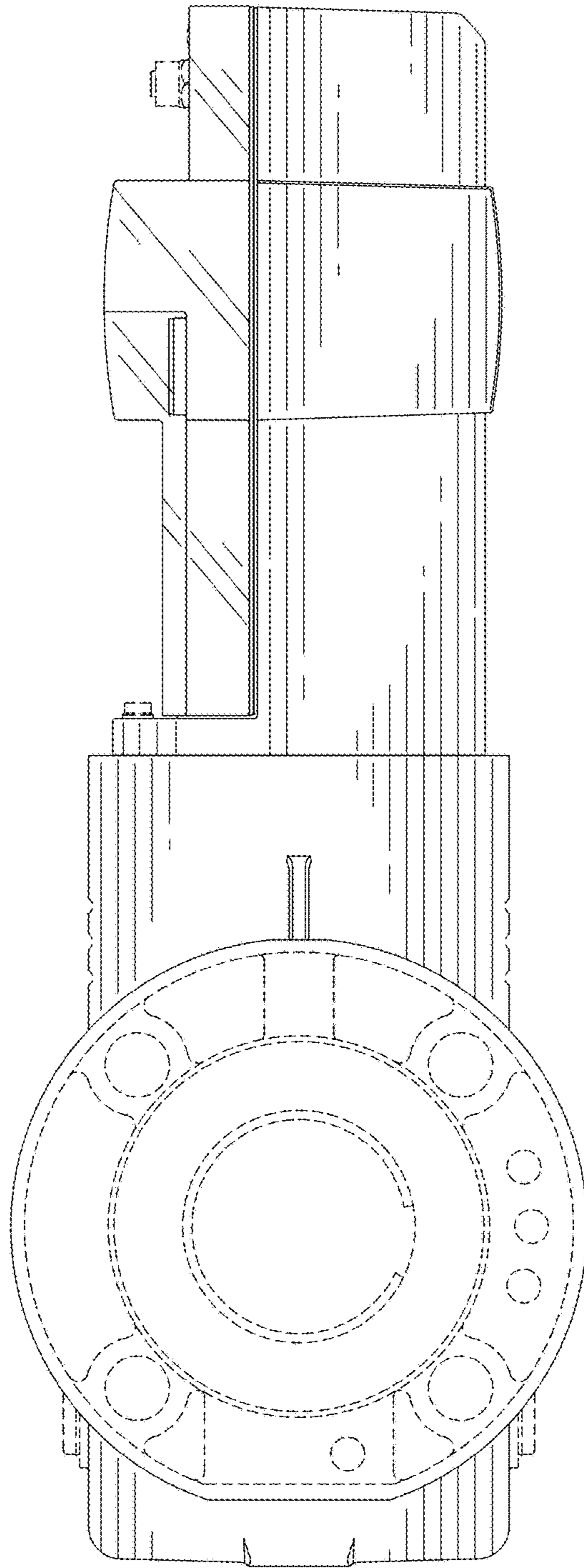


FIG. 5

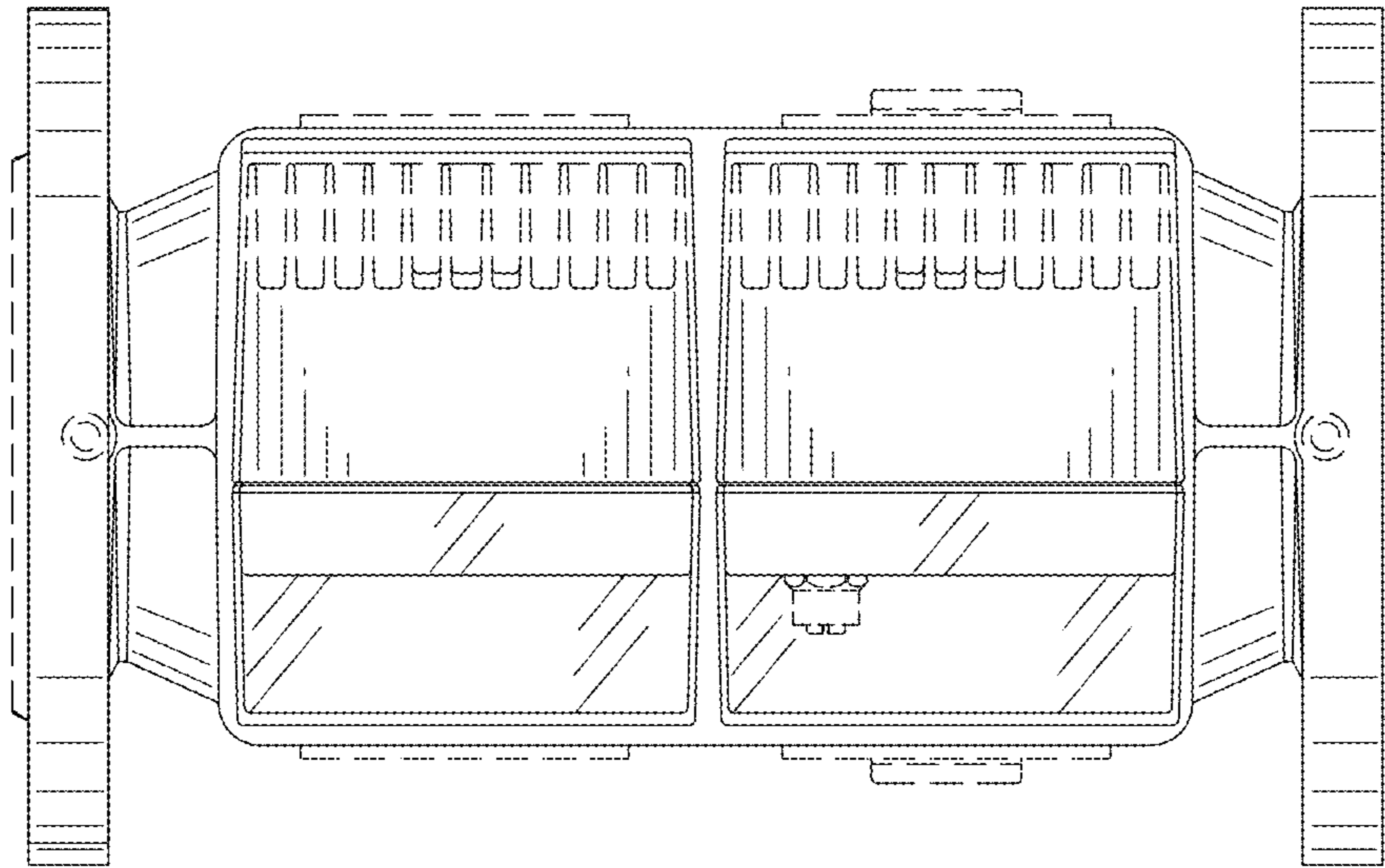


FIG. 6

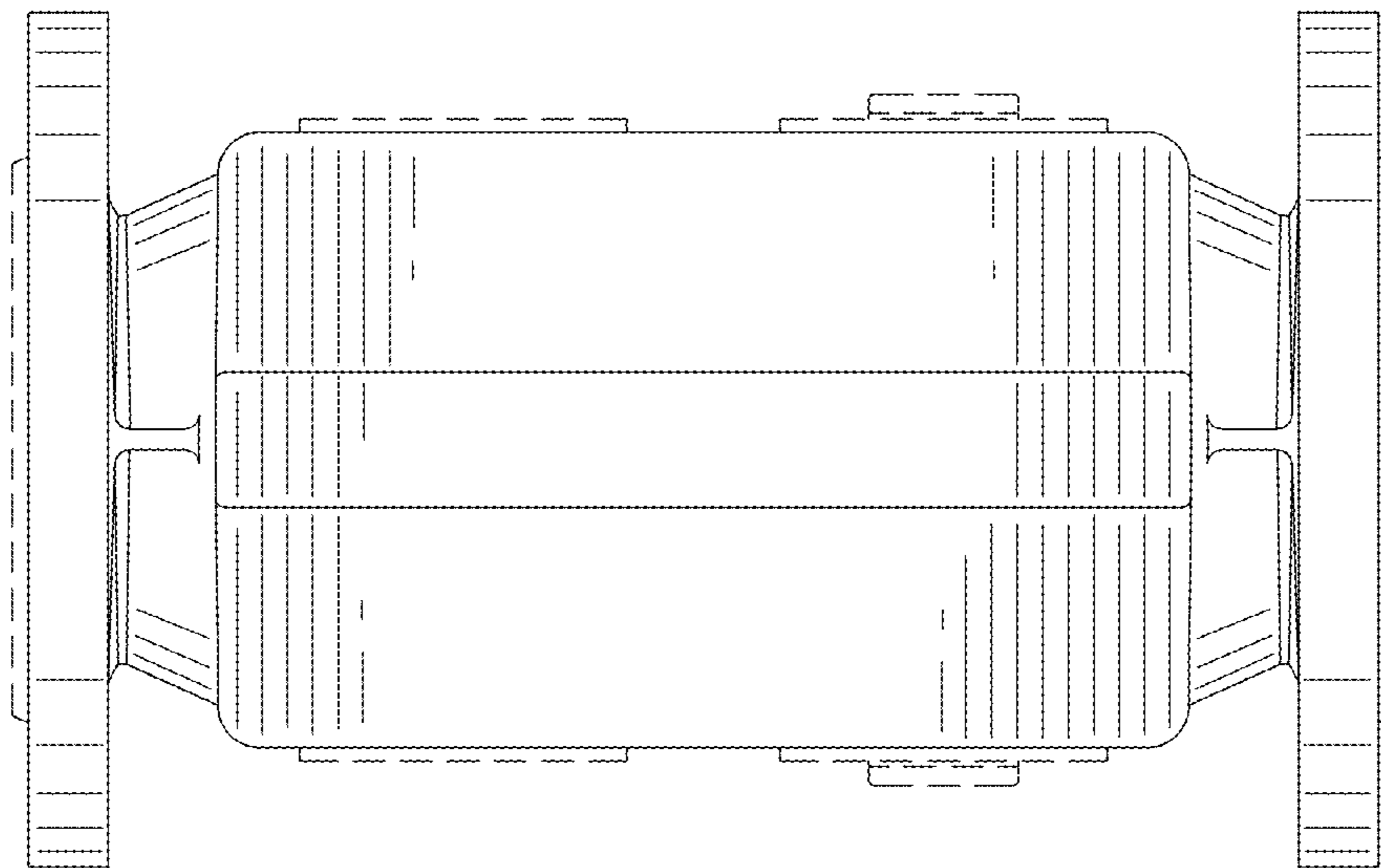


FIG. 7