



US00D818557S

(12) **United States Design Patent**  
**Jammet**

(10) **Patent No.:** **US D818,557 S**

(45) **Date of Patent:** **\*\* May 22, 2018**

(54) **PISTOL GRIP ASSEMBLY**

(71) Applicant: **Julien Jammet**, La Celle Saint Cloud  
(FR)

(72) Inventor: **Julien Jammet**, La Celle Saint Cloud  
(FR)

(\*\*) Term: **15 Years**

(21) Appl. No.: **29/580,188**

(22) Filed: **Oct. 6, 2016**

(51) **LOC (11) Cl.** ..... **22-01**

(52) **U.S. Cl.**  
USPC ..... **D22/108**

(58) **Field of Classification Search**  
USPC ..... D22/108, 103  
CPC ..... F41C 23/10; F41C 23/14; F41C 23/16;  
F41C 23/18  
See application file for complete search history.

(56) **References Cited**

**U.S. PATENT DOCUMENTS**

2,832,166	A *	4/1958	Ivy	.....	F41C 23/16
					42/71.02
D324,552	S *	3/1992	Morrison	.....	D21/573
D324,557	S *	3/1992	Livingston	.....	F41C 23/04
					D22/103
D337,145	S *	7/1993	Horton-Corcoran	.....	D22/103
D381,196	S *	7/1997	Stefanelli	.....	D3/16
D416,305	S *	11/1999	Ruger	.....	D22/100
D502,753	S *	3/2005	Bezborodov	.....	D22/103
D523,096	S *	6/2006	Pflaumer	.....	D21/573
D590,907	S *	4/2009	Barnett	.....	D22/107
D616,056	S *	5/2010	Bentley	.....	F41C 23/00
					D22/108
D631,526	S *	1/2011	Torre	.....	D22/108
7,886,473	B2 *	2/2011	Rotharmel	.....	F41A 3/66
					42/75.03
D637,681	S *	5/2011	Bentley	.....	D22/108
D642,228	S *	7/2011	Torre	.....	D21/573

D645,110	S *	9/2011	Cook	.....	D22/108
D679,772	S *	4/2013	Mossberg, Jr.	.....	
D700,265	S *	2/2014	Mayberry	.....	D22/108
D701,281	S *	3/2014	Cottle	.....	D22/108
D706,376	S *	6/2014	Maes	.....	D22/108
D710,477	S *	8/2014	Kauranen	.....	D22/108
D712,996	S *	9/2014	Tresserras Torre	.....	D22/108

(Continued)

**OTHER PUBLICATIONS**

Rossi Circuit Judge Lever Action . . . 410/45!!!, TheFirearmBlog.com, Posted Apr. 20, 2011, by Steve Johnson, [online], [site visited Oct. 11, 2017]. <URL: <http://www.thefirearmblog.com/blog/2011/04/20/rossi-circuit-judge-lever-action-410-45/>> (Year: 2011).\*

(Continued)

*Primary Examiner* — T. Chase Nelson

*Assistant Examiner* — Jonathan J. Han

(74) *Attorney, Agent, or Firm* — Cooper & Dunham LLP

(57) **CLAIM**

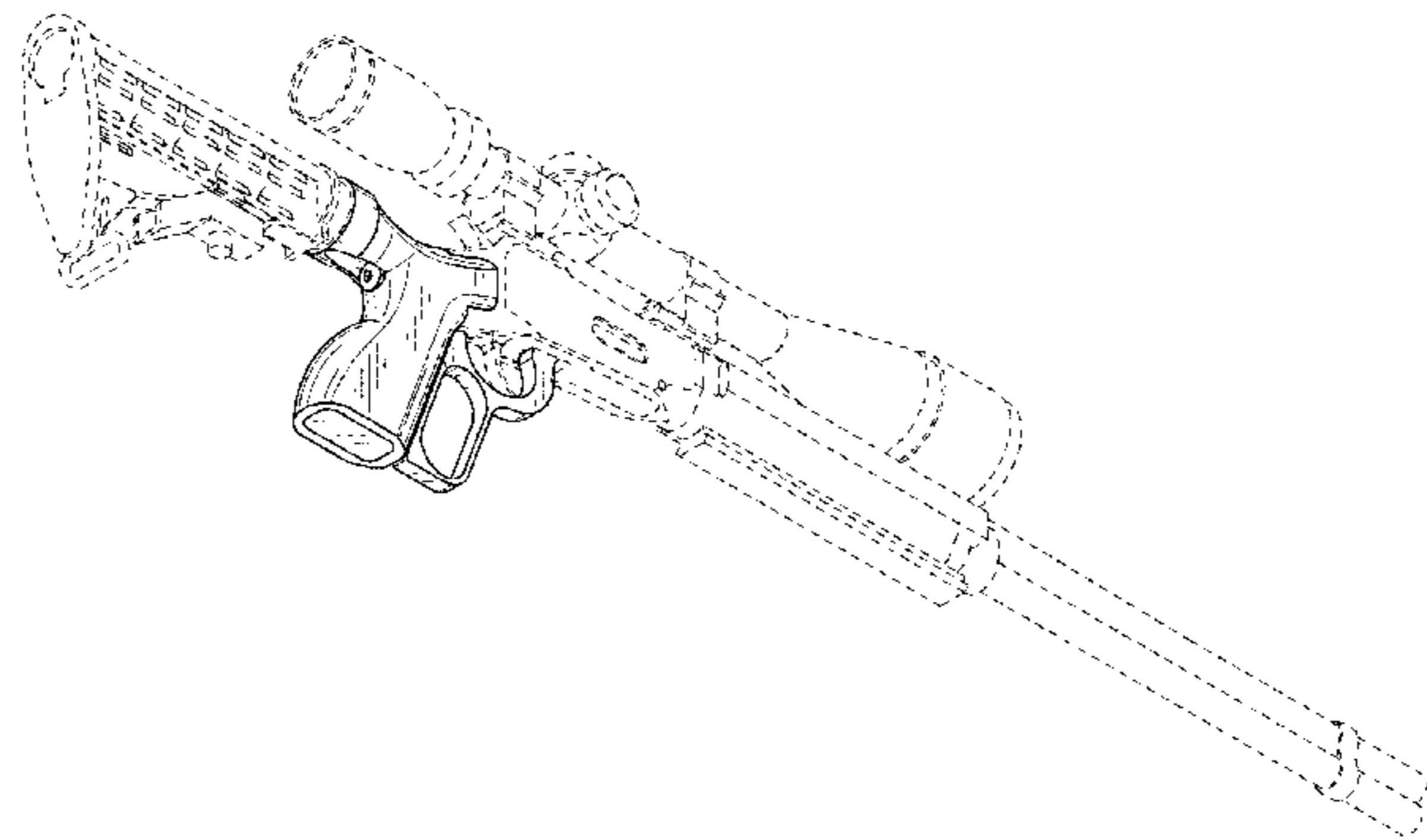
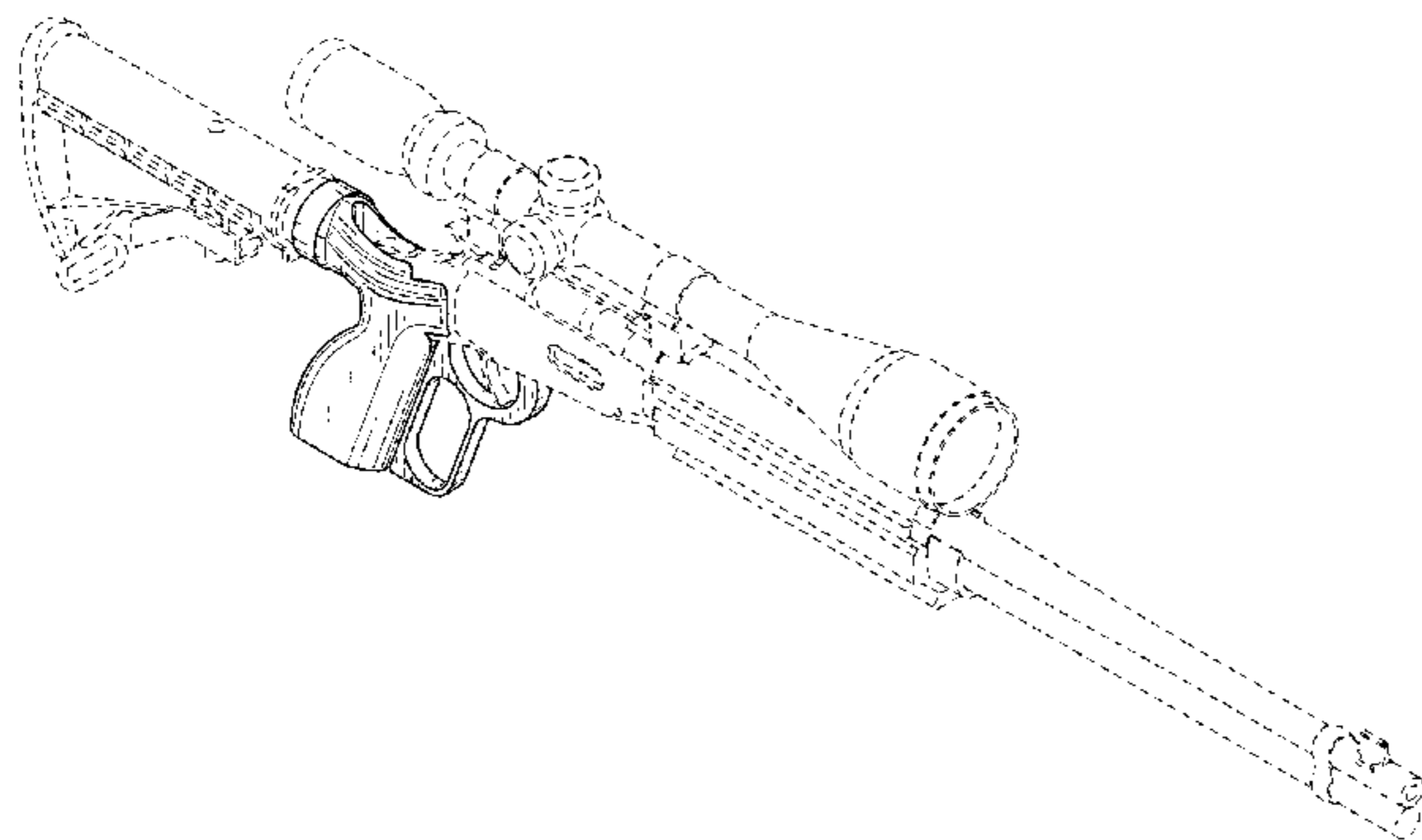
The ornamental design for a pistol grip assembly, as shown and described.

**DESCRIPTION**

FIG. 1 is a top perspective view of a pistol grip assembly in accordance with the present design;  
FIG. 2 is a side perspective view thereof;  
FIG. 3 is a front view thereof;  
FIG. 4 is a back view thereof;  
FIG. 6 is a right side view thereof;  
FIG. 6 is a left side view thereof;  
FIG. 7 is a top view thereof; and,  
FIG. 8 is a bottom view thereof.

The broken lines are used to illustrate unclaimed environment and form no part of the claimed design. The shading represents contour of the claimed design.

**1 Claim, 5 Drawing Sheets**



(56)

**References Cited**

## U.S. PATENT DOCUMENTS

8,826,577 B1 \* 9/2014 Bentley ..... F41C 23/22  
 42/49.01  
 D717,386 S \* 11/2014 Moretti ..... D22/103  
 D718,830 S \* 12/2014 Barnett ..... D22/107  
 D740,908 S \* 10/2015 Tresserras Torre ..... D22/108  
 D744,055 S \* 11/2015 Bitz ..... D22/108  
 D744,056 S \* 11/2015 Jammet ..... D22/108  
 D744,057 S 11/2015 Jammet  
 D755,323 S \* 5/2016 Eitan ..... D22/103  
 D757,885 S \* 5/2016 Barfoot ..... D22/108  
 9,341,442 B1 \* 5/2016 Geissele ..... F41C 27/18  
 D779,616 S \* 2/2017 Barnett ..... D22/107  
 D792,938 S \* 7/2017 Arnedo Vera ..... D22/108  
 2007/0006508 A1 \* 1/2007 Baker ..... F41A 11/02  
 42/71.02  
 2007/0214696 A1 \* 9/2007 Barnett ..... F41A 3/12  
 42/16  
 2017/0153085 A1 \* 6/2017 Thordsen ..... F41C 23/14

## OTHER PUBLICATIONS

BLR Lightweight Stainless with Pistol Grip, Browning.com, [online], [site visited Oct. 11, 2017]. <URL: <http://www.browning.com/products/firearms/rifles/blr/current-production/blr-light-weight-stainless-with-pistol-grip.html>> (Year: 2017).\*

Adler Lever Action Shotgun, TheFirearmBlog.com, Posted Aug. 20, 2015, by Nicholas C., [online], [site visited Oct. 11, 2017]. <URL : <http://www.thefirearmblog.com/blog/2015/08/20/adler-lever-action-shotgun/>> (Year: 2015).\*

1887 Bootleg Lever Action Shotgun 12-Gauge 18.5" Barrel, TaylorsFirearms.com, [online], [site visited Oct. 11, 2017]. <URL: <http://www.taylorsfirearms.com/1887-bootleg-lever-action-shotgun-12-gauge-18-5-barrel.html>> (Year: 2017).\*

\* cited by examiner

FIG. 1

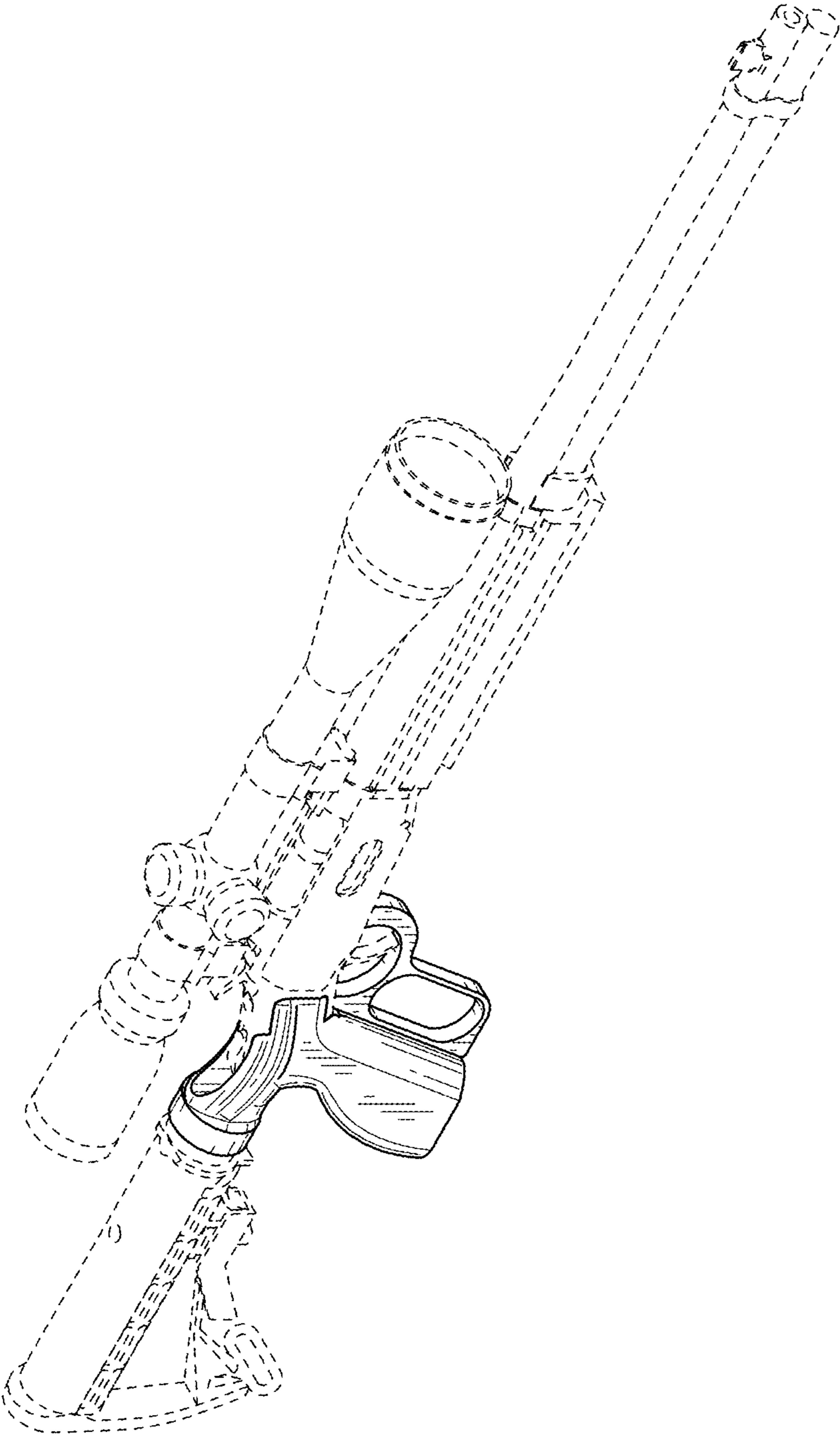
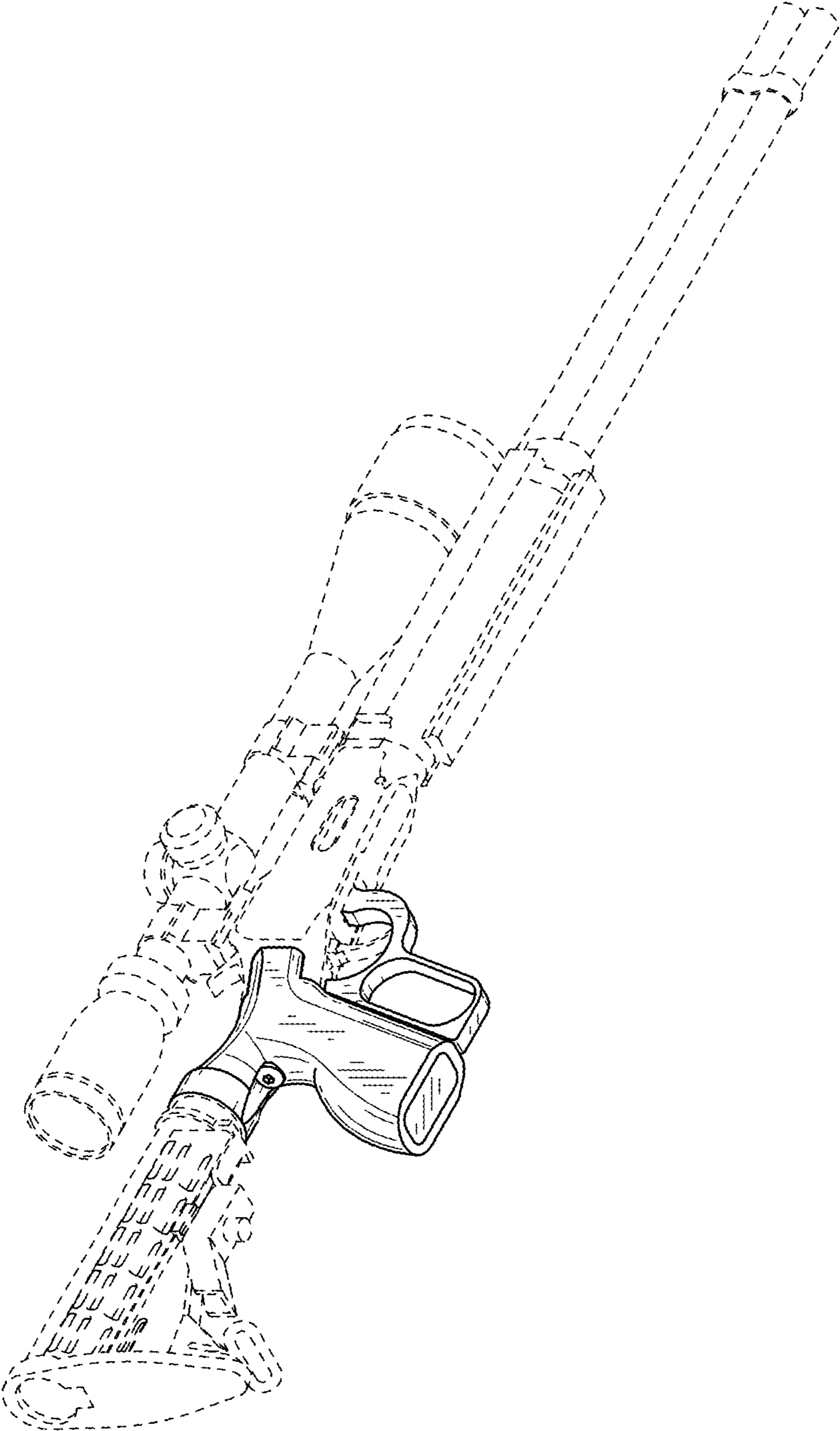
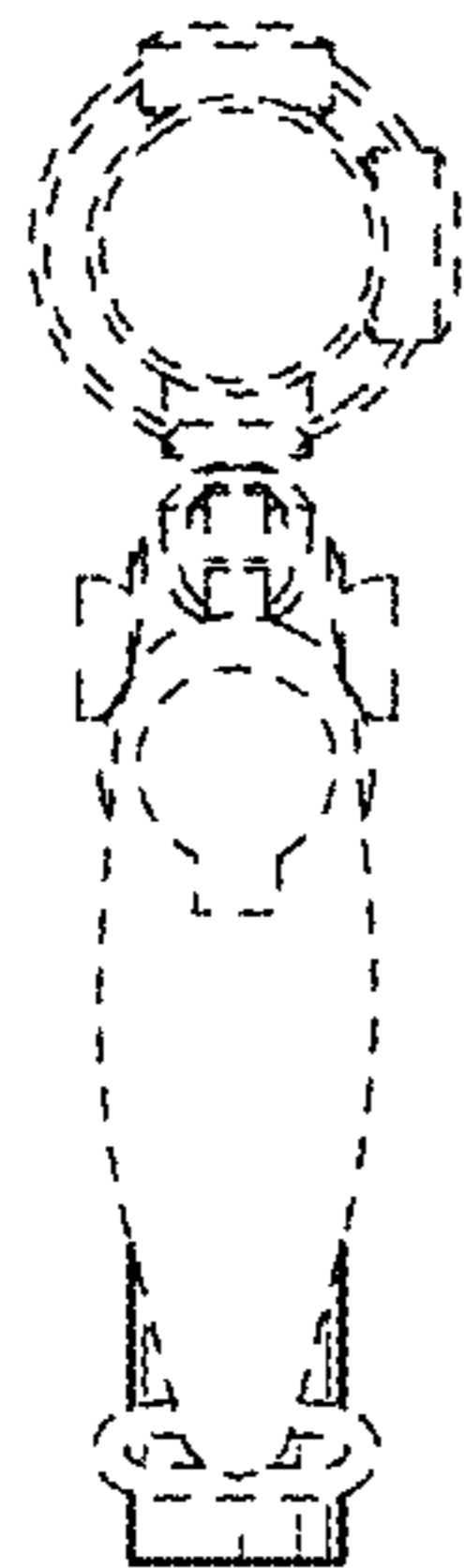


FIG. 2



*FIG. 3*



*FIG. 4*

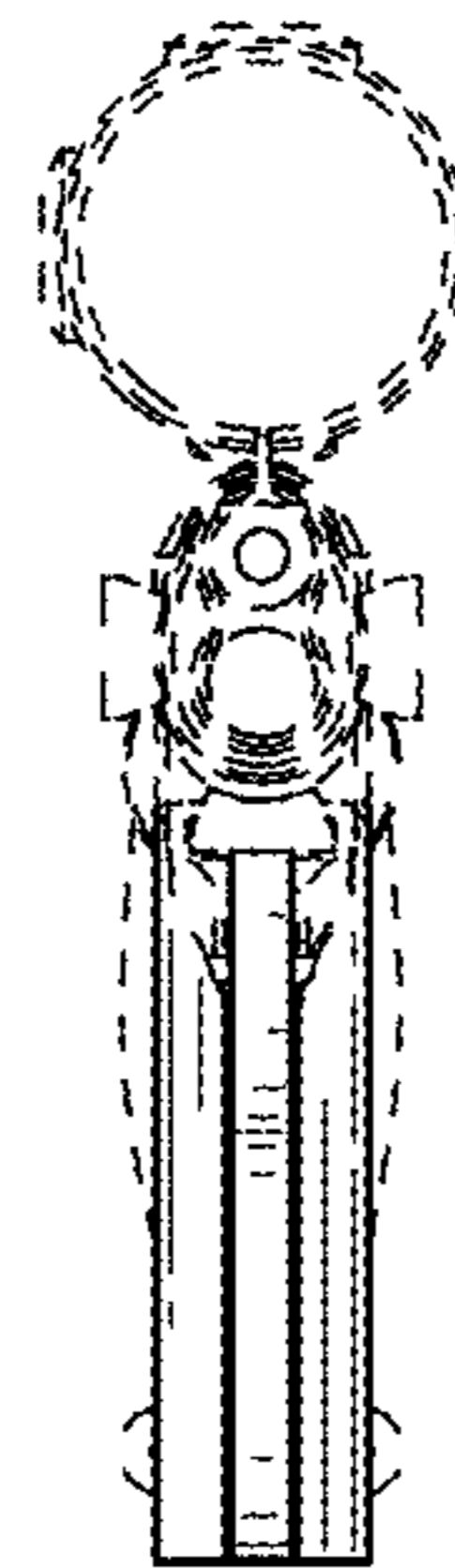


FIG. 5

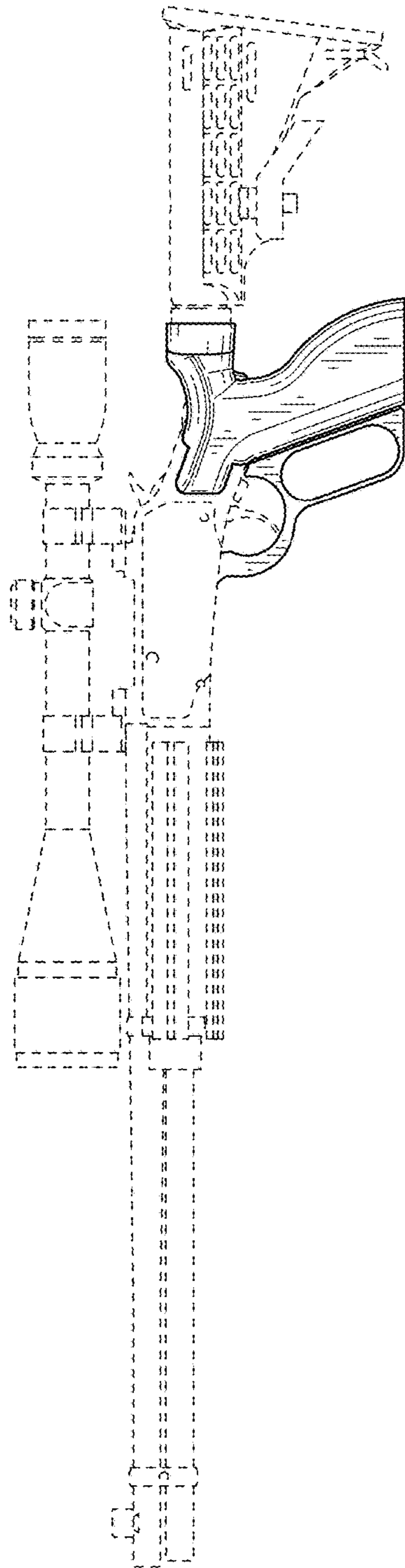


FIG. 6

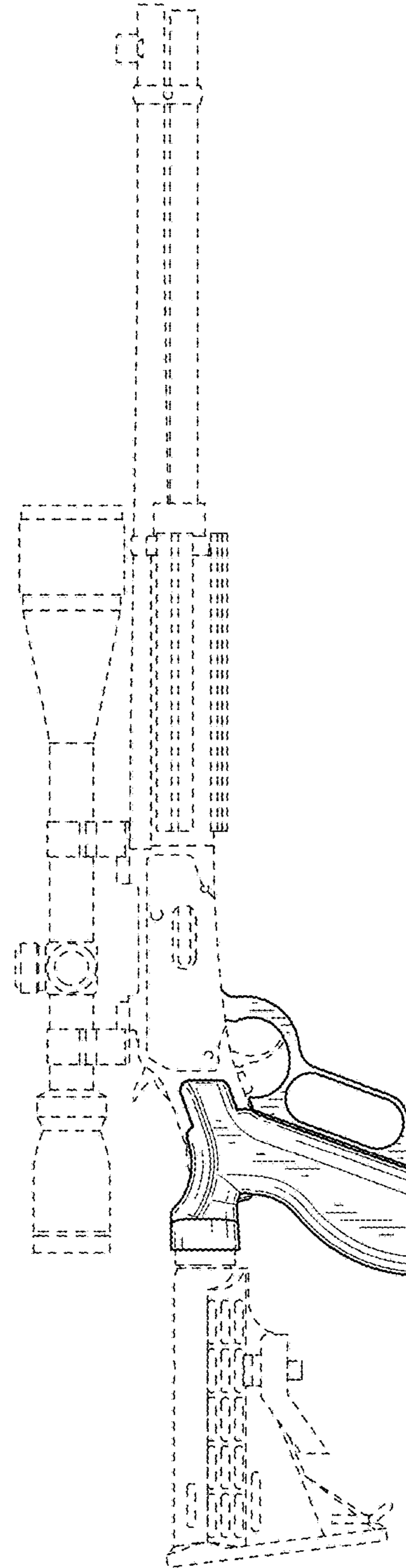


FIG. 7

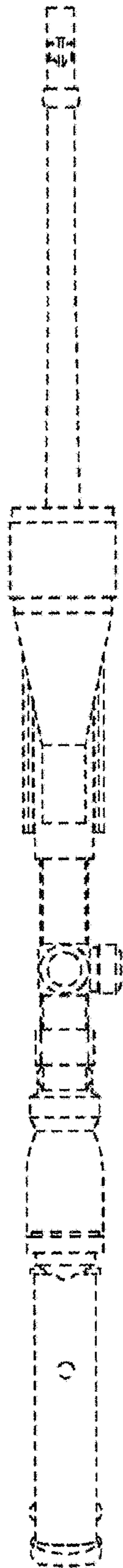


FIG. 8

