



US00D818556S

(12) **United States Design Patent**
Kedairy

(10) **Patent No.:** **US D818,556 S**

(45) **Date of Patent:** **** May 22, 2018**

(54) **FOLDING STOCK FOR A FIREARM**

(71) Applicant: **Skychase Holdings Corporation,**
Alachua, FL (US)

(72) Inventor: **Faisal Kedairy,** Vienna (AT)

(73) Assignee: **Skychase Holdings Corporation,**
Alachua, FL (US)

(**) Term: **15 Years**

(21) Appl. No.: **29/575,919**

(22) Filed: **Aug. 30, 2016**

(30) **Foreign Application Priority Data**

Mar. 1, 2016 (EM) 003008655

(51) **LOC (11) Cl.** **22-01**

(52) **U.S. Cl.**
USPC **D22/108**

(58) **Field of Classification Search**
USPC D22/108; D21/572-573
CPC F41C 23/04; F41C 23/14; F41C 23/06;
F41C 23/22; F41C 33/007
See application file for complete search history.

(56) **References Cited**

U.S. PATENT DOCUMENTS

2,437,548 A 3/1948 Patchett
3,256,632 A 6/1966 Carlo
3,987,571 A 10/1976 Orozco
4,271,623 A 6/1981 Beretta

4,383,384 A 5/1983 Fox
4,735,007 A 4/1988 Gal
4,788,785 A 12/1988 White
5,924,233 A 7/1999 Strobel
7,552,557 B1 6/2009 Mabry
8,438,771 B1 5/2013 Boone
9,823,042 B2* 11/2017 Thordsen F41C 23/14
2017/0254613 A1* 9/2017 Kedairy F41C 23/12

* cited by examiner

Primary Examiner — Michael A. Pratt

(74) *Attorney, Agent, or Firm* — Whitmyer IP Group LLC

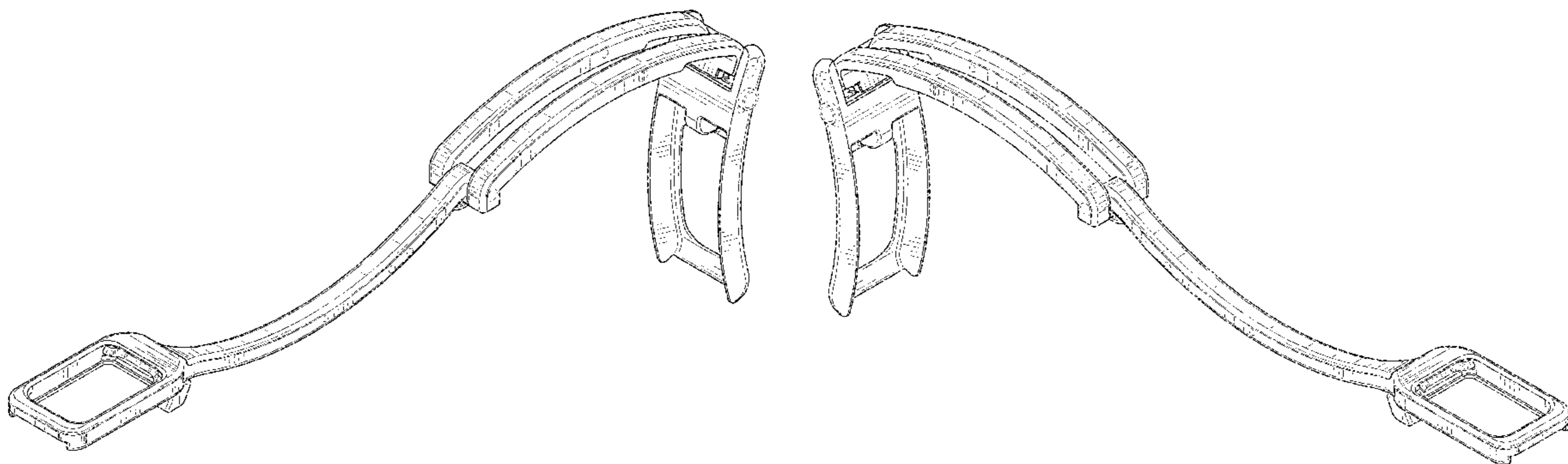
(57) **CLAIM**

The ornamental design for a folding stock for a firearm, as shown and described.

DESCRIPTION

FIG. 1 is a first front isometric view of a folding stock for a firearm showing my new design;
FIG. 2 is a front elevation view thereof;
FIG. 3 is a rear elevation view thereof;
FIG. 4 is a left side elevation view thereof;
FIG. 5 is a right side elevation view thereof;
FIG. 6 is a top plan view thereof;
FIG. 7 is a bottom plan view thereof; and,
FIG. 8 is a second front isometric view thereof.
The broken lines in the Figures show portions of the folding stock for a firearm that form no part of the claimed design. The relatively thin lines in the Figures represent contour and not surface ornamentation.

1 Claim, 5 Drawing Sheets



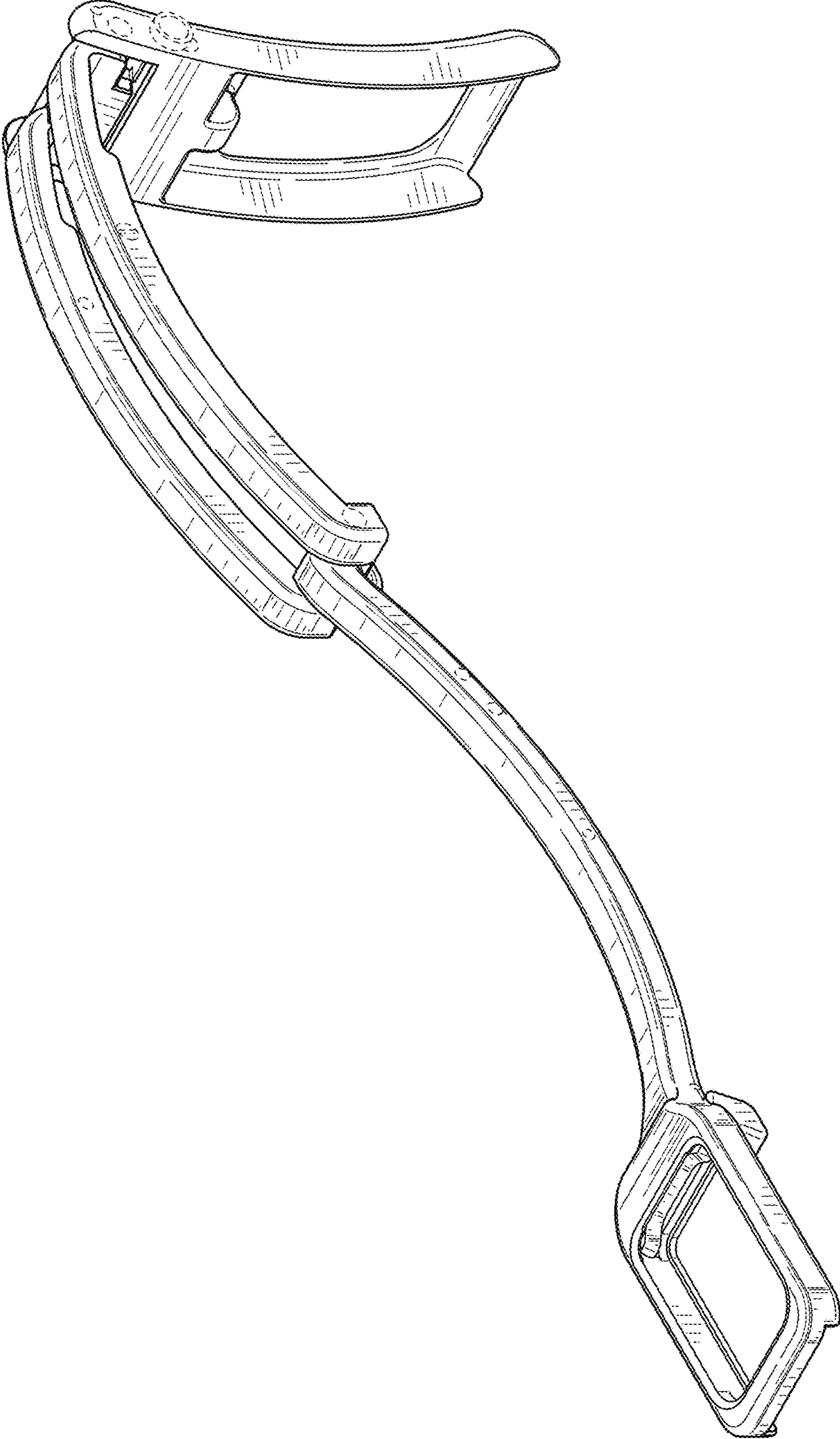


FIG. 1

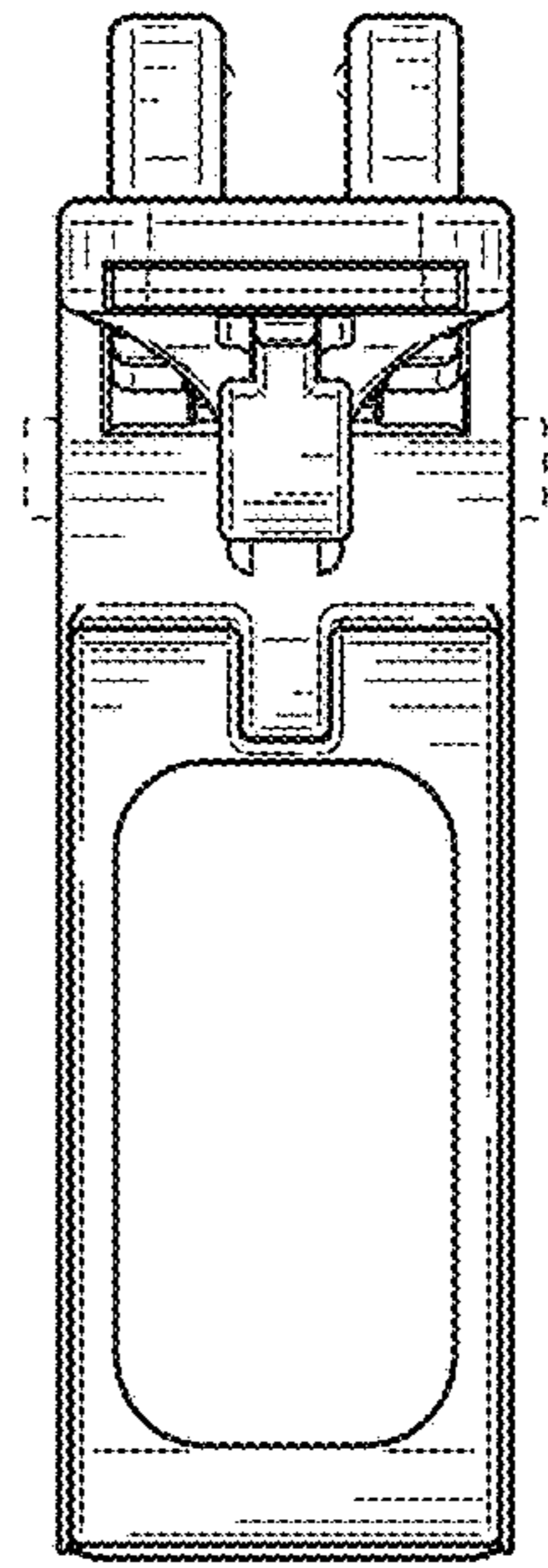


FIG. 2

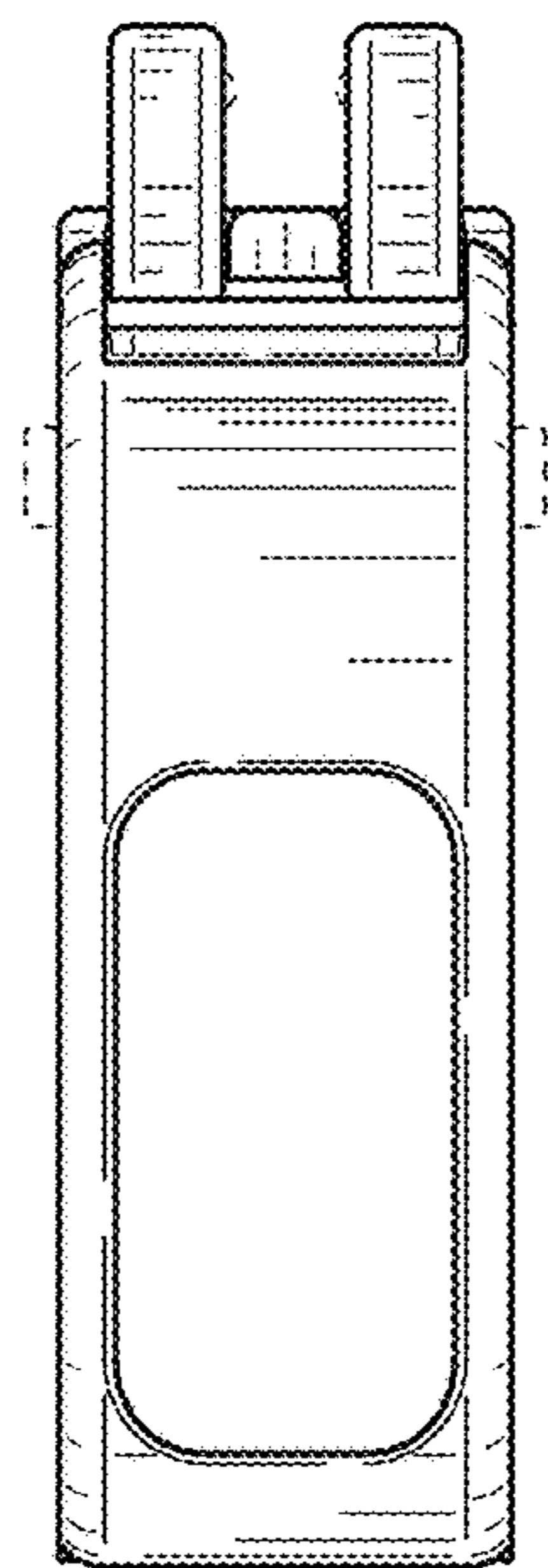


FIG. 3

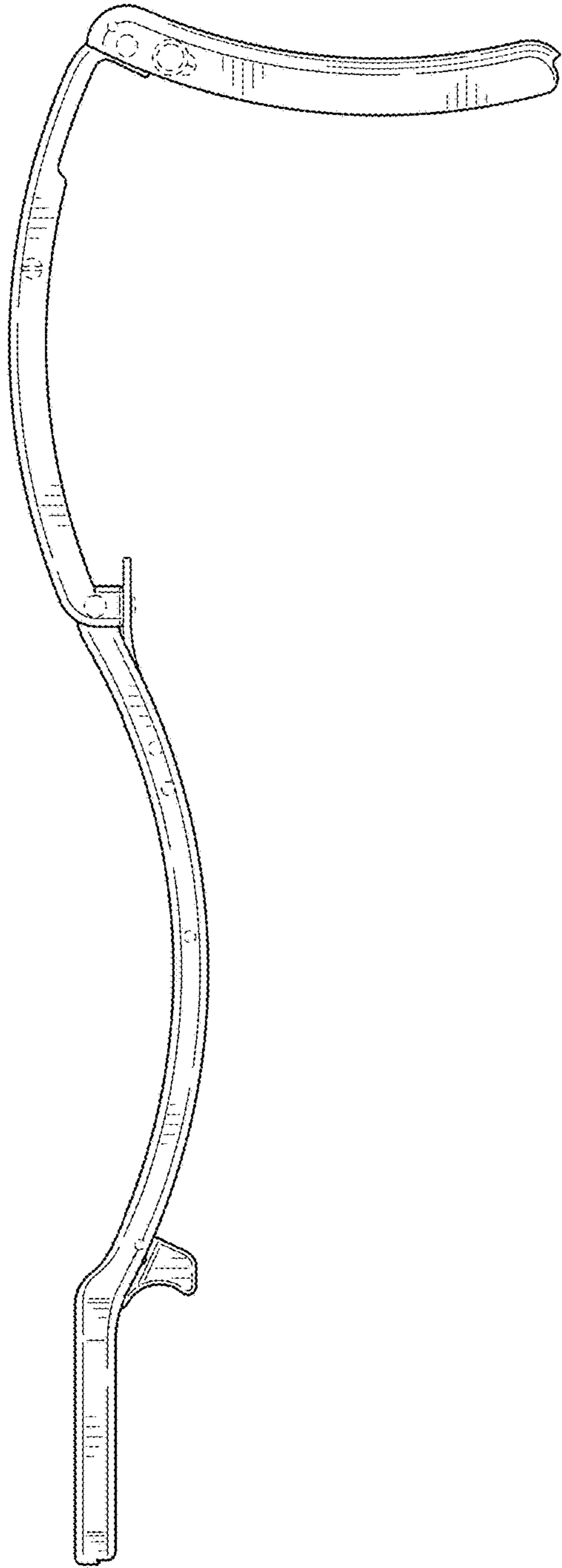


FIG. 4

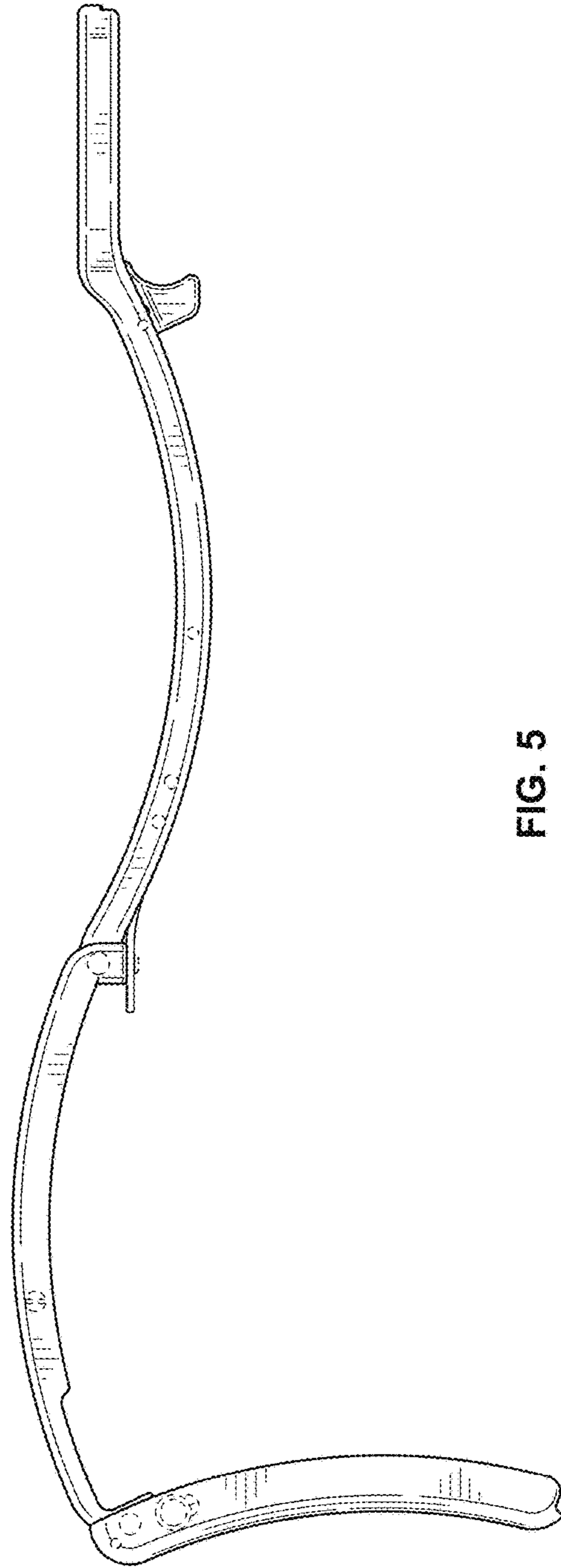


FIG. 5

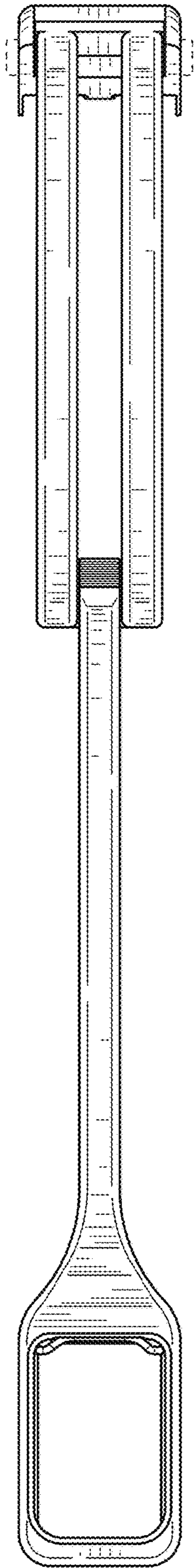


FIG. 6

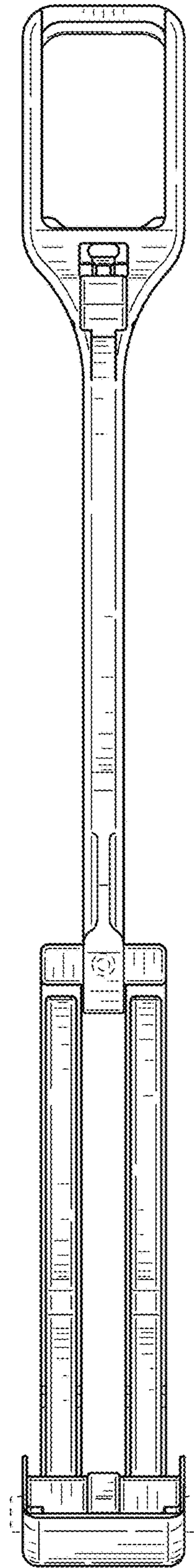


FIG. 7

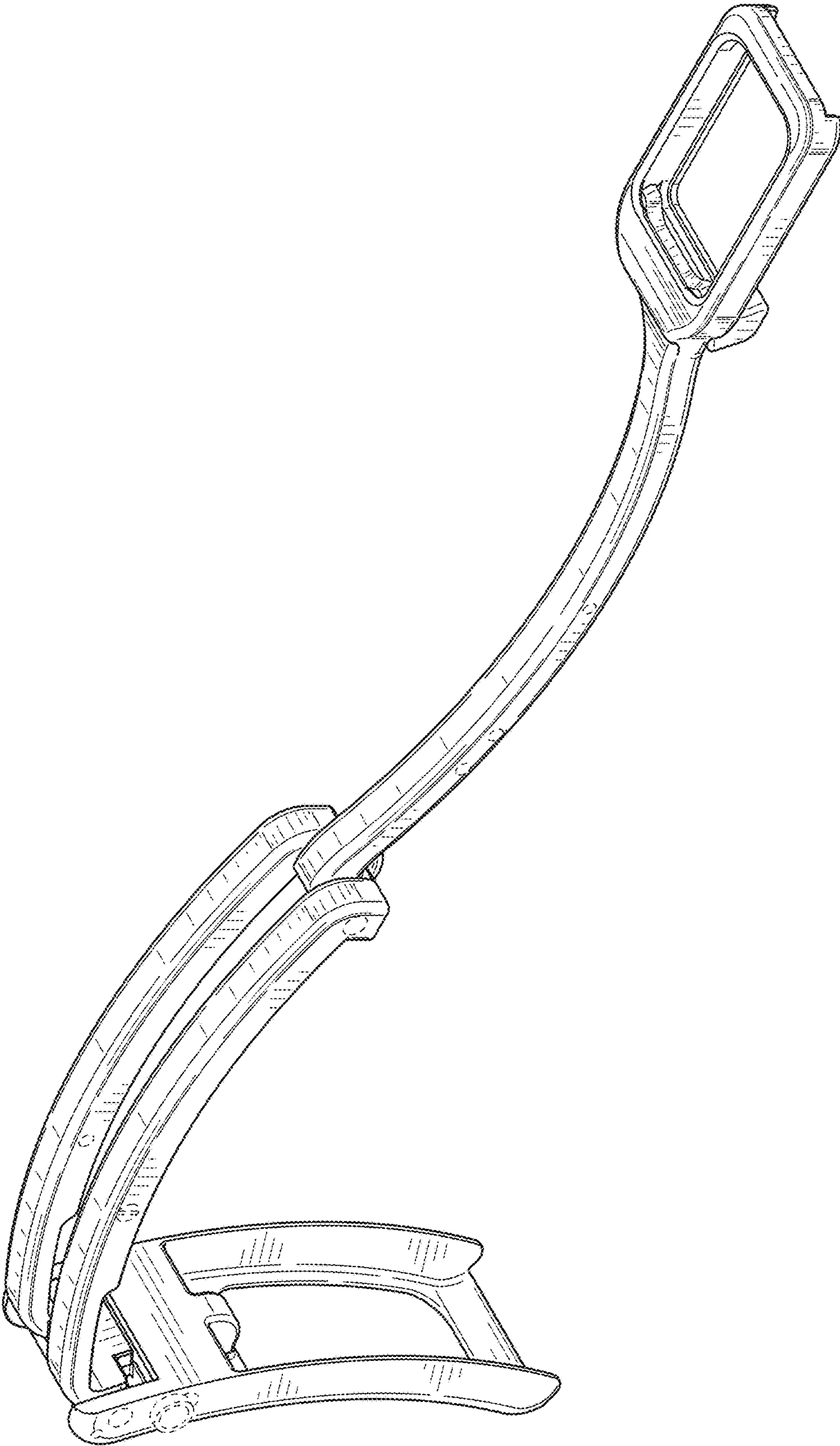


FIG. 8