



US00D818555S

(12) **United States Design Patent**  
**Faxon**

(10) **Patent No.:** **US D818,555 S**

(45) **Date of Patent:** **\*\* May 22, 2018**

(54) **SHELL DEFLECTOR FOR UPPER RECEIVER**

(71) Applicant: **Faxon Firearms, LLC**, Cincinnati, OH (US)

(72) Inventor: **Robert T. Faxon**, Cincinnati, OH (US)

(73) Assignee: **Faxon Firearms, LLC**, Cincinnati, OH (US)

(\*\*) Term: **15 Years**

(21) Appl. No.: **29/572,529**

(22) Filed: **Jul. 28, 2016**

(51) **LOC (11) Cl.** ..... **22-01**

(52) **U.S. Cl.**  
USPC ..... **D22/108**

(58) **Field of Classification Search**  
CPC ..... F41C 23/00; F41C 27/00; F41C 27/06;  
F41C 23/10; F41C 23/14; F41C 23/16;  
F41C 23/18; F41A 5/18; F41A 5/24;  
F41A 21/28  
See application file for complete search history.

(56) **References Cited**

**U.S. PATENT DOCUMENTS**

3,978,602	A *	9/1976	Morrow	.....	F41A 9/60
					42/98
8,826,797	B2 *	9/2014	Overstreet	.....	F41A 35/06
					89/128
8,910,406	B1	12/2014	Huang et al.		
D745,621	S *	12/2015	Huang	.....	D22/108
D760,860	S *	7/2016	Vincent	.....	D22/108
9,404,694	B2 *	8/2016	Hochstrate	.....	F41A 3/26
D768,801	S *	10/2016	Morris	.....	D22/108
9,528,793	B1 *	12/2016	Oglesby	.....	F41C 23/16

9,574,846	B2 *	2/2017	Huang	.....	F41A 3/66
D787,005	S *	5/2017	Capps	.....	D22/108
9,664,468	B1 *	5/2017	Johnson	.....	F41A 9/56
2013/0219763	A1	8/2013	Nunes		
2015/0198394	A1	7/2015	Hochstrate et al.		

\* cited by examiner

*Primary Examiner* — Michael A. Pratt

(74) *Attorney, Agent, or Firm* — Wood Herron & Evans LLP

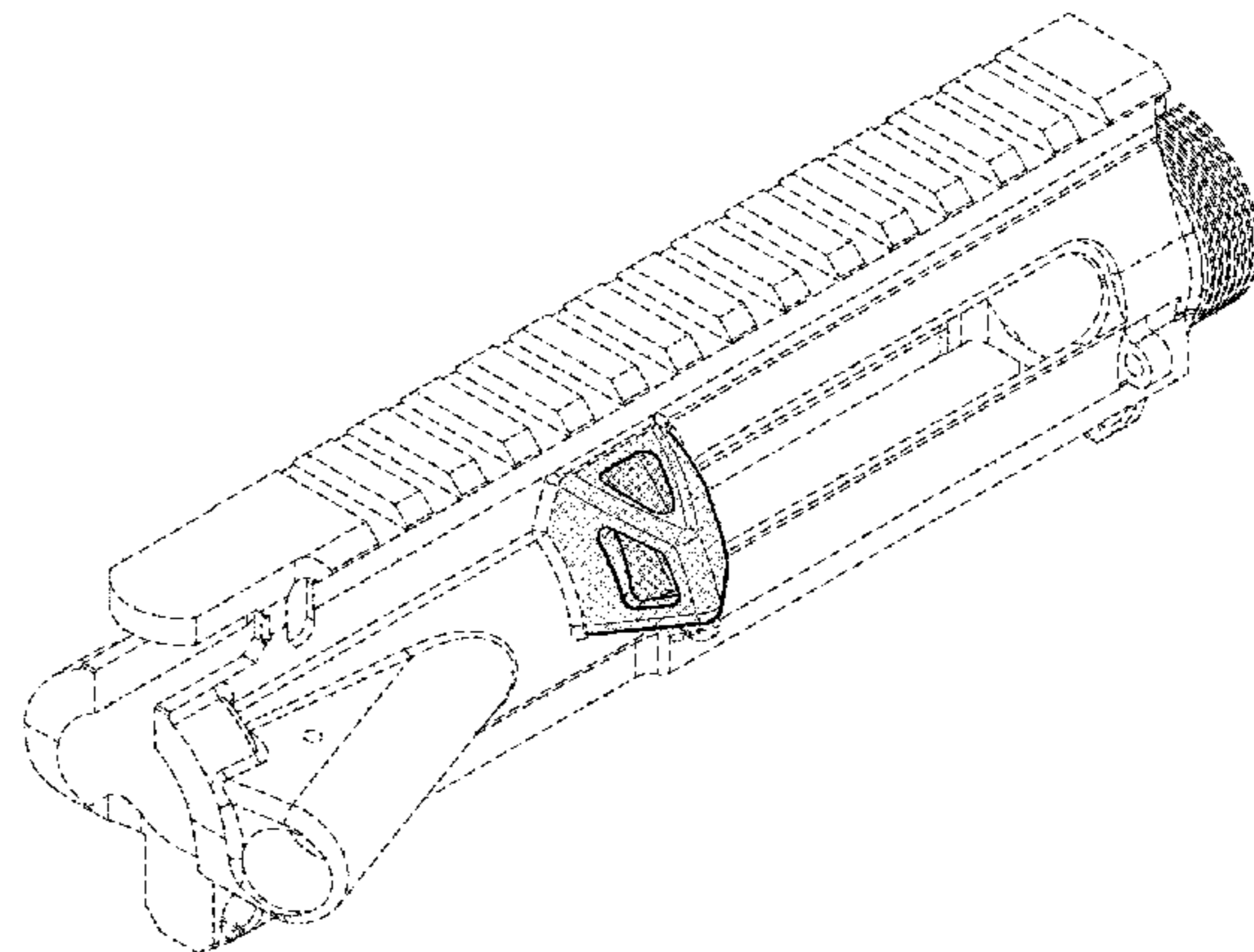
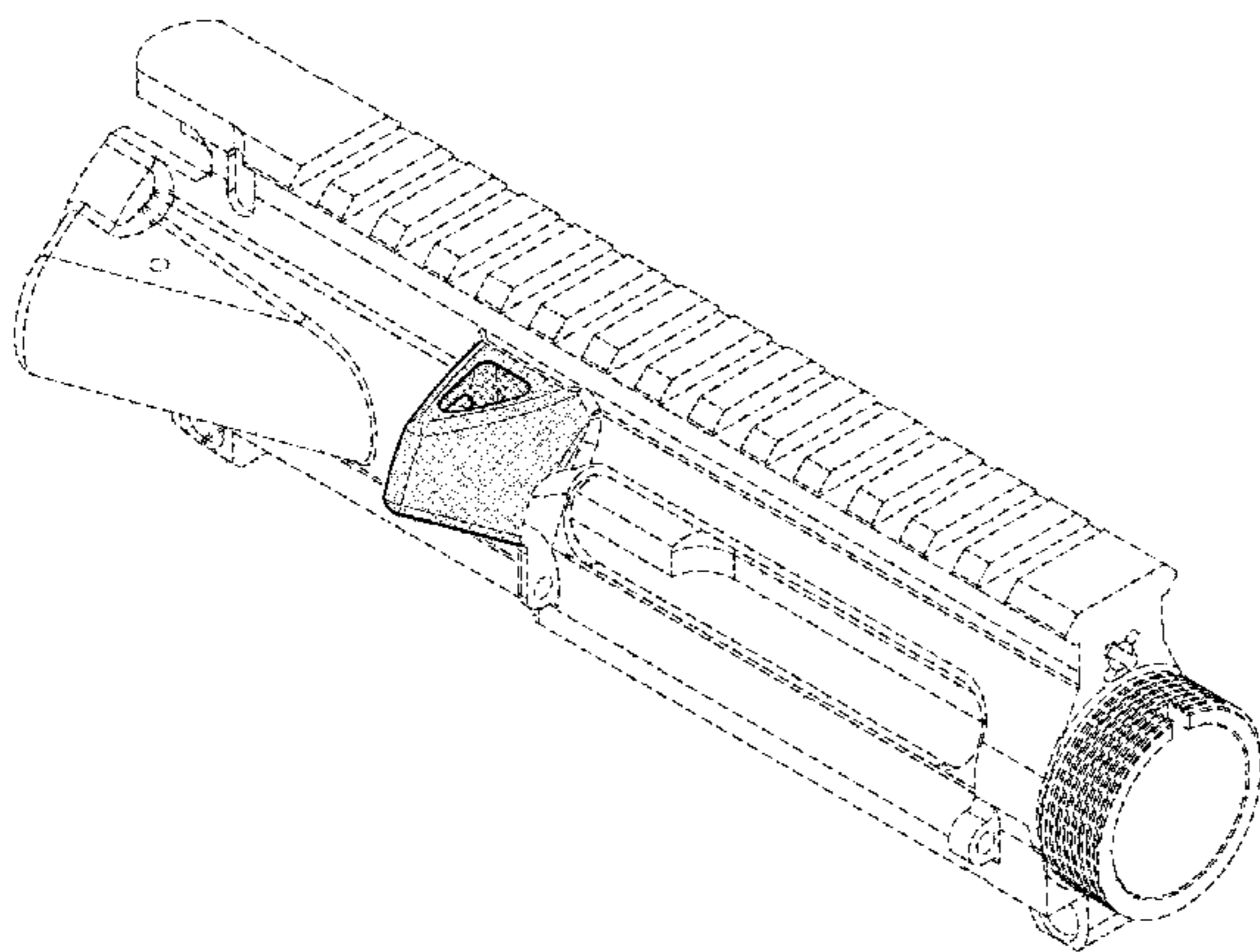
(57) **CLAIM**

The ornamental design for a shell deflector for upper receiver, as shown and described.

**DESCRIPTION**

FIG. 1 is a top front isometric view of the shell deflector for upper receiver of the present invention; FIG. 2 is a top rear isometric view of the invention of FIG. 1; FIG. 3 is a bottom front isometric view of the invention of FIG. 1; FIG. 4 is a bottom rear isometric view of the invention of FIG. 1; FIG. 5 is a left side elevation view of the invention of FIG. 1; FIG. 6 is a top plan view of the invention of FIG. 1; FIG. 7 is a bottom plan view of the invention of FIG. 1; FIG. 8 is a front view of the invention of FIG. 1; and, FIG. 9 is a rear view of the invention of FIG. 1. The broken dash lines are for illustrative purposes only. Neither the portions outside of the broken dash lines nor the broken dash lines themselves forms any part of the claimed invention.

**1 Claim, 8 Drawing Sheets**



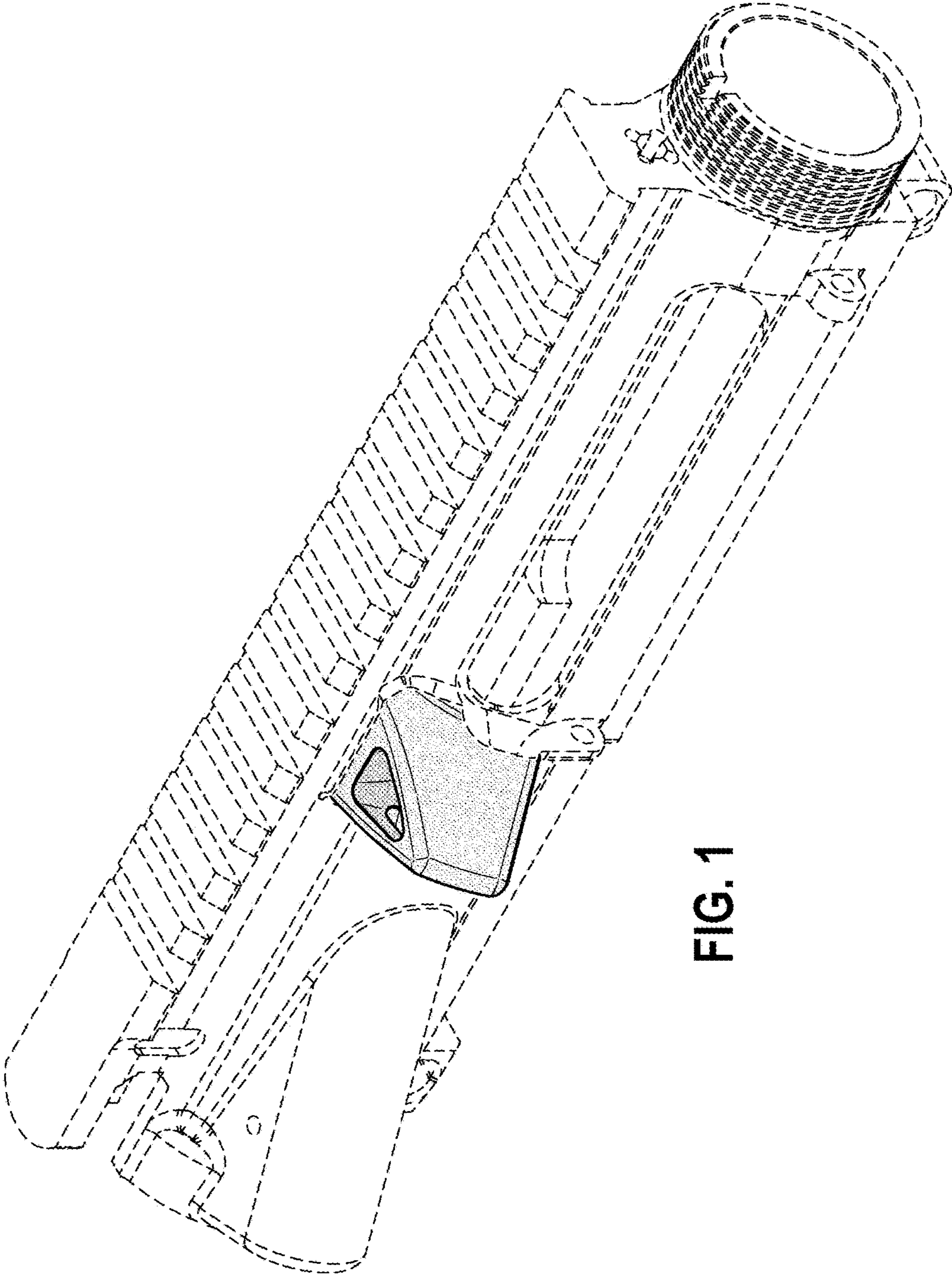


FIG. 1

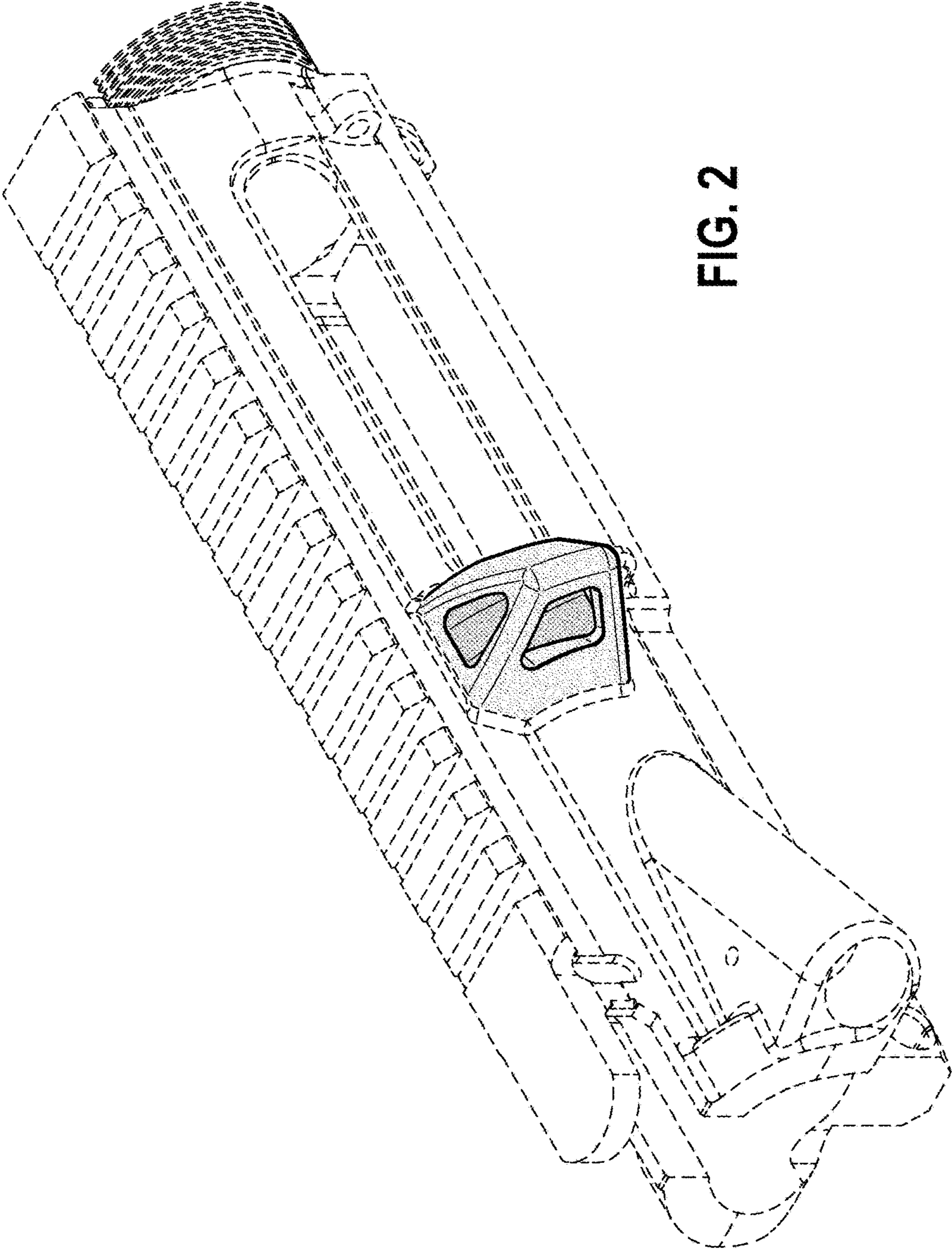


FIG. 2

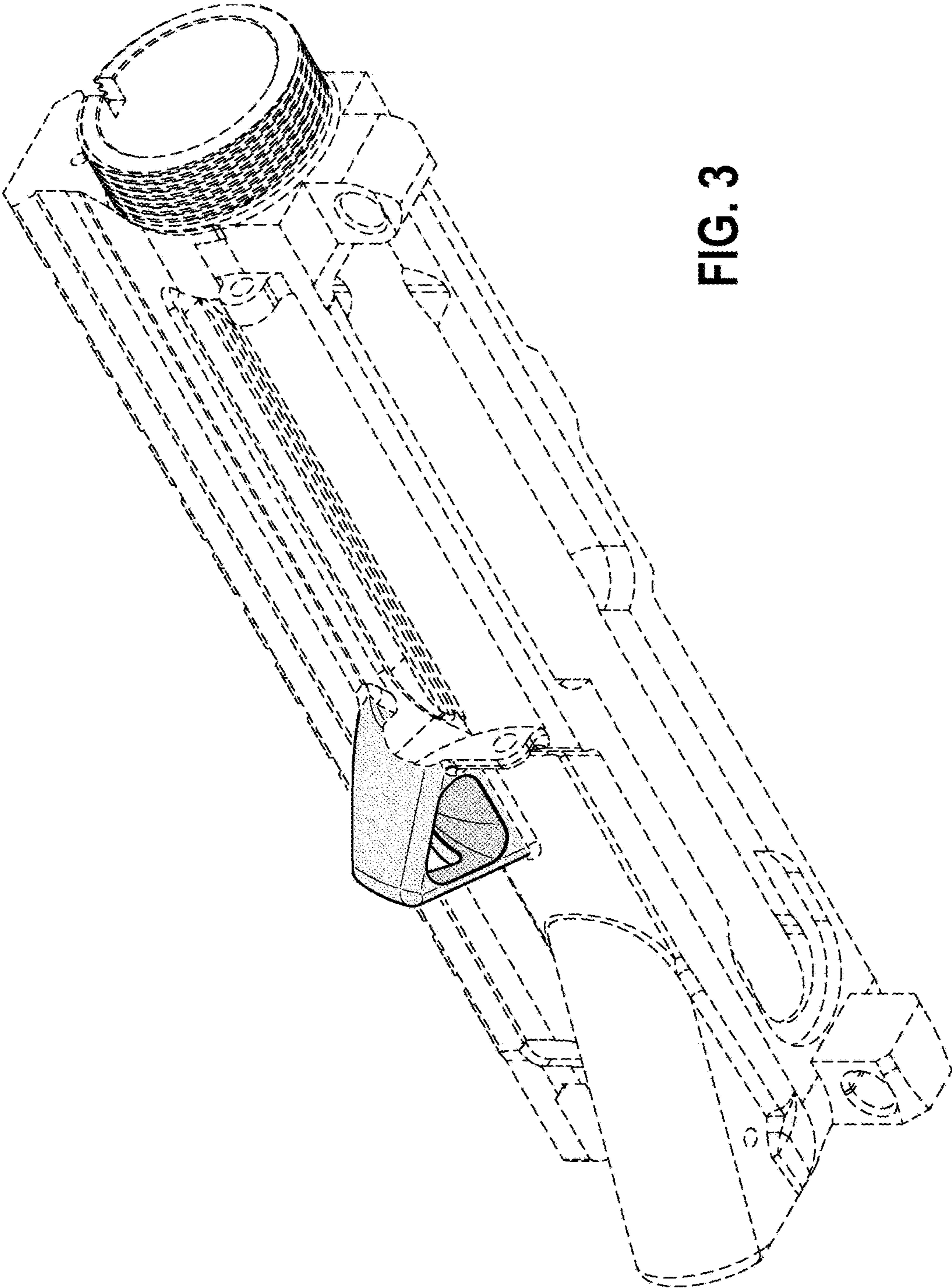


FIG. 3

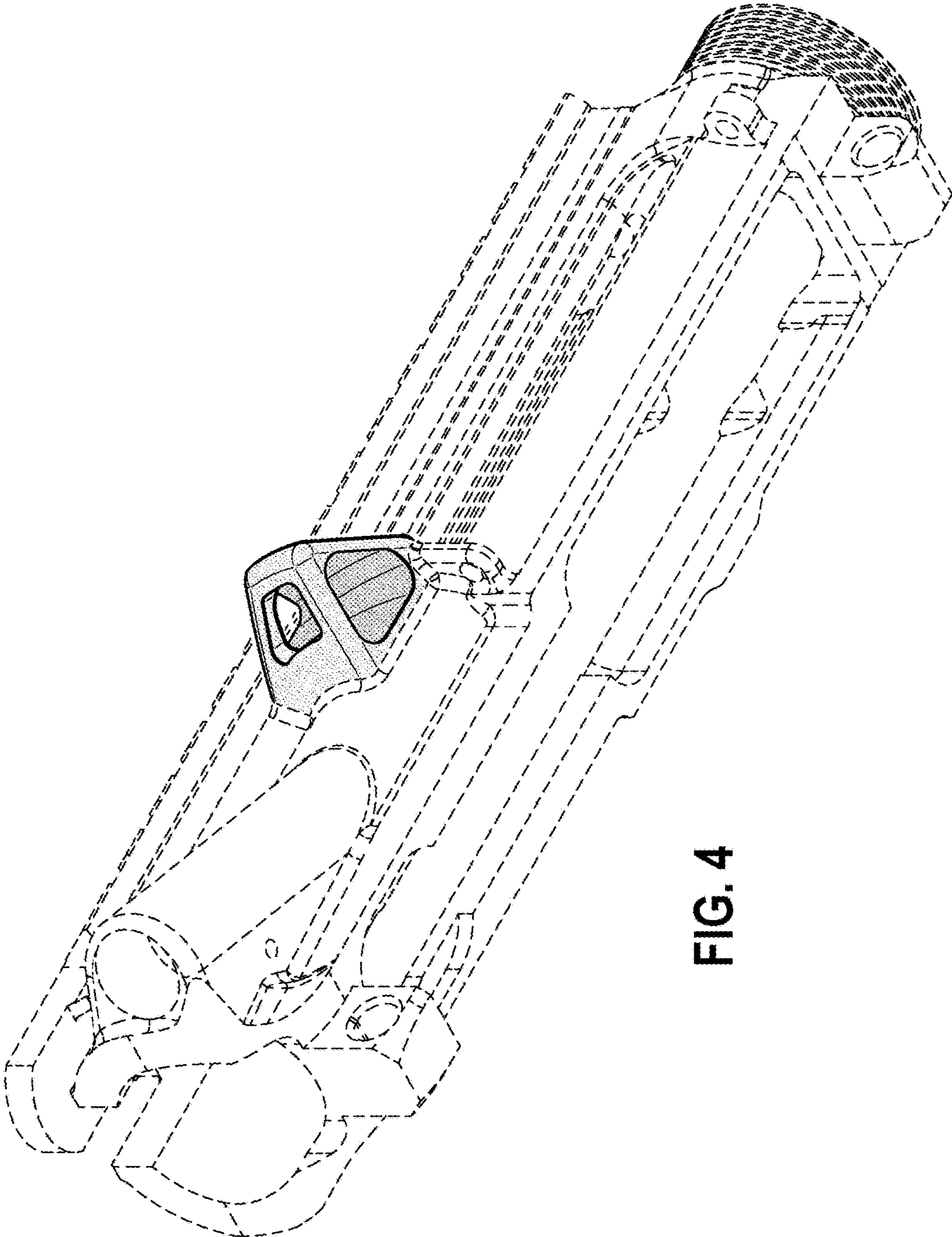


FIG. 4

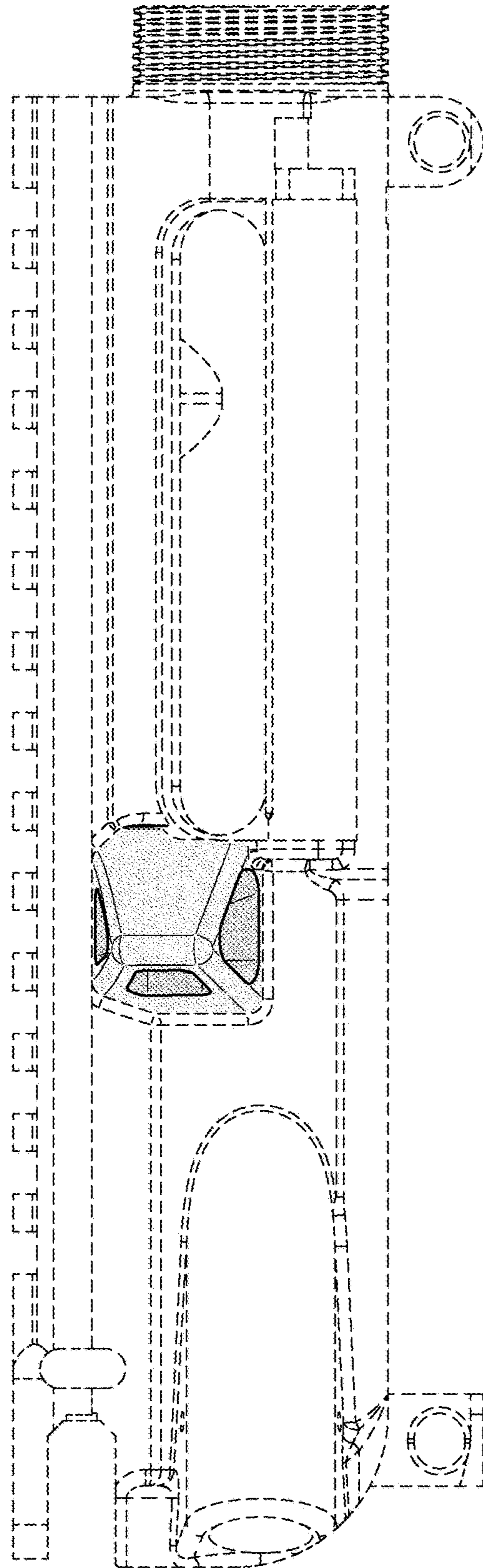


FIG. 5

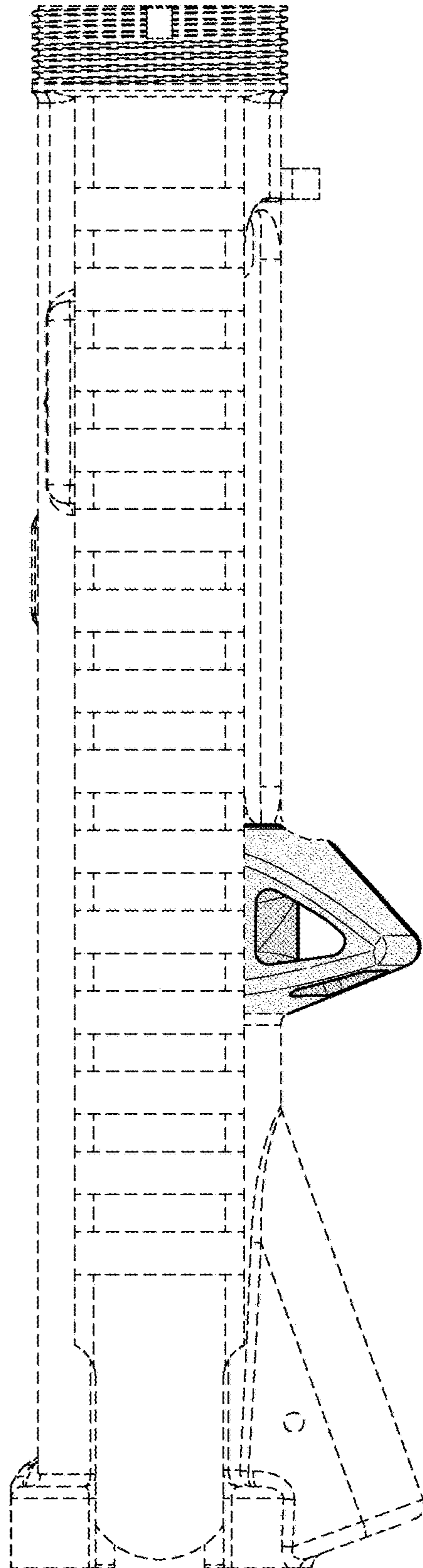


FIG. 6

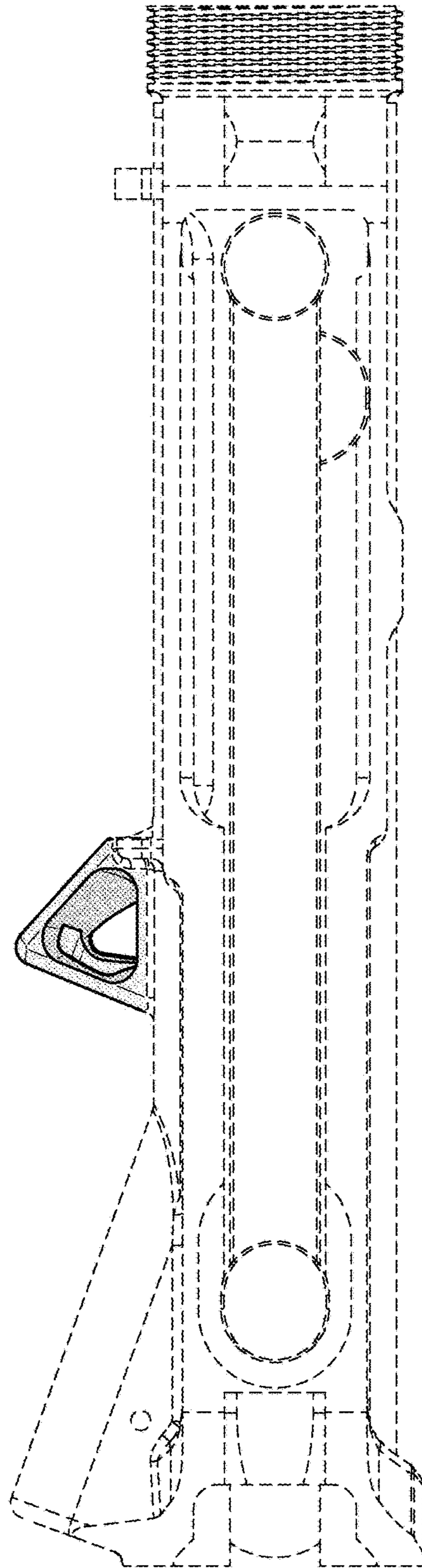


FIG. 7



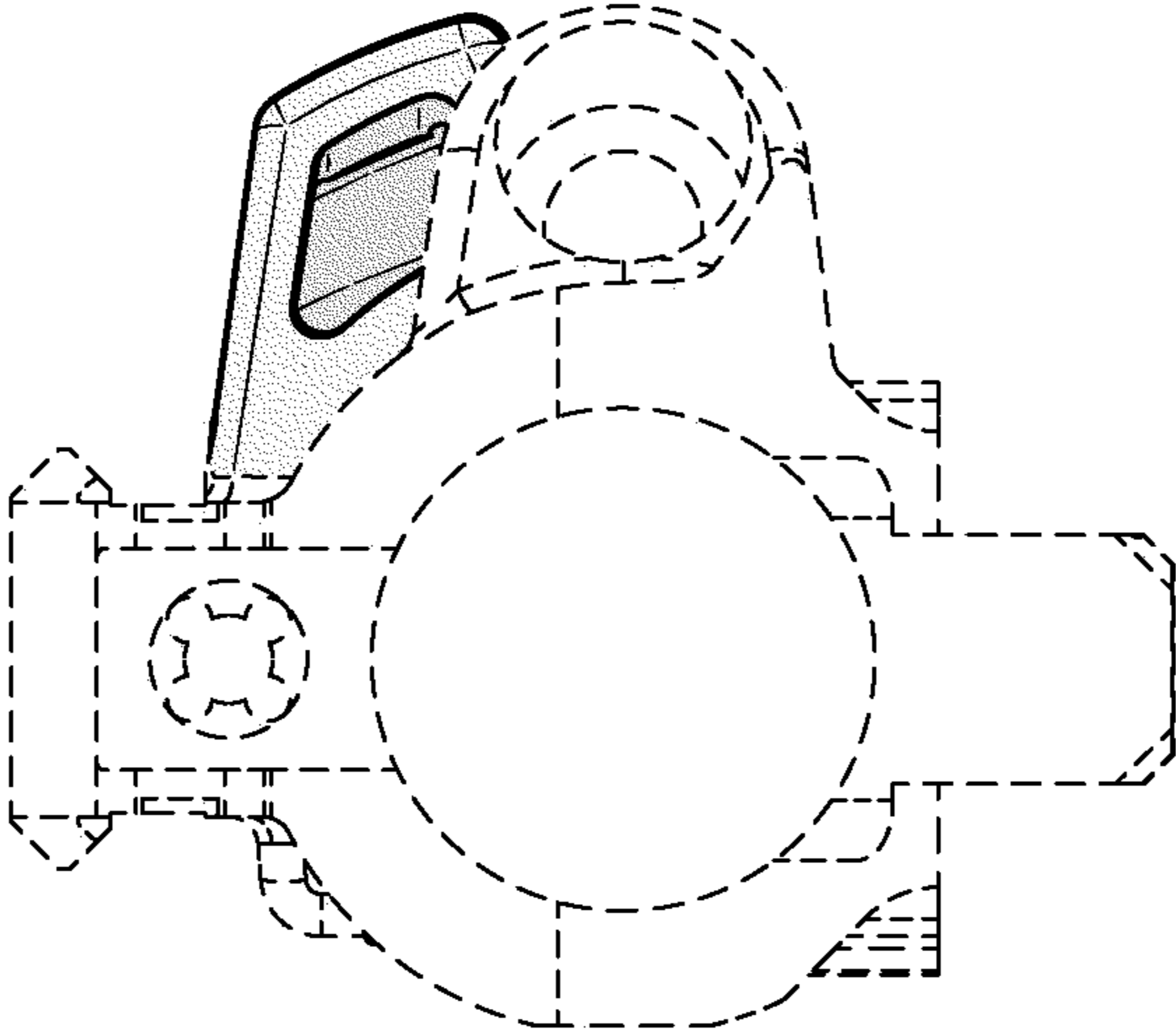


FIG. 9

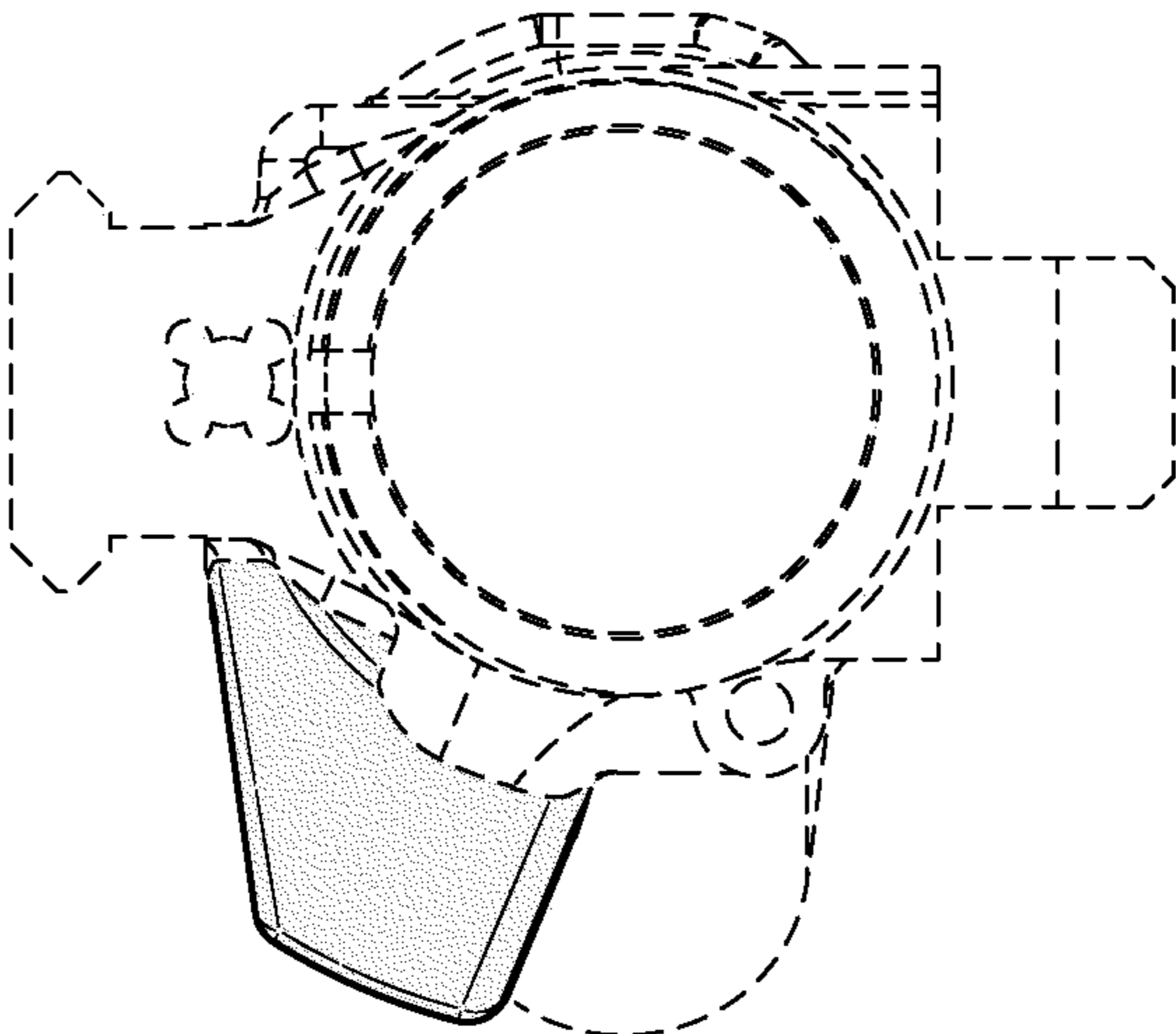


FIG. 8