



US00D818554S

(12) **United States Design Patent** (10) **Patent No.:** **US D818,554 S**
Hefer et al. (45) **Date of Patent:** **** May 22, 2018**

(54) **MAGAZINE LOADER**

(71) Applicant: **Vista Outdoor Operations LLC**,
Clearfield, UT (US)

(72) Inventors: **Brandon T. Hefer**, St. Louis, MO
(US); **Brandon K. Trostrud**, St. Louis,
MO (US)

(73) Assignee: **Vista Outdoor Operations LLC**,
Farmington, UT (US)

2,493,048 A 1/1950 Wangrow
 2,514,277 A 7/1950 Donallan
 2,531,387 A 11/1950 Bilodeau
 2,659,173 A 11/1953 Capito
 2,783,570 A 3/1957 Kunz
 2,803,985 A 8/1957 Hull
 2,830,498 A 4/1958 Maillard
 2,834,137 A 5/1958 Kunz
 2,856,720 A 10/1958 Kunz
 2,862,324 A 12/1958 Ball
 2,885,811 A 5/1959 Womble, Jr.
 2,887,811 A 5/1959 Johnson, Jr.
 3,045,525 A 7/1962 Stadelmann

(Continued)

(**) Term: **15 Years**

(21) Appl. No.: **29/571,879**

(22) Filed: **Jul. 22, 2016**

(51) **LOC (11) Cl.** **22-01**

(52) **U.S. Cl.**
USPC **D22/108**

(58) **Field of Classification Search**
USPC D22/108
CPC F41A 9/83; F41A 9/82
See application file for complete search history.

(56) **References Cited**

U.S. PATENT DOCUMENTS

1,786,537 A	12/1930	Holek
1,840,477 A	1/1932	Frommer
2,014,177 A	9/1935	Herlach et al.
2,137,491 A	11/1938	Huff
2,191,130 A	2/1940	Ludwig
2,210,931 A	8/1940	Harris
2,345,593 A	4/1944	Garand
2,362,109 A	11/1944	Whitmore
2,394,033 A	2/1946	Wossum
2,403,012 A	7/1946	McPheters
2,451,521 A	10/1948	Uglum
2,452,600 A	11/1948	Pool et al.
2,462,836 A	3/1949	Barker et al.
2,466,017 A	4/1949	Farber

Primary Examiner — Michael A. Pratt

(74) *Attorney, Agent, or Firm* — Christensen, Fonder,
Dardi & Herbert PLLC

(57) **CLAIM**

We claim the ornamental design for a magazine loader, as shown and described.

DESCRIPTION

FIG. 1 is a front, right, top perspective view of the magazine loader.

FIG. 2 is a front elevation view of the magazine loader of FIG. 1.

FIG. 3 is a rear elevation view of the magazine loader of FIG. 1.

FIG. 4 is a left side view of the magazine loader of FIG. 1.

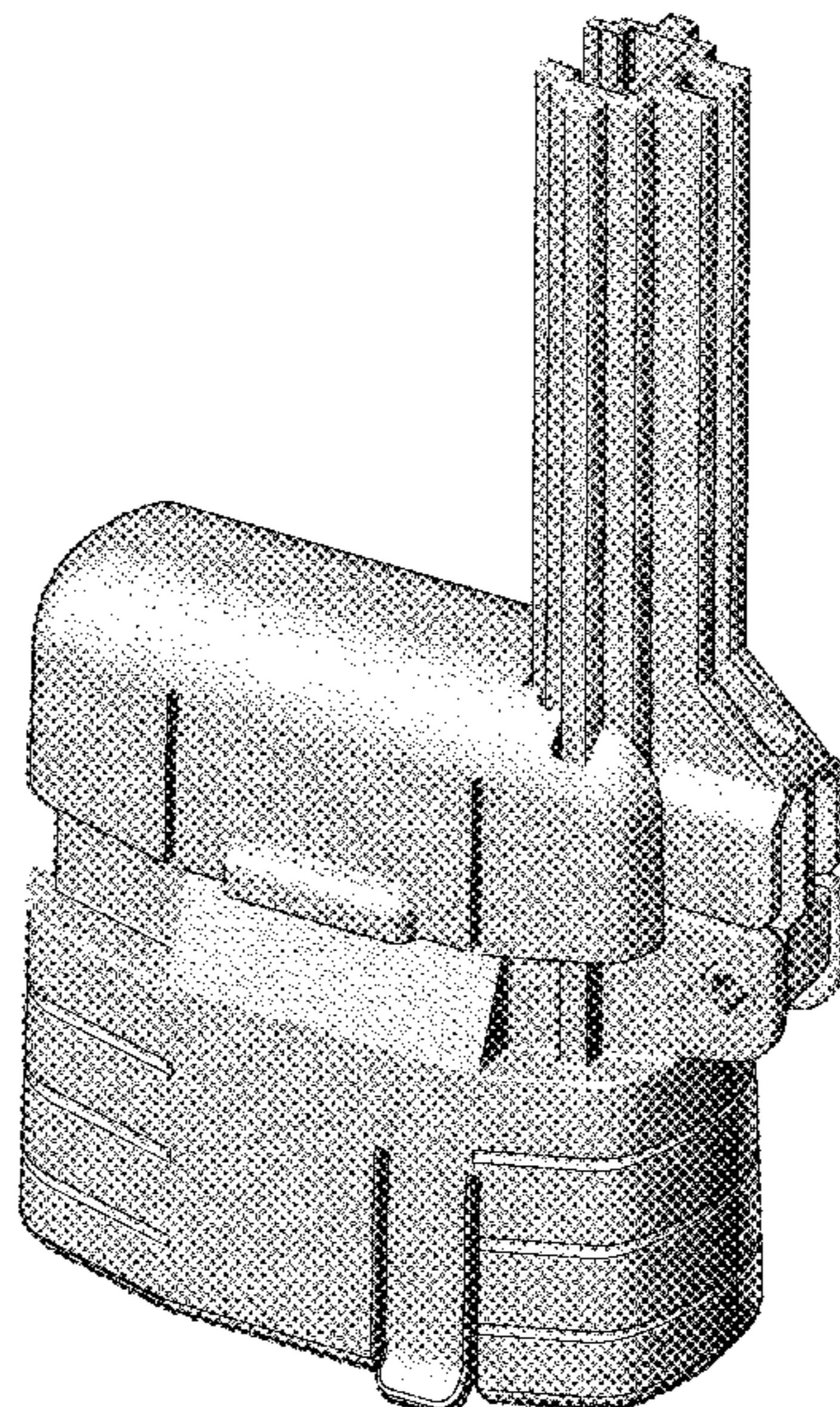
FIG. 5 is a right side view of the magazine loader of FIG. 1.

FIG. 6 is a top plan view of the magazine loader of FIG. 1; and,

FIG. 7 is a bottom plan view of the magazine loader of FIG. 1.

Broken lines shown in the drawings illustrate the environment of the claimed design and form no part of the claimed design.

1 Claim, 7 Drawing Sheets



(56)

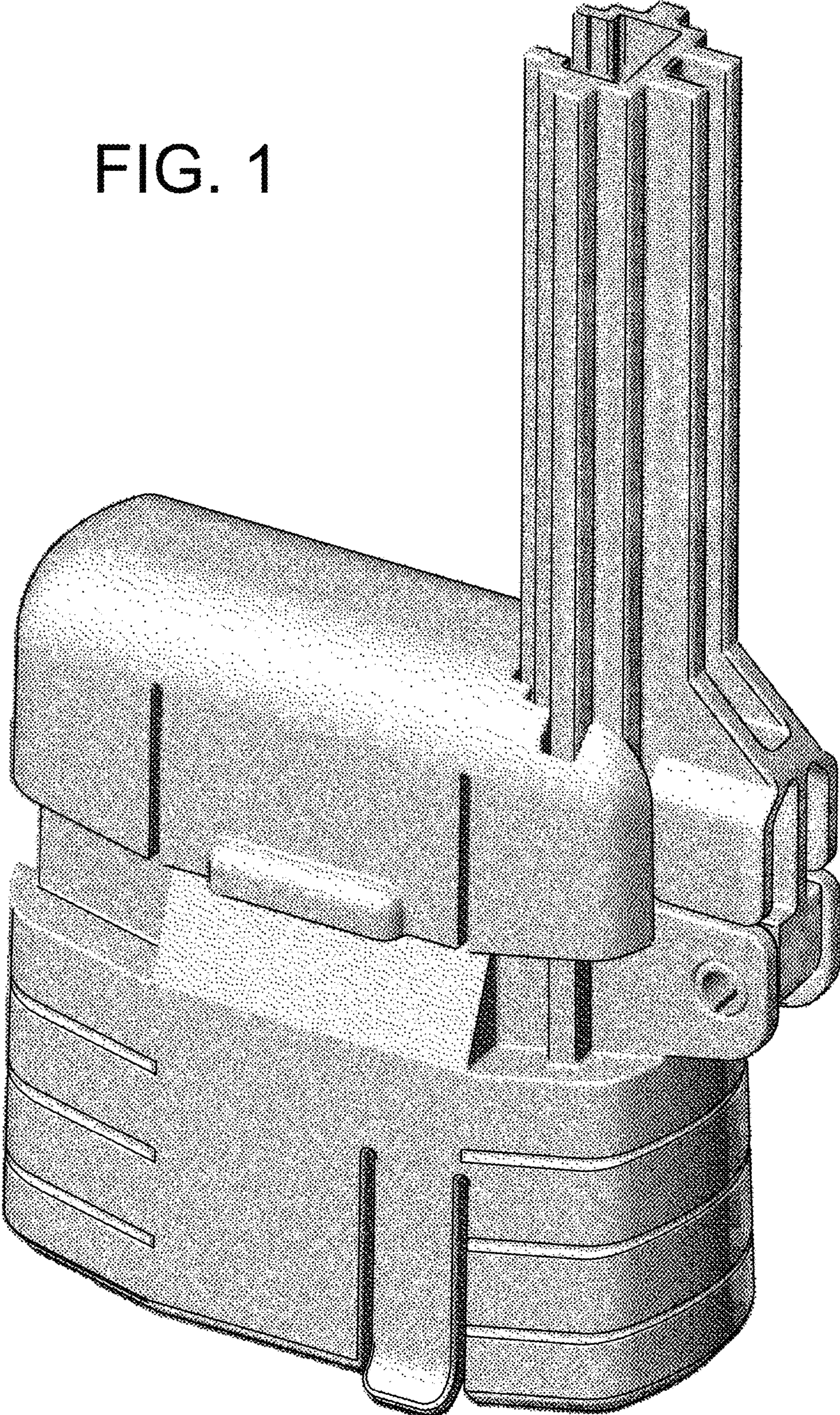
References Cited

U.S. PATENT DOCUMENTS

3,509,655 A	5/1970	Wilhelm	6,810,616 B2	11/2004	Tal et al.
3,526,028 A	9/1970	Winch	6,817,134 B2	11/2004	Newman
3,710,497 A	1/1973	Musgrave	7,059,077 B2	6/2006	Tal et al.
3,789,531 A	2/1974	Kersten	7,257,919 B1	8/2007	Farley
3,854,232 A	12/1974	Musgrave	7,383,657 B2	6/2008	Pikielny
3,939,590 A	2/1976	Musgrave	7,487,613 B2	2/2009	Taylor
3,991,501 A	11/1976	Larsson	7,503,138 B2	3/2009	Tal et al.
4,152,857 A	5/1979	Ketterer	D604,792 S	11/2009	Stanley
4,291,483 A	9/1981	Musgrave	7,637,048 B2	12/2009	Tal et al.
4,304,062 A	12/1981	Pepe et al.	7,805,874 B2 *	10/2010	Tal F41A 9/84 42/87
4,352,254 A	10/1982	Peter et al.	8,065,830 B2	11/2011	Twardy
4,392,321 A	7/1983	Bosworth	8,234,810 B2	8/2012	Lee, III
4,425,834 A	1/1984	Lohmann	8,356,441 B2	1/2013	Meinel
4,452,002 A	6/1984	Musgrave	8,453,366 B2	6/2013	Gray
4,464,855 A	8/1984	Musgrave	8,484,874 B2	7/2013	Kim
4,488,371 A	12/1984	Boyles	D697,999 S *	1/2014	Firment D22/108
4,538,371 A	9/1985	Howard	D700,266 S	2/2014	Tal et al.
D282,680 S	2/1986	Boyles	8,650,792 B1	2/2014	Overmars
4,570,371 A	2/1986	Mears	8,726,561 B1	5/2014	Hampton
4,574,511 A	3/1986	Csongor	8,915,007 B1	12/2014	Williams
4,614,052 A	9/1986	Brown et al.	8,931,199 B1	1/2015	Cauley, Jr. et al.
4,688,344 A	8/1987	Kim	D728,065 S	4/2015	Tal et al.
4,689,909 A	9/1987	Howard	9,003,687 B2	4/2015	Cauley, Jr. et al.
4,706,402 A	11/1987	Csongor	9,057,570 B1	6/2015	Tal et al.
4,707,941 A	11/1987	Eastman	9,091,500 B1	7/2015	Kim
4,719,715 A	1/1988	Howard	9,115,943 B1	8/2015	Jordan
4,736,667 A	4/1988	Kochevar et al.	9,182,185 B2	11/2015	Hatch
4,739,572 A	4/1988	Brandenburg	9,212,859 B1	12/2015	Tal et al.
D300,549 S	4/1989	Crow	9,239,198 B2	1/2016	McPhee
4,827,651 A	5/1989	Conkey	9,273,917 B1	3/2016	Buckner
4,829,693 A	5/1989	Holmes	D753,781 S *	4/2016	Cauley, Jr. D22/108
4,872,279 A	10/1989	Boat	9,303,934 B1	4/2016	Kazsuk
4,879,829 A	11/1989	Miller et al.	D755,325 S	5/2016	Cauley, Jr. et al.
4,888,902 A	12/1989	Knowles	D770,588 S *	11/2016	Cauley, Jr. D22/108
4,939,862 A	7/1990	Brandenburg et al.	D790,030 S *	6/2017	Ulbrich D22/108
4,949,495 A	8/1990	Mari	9,772,152 B1 *	9/2017	Niccum F41A 9/82
4,970,820 A	11/1990	Miller et al.	D799,632 S *	10/2017	Ulbrich D22/108
4,993,180 A	2/1991	Upchurch	2003/0046854 A1	3/2003	Urchek
5,074,070 A	12/1991	Kuykendall	2003/0226306 A1	12/2003	Hines
5,129,173 A	7/1992	Kuykendall	2004/0159035 A1	8/2004	Newman
5,249,386 A	10/1993	Switzer	2007/0137086 A1	6/2007	Price
5,301,449 A	4/1994	Jackson	2012/0192477 A1	8/2012	Kim
5,355,606 A	10/1994	Origoni	2012/0222343 A1	9/2012	Kim
5,377,436 A	1/1995	Switzer	2013/0061505 A1	3/2013	Faifer
5,402,594 A	4/1995	Switzer	2013/0232843 A1	9/2013	Bajuelo
5,417,003 A	5/1995	Claveau	2014/0033592 A1	2/2014	Fiorucci
D370,518 S *	6/1996	Haywood D22/108	2014/0223792 A1	8/2014	Socivoi
5,669,171 A	9/1997	Sally	2014/0298704 A1 *	10/2014	Niccum F41A 9/83 42/87
D423,628 S *	4/2000	Smart D22/100	2014/0311008 A1	10/2014	McPhee
6,178,683 B1	1/2001	Williams	2015/0316341 A1	11/2015	Aguilar
6,189,254 B1	2/2001	Steitz	2015/0377573 A1 *	12/2015	Niccum F41A 9/83 42/87
6,219,953 B1	4/2001	Bentley	2016/0025437 A1	1/2016	Slocum
6,286,243 B1	9/2001	Hinton	2016/0102932 A1	4/2016	Cobb
D477,047 S	7/2003	Springer	2017/0051992 A1 *	2/2017	Cottrell F41A 9/83
6,678,985 B2	1/2004	Pikula	2017/0328658 A1 *	11/2017	Butler F41A 9/64
6,807,764 B1	10/2004	Phillips			

* cited by examiner

FIG. 1



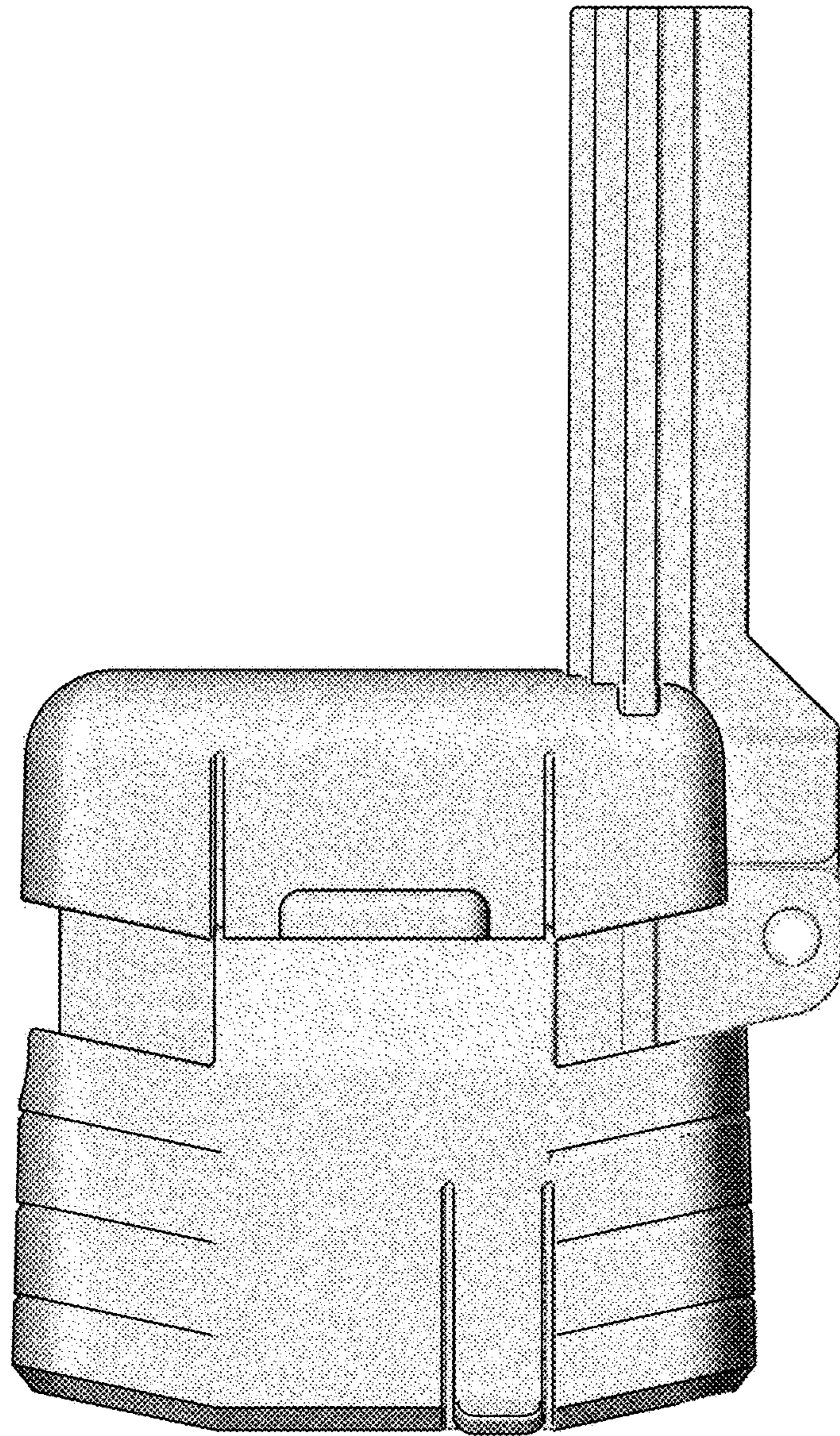


FIG. 2

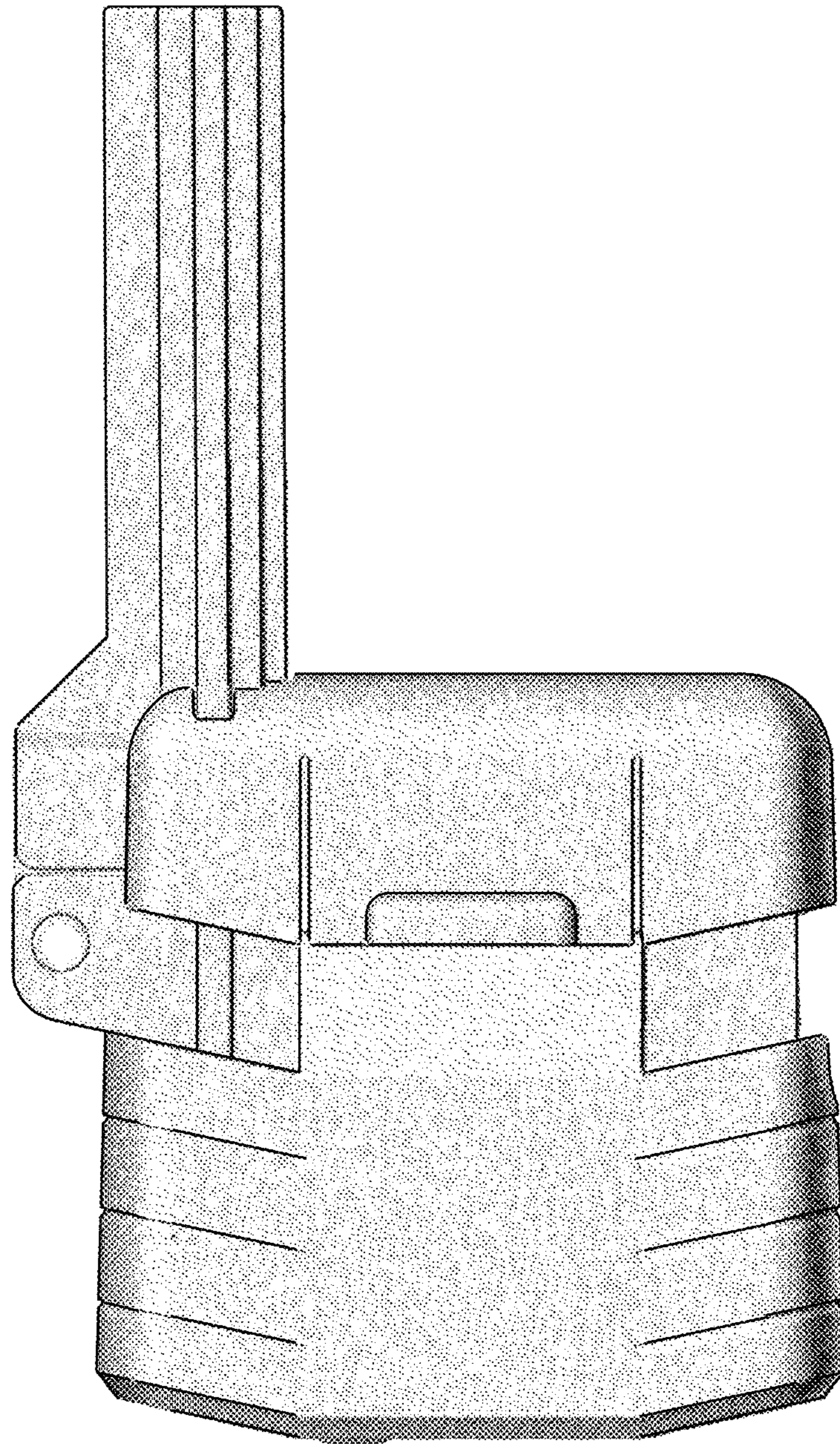


FIG. 3

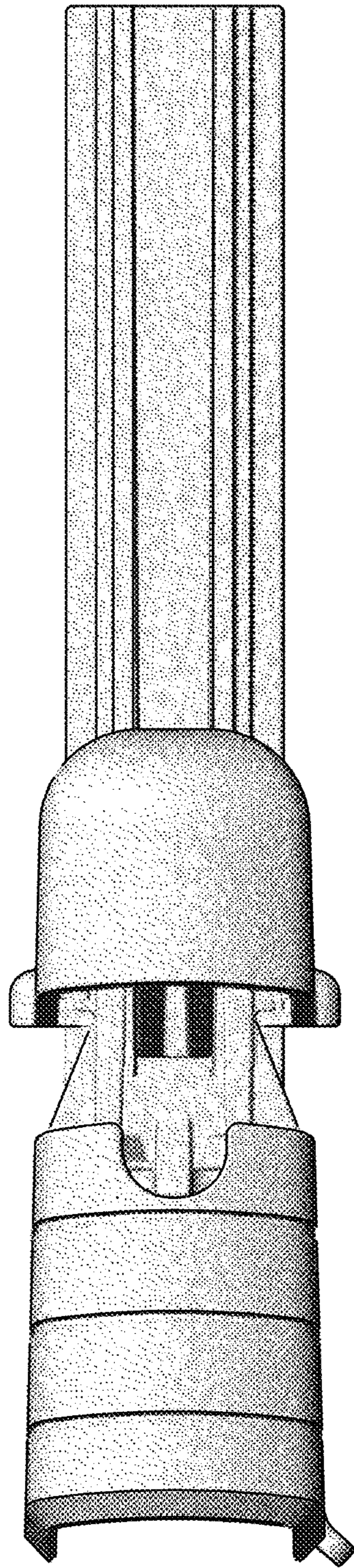


FIG. 4

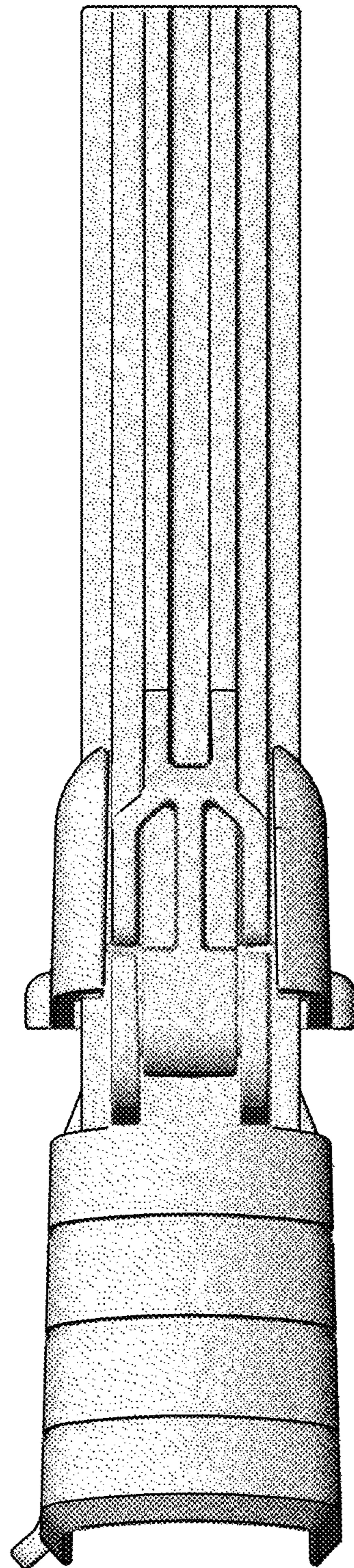


FIG. 5

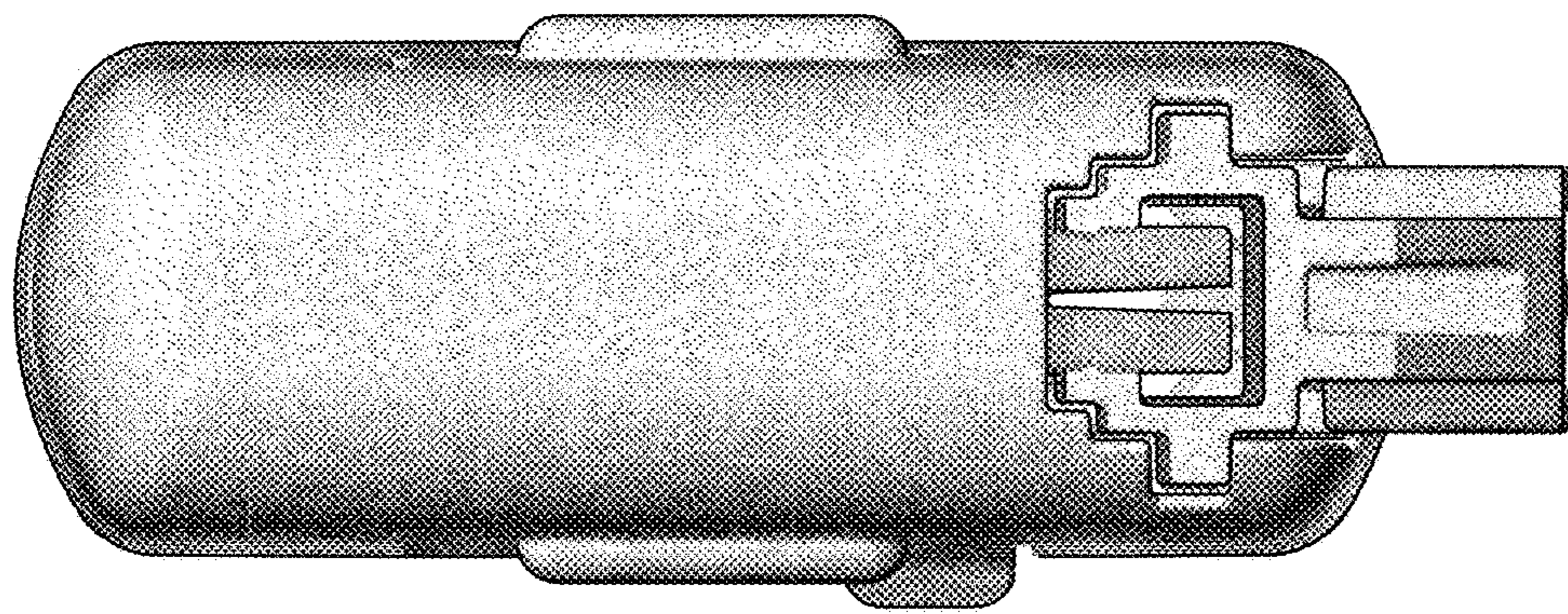


FIG. 6

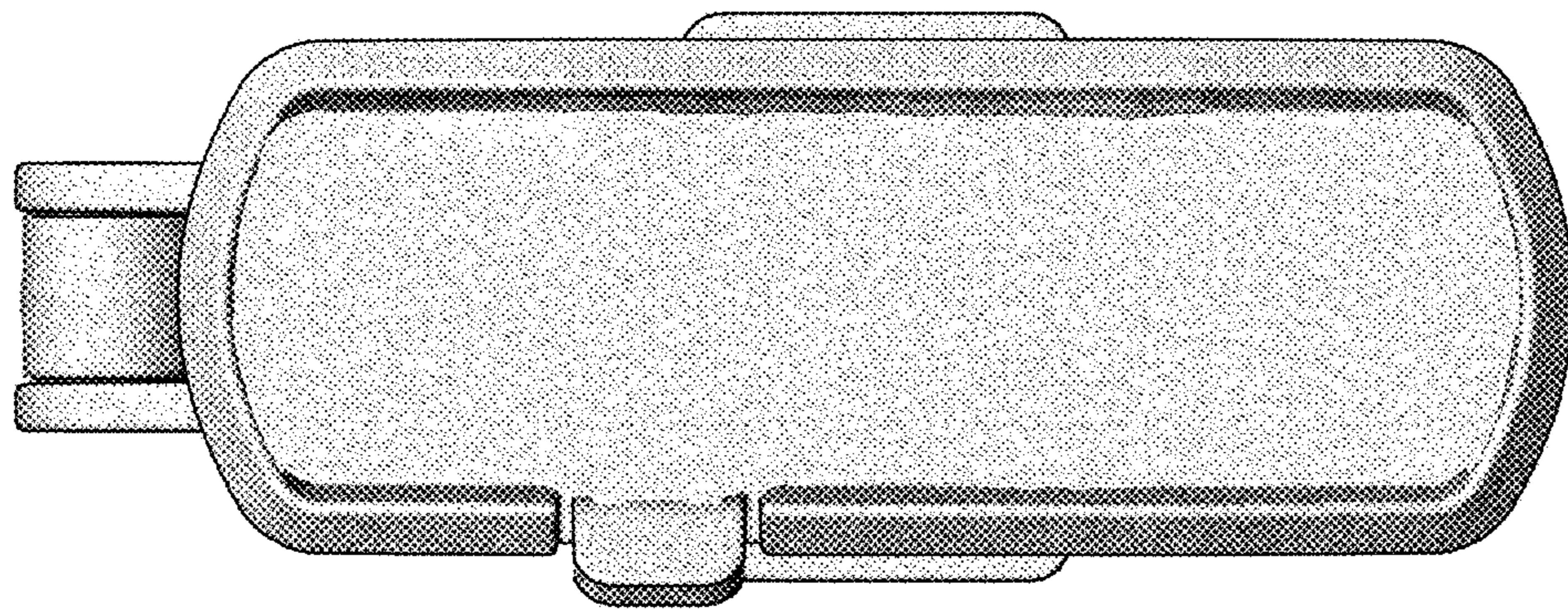


FIG. 7